



Workshop Manual

e-up! 2014 ➤

e-up! 2017 ➤

up! 2012 ➤

up! 2017 ➤

Wheels and Tyres Guide

Edition 11.2018





List of Workshop Manual Repair Groups

Repair Group

44 - Wheels, tyres, vehicle geometry



Technical information should always be available to the foremen and mechanics, because their careful and constant adherence to the instructions is essential to ensure vehicle road-worthiness and safety. In addition, the normal basic safety precautions for working on motor vehicles must, as a matter of course, be observed.

All rights reserved.
No reproduction without prior agreement from publisher.



Contents

44 - Wheels, tyres, vehicle geometry	1
1 General information	1
2 Version key, D2	2
2.1 Version key (D2) type approval No.: e13*2007/46*1167*00 to e13*2007/46*1167*21	2
2.2 Version key (D2) as of type approval number e13*2007/46*1167*22	2
3 Wheels, tyres	4
3.1 Specified torques for wheel bolts	4
4 Wheel and tyre combinations according to NEDC (without tyre package)	5
4.1 up! - model year 2012 to model year 2013 (sales type 121)	5
4.2 up! - from model year 2014 (sales type 121)	6
4.3 up! BlueMotion Technology - from model year 2012 (sales type 121)	8
4.4 Cross-up! - from model year 2014 (sales type 121)	9
4.5 e-up! - from model year 2014 (sales type BL1)	11
5 Wheel and tyre combinations according to NEDC (based on tyre package)	13
5.1 Type approval no. (K): 13*2007/46*1167*13	13
5.2 Type approval No. (K): 13*2007/46*1167*14 to 13*2007/46*1167*16	14
5.3 Type approval No. (K): 13*2007/46*1167*17 to 13*2007/46*1167*20	15
5.4 Type approval no. (K): 13*2007/46*1167*21	16
5.5 Changing to other wheel and tyre combinations	17
6 Wheel and tyre combinations according to WLTP (without tyre package)	18
6.1 Type approval no. (K): 13*2007/46*1167*20	18
6.2 Type approval no. (K): 13*2007/46*1167*21	18
6.3 Type approval no. (K): 13*2007/46*1167*22	20
7 Wheel allocation	22
7.1 5 J x 14	22
7.2 5 J x 15 offset 33	22
7.3 5 J x 15 offset 35	23
7.4 5.5 J x 15 offset 41	24
7.5 6 J x 16 offset 39	26
7.6 6 J x 16 offset 43	27
7.7 61/2 J x 17 offset 39	28
7.8 61/2 J x 17 offset 43	29
8 Recommended summer tyres	30
8.1 Recommended summer tyres, worldwide except North America, China, Japan, Tahiti, New Caledonia	30
8.2 Recommended summer tyres, Japan	30
8.3 Recommended summer tyres, Tahiti, New Caledonia	31
9 Recommended all-season tyres, worldwide except North America and China	32
10 Recommended winter tyres, worldwide except North America and China	33





44 – Wheels, tyres, vehicle geometry

1 General information

(VRL012481; Edition 11.2018)

- Instructions on how to use the guide ⇒ Wheels and Tyres Guide - General Information; Rep. gr. 44 ; Instructions on using the guide
- Tyre package definition ⇒ Wheels and Tyres Guide - General Information; Rep. gr. 44 ; Instruction on using the guide; Tyre package definition

NOTICE

- ◆ As of type approval number (K): 13*2007/46*1167*20, wheel and tyre combinations can be listed according to their corresponding tyre package as well as based on their allocation to the respective engine (without tyre package). This is due to implementation of a new, unified test procedure for determination of fuel consumption and exhaust emissions WLTP (Worldwide Harmonized Light Vehicles Test Procedure).
- ◆ Please first check which type of allocation applies for the vehicle.
- ◆ Allocation of wheel and tyre combinations according to NEDC (based on tyre package) ⇒ [page 13](#) .
- ◆ Allocation of wheel and tyre combinations according to WLTP (without tyre package) ⇒ [page 18](#) .
- ◆ Explanations regarding NEDC and WLTP ⇒ Wheels and Tyres Guide - General Information; Rep. gr. 44 ; Instructions on using the guide; NEDC, WLTP and RDE



2 Version key, D2

⇒ **“2.1 Version key (D2) type approval No.: e13*2007/46*1167*00 to e13*2007/46*1167*21”, page 2**

⇒ **“2.2 Version key (D2) as of type approval number e13*2007/46*1167*22”, page 2**

2.1 Version key (D2) type approval No.: e13*2007/46*1167*00 to e13*2007/46*1167*21

⇒ Wheels and Tyres Guide - General information; Rep. gr. 44 ; Instructions on use of guide; Registration document part 1

◆ The last two digits of the version key ⇒ **page 2** indicate the required tyre package. The tyre package indicated in the version key in the vehicle registration certificate part 1 is binding.

Example:

1.0l/44 kW engine – Specification as per version key in the vehicle registration certificate part 1: tyre package 61, i.e. only these wheel and tyre combinations are permitted for this vehicle and correspond to the type approval number.

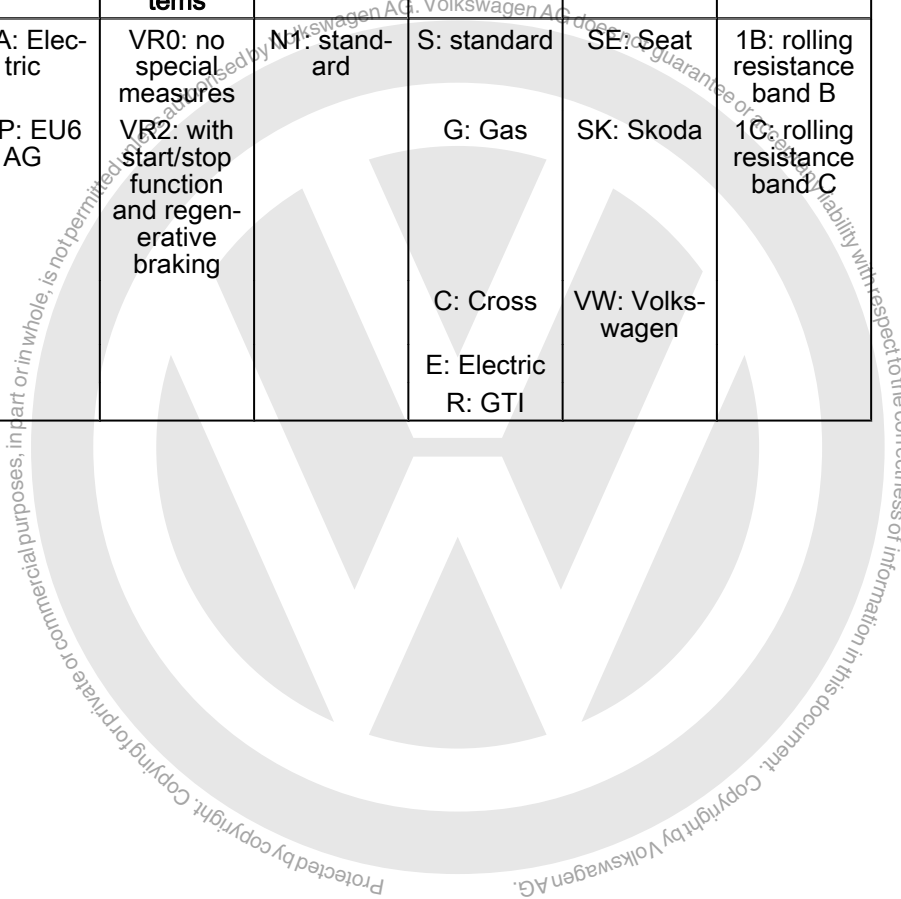
XXX	XXXXXXX X	XXX	XXX	XX	X	XX	XX
Code for gearbox type	Code for gearbox	Code for emissions standard	Code for fuel-efficiency systems	Code for running gear	Code for vehicle model	Code for manufacturer	Code for tyre package
FA1	FM5CF010 FA1CZ002	7MM: EU6 plus	VR0: no special measures	N1: standard	S: standard	SE: Seat	61
FS5	FS5CT008 FS5CT009	0GA: Electric	VR2: with start/stop function and regenerative braking		G: Gas	SK: Skoda	62
FM5	FM5DF004 FM5CF011	7CP: EU6 AG			C: Cross	VW: Volkswagen	63
FM6	FM6DQ003				E: Electric R: GTI		1B: rolling resistance band B 1C: rolling resistance band C

2.2 Version key (D2) as of type approval number e13*2007/46*1167*22

⇒ Wheels and Tyres Guide - General information; Rep. gr. 44 ; Instructions on use of guide; Registration document part 1



XXX	XXXXXXX X	XXX	XXX	XX	X	XX	XX
Code for gearbox type	Code for gearbox	Code for emissions standard	Code for fuel-efficiency systems	Code for running gear	Code for vehicle model	Code for manufacturer	Code for tyre package
FA1	FM5CF010 FA1CZ002	0GA: Electric	VR0: no special measures	N1: standard	S: standard	SE: Seat	1B: rolling resistance band B
FS5	FM5DF004 FM5CF011	7CP: EU6 AG	VR2: with start/stop function and regenerative braking		G: Gas	SK: Skoda	1C: rolling resistance band C
FM5	FM6DQ003				C: Cross	VW: Volkswagen	
FM6					E: Electric R: GTI		





3 Wheels, tyres

⇒ **“3.1 Specified torques for wheel bolts”, page 4**

Vehicles with breakdown set ⇒ **Wheels and Tyres Guide - General Information; Rep. gr. 44 ; Tyre sealant; Vehicles with breakdown set**

Pressing tyre off wheel rim ⇒ **Wheels and Tyres Guide - General Information; Rep. gr. 44 ; Fitting tyres; Pressing tyre off wheel rim**

Removing tyres ⇒ **Wheels and Tyres Guide - General Information; Rep. gr. 44 ; Fitting tyres; Removing tyres**

Installing tyres ⇒ **Wheels and Tyres Guide - General Information; Rep. gr. 44 ; Fitting tyres; Installing tyres**

Changing wheels ⇒ **Wheels and Tyres Guide - General information; Rep. gr. 44 ; Wheel change**

Disposing of tyre sealant ⇒ **Wheels and Tyres Guide - General Information; Rep. gr. 44 ; Fitting tyres**

3.1 Specified torques for wheel bolts

Special tools and workshop equipment required

- ◆ Torque wrench - V.A.G 1332-



Wheel bolt to wheel hub for all vehicles:

Specified torque: 110 Nm

- Before fitting wheel, protect wheel centring seat against corrosion ⇒ **Wheels and Tyres Guide - General Information; Rep. gr. 44 ; Wheel change; Protecting wheel centring seat against corrosion .**
- ◆ Position of anti-theft wheel bolts for steel wheels ⇒ **Wheels and Tyres Guide - General Information; Rep. gr. 44 ; Wheel change; Position of anti-theft wheel bolts for steel wheels .**
- ◆ Fitting anti-theft wheel bolts using adapter set for wheel bolts ⇒ **Wheels and Tyres Guide - General Information; Rep. gr. 44 ; Wheel bolts; Adapter sets for anti-theft wheel bolts .**



4 Wheel and tyre combinations according to NEDC (without tyre package)

⇒ [“4.1 up! - model year 2012 to model year 2013 \(sales type 121\)”, page 5](#)

⇒ [“4.2 up! - from model year 2014 \(sales type 121\)”, page 6](#)

⇒ [“4.3 up! BlueMotion Technology - from model year 2012 \(sales type 121\)”, page 8](#)

⇒ [“4.4 Cross-up! - from model year 2014 \(sales type 121\)”, page 9](#)

⇒ [“4.5 e-up! - from model year 2014 \(sales type BL1\)”, page 11](#)

4.1 up! - model year 2012 to model year 2013 (sales type 121)



Note

- ◆ *The specified wheel and tyre combinations apply for all the gearboxes allocated to the respective engines.*
- ◆ *Deviations from this are specially indicated in the table.*
- ◆ *Type and size of snow chains ⇒ Owner's Manual; Snow chains .*
- ◆ *All tyre sizes listed in the vehicle documents can also be used as winter tyres. It is recommended to use winter tyres of a size for which snow chains are permitted ⇒ Owner's Manual; Snow chains .*

The up! will be listed according to the sales type and not the type approval model code.

The type approval model code and the associated type approval number are listed as follows.

up! Type approval model code AA

Appendix for certificate statement 8116412124

The certificate statement can be found on the Volkswagen ServiceNet under Accessories/Tyres, Wheels and Tyres, Wheels and Tyres Guide.

Type Approval No.: e13*2007/46*1167*00 to e13*2007/46*1167*07

Model engine output	Tyre	Tyre size	Wheel	Wheel offset in mm	Snow chains	Comments
1.0l 44 kW 1.0l 55 kW petrol engines	Summer tyres	165/70 R 14 81T	5 J x 14	35	yes	General information on: ◆ Winter tyres ◆ Snow chains ⇒ Wheels and Tyres Guide - General information; Rep. gr. 44 ; Useful information about tyres
		175/65 R 14 82T	5 J x 14	35	yes	Tyre makes recommended by Volkswagen:



Model engine output	Tyre	Tyre size	Wheel	Wheel offset in mm	Snow chains	Comments
		185/55 R 15 82T	5 1/2 J x 15 ⇒ page 24	41	no	◆ ⇒ "8 Recommended summer tyres", page 30
		185/50 R 16 81T	6 J x 16 ⇒ page 27	43	no	◆ ⇒ "9 Recommended all-season tyres, worldwide except North America and China", page 32
	Winter tyres	165/70 R 14 81Q/T	5 J x 14 ⇒ page 22	35	yes	◆ ⇒ "10 Recommended winter tyres, worldwide except North America and China", page 33 ◆ Recommended temporary spare tyres and spare wheels ⇒ Wheels and Tyres Guide; Rep. gr. 44 ; Temporary spare wheels and recommended temporary spare tyres; Temporary spare wheels and recommended temporary spare tyres

Tyre pressure information is located on the tyre pressure plate on the inside of the tank flap or on the driver side B-pillar.

4.2 up! - from model year 2014 (sales type 121)



Note

- ◆ *The specified wheel and tyre combinations apply for all the gearboxes allocated to the respective engines.*
- ◆ *Deviations from this are specially indicated in the table.*
- ◆ *Type and size of snow chains ⇒ Owner's Manual; Snow chains .*
- ◆ *All tyre sizes listed in the vehicle documents can also be used as winter tyres. It is recommended to use winter tyres of a size for which snow chains are permitted ⇒ Owner's Manual; Snow chains .*

The up! will be listed according to the sales type and not the type approval model code.

The type approval model code and the associated type approval number are listed as follows.

up! Type approval model code AA

Appendix for certificate statement 8116412124



The certificate statement can be found on the Volkswagen ServiceNet under Accessories/Tyres, Wheels and Tyres, Wheels and Tyres Guide.

Type Approval No.: e13*2007/46*1167*08 to e13*2007/46*1167*12

Model engine output	Tyre	Tyre size	Wheel	Wheel offset in mm	Snow chains	Comments
1.0l 44 kW 1.0l 55 kW petrol engines	Summer tyres	165/70 R 14 81T	5 J x 14 ⇒ page 22	35	yes	General information on: ♦ Winter tyres ♦ Snow chains ⇒ Wheels and Tyres Guide - General information; Rep. gr. 44 ; Useful information about tyres Tyre makes recommended by Volkswagen: ♦ ⇒ “8 Recommended summer tyres”, page 30 ♦ ⇒ “9 Recommended all-season tyres, worldwide except North America and China”, page 32 ♦ ⇒ “10 Recommended winter tyres, worldwide except North America and China”, page 33 ♦ Recommended temporary spare tyres and spare wheels ⇒ Wheels and Tyres Guide; Rep. gr. 44 ; Temporary spare wheels and recommended temporary spare tyres; Temporary spare wheels and recommended temporary spare tyres
		175/65 R 14 82T	5 J x 14 ⇒ page 22	35	yes	
		185/55 R 15 82T	5 1/2 J x 15 ⇒ page 24	41	no	
		185/50 R 16 81T	6 J x 16 ⇒ page 27	43	no	
		195/40 R17 81T	6 1/2 J x 17 ⇒ page 29	43	no	
	Winter tyres	165/70 R 14 81Q/T	5 J x 14 ⇒ page 22	35	yes	

Tyre pressure information is located on the tyre pressure plate on the inside of the tank flap or on the driver side B-pillar.



4.3 up! BlueMotion Technology - from model year 2012 (sales type 121)



Note

- ◆ *The specified wheel and tyre combinations apply for all the gearboxes allocated to the respective engines.*
- ◆ *Deviations from this are specially indicated in the table.*
- ◆ *Type and size of snow chains ⇒ Owner's Manual; Snow chains.*
- ◆ *All tyre sizes listed in the vehicle documents can also be used as winter tyres. It is recommended to use winter tyres of a size for which snow chains are permitted ⇒ Owner's Manual; Snow chains.*

The up! will be listed according to the sales type and not the type approval model code.

The type approval model code and the associated type approval number are listed as follows.

up! Type approval model code AA

Appendix for certificate statement 8116412124

The certificate statement can be found on the Volkswagen ServiceNet under Accessories/Tyres, Wheels and Tyres, Wheels and Tyres Guide.

Type Approval No.: e13*2007/46*1167*03 to e13*2007/46*1167*12

Model engine output	Tyre	Tyre size	Wheel	Wheel offset in mm	Snow chains	Comments
1.0l 44 kW 1.0l 55 kW petrol engines 1.0l 50 kW EcoFuel (natural gas CNG)	Summer tyres	165/70 R 14 81T	5 J x 14 ⇒ page 22	35	yes	General information on: ◆ Winter tyres ◆ Snow chains ⇒ Wheels and Tyres Guide - General information; Rep. gr. 44 ; Useful information about tyres
		175/65 R 14 82T	5 J x 14 ⇒ page 22	35	yes	Tyre makes recommended by Volkswagen:
		185/55 R 15 82T	5 1/2 J x 15 ⇒ page 24	41	no	◆ ⇒ "8 Recommended summer tyres", page 30
		185/50 R 16 81T	6 J x 16 ⇒ page 27	43	no	◆ ⇒ "9 Recommended all-season tyres, worldwide except North America and China", page 32 ◆ ⇒ "10 Recommended winter tyres, worldwide except North America and China", page 33



Model engine output	Tyre	Tyre size	Wheel	Wheel offset in mm	Snow chains	Comments
	Winter tyres	165/70 R 14 81Q/T	5 J x 14 ⇒ page 22	35	yes	◆ Recommended temporary spare tyres and spare wheels ⇒ Wheels and Tyres Guide; Rep. gr. 44 ; Temporary spare wheels and recommended temporary spare tyres; Temporary spare wheels and recommended temporary spare tyres

Tyre pressure information is located on the tyre pressure plate on the inside of the tank flap or on the driver side B-pillar.

4.4 Cross-up! - from model year 2014 (sales type 121)



Note

- ◆ *The specified wheel and tyre combinations apply for all the gearboxes allocated to the respective engines.*
- ◆ *Deviations from this are specially indicated in the table.*
- ◆ *Type and size of snow chains ⇒ Owner's Manual; Snow chains .*
- ◆ *All tyre sizes listed in the vehicle documents can also be used as winter tyres. It is recommended to use winter tyres of a size for which snow chains are permitted ⇒ Owner's Manual; Snow chains .*

The up! will be listed according to the sales type and not the type approval model code.

The type approval model code and the associated type approval number are listed as follows.

up! Type approval model code AA

Appendix for certificate statement 8116412124

The certificate statement can be found on the Volkswagen ServiceNet under Accessories/Tyres, Wheels and Tyres, Wheels and Tyres Guide.



Type Approval No.: e13*2007/46*1167*08 to
e13*2007/46*1167*12

Model engine output	Tyre	Tyre size	Wheel	Wheel offset in mm	Snow chains	Comments
1.0l 55 kW petrol engine	Summer tyres	165/70 R 14 81T	5 J x 14 ⇒ page 22	35	yes	General information on: ◆ Winter tyres ◆ Snow chains ⇒ Wheels and Tyres Guide - General information; Rep. gr. 44 ; Useful information about tyres
		175/65 R 14 82T	5 J x 14 ⇒ page 22	35	yes	Tyre makes recommended by Volkswagen: ◆ ⇒ “8 Recommended summer tyres”, page 30 ◆ ⇒ “9 Recommended all-season tyres, worldwide except North America and China”, page 32 ◆ ⇒ “10 Recommended winter tyres, worldwide except North America and China”, page 33 ◆ Recommended temporary spare tyres and spare wheels ⇒ Wheels and Tyres Guide; Rep. gr. 44 ; Temporary spare wheels and recommended temporary spare tyres; Temporary spare wheels and recommended temporary spare tyres
		185/50 R 16 81T	6 J x 16 ⇒ page 26	39	no	The use of 165/70 R 14 81T or 175/65 R 14 82T tyres on 5 J x 14 rims with an offset of 35 is permitted retroactively from Type Approval No. e13*2007/46*1167*08. The use of the tyres is legitimatised through an excerpt from type approval e13*2007/46*1167*09 and certificate No. 8110266349. This



Model engine output	Tyre	Tyre size	Wheel	Wheel offset in mm	Snow chains	Comments
	Winter tyres	165/70 R 14 81Q/T	5 J x 14 ⇒ page 22	35	yes	excerpt must be kept in the vehicle by the respective vehicle operators if the use of 165/70 R 14 81T or 175/65 R 14 82T tyres is not indicated in the vehicle documentation. The excerpt is available from Volkswagen ServiceNet under Accessories/Tyres, Wheels and tyres, Wheel and tyre guide, Certificate statements.

Tyre pressure information is located on the tyre pressure plate on the inside of the tank flap or on the driver side B-pillar.

4.5 e-up! - from model year 2014 (sales type BL1)



Note

- ◆ *The specified wheel and tyre combinations apply for all the gearboxes allocated to the respective engines.*
- ◆ *Deviations from this are specially indicated in the table.*
- ◆ *Type and size of snow chains ⇒ Owner's Manual; Snow chains .*
- ◆ *All tyre sizes listed in the vehicle documents can also be used as winter tyres. It is recommended to use winter tyres of a size for which snow chains are permitted ⇒ Owner's Manual; Snow chains .*

The up! will be listed according to the sales type and not the type approval model code.

The type approval model code and the associated type approval number are listed as follows.

up! Type approval model code AA

Appendix for certificate statement 8116412124



The certificate statement can be found on the Volkswagen ServiceNet under Accessories/Tyres, Wheels and Tyres, Wheels and Tyres Guide.

Type Approval No.: e13*2007/46*1167*09 to
e13*2007/46*1167*12

Model engine output	Tyre	Tyre size	Wheel	Wheel offset in mm	Snow chains	Comments
e-up!	Summer tyres	165/65 R 15 81T	5 J x 15 ⇒ page 23	35	No	General information on: ◆ Winter tyres ◆ Snow chains ⇒ Wheels and Tyres Guide - General information; Rep. gr. 44 ; Useful information about tyres
	Winter tyres	165/70 R 14 81Q/T	5 J x 14 ⇒ page 22	35	yes	Tyre makes recommended by Volkswagen: ◆ ⇒ “8 Recommended summer tyres”, page 30 ◆ ⇒ “9 Recommended all-season tyres, worldwide except North America and China”, page 32 ◆ ⇒ “10 Recommended winter tyres, worldwide except North America and China”, page 33 ◆ Recommended temporary spare tyres and spare wheels ⇒ Wheels and Tyres Guide; Rep. gr. 44 ; Temporary spare wheels and recommended temporary spare tyres; Temporary spare wheels and recommended temporary spare tyres

Tyre pressure information is located on the tyre pressure plate on the inside of the tank flap or on the driver side B-pillar.



5 Wheel and tyre combinations according to NEDC (based on tyre package)

⇒ [“5.1 Type approval no. \(K\): 13*2007/46*1167*13”, page 13](#)

⇒ [“5.2 Type approval No. \(K\): 13*2007/46*1167*14 to 13*2007/46*1167*16”, page 14](#)

⇒ [“5.3 Type approval No. \(K\): 13*2007/46*1167*17 to 13*2007/46*1167*20”, page 15](#)

⇒ [“5.4 Type approval no. \(K\): 13*2007/46*1167*21”, page 16](#)

⇒ [“5.5 Changing to other wheel and tyre combinations”, page 17](#)

5.1 Type approval no. (K): 13*2007/46*1167*13

Appendix for certificate statement 8116412124

- Type approval model code AA
- Options for changing to other wheel and tyre combinations
⇒ [page 17](#)
- Type and size of snow chains ⇒ Owner's Manual; Snow chains .

Tyre package 61			
Engine	Tyre size	Wheel size	Snow chains
1.0l 44 kW; 1.0l 55 kW petrol engine 1.0l 50 kW EcoFuel (natural gas CNG)	165/70 R 14 81T	5 J x 14 offset 35	x
	175/65 R 14 82T	5 J x 14 offset 35	x
	185/55 R 15 82T	5.5 J x 15 offset 41	-
	185/50 R 16 81H	6 J x 16 offset 43	-
	195/40 R17 81V	6.5 J x 17 offset 43	-

Tyre package 62			
Engine	Tyre size	Wheel size	Snow chains
1.0l 55 kW petrol engine	165/70 R 14 81T	5 J x 14 offset 35	x
	175/65 R 14 82T	5 J x 14 offset 35	x
	185/50 R 16 81H	6 J x 16 offset 39	-

Tyre package 63			
Engine	Tyre size	Wheel size	Snow chains
e-up!	165/70 R 14 81T M+S	5 J x 14 offset 35	x
	165/65 R 15 81T	5 J x 15 offset 35	-

Tyre makes recommended by Volkswagen:

- ◆ ⇒ [“8 Recommended summer tyres”, page 30](#)
- ◆ ⇒ [“9 Recommended all-season tyres, worldwide except North America and China”, page 32](#)
- ◆ ⇒ [“10 Recommended winter tyres, worldwide except North America and China”, page 33](#)
- ◆ Recommended temporary spare tyres and spare wheels ⇒
Wheels and Tyres Guide; Rep. gr. 44 ; Temporary spare



wheels and recommended temporary spare tyres; Temporary spare wheels and recommended temporary spare tyres

5.2 Type approval No. (K): 13*2007/46*1167*14 to 13*2007/46*1167*16

Appendix for certificate statement 8116412124

- Type approval model code AA
- Options for changing to other wheel and tyre combinations
⇒ [page 17](#) .
- Type and size of snow chains ⇒ Owner's Manual; Snow chains

Tyre package 61			
Engine	Tyre size	Wheel size	Snow chains
1.0l 44 kW; 1.0l 55 kW 1.0l 66 kW petrol engine 1.0l 50 kW EcoFuel (natural gas CNG)	165/70 R 14 81T	5 J x 14 offset 35	x
	175/65 R 14 82T	5 J x 14 offset 35	x
	185/55 R 15 82H	5.5 J x 15 offset 41	-
	185/50 R 16 81H	6 J x 16 offset 43	-
	195/40 R 17 81V	6.5 J x 17 offset 43	-

Tyre package 62 - cross up!			
Engine	Tyre size	Wheel size	Snow chains
1.0l 55 kW petrol engine	165/70 R 14 81T	5 J x 14 offset 35	x
	175/65 R 14 82T	5 J x 14 offset 35	x
	185/55 R 15 82T M+S	5.5 J x 15 offset 41	-
	185/50 R 16 81H	6 J x 16 offset 39	-

Tyre package 63 - e-up!			
Engine	Tyre size	Wheel size	Snow chains
e-up!	165/70 R 14 81T M+S	5 J x 14 offset 35	x
	165/65 R 15 81T	5 J x 15 offset 35	-

Tyre makes recommended by Volkswagen:

- ◆ ⇒ [“8 Recommended summer tyres”, page 30](#)
- ◆ ⇒ [“9 Recommended all-season tyres, worldwide except North America and China”, page 32](#)
- ◆ ⇒ [“10 Recommended winter tyres, worldwide except North America and China”, page 33](#)
- ◆ Recommended temporary spare tyres and spare wheels ⇒ Wheels and Tyres Guide; Rep. gr. 44 ; Temporary spare wheels and recommended temporary spare tyres; Temporary spare wheels and recommended temporary spare tyres



5.3 Type approval No. (K): 13*2007/46*1167*17 to 13*2007/46*1167*20

! NOTICE

- ◆ Due to implementation of a new, unified test procedure for determination of fuel consumption and exhaust emissions WLTP (Worldwide Harmonized Light Vehicles Test Procedure), wheel and tyre combinations can be listed according to their corresponding tyre package as well as based on their allocation to the respective engine (without tyre package).
- ◆ Please first check which type of allocation applies for the vehicle ⇒ [page 1](#) .

Appendix for certificate statement 8116412124

- Type approval model code AA
- Options for changing to other wheel and tyre combinations ⇒ [page 17](#) .
- Type and size of snow chains ⇒ Owner's Manual; Snow chains .

Tyre package 61			
Engine	Tyre size	Wheel size	Snow chains
1.0l 44 kW; 1.0l 55 kW 1.0l 66 kW petrol engine 1.0l 50 kW EcoFuel (natural gas CNG)	165/70 R 14 81T	5 J x 14 offset 35	x
	175/65 R 14 82T	5 J x 14 offset 35	x
	185/55 R 15 82H	5.5 J x 15 offset 41	-
	185/50 R 16 81H	6 J x 16 offset 43	-
	195/40 R 17 81V	6.5 J x 17 offset 43	-

Tyre package 62 - cross up!			
Engine	Tyre size	Wheel size	Snow chains
1.0l 55 kW 1.0l 66 kW petrol engines	165/70 R 14 81T M+S	5 J x 14 offset 35	x
	185/55 R 15 82T M+S	5.5 J x 15 offset 41	-
	185/50 R 16 81H	6 J x 16 offset 39	-

Tyre package 63 - e-up!			
Engine	Tyre size	Wheel size	Snow chains
e-up!	165/70 R 14 81T M+S	5 J x 14 offset 35	x
	165/65 R 15 81T	5 J x 15 offset 35	-

Tyre makes recommended by Volkswagen:

- ◆ ⇒ [“8 Recommended summer tyres”, page 30](#)
- ◆ ⇒ [“9 Recommended all-season tyres, worldwide except North America and China”, page 32](#)
- ◆ ⇒ [“10 Recommended winter tyres, worldwide except North America and China”, page 33](#)
- ◆ Recommended temporary spare tyres and spare wheels ⇒ Wheels and Tyres Guide; Rep. gr. 44 ; Temporary spare wheels and recommended temporary spare tyres; Temporary spare wheels and recommended temporary spare tyres



5.4 Type approval no. (K): 13*2007/46*1167*21

NOTICE

- ◆ Due to implementation of a new, unified test procedure for determination of fuel consumption and exhaust emissions WLTP (Worldwide Harmonized Light Vehicles Test Procedure), wheel and tyre combinations can be listed according to their corresponding tyre package as well as based on their allocation to the respective engine (without tyre package).
- ◆ Please first check which type of allocation applies for the vehicle ⇒ [page 1](#) .

Appendix for certificate statement 8116412124

- Type approval model code AA
- Options for changing to other wheel and tyre combinations ⇒ [page 17](#) .
- Type and size of snow chains ⇒ Owner's Manual; Snow chains .

Tyre package 61			
Engine	Tyre size	Wheel size	Snow chains
1.0l 44 kW; 1.0l 55 kW 1.0l 66 kW petrol engine 1.0l 50 kW EcoFuel (natural gas CNG)	165/70 R 14 81T	5 J x 14 offset 35	x
	175/65 R 14 82T	5 J x 14 offset 35	x
	185/55 R 15 82H	5.5 J x 15 offset 41	-
	185/50 R 16 81H	6 J x 16 offset 43	-
	195/40 R 17 81V	6.5 J x 17 offset 43	-

Tyre package 62 - cross up!			
Engine	Tyre size	Wheel size	Snow chains
1.0l 55 kW 1.0l 66 kW petrol engines	165/70 R 14 81T M+S	5 J x 14 offset 35	x
	185/55 R 15 82T M+S	5.5 J x 15 offset 41	-
	185/50 R 16 81H	6 J x 16 offset 39	-

Tyre makes recommended by Volkswagen:

- ◆ ⇒ ["8 Recommended summer tyres", page 30](#)
- ◆ ⇒ ["9 Recommended all-season tyres, worldwide except North America and China", page 32](#)
- ◆ ⇒ ["10 Recommended winter tyres, worldwide except North America and China", page 33](#)
- ◆ Recommended temporary spare tyres and spare wheels ⇒ Wheels and Tyres Guide; Rep. gr. 44 ; Temporary spare wheels and recommended temporary spare tyres; Temporary spare wheels and recommended temporary spare tyres



5.5 Changing to other wheel and tyre combinations

In addition to the tyre package indicated in the registration documents, other wheel and tyre combinations may be retrofitted. The following conditions must be met in order to do this:

! NOTICE

If a wheel and tyre combination is fitted which is not indicated in the registration documents or in the COC paper (EEC Certificate of Conformity), the type approval of the vehicle becomes invalid in Germany. To re-establish the type approval, the vehicle must be inspected by a recognised technical inspection authority or an inspection engineer in accordance with the German road traffic and licensing regulations section 19.2 / section 21 of the StVZO. Then, a new type approval must be requested from the responsible registration authority.

Comply with the respective country-specific registration regulations.

Comply with the legal requirements ⇒ **Wheels and Tyres Guide - General Information; Rep. gr. 44 ; Legislative and technical conditions for retrofitting different wheel and tyre combinations; Legislative conditions for retrofitting different wheel and tyre combinations .**

Engine	Tyre size	Wheel size	Snow chains
All engines	165/70 R 14 81T M+S	5 J x 14 offset 35	x
	165/65 R 15 81T	5 J x 15 offset 35	-
	175/65 R 14 82T	5 J x 14 offset 35	x
	185/55 R 15 82T M+S	5.5 J x 15 offset 41	-
	185/50 R 16 81H	6 J x 16 offset 43	-
	195/40 R 17 81V	6.5 J x 17 offset 43	-

Tyre makes recommended by Volkswagen:

- ◆ ⇒ [“8 Recommended summer tyres”, page 30](#)
- ◆ ⇒ [“9 Recommended all-season tyres, worldwide except North America and China”, page 32](#)
- ◆ ⇒ [“10 Recommended winter tyres, worldwide except North America and China”, page 33](#)
- ◆ Recommended temporary spare tyres and spare wheels ⇒ **Wheels and Tyres Guide; Rep. gr. 44 ; Temporary spare wheels and recommended temporary spare tyres; Temporary spare wheels and recommended temporary spare tyres**



6 Wheel and tyre combinations according to WLTP (without tyre package)

⇒ [“6.1 Type approval no. \(K\): 13*2007/46*1167*20”, page 18](#)

⇒ [“6.2 Type approval no. \(K\): 13*2007/46*1167*21”, page 18](#)

⇒ [“6.3 Type approval no. \(K\): 13*2007/46*1167*22”, page 20](#)

6.1 Type approval no. (K): 13*2007/46*1167*20

! NOTICE

- ◆ Due to implementation of a new, unified test procedure for determination of fuel consumption and exhaust emissions WLTP (Worldwide Harmonized Light Vehicles Test Procedure), wheel and tyre combinations can be listed according to their corresponding tyre package as well as based on their allocation to the respective engine (without tyre package).
- ◆ Please first check which type of allocation applies for the vehicle ⇒ [page 1](#) .

Appendix for certificate statement 8116412124

- Type approval model code AA
- Type and size of snow chains → Owner's Manual; Snow chains .

up! GTI			
Engine	Tyre size	Wheel size	Snow chains
1.0l 85 kW petrol engine	165/65 R 15 81T M+S	5 J x 15 offset 33	x
	195/40 R 17 81V	6.5 J x 17 offset 39	-

Tyre makes recommended by Volkswagen:

- ◆ ⇒ [“8 Recommended summer tyres”, page 30](#)
- ◆ ⇒ [“9 Recommended all-season tyres, worldwide except North America and China”, page 32](#)
- ◆ ⇒ [“10 Recommended winter tyres, worldwide except North America and China”, page 33](#)
- ◆ Recommended temporary spare tyres and spare wheels ⇒ Wheels and Tyres Guide; Rep. gr. 44; Temporary spare wheels and recommended temporary spare tyres; Temporary spare wheels and recommended temporary spare tyres

6.2 Type approval no. (K): 13*2007/46*1167*21

! NOTICE

- ◆ Due to implementation of a new, unified test procedure for determination of fuel consumption and exhaust emissions WLTP (Worldwide Harmonized Light Vehicles Test Procedure), wheel and tyre combinations can be listed according to their corresponding tyre package as well as based on their allocation to the respective engine (without tyre package).
- ◆ Please first check which type of allocation applies for the vehicle ⇒ [page 1](#) .



Appendix for certificate statement 8116412124

- Type approval model code AA
- Type and size of snow chains ⇒ Owner's Manual; Snow chains .

up! GTI			
Engine	Tyre size	Wheel size	Snow chains
1.0l 85 kW petrol engine	165/65 R 15 81T M+S	5 J x 15 offset 33	x
	195/40 R 17 81V	6.5 J x 17 offset 39	-

up!			
Engine	Tyre size	Wheel size	Snow chains
1.0l 44 kW; 1.0l 55 kW Petrol engine	165/70 R 14 81T M+S	5 J x 14 offset 35	x
	165/70 R 14 81T	5 J x 14 offset 35	x
	175/65 R 14 82T	5 J x 14 offset 35	x
	185/55 R 15 82T M+S	5.5 J x 15 offset 41	-
	185/55 R 15 82H	5.5 J x 15 offset 41	-
	185/50 R 16 81H	6 J x 16 offset 43	-
	195/40 R 17 81V	6.5 J x 17 offset 43	-

Cross-up!			
Engine	Tyre size	Wheel size	Snow chains
1.0l 55 kW petrol engine	165/70 R 14 81T M+S	5 J x 14 offset 35	x
	185/55 R 15 82T M+S	5.5 J x 15 offset 41	-
	185/50 R 16 81H	6 J x 16 offset 39	-

e-up!			
Engine	Tyre size	Wheel size	Snow chains
e-up!	165/70 R 14 81T M+S	5 J x 14 offset 35	x
	165/65 R 15 81T	5 J x 15 offset 35	-

Tyre makes recommended by Volkswagen:

- ◆ ⇒ [“8 Recommended summer tyres”, page 30](#)
- ◆ ⇒ [“9 Recommended all-season tyres, worldwide except North America and China”, page 32](#)
- ◆ ⇒ [“10 Recommended winter tyres, worldwide except North America and China”, page 33](#)
- ◆ Recommended temporary spare tyres and spare wheels ⇒ Wheels and Tyres Guide; Rep. gr. 44 ; Temporary spare wheels and recommended temporary spare tyres; Temporary spare wheels and recommended temporary spare tyres



6.3 Type approval no. (K): 13*2007/46*1167*22

NOTICE

- ◆ Due to implementation of a new, unified test procedure for determination of fuel consumption and exhaust emissions WLTP (Worldwide Harmonized Light Vehicles Test Procedure), wheel and tyre combinations can be listed according to their corresponding tyre package as well as based on their allocation to the respective engine (without tyre package).
- ◆ Please first check which type of allocation applies for the vehicle ⇒ [page 1](#) .

Appendix for certificate statement 8116412124

- Type approval model code AA
- Type and size of snow chains ⇒ Owner's Manual; Snow chains .

up! GTI			
Engine	Tyre size	Wheel size	Snow chains
1.0l 85 kW petrol engine	165/65 R 15 81T M+S	5 J x 15 offset 33	x
	195/40 R 17 81V	6.5 J x 17 offset 39	-

up!			
Engine	Tyre size	Wheel size	Snow chains
1.0l 44 kW; 1.0l 55 kW; 1.0l 66 kW petrol engine	165/70 R 14 81T M+S	5 J x 14 offset 35	x
	165/70 R 14 81T	5 J x 14 offset 35	x
	175/65 R 14 82T	5 J x 14 offset 35	x
	185/55 R 15 82T M+S	5.5 J x 15 offset 41	-
	185/55 R 15 82H	5.5 J x 15 offset 41	-
	185/50 R 16 81H	6 J x 16 offset 43	-
	195/40 R 17 81V	6.5 J x 17 offset 43	-

eco up!			
Engine	Tyre size	Wheel size	Snow chains
1.0l 50 kW EcoFuel (natural gas CNG) petrol engine	165/70 R 14 81T M+S	5 J x 14 offset 35	x
	165/70 R 14 81T	5 J x 14 offset 35	x
	175/65 R 14 82T	5 J x 14 offset 35	x
	185/55 R 15 82T M+S	5.5 J x 15 offset 41	-
	185/55 R 15 82H	5.5 J x 15 offset 41	-
	185/50 R 16 81H	6 J x 16 offset 43	-
	195/40 R 17 81V	6.5 J x 17 offset 43	-

Cross-up!			
Engine	Tyre size	Wheel size	Snow chains
1.0l 55 kW 1.0l 66 kW petrol engines	165/70 R 14 81T M+S	5 J x 14 offset 35	x
	185/55 R 15 82T M+S	5.5 J x 15 offset 41	-
	185/50 R 16 81H	6 J x 16 offset 39	-



e-up!			
Engine	Tyre size	Wheel size	Snow chains
e-up!	165/70 R 14 81T M+S	5 J x 14 offset 35	x
	165/65 R 15 81T	5 J x 15 offset 35	-

Tyre makes recommended by Volkswagen:

- ◆ ⇒ [“8 Recommended summer tyres”, page 30](#)
- ◆ ⇒ [“9 Recommended all-season tyres, worldwide except North America and China”, page 32](#)
- ◆ ⇒ [“10 Recommended winter tyres, worldwide except North America and China”, page 33](#)
- ◆ Recommended temporary spare tyres and spare wheels ⇒
 Wheels and Tyres Guide; Rep. gr. 44 ; Temporary spare
 wheels and recommended temporary spare tyres; Temporary
 spare wheels and recommended temporary spare tyres



7 Wheel allocation

⇒ [“7.1 5 J x 14”, page 22](#)

⇒ [“7.2 5 J x 15 offset 33”, page 22](#)

⇒ [“7.3 5 J x 15 offset 35”, page 23](#)

⇒ [“7.4 5,5 J x 15 offset 41”, page 24](#)

⇒ [“7.5 6 J x 16 offset 39”, page 26](#)

⇒ [“7.6 6 J x 16 offset 43”, page 27](#)

⇒ [“7.7 6 1/2 J x 17 offset 39”, page 28](#)

⇒ [“7.8 6 1/2 J x 17 offset 43”, page 29](#)

7.1 5 J x 14



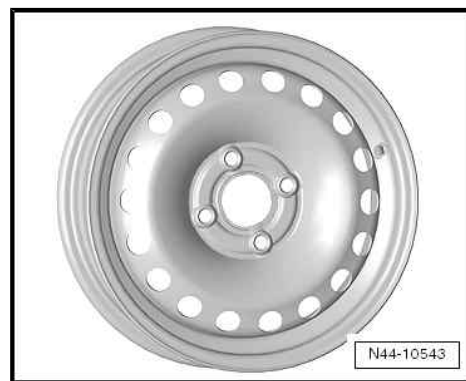
Note

Always observe the allocation of wheels and tyres to the respective engines, which are listed in the overview table.

Explanation of information on wheels:	⇒ Wheels and Tyres Guide - General information; Rep. gr. 44 ; Useful information about passenger car wheels, specifications on wheels
Specified torque for wheel bolts:	⇒ Running gear, axles, steering; Rep. gr. 44 ; Specified torque for fitting wheels
Pitch circle diameter:	100 mm
Number of wheel bolt holes:	4

1S0 601 027, 1S0 601 027 G - steel wheel

Dimensions:	5 J x 14
Wheel offset in mm:	35
Wheel load in kg:	405



7.2 5 J x 15 offset 33



Note

Always observe the allocation of wheels and tyres to the respective engines, which are listed in the overview table.

Explanation of information on wheels:	⇒ Wheels and Tyres Guide - General information; Rep. gr. 44 ; Useful information about passenger car wheels, specifications on wheels
Specified torque for wheel bolts:	⇒ Running gear, axles, steering; Rep. gr. 44 ; Specified torque for fitting wheels
Pitch circle diameter:	100 mm
Number of wheel bolt holes:	4



1S0 601 025 BP – aluminium wheel “MERANO”

Dimensions:	5 J x 15
Wheel offset in mm:	33
Wheel load in kg:	385



7.3 5 J x 15 offset 35

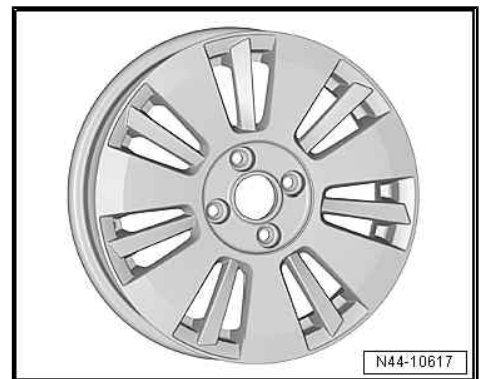


Always observe the allocation of wheels and tyres to the respective engines, which are listed in the overview table.

Explanation of information on wheels:	⇒ Wheels and Tyres Guide - General information; Rep. gr. 44 ; Useful information about passenger car wheels, specifications on wheels
Specified torque for wheel bolts:	⇒ Running gear, axles, steering; Rep. gr. 44 ; Specified torque for fitting wheels
Pitch circle diameter:	100 mm
Number of wheel bolt holes:	4

1S0 601 025 AH - aluminium wheel “BLADE”

Dimensions:	5 J x 15
Wheel offset in mm:	35
Wheel load in kg:	410



1S0 601 025 AJ - aluminium wheel “WAFFLE”

Dimensions:	5 J x 15
Wheel offset in mm:	35
Wheel load in kg:	410





7.4 5.5 J x 15 offset 41



Note

Always observe the allocation of wheels and tyres to the respective engines, which are listed in the overview table.

Explanation of information on wheels:	⇒ Wheels and Tyres Guide - General information; Rep. gr. 44 ; Useful information about passenger car wheels, specifications on wheels
Specified torque for wheel bolts:	⇒ Running gear, axles, steering; Rep. gr. 44 ; Specified torque for fitting wheels
Pitch circle diameter:	100 mm
Number of wheel bolt holes:	4

1S0 601 025 A, 1S0 601 025 M - aluminium wheel "SPOKE"

Dimensions:	5.5 J x 15
Wheel offset in mm:	41
Wheel load in kg:	360



1S0 601 025 J, 1S0 601 025 R - aluminium wheel "WAFFLE"

Dimensions:	5.5 J x 15
Wheel offset in mm:	41
Wheel load in kg:	360



1S0 601 025 S - aluminium wheel "FORTALEZA"

Dimensions:	5.5 J x 15
Wheel offset in mm:	41
Wheel load in kg:	360





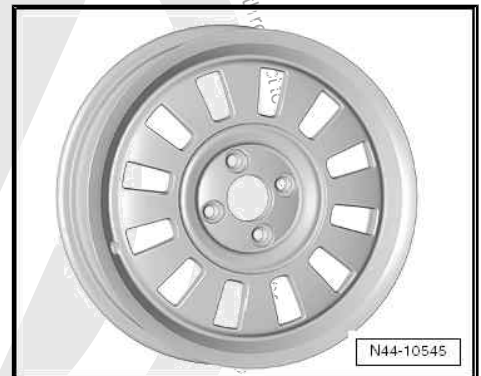
1S0 601 025 AR – aluminium wheel “FORTALEZA”

Dimensions:	5.5 J x 15
Wheel offset in mm:	41
Wheel load in kg:	370



1S0 601 025 AL, 1S0 601 025 AM - aluminium wheel “CLASSIC”

Dimensions:	5.5 J x 15
Wheel offset in mm:	41
Wheel load in kg:	360



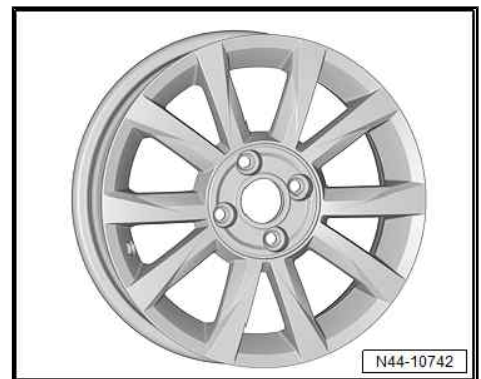
1S0 601 025 AN - aluminium wheel “CROSS”

Dimensions:	5.5 J x 15
Wheel offset in mm:	41
Wheel load in kg:	360



1S0 601 025 AP, 1S0 601 025 AQ - wheel “RAVENNA”

Dimensions:	5.5 J x 15
Wheel offset in mm:	41
Wheel load in kg:	360





1S0 601 025 AS – aluminium wheel “RADIAL”

Dimensions:	5.5 J x 15
Wheel offset in mm:	41
Wheel load in kg:	370



1S0 601 025 BL – aluminium wheel “WOODSTOCK”

Dimensions:	5.5 J x 15
Wheel offset in mm:	41
Wheel load in kg:	370



7.5 6 J x 16 offset 39



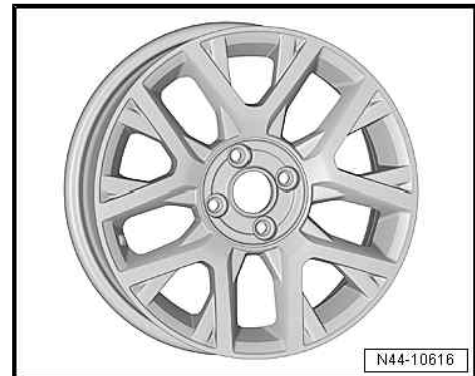
Note

Always observe the allocation of wheels and tyres to the respective engines, which are listed in the overview table.

Explanation of information on wheels:	⇒ Wheels and Tyres Guide - General information; Rep. gr. 44 ; Useful information about passenger car wheels, specifications on wheels
Specified torque for wheel bolts:	⇒ Running gear, axles, steering; Rep. gr. 44 ; Specified torque for fitting wheels
Pitch circle diameter:	100 mm
Number of wheel bolt holes:	4

1S0 601 025 C - aluminium wheel “CROSS”

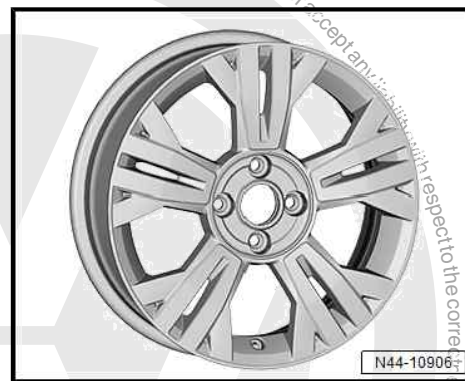
Dimensions:	6 J x 16
Wheel offset in mm:	39
Wheel load in kg:	360





1S0 601 025 BA – aluminium wheel “KALAMATA”

Dimensions:	6 J x 16
Wheel offset in mm:	39
Wheel load in kg:	370



7.6 6 J x 16 offset 43

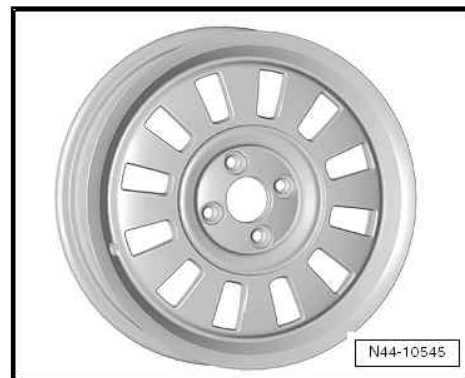
i Note

Always observe the allocation of wheels and tyres to the respective engines, which are listed in the overview table.

Explanation of information on wheels:	⇒ Wheels and Tyres Guide - General information; Rep. gr. 44 ; Useful information about passenger car wheels, specifications on wheels
Specified torque for wheel bolts:	⇒ Running gear, axles, steering; Rep. gr. 44 ; Specified torque for fitting wheels
Pitch circle diameter:	100 mm
Number of wheel bolt holes:	4

1S0 601 025 B, 1S0 601 025 AL, 1S0 601 025 AM - aluminium wheel “CLASSIC”

Dimensions:	6 J x 16
Wheel offset in mm:	43
Wheel load in kg:	360



1S0 601 025 L - aluminium wheel “TRIANGLE”

Dimensions:	6 J x 16
Wheel offset in mm:	43
Wheel load in kg:	360





1S0 601 025 AA - aluminium wheel "UPSILON"

Dimensions:	6 J x 16
Wheel offset in mm:	43
Wheel load in kg:	360



1S0 601 025 AT – aluminium wheel "LA BOCA"

Dimensions:	6 J x 16
Wheel offset in mm:	43
Wheel load in kg:	370



7.7 6 1/2 J x 17 offset 39

i Note

Always observe the allocation of wheels and tyres to the respective engines, which are listed in the overview table.

Explanation of information on wheels:	⇒ Wheels and Tyres Guide - General information; Rep. gr. 44 ; Useful information about passenger car wheels, specifications on wheels
Specified torque for wheel bolts:	⇒ Running gear, axles, steering; Rep. gr. 44 ; Specified torque for fitting wheels
Pitch circle diameter:	100 mm
Number of wheel bolt holes:	4

1S0 601 025 BN – aluminium wheel "BRANDS HATCH"

Dimensions:	6 1/2 J x 17
Wheel offset in mm:	43
Wheel load in kg:	385



Protected by copyright. Copying for private or commercial purposes in part or in whole is not permitted unless authorized by Volkswagen AG. Volkswagen AG is not liable for the correctness of information in this document. Copyright by Volkswagen AG.



7.8 6¹/₂ J x 17 offset 43



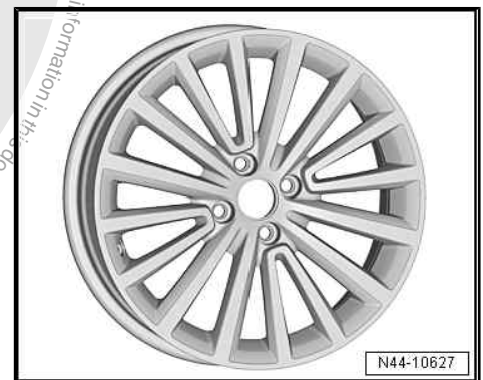
Note

Always observe the allocation of wheels and tyres to the respective engines, which are listed in the overview table.

Explanation of information on wheels:	⇒ Wheels and Tyres Guide - General information; Rep. gr. 44 ; Useful information about passenger car wheels, specifications on wheels
Specified torque for wheel bolts:	⇒ Running gear, axles, steering; Rep. gr. 44 ; Specified torque for fitting wheels
Pitch circle diameter:	100 mm
Number of wheel bolt holes:	4

1S0 601 025 N, 1S0 601 025 BT - aluminium wheel "POLYGON"

Dimensions:	6 ¹ / ₂ J x 17
Wheel offset in mm:	43
Wheel load in kg:	360





8 Recommended summer tyres

⇒ [“8.1 Recommended summer tyres, worldwide except North America, China, Japan, Tahiti, New Caledonia”, page 30](#)

⇒ [“8.2 Recommended summer tyres, Japan”, page 30](#)

⇒ [“8.3 Recommended summer tyres, Tahiti, New Caledonia”, page 31](#)

8.1 Recommended summer tyres, worldwide except North America, China, Japan, Tahiti, New Caledonia

Notes on recommended tyres ⇒ Wheels and Tyres Guide - General Information; Rep. gr. 44 ; Instructions on using the guide; General Information

Explanations regarding world regions ⇒ Wheels and Tyres Guide - General Information; Rep. gr. 44 ; Instructions on using the guide; Explanations regarding world region

Tyre size	Manufacturer	Tread pattern
165/70 R 14 81T	Bridgestone	Ecopia EP25
	Hankook	Kinergy K425
	Continental	Premium Contact 2
	Falken	Sincera SN 831A
165/65 R 15 81T	Dunlop	SP Street Response
175/65 R 14 82T	Continental	Premium Contact 2e
	Bridgestone	Ecopia EP250
185/55 R 15 82T	Continental	Premium Contact 2
	Bridgestone	Ecopia EP25
185/50 R 16 81T	Continental	Premium Contact 2
185/50 R 16 81H	Continental	Premium Contact 2
	Bridgestone	ER300
195/40 R 17 81V	Continental	Sport Contact 3
	Dunlop	SportMaxxRT

8.2 Recommended summer tyres, Japan

Notes on recommended tyres ⇒ Wheels and Tyres Guide - General Information; Rep. gr. 44 ; Instructions on using the guide; General Information

Explanations regarding world regions ⇒ Wheels and Tyres Guide - General Information; Rep. gr. 44 ; Instructions on using the guide; Explanations regarding world region

Tyre size	Manufacturer	Tread pattern
165/70 R 14 81T	Bridgestone	Ecopia EP25
	Continental	Premium Contact 2

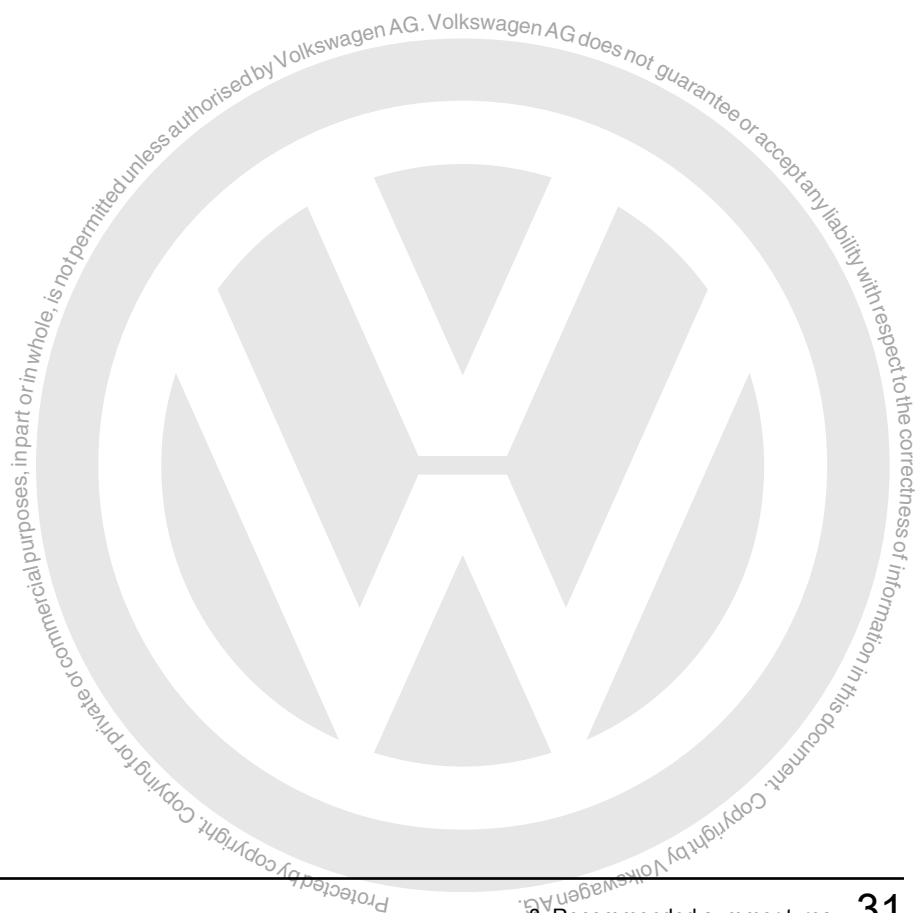


8.3 Recommended summer tyres, Tahiti, New Caledonia

Notes on recommended tyres ⇒ Wheels and Tyres Guide - General Information; Rep. gr. 44 ; Instructions on using the guide; General Information

Explanations regarding world regions ⇒ Wheels and Tyres Guide - General Information; Rep. gr. 44 ; Instructions on using the guide; Explanations regarding world region

Tyre size	Manufacturer	Tread pattern
165/70 R 14 81T	Continental	Premium Contact 2
	Hankook	Kinergy
175/65 R 14 82T	Continental	Premium Contact 2
185/55 R 15 82T	Continental	Premium Contact 2
	Continental	EcoContact 5





9 Recommended all-season tyres, worldwide except North America and China

Notes on recommended tyres ⇒ Wheels and Tyres Guide - General Information; Rep. gr. 44 ; Instructions on using the guide; General Information

Explanations regarding world regions ⇒ Wheels and Tyres Guide - General Information; Rep. gr. 44 ; Instructions on using the guide; Explanations regarding world region

Tyre size	Manufacturer	Tread pattern
165/70 R 14 81T	Hankook	Optimo 4S





10 Recommended winter tyres, worldwide except North America and China

Notes on recommended tyres ⇒ Wheels and Tyres Guide - General Information; Rep. gr. 44 ; Instructions on using the guide; General Information

Explanations regarding world regions ⇒ Wheels and Tyres Guide - General Information; Rep. gr. 44 ; Instructions on using the guide; Explanations regarding world region

Tyre size	Manufacturer	Tread pattern
165/70 R 14 81T	Pirelli	W 190
	Vredestein	Snowtrac 3
	Dunlop	Winter Response
	Dunlop	Winter Response 2