



Wheels and Tyres Guide - Standard

Edition 07.2011

Beetle 2012 > , CC 2010 > ,
Eos 2006 > , GTI 2009 > , Golf 2009 > ,
Golf Cabriolet 2012 > ,
Golf Plus 2009 > , Golf Variant 2010 > ,
Jetta 2011 > , Passat 2011 > ,
Passat CC 2009 > ,
Passat Variant 2011 > , Phaeton 2003 > ,
Polo 2010 > , Scirocco 2009 > ,
Sharan 2011 > , Tiguan 2008 > ,
Touareg 2010 > , Touran 2003 > ,
up! 2012 >



List of Workshop Manual Repair Groups

Repair Group

44 - Wheels, tyres, vehicle geometry

Technical information should always be available to the foremen and mechanics, because their careful and constant adherence to the instructions is essential to ensure vehicle road-worthiness and safety. In addition, the normal basic safety precautions for working on motor vehicles must, as a matter of course, be observed.

All rights reserved.
No reproduction without prior agreement from publisher.



Contents

44 - Wheels, tyres, vehicle geometry	1
1 General notes on wheels and tyres (passenger cars)	1
2 Legislative and technical conditions for converting wheel and tyre combinations	3
2.1 Legislative conditions for converting wheel and tyre combinations	3
2.2 Technical conditions for converting wheel and tyre combinations	3
2.3 Additional wheel housing extensions (flaps)	4
2.4 „Series 80“ tyres	4
3 Documents and codes/designations	5
3.1 New vehicle registration documents since 01.10.2005	5
3.2 COC document (EEC Certificate of Conformity)	6
3.3 EU general type approval number, sales type and sales or trade designation	6
4 Useful information regarding tyres	8
4.1 Identification markings on the tyre sidewall	8
4.2 Explanation of tyre markings	9
4.3 Speed ratings for tyres	10
4.4 Undulations	11
4.5 Tyre storage	12
4.6 Tyre ageing	12
4.7 Tyre sizes for vehicles with four-wheel drive	14
4.8 Winter tyres	14
4.9 Winter tyres with speed symbol „V“	15
4.10 Extra Load (XL) V winter tyres	16
4.11 Maximum speeds for V and Extra Load (XL) winter tyres	16
4.12 Reinforced and Extra Load (XL) tyres	17
4.13 Snow chains	17
5 Tyre wear/ mileage for passenger car tyres	19
5.1 General	19
5.2 Requirements to be met by tyres	19
5.3 Wear behaviour of high-speed tyres	20
5.4 Factors influencing the service life of a tyre	20
5.5 Driving style	20
5.6 Tyre maintenance	21
5.7 Evenly worn tyres	22
5.8 Measuring tread depth	23
5.9 One-sided wear	23
5.10 Outer shoulder wear	26
5.11 Wear in middle of tyre	26
5.12 Diagonal washout	28
6 Tyre noise	29
6.1 General notes on tyre noise	29
6.2 Saw-tooth wear	29
6.3 Flat spots (from locking wheels)	30
7 Vehicle pulls to one side	32
7.1 General	32
7.2 Conicity	32
7.3 Remedies when vehicle pulls to one side	33
7.4 Strategic rotation of wheels for non-directional tyres	34
7.5 Strategic rotation of wheels having unidirectional tyres	35
8 Tyre damage	37
8.1 General information	37
8.2 Construction of a radial belted tyre	38
8.3 Impact damage	38



8.4	Cuts	40
8.5	Damage caused by foreign bodies	40
8.6	Loss of air from tyre	40
8.7	Tyre pressure	40
8.8	Tyre damage due to insufficient tyre pressure	41
8.9	Rising tyre temperature caused by insufficient inflation pressure	42
8.10	Tyre damage due to fitting error (fitting damage)	43
9	Tyres with run-flat properties	45
9.1	General	45
9.2	Design and identification	46
9.3	Retrofitting/requirements when using run-flat tyres	46
9.4	Repairs	47
10	Rolling resistance optimised tyres	48
11	Facts about disc-type wheels (passenger cars)	49
11.1	Design of disc-type wheel	49
11.2	Data on wheel rims	49
11.3	Wheel rims - pitch circle diameter	50
11.4	Split rim composite wheels	50
11.5	Alloy wheels with exchangeable trim elements	50
11.6	Alloy wheels with exchangeable trim elements (Zaragoza)	51
11.7	Care and maintenance of alloy wheel rims	55
11.8	Restoring alloy wheels	55
11.9	The valve	57
12	Notes on use of temporary spare wheels	58
13	Fox from model year 2006	59
13.1	Fox, type 5Z model year 2006 to model year 2012	59
13.2	Wheel allocation for Fox, type 5Z model year 2006 to model year 2012	60
14	up! from model year 2012	66
14.1	Advance information about up! Model year 2012	66
15	Polo from model year 2010	67
15.1	Polo, type 6R model year 2010 to model year 2012	67
15.2	Wheel allocation for Polo, type 6R model year 2010 to model year 2012	69
16	Polo BlueMotion from model year 2010	73
16.1	Polo BlueMotion, type 6R model year 2010 to model year 2012	73
16.2	Wheel allocation for Polo BlueMotion, type 6R model year 2010 to model year 2012	74
17	CrossPolo from model year 2011	77
17.1	CrossPolo, type 6R model year 2011 to model year 2012	77
17.2	Wheel allocation CrossPolo, type 6R model year 2011 to model year 2012	79
18	Polo GTI from model year 2011	84
18.1	Polo GTI, type 6R model year 2011 to model year 2012	84
18.2	Wheel allocation Polo GTI, type 6R model year 2011 to model year 2012	85
19	Golf from model year 2009	88
19.1	Golf, Golf 4Motion, sales type 5K model year 2009 to model year 2012	88
19.2	Wheel allocation for Golf, Golf 4Motion, sales type 5K model year 2009 to model year 2012	92
20	Golf BlueMotion from model year 2009	110
20.1	Golf BlueMotion, sales type 5K model year 2009 to model year 2012	110
20.2	Wheel allocation for Golf BlueMotion, sales type 5K model year 2009 to model year 2012	112
21	Golf GTD from model year 2010	120
21.1	Golf GTD, sales type 5K, model year 2010 to model year 2012	120
21.2	Wheel allocation for Golf GTD, type 5K model year 2010 to model year 2012	122
22	Golf GTI from model year 2010	137
22.1	Golf GTI, sales type 5K, model year 2010 to model year 2012	137



22.2	Wheel allocation for Golf GTI, type 5K model year 2010 to model year 2012	139
23	Golf R from model year 2010	155
23.1	Golf R, sales type 5K model year 2010	155
23.2	Golf R, sales type 5K model year 2011 to model year 2012	156
23.3	Wheel allocation for Golf R, type 5K model year 2010 to model year 2012	157
24	CrossGolf from model year 2011	165
24.1	CrossGolf, sales type 521 model year 2011 to model year 2012	165
24.2	Wheel allocation CrossGolf, sales type 521 model year 2011 to model year 2012	168
25	Golf Cabriolet from model year 2012	182
25.1	Golf Cabriolet, sales type 517 from model year 2012	182
25.2	Wheel allocation Golf Cabriolet, sales type 517 from model year 2012	184
26	Golf Plus from model year 2009	202
26.1	Golf Plus, sales type 521 model year 2009 to model year 2011	202
26.2	Golf Plus, sales type 521 model year 2012	207
26.3	Wheel allocation for Golf Plus, sales type 521 model year 2009 to model year 2012	211
27	Golf Plus BlueMotion from model year 2010	228
27.1	Golf Plus BlueMotion, sales type 521, model year 2010 to model year 2012	228
27.2	Wheel allocation for Golf Plus BlueMotion, sales type 521, model year 2010 to model year 2012	230
28	Golf Variant from model year 2010	239
28.1	Golf Variant, Golf Variant 4Motion, sales type AJ5 model year 2010 to model year 2012	239
28.2	Wheel allocation for Golf Variant, Golf Variant 4Motion, sales type AJ5 model year 2010 to model year 2012	245
29	Golf Variant BlueMotion from model year 2010	263
29.1	Golf Variant BlueMotion, sales type AJ5, model year 2010 to model year 2012	263
29.2	Wheel allocation for Golf Variant BlueMotion, sales type AJ5, model year 2010 to model year 2012	264
30	Jetta from model year 2011	273
30.1	Jetta, sales type 162 model year 2011 to model year 2012	273
30.2	Wheel allocation Jetta, sales type 162 model year 2011	276
31	Jetta from model year 2011 (NAR)	293
31.1	Jetta, sales type 162 from model year 2011 (NAR)	293
31.2	Wheel allocation for Jetta, sales type 162 from model year 2011 (NAR)	295
32	Beetle from model year 2012	311
32.1	Beetle, sales type 5C1, from model year 2012	311
32.2	Beetle, sales type 5C1, from model year 2012	312
33	Scirocco from model year 2009	317
33.1	Scirocco, sales type 137, model year 2009 to model year 2011	317
33.2	Scirocco, sales type 137 model year 2012	320
33.3	Wheel allocation for Scirocco, sales type 137 model year 2009 to model year 2012	322
34	Scirocco R from model year 2010	328
34.1	Scirocco R, sales type 137, model year 2010 to model year 2011	328
34.2	Scirocco R, sales type 137 model year 2012	329
34.3	Wheel allocation for Scirocco R, sales type 137, model year 2010 to model year 2012	330
35	Touran from model year 2003	336
35.1	Touran, type 1T model year 2003 to model year 2006	336
35.2	Touran, type 1T model year 2007 to model year 2010	339
35.3	Touran, type 1T and type 1t model year 2011 to model year 2012	344
35.4	Wheel allocation Touran, type 1T and type 1t model year 2003 to model year 2012	349
36	CrossTouran from model year 2008	359
36.1	CrossTouran, type 1T model year 2008 to model year 2009	359
36.2	CrossTouran, type 1T and type 1t model year 2010 to model year 2012	362



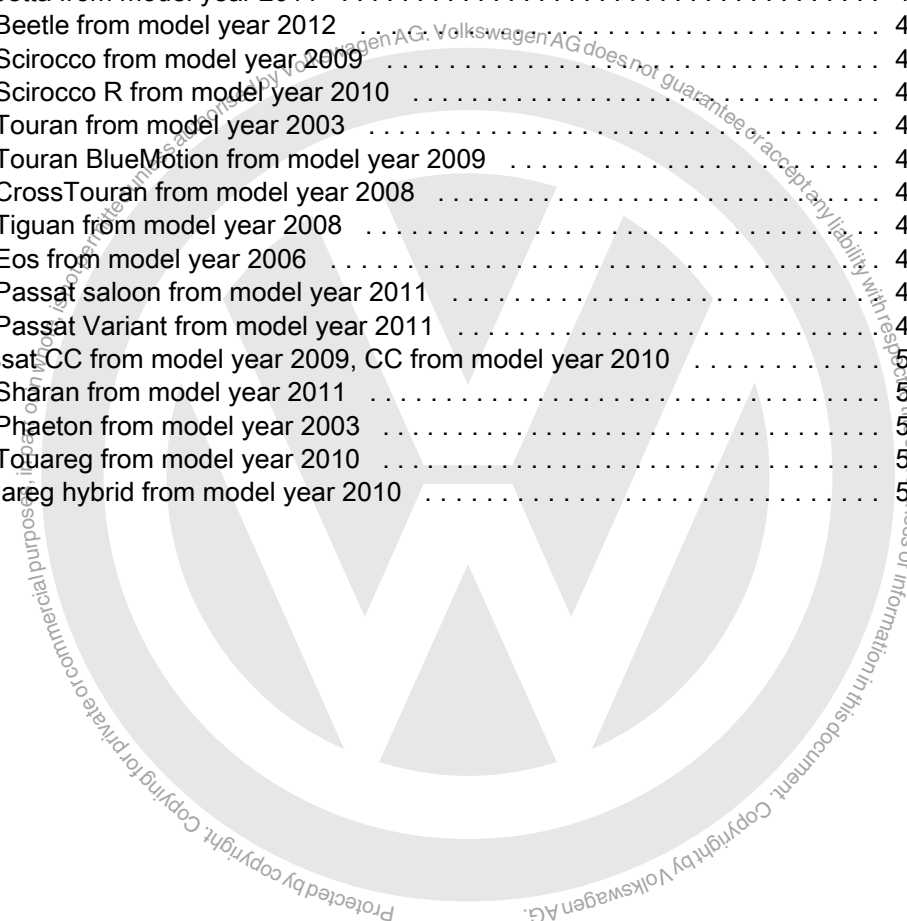
36.3	Wheel allocation CrossTouran, type 1T and type 1t model year 2008 to model year 2012	366
37	Touran BlueMotion from model year 2009	369
37.1	Touran BlueMotion, type 1T and type 1t model year 2009 to model year 2012	369
37.2	Wheel allocation Touran BlueMotion, type 1T and type 1t model year 2009 to model year 2012	371
38	Tiguan from model year 2008	379
38.1	Tiguan, type 5N model year 2008 to model year 2011	379
38.2	Tiguan, type 5N, model year 2012	380
38.3	Wheel allocation for Tiguan, type 5N model year 2008 to model year 2012	382
39	Eos from model year 2006	387
39.1	Eos, type 1F from model year 2006	387
39.2	Eos, type 1F model year 2007 to model year 2012	388
39.3	Wheel allocation for Eos, type 1F model year 2006 to model year 2012	391
40	Passat saloon from model year 2011	401
40.1	Passat saloon, sales type 362 model year 2011 to model year 2012	401
40.2	Wheel allocation Passat saloon, sales type 362 model year 2011 to model year 2012	406
41	Passat Variant from model year 2011	412
41.1	Passat estate, sales type 365 model year 2011 to model year 2012	412
41.2	Wheel allocation Passat estate, sales type 365 model year 2011 to model year 2012	417
42	Passat CC from model year 2009, CC from model year 2010	423
42.1	Passat CC, sales type 357 model year 2009	423
42.2	Passat CC, CC, sales type 357 model year 2010 to model year 2012	425
42.3	Wheel allocation Passat CC, CC, sales type 357 model year 2009 to model year 2012	426
43	Phaeton from model year 2003	431
43.1	Phaeton, type 3D, model year 2003 to model year 2009 - short and long wheelbase	431
43.2	Phaeton, type 3D and type 3d, model year 2010 to model year 2012 - short and long wheelbase	434
43.3	Wheel allocation for Phaeton, type 3D and type 3d, model year 2003 to model year 2012 - short and long wheelbase	436
44	Sharan from model year 2011	444
44.1	Sharan, Sharan 4Motion, type 7N model year 2011 to model year 2012	444
44.2	Wheel allocation Sharan, Sharan 4Motion, type 7N model year 2011 to model year 2012	446
45	Touareg from model year 2010	449
45.1	Touareg, type 7P and type 7p, model year 2010 to model year 2012	449
45.2	Wheel allocation for Touareg, type 7P and type 7p, model year 2010 to model year 2012	451
46	Touareg hybrid from model year 2011	456
46.1	Touareg hybrid, type 7PH and type 7pH, model year 2011 to model year 2012	456
46.2	Wheel allocation Touareg hybrid, type 7PH and type 7pH, model year 2011 to model year 2012	457
47	Breakdown set for VW Vehicles	460
48	Temporary spare tyres and wheels for VW vehicles	461
49	Recommended summer tyres	462
49.1	Summer tyres for Fox from model year 2006	462
49.2	Summer tyres for Polo from model year 2010	462
49.3	Summer tyres for Polo BlueMotion from model year 2010	463
49.4	Summer tyres for CrossPolo from model year 2011	464
49.5	Summer tyres for Polo GTI from model year 2011	464
49.6	Summer tyres for Golf from model year 2009	465
49.7	Summer tyres for Golf BlueMotion from model year 2009	466
49.8	Summer tyres for Golf GTD from model year 2009	467
49.9	Summer tyres for Golf GTI from model year 2009	467
49.10	Summer tyres for Golf R from model year 2010	468



49.11	Summer tyres for CrossGolf from model year 2011	469
49.12	Summer tyres Golf Cabriolet from model year 2012	470
49.13	Summer tyres for Golf Plus from model year 2009	471
49.14	Summer tyres for Golf Plus BlueMotion from model year 2010	472
49.15	Summer tyres for Golf Variant from model year 2010	473
49.16	Summer tyres for Golf Variant BlueMotion from model year 2010	474
49.17	Summer tyres for Jetta from model year 2011	475
49.18	Summer tyres for Beetle from model year 2012	477
49.19	Summer tyres for Scirocco from model year 2009	477
49.20	Summer tyres for Scirocco R from model year 2010	477
49.21	Summer tyres for Touran from model year 2003	478
49.22	Summer tyres for Touran BlueMotion from model year 2009	478
49.23	Summer tyres for CrossTouran from model year 2008	479
49.24	Summer tyres for Tiguan from model year 2008	479
49.25	Summer tyres for Eos from model year 2006	480
49.26	Summer tyres for Passat saloon from model year 2011	480
49.27	Summer tyres for Passat Variant from model year 2011	481
49.28	Summer tyres Passat CC from model year 2009, CC from model year 2010	482
49.29	Summer tyres for Sharan from model year 2011	482
49.30	Summer tyres for Phaeton from model year 2003	482
49.31	Summer tyres for Touareg from model year 2010	483
49.32	Summer tyres for Touareg hybrid from model year 2011	483
50	Recommended all-season tyres	484
50.1	All-season tyres for Polo from model year 2010	484
50.2	All-season tyres for Polo BlueMotion from model year 2010	484
50.3	All-season tyres for CrossPolo from model year 2011	484
50.4	All-season tyres for Polo GTI from model year 2011	485
50.5	All-season tyres for Golf from model year 2009	485
50.6	All-season tyres for CrossGolf from model year 2011	485
50.7	All-weather tyres Golf Cabriolet from model year 2012	486
50.8	All-season tyres for Golf Plus from model year 2009	486
50.9	All-season tyres for Golf Variant from model year 2010	487
50.10	All-season tyres for Jetta from model year 2011	487
50.11	All-season tyres for Jetta from model year 2011 (NAR)	487
50.12	All-season tyres for Touran from model year 2003	488
50.13	All-season tyres for Beetle from model year 2012	488
50.14	All-season tyres for Tiguan from model year 2008	488
50.15	All-season tyres for Eos from model year 2006	488
50.16	All-season tyres for Passat saloon from model year 2011	489
50.17	All-season tyres for Passat Variant from model year 2011	489
50.18	All-season tyres Passat CC from model year 2009, CC from model year 2010	489
50.19	All-season tyres for Sharan from model year 2011	490
50.20	All-season tyres for Phaeton from model year 2003	490
50.21	All-season tyres for Touareg from model year 2010	490
50.22	All-season tyres Touareg hybrid from model year 2010	490
51	Recommended winter tyres	492
51.1	Winter tyres for Fox from model year 2006	492
51.2	Winter tyres for Polo from model year 2010	492
51.3	Winter tyres for Polo BlueMotion from model year 2010	493
51.4	Winter tyres for CrossPolo from model year 2011	493
51.5	Winter tyres for Polo GTI from model year 2011	493
51.6	Winter tyres for Golf from model year 2009	493
51.7	Winter tyres for Golf BlueMotion from model year 2009	494
51.8	Winter tyres for Golf GTD from model year 2009	494
51.9	Winter tyres for Golf GTI from model year 2009	494
51.10	Winter tyres for Golf R from model year 2010	494



51.11	Winter tyres for CrossGolf from model year 2011	495
51.12	Winter tyres Golf Cabriolet from model year 2012	495
51.13	Winter tyres for Golf Plus from model year 2009	495
51.14	Winter tyres for Golf Plus BlueMotion from model year 2010	496
51.15	Winter tyres for Golf Variant from model year 2010	496
51.16	Winter tyres for Golf Variant BlueMotion from model year 2010	496
51.17	Winter tyres for Jetta from model year 2011	497
51.18	Winter tyres for Beetle from model year 2012	497
51.19	Winter tyres for Scirocco from model year 2009	497
51.20	Winter tyres for Scirocco R from model year 2010	497
51.21	Winter tyres for Touran from model year 2003	498
51.22	Winter tyres for Touran BlueMotion from model year 2009	498
51.23	Winter tyres for CrossTouran from model year 2008	498
51.24	Winter tyres for Tiguan from model year 2008	499
51.25	Winter tyres for Eos from model year 2006	499
51.26	Winter tyres for Passat saloon from model year 2011	499
51.27	Winter tyres for Passat Variant from model year 2011	499
51.28	Winter tyres Passat CC from model year 2009, CC from model year 2010	500
51.29	Winter tyres for Sharan from model year 2011	500
51.30	Winter tyres for Phaeton from model year 2003	500
51.31	Winter tyres for Touareg from model year 2010	500
51.32	Winter tyres Touareg hybrid from model year 2010	501





44 – Wheels, tyres, vehicle geometry

1 General notes on wheels and tyres (passenger cars)

This information is intended to help you form an opinion as precise and accurate as possible in cases of tyre damage and other complaints.

In this chapter you will learn more about tyres and wheels/rims.

Tyres are high-tech products that are especially adapted to the requirements of modern vehicles.

As with all highly developed technical products, tyres require proper care, maintenance and service. This is essential to ensure safety, performance and comfort for the entire service life of the tyre.

Tyres are constantly being further developed. Quality tyres are the result of modern design methods and production processes, as well as continuous quality checks. All tyres that are recommended by VW have been tested by the technical development department and have been designed specifically for each model in collaboration with the tyre manufacturers.

We therefore recommend fitting only the recommended tyre makes when renewing tyres.

Vehicle safety is the top priority. With regard to the various operating conditions such as

- differing speed ranges,
- winter and summer use and
- wet and dry roads,

the optimal compromise for vehicle safety must be found.

Every tyre is subjected to a wide range of different driving conditions over its entire service life. It is therefore important that the basic requirements for ensuring optimal tyre performance are met.

Proper adjustment of the axle geometry during wheel alignment is an important prerequisite for ensuring the maximum service life of the tyre. The wheel alignment must always be within the specified tolerance range.

Information for wheel alignment → Running gear, axles, steering;
Rep. gr. 44 .



Note

Tyre damage and related problems can have various causes. It is therefore very important that one determines whether the problem has been caused by the tyre or by other components.

Normal wear and tear on a tyre will alter its characteristics. Rolling noises or rough running can be the result of such wear. These are simply the symptoms of normal wear and tear and do not constitute damage in the sense of the tyre being defective. You can take measures to eliminate the symptoms at least to some degree. However, in some cases it may not be possible to eliminate tyre noise completely.



Special models

Special models are only partly represented in the certificate statements. Modification of these vehicles depends on the engine capacity of the basic model.





2 Legislative and technical conditions for converting wheel and tyre combinations

2.1 Legislative conditions for converting wheel and tyre combinations

The manufacturer is issued with a general operating permit (GTA in accordance with § 20 StVZO (German road traffic and licensing regulations) and EU operating permit) for the overall vehicle with all parts for specific conversions.

Conversions of wheels and tyres can only be carried out under certain conditions. When doing this, the following points must be observed:

- ◆ If the size of wheel and tyre, with an indication of the load index and the speed symbol, is included in the vehicle GTA and EU operating permit/type approval ⇒ [page 6](#), this wheel and tyre combination can be fitted on the vehicle without any problem.

It is not necessary for the wheel and tyre combination specified in the registration certificate part I (certificate of registration) to be fitted. All combinations approved in the vehicle GTA or EU operating permit/type approval ⇒ [page 6](#) may be fitted to the vehicle.

- ◆ For the conversions recommended by VOLKSWAGEN AG (see appendix for certificate statements) there are no general operating permits in accordance with § 22 StVZO (German road traffic and licensing regulations).
- ◆ Unless the wheels and/or tyres are included in the relevant vehicle GTA or EU operating permit/type approval, the vehicle will no longer meet the requirements of the road traffic regulations if converted.

These versions are based on the conditions valid in the European Union and no guarantee can be provided for their completeness. In some cases there are different legislative requirements outside the European Union.

The table included in the attached certificate statements shows the VOLKSWAGEN AG recommended and TÜV NORD Mobilität GmbH Co. KG tested wheel and tyre combinations on VW vehicles and also the conditions to be observed for fitting. The use of genuine disc-type wheels on a vehicle to which they have not been allocated is not permissible.

The list of possible conversions deals with combinations that meet the requirements of VOLKSWAGEN AG with regards to road handling and road safety. They are the result of practical trials and are therefore recommended by VOLKSWAGEN AG.

Refer also to the new vehicle registration documents that were issued from 01.10.2005 ⇒ [page 5](#).

2.2 Technical conditions for converting wheel and tyre combinations

- The wheel and tyre combinations and conversions listed in the tables of the individual vehicles refer exclusively to Volkswagen genuine disc-type wheels.



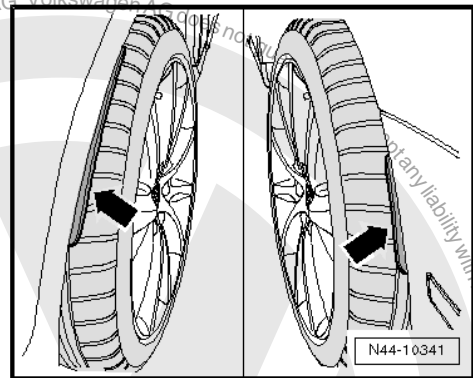
- Approval of wheel and tyre combinations or a change to wheels from the accessories trade is not possible with the certificate statement attached here.
- Tubeless radial tyres may only be fitted to rims with a safety hump feature on the shoulder.
- Tyres with run-flat properties (reinforced side walls) may only be used on disc-type wheels with an extended hump and on vehicles with a tyre pressure monitoring system
⇒ [page 46](#) .
- If the wheel and tyre combinations listed are used, the associated tyre inflation pressures must be adhered to. The tyre inflation pressures for summer tyres can be found on the sticker on the inside of the tank flap or in the tables of the individual vehicles.
- Sufficient clearance to the wheels and tyres at parts of the wheel housing, suspension and braking system is assured if the notes and specifications established in the certificate statement are observed in all operating conditions.
- Unless otherwise stated, snow chains may only be fitted to the drive wheels. On all-wheel drive vehicles, however, only the front wheels may be fitted with snow chains with the exception of the Touareg (rear wheels may also be fitted with snow chains).

2.3 Additional wheel housing extensions (flaps)

For technical reasons some vehicles require wheel housing extensions (flaps) on the wing or bumper -arrows- when using certain wheel and tyre combinations.

Please check if there is a requirement to remove the flaps.

The information is located in the overview table for the respective vehicle.



2.4 „Series 80“ tyres

Tyres of the „80“ series (e.g. 145/80 R 13 74 S) will replace the „82“ series (e.g. 145/82 R 13 74 S). Lawmakers have stipulated that „82“ series tyres may be replaced by „80“ series tyres without having been entered in the vehicle documents.

The condition for this is that the „80“ series tyres have the same width, be of the same type – cross-ply or radial belted – and have the same or higher load index.

If only „80“ series tyres are entered in the vehicle documents, „82“ series tyres may only be used if an entry has been made in the vehicle documents.



3 Documents and codes/designations

3.1 New vehicle registration documents since 01.10.2005

The implementation of EU Directive 1999/37/EU "Registration Documents for Vehicles" in national law and legal requirements for data protection have necessitated the introduction of new, falsification-proof registration documents.

Since 01.10.2005, only the new documents are issued by the registration authorities in the event of new registrations, change of ownership, registration of technical modifications and all other matters.

The new registration documents are comprised of:

- ◆ Registration certificate part I, which replaces the certificate of registration and
- ◆ Registration certificate part II, which replaces the vehicle log book.

Registration certificate part I (certificate of registration)

- ◆ Contains all vehicle technical data which must be available to register a vehicle in Europe; however, only one wheel and tyre combination approved as standard is specified
- ◆ Contains the EU-wide, standardised, alphanumeric codes assigned to the technical data, so that the German registration certificate can be converted without problems into the registration document prescribed in non-member European countries for registration there
- ◆ Contains a field for documenting temporary or final immobilisation of the vehicle, and is therefore no longer withdrawn in the event of temporary or final immobilisation

Registration certificate part II (vehicle log book)

- ◆ Contains the note that the holder of the registration certificate is not identified as the owner
- ◆ Contains only the current and, if applicable, the last vehicle owner; the actual number of previous owners is shown numerically
- ◆ Contains only a small percentage of the technical vehicle data
- ◆ No longer serves to document temporary vehicle deregistration. The vehicle and body type specified under number 1 in the old vehicle documents will not exist in the future. In the new documents, this will be replaced by standardised EU vehicle classes with body type

Introduction of the new registration documents will lead to barely any changes for the vehicle operator.

Like the old certificate of registration, the registration certificate part I (certificate of registration) must be kept in the vehicle and submitted to responsible persons on request.

It is not necessary for the wheel and tyre combination specified in the registration certificate part I (certificate of registration) to be fitted. All combinations approved according to the general vehicle type approval or EU type approval ⇒ [page 6](#) may be fitted.

The validity of a wheel and tyre combination which deviates from the general vehicle type approval or EU type approval must still be verified via an entry in the registration certificate part I (certificate of registration), an installation certificate based on a part



certificate or general type approval for the wheel and tyre combination.

3.2 COC document (EEC Certificate of Conformity)

Manufactures of motorized vehicles must apply for an EU operating permit for all class M1 passenger carrying vehicles.

A certificate is produced on the basis of this operating permit - the COC (Certificate of Conformity).

This document certifies that the vehicle complies with the EU operating permit (EU type approval) and can be registered in every EU country without an individual type approval.

The document will be issued for all vehicles that comply with the EU operating permit.

These vehicles have an EU type plate (black sticker) in the area of the driver's door, or in the case of older vehicles, in the engine compartment.

The COC document has the same value as the registration document and therefore the original should not be carried on the vehicle.

The COC document contains the EU general type approval number => [page 6](#) and detailed technical information on the vehicle such as emissions classification and all the permitted wheel and tyre combinations.

3.3 EU general type approval number, sales type and sales or trade designation

Since 1.1.1998, all passenger cars licensed within the European Union must have a type approval corresponding to EU guidelines. Vehicles licensed for road use with single-vehicle approval according to § 21 StVZO in Germany are excepted.

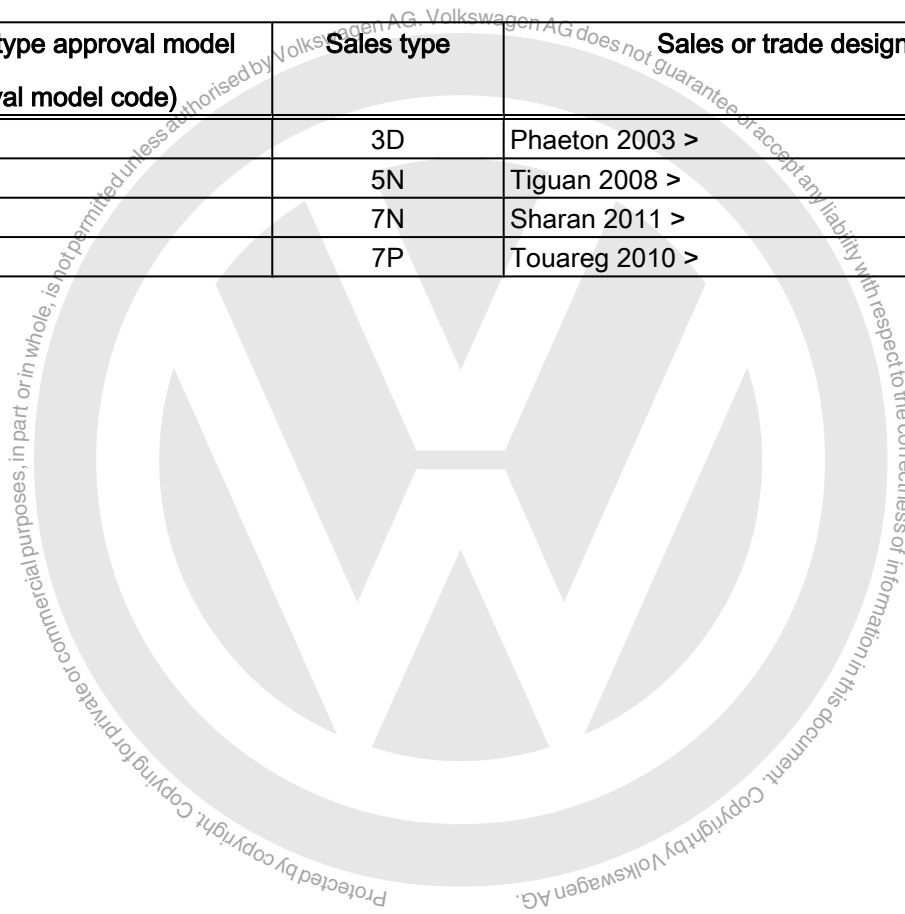
This means the same guidelines apply to all vehicle manufacturers. This makes it easier to trade across national borders within the EU.

The COC document contains the EU general type approval number and detailed technical information on the vehicle such as emissions classification and all the permitted wheel and tyre combinations => [page 6](#) .

EU general type approval model code (type approval model code)	Sales type	Sales or trade designation
5Z	5Z	Fox 2006 >
6R	6R	Polo 2010 >
1K	5K	Golf 2009 >
1K	517	Golf Cabriolet 2012 >
16	162	Jetta 2011 >
1KM	AJ5	Golf Variant 2010 >
1KP	521	Golf Plus 2009 >
1T	1T	Touran 2003 >; Cross Touran 2008 >
16	5C1	Beetle 2012 >
13	137	Scirocco 2009 >
1F	1F	Eos 2006 >
3C	362	Passat saloon 2011 >
3C	365	Passat Variant 2011 >
3CC	357	Passat CC 2009 >, CC 2010 >



EU general type approval model code (type approval model code)	Sales type	Sales or trade designation
3D	3D	Phaeton 2003 >
5N	5N	Tiguan 2008 >
7N	7N	Sharan 2011 >
7P	7P	Touareg 2010 >





4 Useful information regarding tyres

4.1 Identification markings on the tyre sidewall

Example: Continental ContiPremiumContact 2

1 - Size code

- e.g. 205/55 R 16
⇒ [page 9](#)

2 - Position of TWIs (Tread Wear Indicators)

3 - Manufacturer (trade name)

4 - Construction

- Radial - radial cord direction in carcass
- Tubeless - code for tubeless tyres

5 - Load capacity index / speed rating

- e.g. 91 ⇒ [page 10](#)
- e.g. H ⇒ [page 9](#)

6 - Specified direction of rotation/installation for tyre

7 - Maximum permissible load

- Data for North America

8 - Maximum permissible tyre pressure

- Data for North America

9 - Number of plies in the centre of the tread and in the sidewalls as well as information about the material

10 - E number = Approval number

- Tyre fulfils European guidelines

11 - Manufacturer code / date of manufacture

- Identification number for manufacturer's plant, tyre size and tyre model
- Tyre ageing / date of manufacture ⇒ [page 12](#)

12 - DOT - Department of Transportation

- Tyre fulfils standards of the Department of Transportation of the United States of America

13 - Marking for Brazil

14 - Marking for China

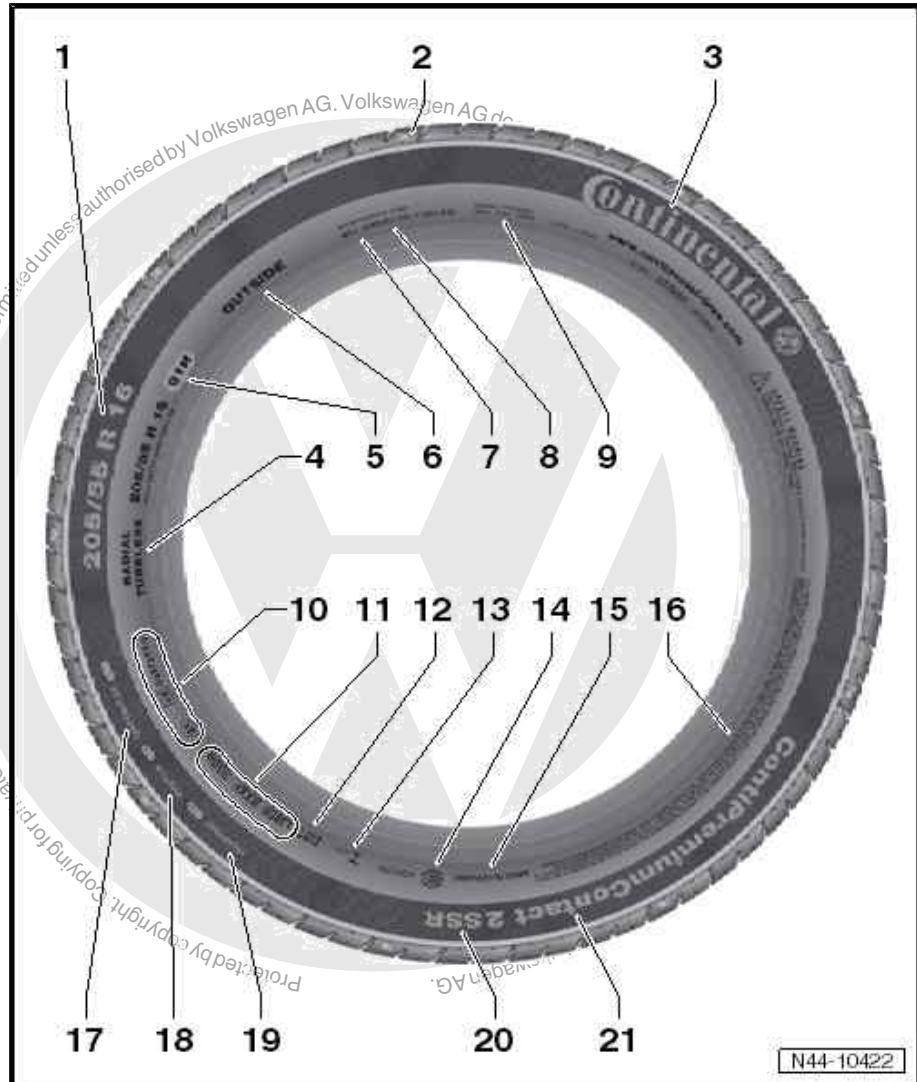
15 - Country of origin

- e.g. manufactured in Germany (Made in Germany)

16 - Safety notes for use or fitting of tyre

17 - Relative expected service life - abrasion resistance

- based on a US standard test





18 - Rating of wet-braking traction, A, B or C

- According to a US test

19 - Rating of temperature resistance, A, B or C

- According to a US test

20 - Identifying tyres with run-flat properties

- e.g. self-supporting run-flat
- Identifying tyres with run-flat properties ⇒ [page 46](#)

21 - Tread pattern

- e.g. ContiPremiumContact

4.2 Explanation of tyre markings

Explanation of tyre dimensions

Tyres	Speed	1	2	3	4	5	6	7
Summer tyres	to 240 km/h	195	65	R	15	91	V	-
Winter tyres	to 160 km/h	195	65	R	15	91	Q	M + S
Winter tyres	to 190 km/h	195	65	R	15	91	T	M + S
High-speed tyres	faster than 240 km/h	225	50	ZR	16	91	-	-

- 1 - Tyre width
- 2 - Aspect ratio in %
- 3 - Code for tyre construction „R“ indicates radial
- 4 - Rim diameter designation
- 5 - Load rating code/load index (LI)
- 6 - Speed rating code
- 7 - Winter tyre/code for all-season tyre

Speed rating / maximum speed

Speed rating code	Maximum speed in km/h
L	120
M	130
N	140
P	150
Q	160
R	170
S	180
T	190
U	200
H	210
V	240
ZR	above 240
W	270
Y	300



Load rating code / load index (LI)

The load rating can be found on the sidewall of the tyre. It provides information about the maximum load that the tyre can bear.

The load rating is included in the size designation of the tyre (e.g. 195/65 R 15 91T). It is indicated on the tyre as a code according to ETRTO. The following table shows the load rating codes used at VW with the corresponding load capacity of the tyres.

Load rating code	Maximum load of tyre in kg
75	387
78	425
79	437
80	450
81	462
82	475
83	487
84	500
85	515
86	530
87	545
88	560
89	580
90	600
91	615
92	630
93	650
94	670
95	690
96	710
97	730
98	750
99	775
100	800
101	825
102	850
103	875
104	900
110	1060
112	1120

4.3 Speed ratings for tyres

The speed rating (e.g. „T“) following the size of the tyre (e.g. 185/65 R 14 86T)) indicates the maximum permitted speed (v_{max}) of the tyre.

The tyres for the vehicle must be selected so that their maximum permitted speed is greater than the maximum speed that the vehicle („based on model“) can attain.



Vehicles with national type approval

If the vehicle has a national type approval, the maximum speed for the vehicle is calculated as follows:

Formula for vehicles with v_{\max} up to 150 km/h

$$v_{\max} = 1.03 \times v + 3.5 \text{ km/h} \Rightarrow \text{page 11}$$

Example: Specified maximum speed $v = 145 \text{ km/h}$

$$v_{\max} = 1.03 \times 145 \text{ km/h} + 3.5 \text{ km/h} = 152.85 \text{ km/h}$$

In this example, a tyre with the speed rating „Q“ or higher must be used.

Formula for vehicles with v_{\max} above 151 km/h

$$v_{\max} = 1.01 \times v + 6.5 \text{ km/h} \Rightarrow \text{page 11}$$

Example: Specified maximum speed $v = 163 \text{ km/h}$

$$v_{\max} = 1.01 \times 163 \text{ km/h} + 6.5 \text{ km/h} = 171.13 \text{ km/h}$$

In this example, a tyre with the speed rating „S“ or higher must be used.

Vehicles with EC type approval

If your vehicle has an EC type approval, the maximum speed for all vehicles is calculated as follows:

$$v_{\max} = 1.05 \times v \Rightarrow \text{page 11}$$

Example: Specified maximum speed $v = 172 \text{ km/h}$

$$v_{\max} = 1.05 \times 172 \text{ km/h} = 180.60 \text{ km/h}$$

In this example, a tyre with the speed rating „T“ or higher must be used.

It is permitted to use tyres with a higher speed rating. The same applies to tyres with a higher load index.



Note

For the letter „v“, enter the maximum speed given in field „T“ of part I or II of the registration document or under number 6 of the vehicle documentation. This calculation is necessary because all vehicles, for technical reasons, achieve different maximum speeds within a legally permitted tolerance.

4.4 Undulations

Radial depressions are slight concavities in the tyre sidewall.

They run from the bead towards the shoulder of the tyre. These parts appear in the figure \Rightarrow page 32 .

The cause is the accumulation of material at the joints of the tyre components.

Undulations have no effect on:

- ◆ Safety,
- ◆ Service life,
- ◆ Handling or
- ◆ Other characteristics of the tyre.

Undulations are visible to varying extents. It is not necessary to inspect the tyre or remove it from the rim.



What causes undulations?

Modern steel belted tyres are constructed with single-ply side walls to save weight.

The sidewall components consist of long strips before they are joined together to form a tyre. They must overlap at the joints. Consequently, slight irregularities or waves are created in the area of the overlapping parts. The overlaps are easier to see from the outside due to the single-ply construction.

4.5 Tyre storage

Storage room

The conditions have to be:

- dark
- dry,
- cool and
- ventilated

in the tyre storage room.



WARNING

Stored tyres must not come in contact with fuel, oil, grease or chemicals under any circumstances. Otherwise, the material in the tyre will be damaged by chemical reactions which are not always visible.

As a result, dangerous situations can occur when the car is driven.

Of course, tyre damage occurs only if the tyre is in contact with the chemical for a relatively long time. If a few drops of fuel land on a tyre during a fill up, this is of no concern.

Storing the tyres

Complete wheels

Tyres mounted on wheels can be stored flat, stacked one upon the other. In this case, it is important to ensure that the tyres are clean and dry. The inflation pressure should be increased to a maximum of 3 bar.

Tyres without wheels

Tyres without wheels are best stored standing vertically. If tyres are stacked for a long period of time, they will be pressed together quite considerably. The tyres will then be more difficult to fit, as they do not sit on the rim shoulders. If tyres are stored standing vertically, it is recommended to turn them every 14 days to avoid flat spots.

4.6 Tyre ageing

- ◆ Even visually flawless, new or barely used tyres with sufficient tread depth, which are older than six years, may show significant reduction of wet properties and winter suitability due only to ageing.
- ◆ Tyre tests show that a continuous development process, the use of new rubber compounds and modern raw materials, in conjunction with the optimisation of tread design and tread geometry, make it possible to continually improve tyres.
- ◆ Only tyres with state-of-the-art technology can meet the requirements of modern and highly developed vehicles from



Volkswagen and the constantly growing demand from the customer for economical tyres offering maximum possible safety, driving dynamics and comfort.

- ◆ Tyres age as a result of physical and chemical processes, which can impair the function of the tyres. Tyres which are stored for longer periods of time harden and become brittle faster than tyres which are constantly in use on a vehicle.
- ◆ Older tyres may develop hairline cracks as a result of ageing.
- ◆ When tyres are in regular use, the constant flexing activates softeners in the rubber, preventing hardening and the development of cracks.
- ◆ It is therefore important to take into account not only the tread depth, but also the age of spare tyres, stored tyres and tyres which are not permanently in use.
- ◆ The tyre age can be determined from the DOT designation, which includes, among other things, the production date of the tyre.

Example of a DOT number to 31.12.1999

DOT	5	0	9	<
			Stands for 199_	
			Last digit is production year	
	Week			

In this example, the production date is the 50th week of 1999.

Example of a DOT number from 01.01.2000

DO	0	1	0	0
T			Last 2 digits is production year	
	Week			

In this example, the production date is the 1st week of 2000.

Recommendation

- ◆ It is recommended not to use summer and winter tyres which are older than 6 years anymore. The original properties deteriorate due to the aging process. Winter tyres especially lose their adhesion properties.
- ◆ When new tyres are fitted, the spare tyre may also be used if it is in flawless condition and is not more than 6 years old. The age of the tyre has a great influence on the high-speed capability of the tyre. It is possible to combine a spare tyre which is several years old with new tyres; however, this can have an adverse influence on car handling.
- ◆ Tyres are constantly being further developed, which can lead, for example, to slight changes in the rubber compound, even if the tyres are of the same make, size and tread pattern.
- ◆ All VW vehicles are factory-fitted with four identical tyres and wheels.

Front-wheel drive vehicles:

- ◆ For reasons of safety, tyres of the same make and with the same tread pattern should be mounted on one axle.

Four-wheel drive vehicles:



- ◆ Vehicles with four-wheel drive must always be equipped with four wheels with tyres of the same size, construction, tread pattern and make.

Renewing tyres

Tyres must always be renewed when:

- the legal minimum tread depth of 1.6 mm is reached,
- there is visible mechanical damage

4.7 Tyre sizes for vehicles with four-wheel drive

The following points must be observed for vehicles with four-wheel drive:

- ◆ Only tyres of the same make, design and tread pattern may be fitted to the front and rear axles.
- ◆ Different tyre rolling circumferences produce stress in the drive train which increases tyre wear and may damage the drive train.
- ◆ These restrictions also apply to front and rear tyres with greatly differing stages of wear. In such cases, tyres with the most tread must be fitted on the front axle.

4.8 Winter tyres

Use of winter tyres

As of 01.05.2006, a change to the German road traffic regulations (StVO) came into force which caused the following supplement to be made: "The equipment in motor vehicles has to be adapted to the weather conditions. In particular, this includes suitable tyres and antifreeze in the windscreen washing system."

Please point out to customers that, since May 1st 2006, they are legally obliged to adapt their vehicle's equipment, particularly the tyres, to winter weather conditions.

For driving in winter, we recommend that the vehicle be equipped with winter tyres in the sizes recommended in the certificate statements.

As a basic rule:

All tyre sizes listed in the vehicle documents can also be used as winter tyres.

The handling characteristics may be affected by the use of winter tyres and the possible change in the dimensions of the wheel and tyre. Therefore, when using winter tyres, you must adapt your speed to the changed handling characteristics and to the road conditions.

To achieve the best possible handling, winter tyres must be fitted on all wheels.

If the vehicle is equipped with rims other than the factory-fitted rims, you must take the following into consideration when you fit winter tyres:

- ◆ Wheels and wheel bolts are matched.
- ◆ Whenever the wheels are changed, corresponding wheel bolts of the correct length and with the correctly shaped tapered seats are used ¹⁾. The secure fit of the wheels and the functioning of the brakes depends on this.
- ◆ The suitability of winter tyres with less than 4...5 mm tread depth for winter operation is limited.



- ◆ Some countries require winter tyres to have a tread depth of at least 4 mm.
- ◆ We recommend that winter tyres be replaced after no more than six years. The special „winter properties“ of these tyres decline with age, regardless of how much they are used.

Vehicles with tyre pressure control

On vehicles with tyre pressure control, the tyre inflation pressure has to be resaved or matched when changing over between summer and winter tyres ⇒ Workshop manual - Running gear - for relevant model .

1) A spherical cap is the curved surface of a section of a sphere cut by a plane. The tapered seats on the wheel bolt and in the wheel (rim) in the wheel bolt holes are spherical caps.

Registration regulations in the Federal Republic of Germany

Only when winter tyres are in use may the top speed that a vehicle can achieve be greater than the maximum speed specified by the speed symbol of the tyre.

In this case, a label stating the following must be attached:

Important! Winter tyres!
Maximum speed ... km/h



Note

This label must be clearly visible to the driver!

4.9 Winter tyres with speed symbol „V“

The tyre industry now supplies winter tyres with speed symbol "V". But only under certain conditions may these tyres be used up to the maximum permitted speed $v_{max} = 240$ km/h.

Vehicles with V tyres

Vehicles requiring V tyres according to the vehicle's title document can use winter tyres with speed symbol V without restriction at speeds up to $v_{max} = 240$ km/h.

Vehicles with W, Y or ZR tyres:

Under certain circumstances, vehicles requiring W, Y or ZR tyres according to the vehicle's title document may not be driven at speeds of $v_{max} = 240$ km/h.

Why?

V summer tyres and V winter tyres without special identification ⇒ [page 16](#) have 100 % of their maximum load capacity (as specified by their load index „LI“) ⇒ [page 15](#) only up to speeds of 210 km/h.

Travelling at over 210 km/h is possible with V winter tyres only if the maximum load of the tyres is not exceeded. The load capacity of the tyres decreases as the speed increases.

The maximum permitted axle load and the maximum achievable speed of some VW vehicles are so high that the load capacity of the V tyres is not sufficient for speeds of up to 240 km/h.

example: Tyre 205/55 R 16

91

V

The load index (LI) 91 certifies that this tyre has a load capacity of 615 kg per tyre at up to 210 km/h.



At a speed of 240 km/h, this tyre can carry a load of only 560 kg, i.e. the axle load may not exceed 1120 kg.

The Passat Variant V6 4Motion has a permitted axle load of 1150 kg and an achievable maximum speed of 232 km/h. This vehicle may only travel at speeds of up to 230 km/h with V winter tyres.

This applies to all V winter tyres without special markings.

4.10 Extra Load (XL) V winter tyres

V winter tyres marked XL have a higher load capacity than V winter tyres without this code.

XL V winter tyres allow a higher speed, but this does not mean that the top speed of a V tyre is 240 km/h for every VW car.

The same conditions apply to these tyres as to V winter tyres without a special code
!

Tyre pressure for Extra Load V tyres

The following table ⇒ [page 16](#) shows how fast VW cars may drive with V winter tyres, depending on their respective axle load.

4.11 Maximum speeds for V and Extra Load (XL) winter tyres

Vehicle	Version	Type of drivetrain	Max. axle load	Winter tyres	v _{max} with V winter tyres
Phaeton 2003 > 3.2l V6 177 kW Short and long wheelbase	Saloon	Front-wheel drive	1,420 kg	235/60 R 16 100 V	240 km/h
				235/55 R 17 99V	235 km/h
				235/50 R 18,101 V extra load	240 km/h
				245/45 R 19 102V extra load	230 km/h
				255/40 R 19,100 V extra load	240 km/h
Phaeton 2003 > 3.0l V6 TDI 165 kW Short and long wheelbase	Saloon	4Motion	1,490 kg	235/55 R 17 99V	220 km/h
				235/50 R 18,101 V extra load	240 km/h
				245/45 R 19 102V extra load	230 km/h
				255/40 R 19,100 V extra load	230 km/h
Phaeton 2003 > 4.2l V8 246 kW Short wheelbase	Saloon	4Motion	1,430 kg	235/55 R 17 99V	235 km/h
				235/50 R 18,101 V extra load	240 km/h
				245/45 R 19 102V extra load	230 km/h
				255/40 R 19,100 V extra load	240 km/h



Vehicle	Version	Type of drivetrain	Max. axle load	Winter tyres	v _{max} with V winter tyres
Phaeton 2003 > 4.2l V8 246 kW Long wheelbase	Saloon	4Motion	1,450 kg	235/55 R 17 99V	230 km/h
				235/50 R 18,101 V extra load	240 km/h
				245/45 R 19 102V extra load	230 km/h
				255/40 R 19,100 V extra load	240 km/h
Phaeton 2003 > 5.0l V10 TDI 230 kW short wheelbase	Saloon	4Motion	1,640 kg	235/50 R 18,101 V extra load	210 km/h
Phaeton 2003 > 5.0l V10 TDI 230 kW long wheelbase	Saloon	4Motion	1,650 kg	235/50 R 18,101 V extra load	210 km/h
Phaeton 2003 > 6.0l W12 309 kW Short and long wheelbase	Saloon	4Motion	1,550 kg	235/50 R 18,101 V extra load	235 km/h
				245/45 R 19 102V extra load	230 km/h
				255/40 R 19,100 V extra load	220 km/h

Registration regulations in the Federal Republic of Germany

Only when winter tyres are in use may the top speed that a vehicle can achieve be greater than the maximum speed specified by the speed symbol of the tyre.

In this case, a label stating the following must be attached:

Important! Winter tyres!
Maximum speed ... km/h



Note

This label must be clearly visible to the driver!

4.12 Reinforced and Extra Load (XL) tyres

Some tyre manufacturers have for some time replaced the designation „Reinforced“ with the designation „Extra Load“. This designation has long been standard in non-European countries. Technically, there is no difference between them.

Some tyre manufacturers also use the designation „XL“ for Extra Load tyres.

Tyres with the designation „Reinforced“ or „Extra Load (XL)“ are of equal quality.

4.13 Snow chains

Snow chains must be fitted to driven wheels only.



On all-wheel drive vehicles, however, only the front wheels may be fitted with snow chains with the exception of the Touareg (rear wheels may also be fitted with snow chains).

It is not possible to use snow chains with all wheel and tyre combinations. Notes on this can be found in the vehicle tables of the certificate statement.

If no particular type of snow chain is specified, then small-link chains may be used. These, including the chain fastener, may not protrude more than 15 mm beyond the wheel's tread and the inner wall.

On some models, only special, small-link chains are possible with certain wheel and tyre combinations. Notes on this can be found in the vehicle tables of the certificate statement.

The maximum speed permitted by law when driving with snow chains is 50 km/h.

Snow chains should be removed when there is no snow on the road. There is no point in having them on the wheels, as they adversely affect the vehicle's handling. It causes unnecessary stress on the tyres and above average wear on the chains.





5 Tyre wear/ mileage for passenger car tyres

5.1 General

A tyre has to meet numerous requirements ⇒ [page 19](#) .

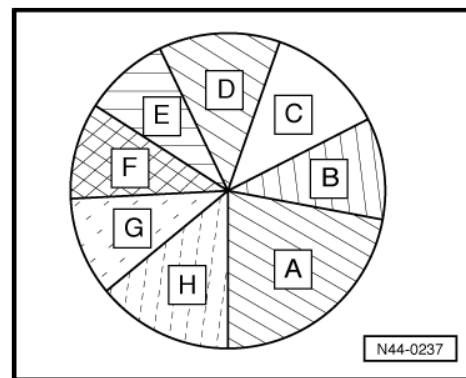
Different types of tyres meet these requirements to varying degrees.

Depending on the conditions in which the tyres are used and on the type of vehicle, some requirements will be more important than others.

H, V, and Z tyres for „high-performance vehicles“ are expected to have good grip on wet and flooded roads. However, mileage performance cannot be as good for tyres of this type as it is, for example, in the case of S or T tyres.

5.2 Requirements to be met by tyres

- A - Wet braking properties
- B - Driving comfort
- C - Steering accuracy
- D - Driving stability
- E - Tyre weight
- F - Life expectancy
- G - Rolling resistance
- H - Aquaplaning



The pie chart illustrates to what extent the tyre meets the various requirements. The tyre in this example (with its specific structure and rubber composition) would meet the requirements listed above (A to H) to the extent indicated by the size of the segments of the pie.

Improving one of the characteristics will have a negative effect on one of the others.

Example:

An improvement in wet braking properties -A- leads to a reduction in driving comfort -B-, rolling resistance -G- and life expectancy -F-.

The life expectancy of passenger vehicle tyres does not just depend on the rubber composition and design of a tyre. The conditions for use, the vehicle-specific circumstances and driving style have a heavy influence on the service life of a tyre.

Modern vehicles enable comfortable and economic driving, but also a more "sporty" driving style. A tyre life of 5,000 to 40,000 km or more is possible.



Note

The driving style is the most important influencing factor as regards the service life of a tyre.



5.3 Wear behaviour of high-speed tyres

These tyres are designed for very high speeds. When developing these tyres, good grip in wet conditions is the main objective. The tread compositions do not have the same wear resistance as T and H tyres for lower speeds.

The life expectancy of high-speed tyres is therefore considerably lower in comparable conditions of use.

5.4 Factors influencing the service life of a tyre

The following factors influence a tyre's service life to varying degrees.

Driving style:

- ◆ Speed ⇒ [page 20](#)
- ◆ Braking ⇒ [page 20](#)
- ◆ Acceleration ⇒ [page 21](#)
- ◆ Cornering ⇒ [page 21](#)

For more information about driving style: ⇒ [page 20](#) .

Maintenance:

- ◆ Tyre pressure ⇒ [page 21](#)

For more information about maintenance: ⇒ [page 21](#) .

Environment:

- ◆ Road surface
- ◆ Ambient temperature and climate

Vehicle:

- ◆ Weight
- ◆ Dynamic toe and camber settings

Tyre use:

- ◆ Speed range
- ◆ Wet or dry

Tyre type:

Winter or summer

5.5 Driving style

I. Steady driving without deceleration or acceleration

Example:

Speed (km/h)	Wheel slip	Wear
100	1	1
180	3	9

II. Braking (driving style)

Most wear is caused during braking.

Example: Braking from a speed of 50 km/h



Braking distance (m)	Deceleration (m/s ²) ²⁾	Wheel slip	Wear
Vehicle allowed to roll to a stop		0	0
100	0.1 x g	4	1
50	0.2 x g	8	4
12.5	0.4 x g ³⁾	32	2000 - 3000

2) g = Freefall acceleration: 9.81 m/s²

3) A deceleration of 0.4 x g corresponds to heavy braking.

III. Acceleration (driving style)

Slip caused when driving off gently is approximately the same as that caused when driving at a constant speed of 100 km/h.

Example:

	Wheel slip	Wear
Driving off gently	1 - 2	1
Driving off normally	7 - 8	5
Driving off with wheels spinning	20 or more	100 - 200

IV. Driving through curves (driving style)

A »sporty« driving style and driving at higher speeds also cause greater wear when driving through corners.

In practice, this means that wear is increased 16-fold when the cornering speed is doubled. This is the price that has to be paid for going faster.

Example: Driving through a curve with a radius of 150 m

Speed (km/h)	Lateral acceleration (m/s ²) ⁴⁾	Wear
50	1 = 0.13 x g	1
80	2.5 = 0.33 x g	6.5
100	4 = 0.53 x g	16

4) g = gravitational acceleration: 9.81 m/s²

5.6 Tyre maintenance

Tyre pressure

The weight of the vehicle causes the tyre contact area to flatten. This in turn causes the running surface and the entire ply of the tyre to be continually deformed when a tyre is rolling. If the tyre is underinflated, the amount of flex is higher, resulting in a greater increase in heat and increased rolling resistance. This then leads to increased wear and poses a greater safety risk.

Example: Specified standard tyre pressure with cold tyres, according to vehicle load

Tyre pressure (bar)	Tyre pressure (%)	Tyre life (%)
2.3	100	100
1.9	80	85
1.4	60	60
1.0	40	25



If tyre pressure is too high, this will result in poor rolling comfort and increased wear across the centre of the tread. We recommend always to maintain the tyre pressure specified by the manufacturer.



Note

- ◆ The diagrams shown are not applicable in all cases.
- ◆ They are intended merely to give an idea of the wear rates of tyres on the front and rear axles and with front-wheel drive and four-wheel drive.
- ◆ The tyre service life may differ significantly, depending on operating conditions and running gear.

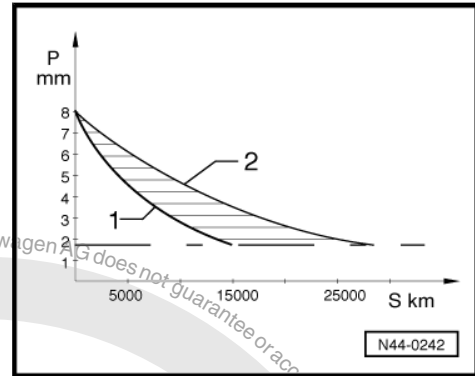


Diagram 1:

Tread depth versus tyre life for vehicles with front-wheel drive and V-rated tyres

P - Tread depth

S - Mileage covered

1 - Front axle

2 - Rear axle

Diagram 2:

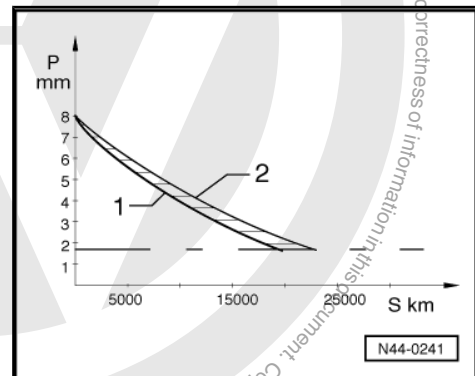
Tread depth over tyre service life for vehicles with four-wheel drive and V-rated tyres

P - Tread depth

S - Mileage covered

1 - Front axle

2 - Rear axle



Diagrams 1 and 2 show that the tread on a new tyre wears faster than that on a heavily used tyre. As the wear curve is not linear, it is not possible to estimate the tyre service life on the basis of wear after the first 5,000 km.

On front-wheel drive vehicles, the front tyres not only have to transmit the steering and driving forces, but also the greater part of the lateral and braking forces. This causes the front tyres on front-wheel drive vehicles to wear much faster than the rear tyres. Even tyre wear can be achieved by rotating (interchanging) the front and rear tyres on a regular basis. Changing wheels ⇒ Running gear, axles steering; Rep. gr. 44 ; Instructions for changing/ fitting wheels .

5.7 Evenly worn tyres

The requirements to be met by tyres are increasing continuously.

This is caused by the following factors:

- ◆ greater vehicle weight
- ◆ high speeds
- ◆ high level of vehicle safety

Greater loads on the tyre will, of course, lead to an increase in tyre wear.



Driving style has a critical effect on tyre wear. For this reason, customer claims regarding tyre wear on evenly worn tyres are not covered by the warranty.

The effective service life of a tyre can be determined only when the remaining tread depth has reached 2 mm (see diagrams => [page 22](#)).

5.8 Measuring tread depth

Note

- ◆ *The tread depth is measured in the main tread channels.*
- ◆ *Do not measure at the TWIs (Tread Wear Indicators).*

Measure the tread depth in the main tread channel, at the points where the tyre is worn most heavily. The position of the TWIs can be seen at various points on the shoulder of the tyre => [Item 2 \(page 8\)](#) .

A „Δ“ or the manufacturer's „logo“ may appear in the place of „TWI“.

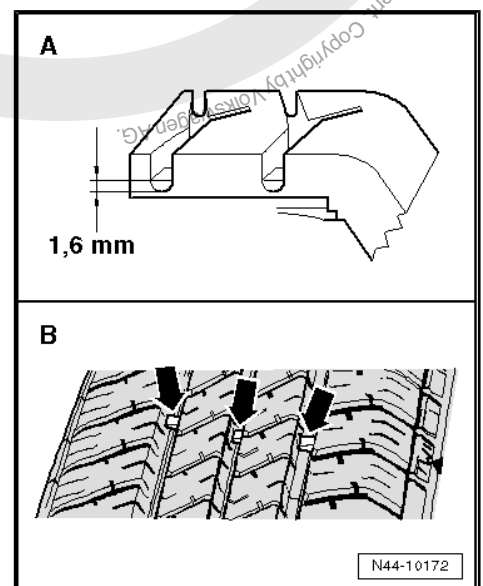
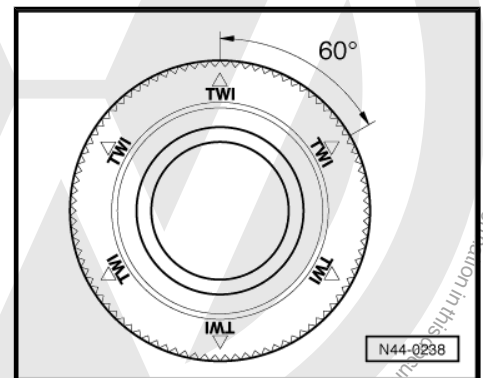
The bars of the TWI have a height of 1.6 mm. This is the minimum tread depth required by German law.

Different values may apply in other countries.

The TWIs must not be included in the measurement. Tread depth should always be measured at the deepest point of the tread channel.

A - TWIs in the main tread channels

B - Main tread channels with TWIs -arrows-



5.9 One-sided wear

This is often caused by driving style, but can be the result of incorrect wheel alignment.



Increased one-sided wear

One-sided wear, usually in conjunction with signs of scuffing on the ribs of the tread and in the fine grooves, always occurs when the tyres have been allowed to roll with an extreme tyre slip angle, causing them to »rub« on the road surface.

Driving fast on a stretch of road with lots of curves will cause increased wear, in particular on the outer shoulder.

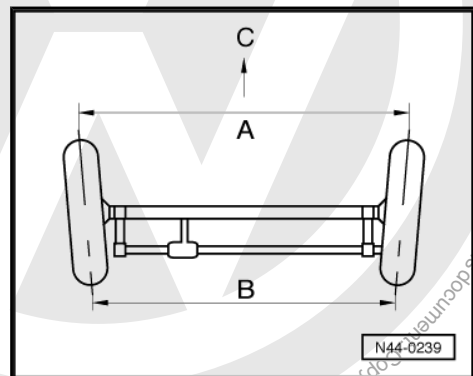
A rounded outer shoulder on the tyre in conjunction with a particularly high degree of wear on the outer tread blocks indicates fast cornering. This wear pattern is influenced by driving style.

To optimise handling, the suspension is set to specified toe-in and camber values. Increased one-sided wear can be expected if tyres are allowed to roll under conditions which differ from those specified.

One-sided wear is especially likely if the toe and camber have not been set correctly. Moreover, there is a greater risk of diagonal washout.

Toe-out or negative toe-in

Distance between front of wheels -A- is greater than distance between rear of wheels -B- (-C- = direction of travel).



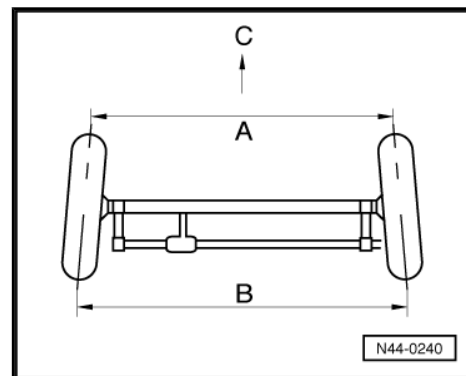


Toe-in or positive toe

Distance between front of wheels -A- is less than distance between rear of wheels -B- (-C- = direction of travel).

To prevent one-sided wear, care must be taken to ensure that the wheel is set within the tolerance specified by the vehicle manufacturer. The most frequent deviation of the wheel alignment is caused by external influences, for example hard contact with the kerbstone when parking.

By measuring the axle geometry, you can check whether the wheel alignment is within the specified tolerances or whether it has to be corrected.



Running gear modifications

Using „suspension-lowering kits“ and/or alloy wheels that have not been recommended by VW may result in altered wheel positions which deviate from the specified alignment.

Even if the axle geometry is correct with the vehicle stationary during wheel alignment, the changed vehicle height and wheel positions can cause the wheel suspension to move differently during operation.

Uneven wear is then unavoidable.

Unsuitable use of self-levelling adjustments on pneumatic suspension system

The use of the offroad level is recommended only for driving off-road. Permanent use of the offroad level during normal road operation can lead to increased tyre wear as the height of the wheel position is different to the road level.

The way to prevent one-sided tyre wear is to ensure the wheel alignment is correct on one hand and on the other hand to make sure the vehicle is used only for its intended purpose:

Regular servicing of the vehicle and tyres helps to prevent tyre wear. The following should be noted in particular with regards to this:

- ◆ The prescribed minimum tyre inflation pressures must be adhered to.
- ◆ Different wear on the front and rear axle depending on the driving style is unavoidable. This condition can be compensated for by rotating the wheels from front to rear. The ideal opportunity to do this, for example, is during the seasonal change between winter and summer tyres. This change also has a positive side effect in that the tyres can wear down equally, meaning that a completely new set of tyres can be fitted. This prevents differences between the tread depths of the tyres on each axle, which can have negative effects on road holding.
- ◆ Saw tooth formation is a normal wear pattern, particularly if the driving style is very careful ⇒ [page 29](#) . This can lead to increased rolling noise, which generally becomes better as the tread depth decreases. In the event of light saw tooth formation or if saw tooth formation is just starting, exchanging the wheels between axles is normally sufficient. If saw tooth formation is very pronounced, the wheels have to be changed in accordance with ⇒ [page 29](#) so their direction of rotation is reversed.



- ◆ Some tread patterns may create an impression of premature wear: if winter tyre sipes or channels in the tread are worn down, only compact profile blocks without patterns remain, thus giving the impression of a worn tyre. In this case, the remaining tread depth must be measured in each groove. If this is at or below the minimum tread depth, the tyre can continue to be used without restrictions. (In Germany, the minimum is 1.6 mm; it is recommended, and in Austria, required, that winter tyres that are worn down to 4 mm be used only in summer)

5.10 Outer shoulder wear

Unsuitable use of self-levelling adjustments on pneumatic suspension system

The use of the offroad level is recommended only for driving off-road. Permanent use of the offroad level during normal road operation can lead to increased tyre wear as the height of the wheel position is different to the road level.

The way to prevent one-sided tyre wear is to ensure the wheel alignment is correct on one hand and on the other hand to make sure the vehicle is used only for its intended purpose:

Regular servicing of the vehicle and tyres helps to prevent tyre wear. The following should be noted in particular with regards to this:

- ◆ The prescribed minimum tyre inflation pressures must be adhered to.
- ◆ Different wear on the front and rear axle depending on the driving style is unavoidable. This condition can be compensated for by rotating the wheels from front to rear. The ideal opportunity to do this, for example, is during the seasonal change between winter and summer tyres. This change also has a positive side effect in that the tyres can wear down equally, meaning that a completely new set of tyres can be fitted. This prevents differences between the tread depths of the tyres on each axle, which can have negative effects on road holding.
- ◆ Saw tooth formation is a normal wear pattern, particularly if the driving style is very careful ⇒ [page 29](#). This can lead to increased rolling noise, which generally becomes better as the tread depth decreases. In the event of light saw tooth formation or if saw tooth formation is just starting, exchanging the wheels between axles is normally sufficient. If saw tooth formation is very pronounced, the wheels have to be changed in accordance with ⇒ [page 29](#) so their direction of rotation is reversed.
- ◆ Some tread patterns may create an impression of premature wear: if winter tyre sipes or channels in the tread are worn down, only compact profile blocks without patterns remain, thus giving the impression of a worn tyre. In this case, the remaining tread depth must be measured in each groove. If this is at or below the minimum tread depth, the tyre can continue to be used without restrictions. (In Germany, the minimum is 1.6 mm; it is recommended, and in Austria, required, that winter tyres that are worn down to 4 mm be used only in summer)

5.11 Wear in middle of tyre

This wear pattern is found on the driven wheels of high-performance vehicles that are frequently driven long distances at high speeds.

At high speeds, centrifugal forces cause the tyre diameter to increase more in the middle of the tread than it does at the shoulder. This causes drive forces to be transferred to the road surface from



the centre section of the tread. This is reflected in the wear pattern.

Effects of this kind can be especially pronounced on wide tyres.

It is not possible to counter this wear pattern by reducing the tyre pressure.



WARNING

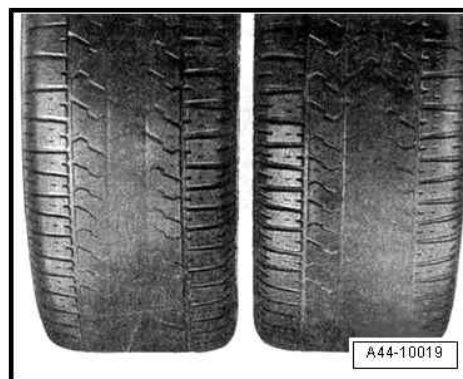
For safety reasons, the tyre pressure must not under any circumstances be reduced below the specified tyre pressure.

A more or less even tread wear pattern can be achieved by interchanging the tyres on the driven wheels and non-driven wheels in good time.

Increased tread wear

The typical tread wear pattern of tyres run on the driven wheels of a high-performance vehicle.

The increased wear in the centre section of the tread results from the extra loading associated with centrifugal forces within the tyre and the transmission of drive forces.





5.12 Diagonal washout

Diagonal washout on a tyre

Diagonal washout runs at an angle of approx. 45° to the direction of rotation.

It usually occurs at one point only, but can also occur at several points around the circumference of the tyre.

Washout occurs almost exclusively on the tyres on the non-driven wheels, in particular at the rear left. Washout occurs very often on some models, while it poses no problem at all on other models. The effect is intensified by high toe-in values. Toe-in values in the region of the lower tolerance limits of the specified alignment values improve the wear pattern.

The most pronounced diagonal washout is often found in the area where the tyre components are joined.

Wheels with positive toe-in roll with a slip angle even straight ahead. This leads to a diagonal stress in the contact patch or footprint on the tyre/road surface.

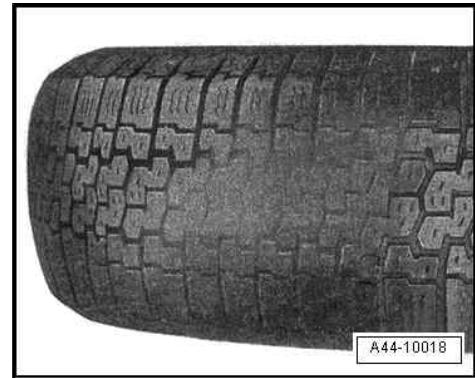
This wear pattern is intensified when tyre pressure is too low. To avoid such tread wear patterns, the toe-in values of the two rear wheels should be identical and the specified tyre pressures observed.

If you detect washout, you should fit the wheels on the driven axle, assuming the washout is identified at an early stage. Deeper washout cannot be repaired.

Faulty adjustment

If a customer complains of „diagonal wear spots“, the toe adjustment must be examined. If toe-in is correct, the cause of the diagonal washout is very probably the tyre itself.

Tyres with diagonal washout caused by incorrectly set axle geometry at the wheels are not covered by warranty.





6 Tyre noise

6.1 General notes on tyre noise

Tyre noise that can be heard by the human ear is caused by vibrations which are transmitted by the air from the source of the sound to our ears.

Of interest here are the noises caused by certain characteristics and effects while the tyres are rolling (source of the sound).

The cause of the noise is largely dependent on the combination of the road surface and tyres.

The structure and material of the road surface will greatly affect tyre noise. For example, the noise level on a wet road is much higher than on a dry road.

The pattern of the tyre tread also has a significant influence on tyre noise. Tyres with transverse grooves at an angle of 90° generate more noise than tyres with grooves running diagonally.

Small tread blocks are unstable. Their highly pronounced deformation agitates the air as the tyres roll. This creates the air vibrations that cause tyre noise.

Wider tyres are louder. They need more tread channels to displace water. When they are rolling, these tread channels displace the air, also creating air vibrations.

Further effects that also influence tyre noise:

- ◆ „Tyre vibration“ is the principal cause of tyre noise. It is caused by the columns of air in the tread channels being agitated.
- ◆ „Air pumping“ is the compression and expansion of the air caused by the deformation of the tread blocks as the tyre contact patch moves along the road surface.

Useful information regarding tyre noise

Tyre noise is determined primarily by the tyres and the road surface.

The roughness, structure and material of the road surface influence tyre noise.

The widths of the tyre and the rim, among other things, influence tyre noise. Due to their larger contact area, wider tyres will cause more tyre noise than narrow tyres, as more air has to be displaced and more „mass“ is agitated to create vibrations.

A wider wheel rim will also cause a tyre to have a wider contact patch. The effect on tyre noise is thus very similar to that of a wider tyre. Moreover, the damping characteristics of the tyre may also be adversely affected by the wider wheel rim.

On vehicles with a front-mounted engine, tyre noise is more perceptible at the rear of the vehicle, as wind and engine noises are not as loud there.

6.2 Saw-tooth wear

Saw-tooth wear is a stepped wear pattern on the individual tread blocks ⇒ [page 30](#) that can cause increased tyre noise. The saw tooth is caused by uneven deformation of the tread blocks in the tyre's contact patch. Saw-tooth wear is more pronounced on non-driven wheels than on driven wheels.



New tyres are more susceptible to saw-tooth wear because of the greater elasticity of the high tread blocks. As the tread depth decreases, the tread blocks become more rigid and the tendency to wear in a saw-tooth pattern decreases.

Appearance of saw tooth

A - Tread block of a new tyre; seen in direction of motion -arrow 1-, tread blocks are equally high in front and back.

B - Development of saw teeth; seen in the direction of rotation -arrow 1-, tread blocks are higher in front -arrow 2- than in back.

C - Seen in the direction of rotation -arrow 1-, tread blocks show greater wear in the front section of the „saw tooth“ -arrow 3-.

Pronounced saw-tooth wear can lead to customers complaining about tyre noise.

Pronounced saw-tooth wear occurs under the following conditions:

- ◆ toe values are too high
- ◆ tyre pressures are incorrect
- ◆ tread is coarse and open
- ◆ tyres are fitted on the non-driven axle
- ◆ very fast cornering.

non-directional tyres

In the event of saw-tooth wear, the direction of rotation of the tyre must be reversed. If saw-tooth wear is especially pronounced and tyre noise has increased, interchange the tyres diagonally. This will reduce the saw-tooth effect.

On front-wheel-drive vehicles, this effect is intensified by the greater wear on the front axle.

Tyre noise will be somewhat louder immediately after the tyres have been interchanged but will return to a normal level after about 500...1,000 km have been driven.

Directional tyres

In the event of increased saw-tooth wear on the rear tyres – in particular on front-wheel drive vehicles – interchange the front and rear tyres. In the event of increased saw-tooth wear on the outer edges of the tyres on one axle, turn both tyres around on their rims. The left-hand wheel must then be fitted on the right side of the vehicle and the right-hand wheel on the left side.

6.3 Flat spots (from locking wheels)

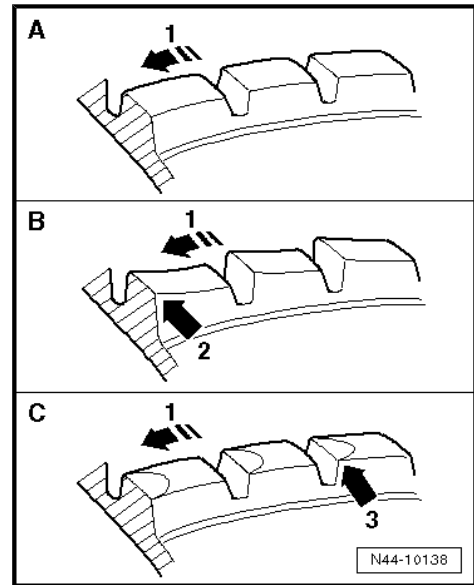
Flat spots can result from an extreme brake application which causes the wheels to lock, so that the rubber is worn off at the contact patch between the tread and the road surface.

As the tyres slide over the road surface, friction generates heat, which also reduces the wear resistance of the tread material.

Not even a highly wear-resistant tread compound can prevent the flat spots caused by violent braking.

Even ABS-controlled brake systems cannot prevent brief locking of the wheels, and thus, minor flat spots.

The degree of such wear depends largely on the vehicle speed, the road surface and the load placed on the wheel. The following examples should make this clear.





If a vehicle is braked to a standstill on a dry surface with the wheels locked, the amount of rubber worn from the tyre will cover an area the size of a postcard and will have a thickness of:

- ◆ up to 2.0 mm from a speed of 57 km/h (23.8 m braking distance)
- ◆ up to 3.3 mm from a speed of 75 km/h (41.8 m braking distance)
- ◆ up to 4.8 mm from a speed of 92 km/h (71.6 m braking distance)

Flat spots in tread

Tyres with such damage must no longer be used and must be renewed.





7 Vehicle pulls to one side

7.1 General

Perform a road test to determine whether a vehicle is pulling to one side and if so, which side. If the vehicle pulls to one side ⇒ [page 33](#).

When wheel alignment is checked, include the wheel alignment test results in tyre complaint report.

Manufacturer's tolerances can lead to a slight amount of taper (asymmetry) in the tyre carcass. The rolling tyre then develops a lateral force which acts directly on the wheel suspension, leading to self-steering of the vehicle. Strategic rotation of the wheels can balance out this self-steering behaviour.

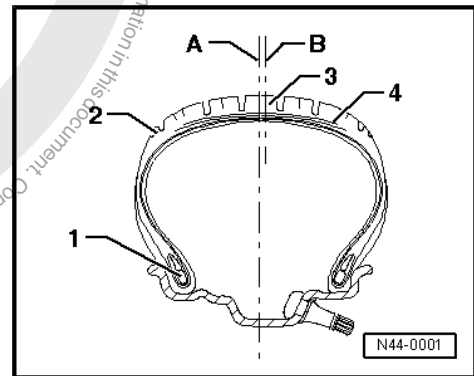
7.2 Conicity

Conicity is caused by a slight offset of the tread and/or the belt (amounting to a few tenths of a millimetre) relative to the geometric centre of the tyre. Taper is not visible and cannot be measured with equipment available in the workshop.

Parts of a tyre

- 1 - Bead
- 2 - Shoulder
- 3 - Tread
- 4 - Steel cord belt
- A - Geometrical centre of tyre

B - Actual centre of belt. It can be offset to inside or outside.





Exaggerated for clarity.

1 - Offset of belt and tread

F1 - Unequal vertical wheel forces

F2 - Unequal vertical wheel forces

Fk - Conicity force

The offset produces differences in stiffness at the inner and outer shoulders of the tyre, resulting in differing vertical wheel forces. Consequently the belt or tread will not be pressed onto the road surface with the same force (F1, F2). A conical, or tapered, shape develops. The resulting force (conicity force Fk) can, depending on the speed, become so great that the vehicle then pulls to one side.

If the force Fk on one wheel of the axle is, for example, 50 Newton and also 50 Newton on the other wheel, and both forces are exerted in the same direction, the forces are cumulated. Reversing a tyre on the rim can compensate for the lateral pull because the forces then act in opposite directions.

Because the direction in which the force of taper is exerted is not visible, only road tests and strategic rotation of wheels and tyres can establish which tyres cause the pulling.

The tyre consists of numerous components and materials which are vulcanised to form a single part at the end of a complicated manufacturing process. The result is differing production tolerances which make themselves noticeable through more or less strong lateral forces (conicity forces). These forces can also occur in new tyres.

Pulling to one side on front axle

Pulling to one side can be caused by the running gear. However, experience shows that in 90% of all complaints, the tyres cause pulling to one side.

Pulling to one side during normal driving

On a straight, level road surface, the vehicle wants to pull to one side at a constant speed or with moderate acceleration. Force can be felt at the steering wheel.

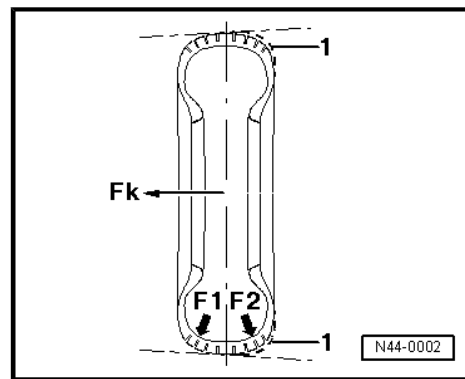
Pulling to one side during fast acceleration

Pulling to one side during fast acceleration is, in part, due to the basic design of vehicles with front wheel drive. Different friction levels at the left and right wheels or possible irregularities in the road surface (potholes) and consequently varying road adhesion have a substantial influence on the handling characteristics. This does not constitute a complaint which is covered by the warranty.

7.3 Remedies when vehicle pulls to one side

Test conditions before and during the road test:

- Check all suspension components on the front and rear axles for damage.
- Check tyre pressure and correct if necessary.
- Check the tyres for external damage. Punctures, cuts, bubbles on the sidewalls, flat spots from braking and/or damage to the tread.
- Ask the customer if the tyre had been damaged by a nail or similar object and was repaired by a tyre dealer. It may be necessary to renew such tyres.





- Check tyres for even wear and tread depth.
- Are all tyres of the same type, manufacture and tread pattern?
- If the tyres are non-directional, ensure that all DOT classifications on the tyre face outwards. The wheels and/or tyres on the vehicle may have already been changed around at an earlier date.
- Is the make of tyre approved by the factory as original equipment?
- Perform the road test on a road which is level, straight and ungrooved and does not drop off to one side.
- Perform the road test with the customer under the conditions specified above. Ask the customer to demonstrate the problem.



Note

There must be no cross wind during the road test.

If the complaint is justified, we recommend rotating the wheels and tyres as described below.

Before you begin, observe the following notes; otherwise your efforts may not have the desired effect.



Note

- ◆ *Mark the tyres before the first rotation, e.g. FR, FL, RR, RL.*
- ◆ *After rotating wheels or reversing the tyre on its rim, you must observe very carefully how the vehicle behaves during the road test. Note how and what was changed.*
- ◆ *Assess the intensity of or a possible change in the tendency to pull to one side.*
- ◆ *For this purpose, it is important that the road tests are always performed by the same person on the same road. It is best to drive the „test course“ in both directions.*
- ◆ *Replacing a tyre with a new tyre does not guarantee that pulling to one side will be eliminated. Therefore it is recommended as a first step to carry out the strategic rotation of the wheels as described below.*
- ◆ *If there are large differences in the tread depth of the tyres on the front and rear axles, the tyres with the deeper tread should always be mounted on the front axle.*

7.4 Strategic rotation of wheels for non-directional tyres

↓	
Perform a road test to determine if the vehicle pulls to one side and if so, which side.	
↓	
If the vehicle pulls to one side, interchange the front wheels.	
↓	
Carry out road test	
Vehicle travels in a straight line - END	
Vehicle pulls to other side	Vehicle pulls to the same side
↓	↓



Reverse one front tyre on its rim (direction of rotation is reversed).		Interchange front and rear tyres.	
↓		↓	
Carry out road test		Carry out road test	
Vehicle travels in a straight line - END		Vehicle travels in a straight line - END	
Vehicle does not travel in a straight line.		Vehicle does not travel in a straight line.	
↓		↓	
Interchange the front and rear wheels.		Vehicle pulls to other side	No change
↓		↓	↓
Carry out road test		Reverse one front tyre on its rim (direction of rotation is reversed)	Check alignment of front and rear wheels and adjust if necessary. If the alignment is correct, contact Product Support.
Vehicle travels in a straight line - END			
Vehicle does not travel in a straight line.			
↓			
Interchange front wheels.			
↓			
Carry out road test		Carry out road test	
Vehicle travels in a straight line - END	Vehicle does not travel in a straight line.	Vehicle travels in a straight line - END	
	↓	Vehicle does not travel in a straight line.	
Mount new tyres on front axle		Mount new tyres on front axle	
↓		↓	
Carry out road test		Carry out road test	
Vehicle travels in a straight line - END		Vehicle travels in a straight line - END	
↓		↓	
Vehicle does not travel in a straight line; contact Product Support.			

7.5 Strategic rotation of wheels having unidirectional tyres

↓
Perform a road test to determine if the vehicle pulls to one side and if so, which side.
↓
If the vehicle pulls to one side, interchange front and back wheels with tyres.
↓
Carry out road test
Vehicle travels in a straight line - END
Vehicle does not travel in a straight line.
↓
First renew one tyre on the front axle.
↓
Carry out road test
Vehicle travels in a straight line - END
Vehicle does not travel in a straight line.



↓
Renew other tyre on the front axle.
↓
Carry out road test
Vehicle travels in a straight line - END
Vehicle does not travel in a straight line.
↓
Check front and rear wheel alignment.
↓
Carry out road test
Vehicle travels in a straight line - END
Vehicle does not travel in a straight line; contact Product Support.



8 Tyre damage

8.1 General information

As tyre damage can have serious consequences, you and the driver should regularly check the tyres to identify any problems at an early stage.

Damaged tyres cannot withstand driving conditions such as high speed, long distances, sporty driving, and so on.

Damage can be caused in a number of ways:

- ◆ Driving with insufficient tyre pressure
- ◆ Assembly error when tyres were fitted on rims
- ◆ Damage by embedding objects
- ◆ Ageing
- ◆ Improper storage



WARNING

Whenever a safety risk cannot be ruled out, the tyre must be renewed.

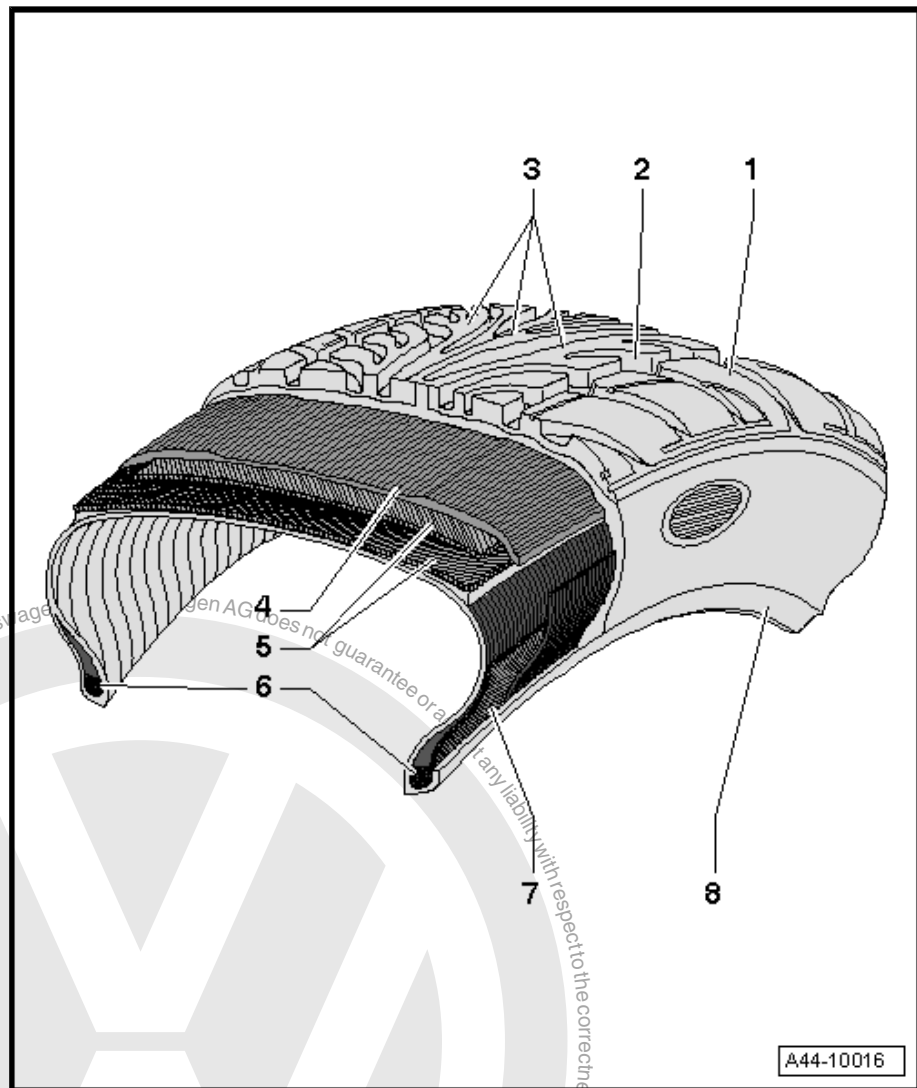




8.2 Construction of a radial belted tyre

Cross section of a radial belted tyre

- 1 - Tread block
- 2 - Tread groove
- 3 - Tread
- 4 - Nylon ply
- 5 - Belt layers
 - Usually made of steel
- 6 - Bead core
 - Consists of steel wires vulcanised into rubber.
 - Ensures secure seating of the tyre on the rim.
- 7 - Bead filler
- 8 - Rim flange protection
 - Protects the rim and tyre from abrasion from, for example, contact with the kerb
 - Tyres with Maximum Flange Shield (or rim protector bar) are marked with the abbreviation MFS.



The nylon ply -4-, belt layers -5-, bead cores -6- and bead filler -7- form the carcass. The carcass is the „load-bearing structure“ of the tyre.

8.3 Impact damage

A swelling in the sidewall of the tyre indicates that the substructure of the carcass has been damaged.

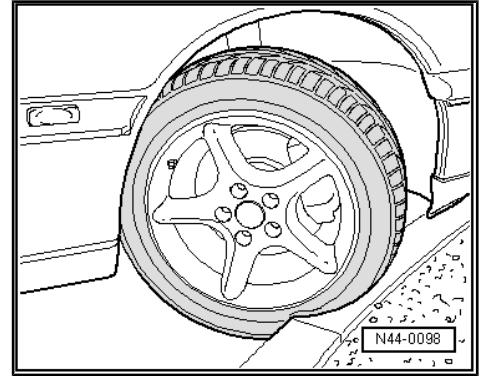


Typical causes for such damage include, for example, driving over kerbs at a sharp angle.

Pinching the tyre in this way can damage the carcass.

The substructure of the tyre is stretched so far that individual fibres in the carcass may be broken.

The extent of the damage depends on the speed of impact, the angle of impact, the tyre pressure, the axle load and the type of obstacle.



Pinch marks on tyre sidewall -arrows-



Note

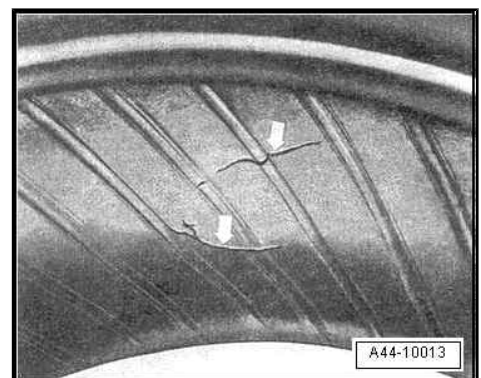
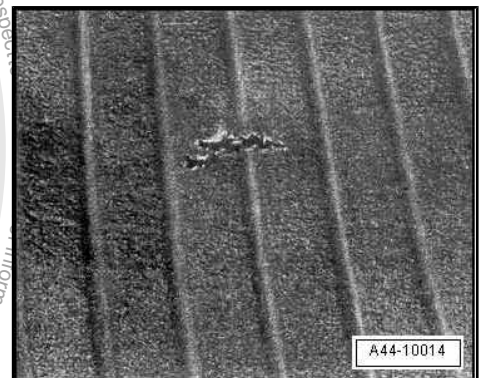
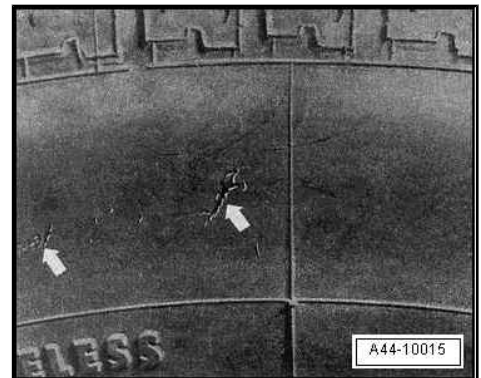
- ◆ *Driving over kerbs should be avoided.*
- ◆ *If you cannot avoid driving over a kerb, you should do so very slowly and as square-on as possible.*

Interior view of a tyre with a punctured carcass

Due to a severe impact, the carcass was pinched on the wheel rim flange and is ruptured in the contact area.

Damage inside tyre due to impact injury (double rupture)

Double rupture -arrows- caused by pinching when a kerb was driven over. Often not detectable from outside.





8.4 Cuts

Cut caused by a sharp-edged obstacle -arrow-



8.5 Damage caused by foreign bodies

Driving over hard, pointed objects like nails, screws and the like can pierce the tyre.

This always leads to tyre damage.

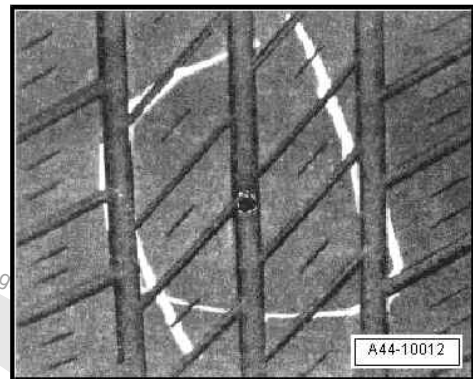
Damage due to embedded foreign body

Often, the object -marking- is so securely embedded in the tyre that it will not free itself even at higher speeds. Consequently, it can act as a plug and seal the tyre relatively well. This results in a gradual loss of pressure, which the driver will not notice immediately, but which can lead to sudden and complete tyre failure.



Note

No repair should be attempted on a steel-belted tyre of which the structure has been punctured by a foreign body.



8.6 Loss of air from tyre

If the customer complains of a loss of air from a tyre, it is essential that you check for embedded foreign bodies.



Note

No repair should be attempted on a steel belted tyre of which the structure has been punctured by a foreign body.

Corrosion can develop on the steel wires. This will always lead to the separation of the rubber from the steel belt.

Generally, one cannot determine when the foreign body was embedded. The tyre structure may already have been damaged as a result of driving with insufficient tyre pressure.

Damaged belt wires will sooner or later lead to separation of the rubber from the steel belt. As a result, the tyre can fail completely at some point long after the tyre was first damaged.

Tyre damage caused by foreign bodies is not covered by the warranty.

8.7 Tyre pressure

The tyre pressure must be checked regularly. We recommend checking the tyre pressure every two weeks. The correct tyre pressure is especially important on long trips or when carrying a



heavy load. A sporty driving style also requires correct or even slightly increased tyre pressure.

Slow loss of tyre pressure

The slow loss of tyre pressure is especially problematic because even experienced drivers often do not notice it.

Insufficient tyre pressure and the related increase in flexing (internal friction) cause the tyre material to heat up considerably and may lead to the separation of the various components and rubber compounds.

In the end, the tyre is usually destroyed completely
⇒ [page 41](#) .

The cause for the slow pressure loss cannot always be determined because the tyre is severely damaged and structural components of the tyre are missing.

8.8 Tyre damage due to insufficient tyre pressure

The most common causes for tyre failure are minor external damage, a defective valve or a leaking rim due to corrosion or damage.

Separation of carcass and rubber

Excessive heating due to driving with substantially insufficient tyre pressure ⇒ [page 42](#) led to overheating and subsequent separation of the carcass from the rubber material -arrows-.

The tyre shown here was periodically driven with an inflation pressure which was insufficient for the load. Typical evidence for this is the circumferential scuffing along the bead caused by the wheel flange and also the discolouration. Small, furrowed creases are visible along the inside of the sidewall.

When the tyre rolls, strong shear forces develop between the layers of steel cord, especially at the ends of the belts.



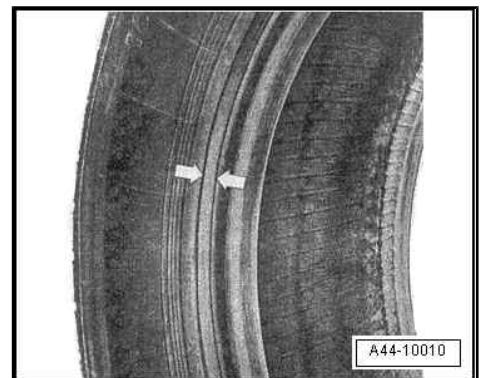
Tyres with wide, circumferential furrows near the bead

Wide, circumferential furrows near the bead -arrows- indicate that the tyre was driven with insufficient pressure.

Driving a vehicle with insufficient tyre pressure or ignoring or not recognising tyre damage can have serious consequences.

The tyre can no longer withstand the forces which develop when the vehicle is driven.

The defects mentioned above severely restrict the function of the tyre. The rubber compounds separate, which results in the partial separation of tyre components or even its complete destruction.





Tyres with stripped profile

Such damage usually develops over a longer period of time. If an already damaged tyre is exposed to high stress, the centrifugal forces which occur at high speeds can tear components off the tyre.

The figure shows a tyre with stripped tread due to travel with insufficient tyre pressure.



8.9 Rising tyre temperature caused by insufficient inflation pressure

The graph shows the temperature development of a tyre at a speed of 180 km/h.

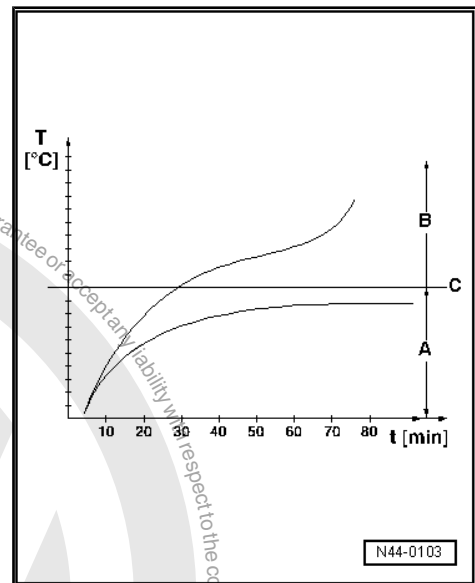
A - When specified tyre pressure is maintained, the temperature will remain stable.

B - Danger zone: When tyre pressure is 0.3 bar below specification, the temperature rises to above 120° C at higher speeds.

C - Critical temperature threshold: A tyre defect will develop.

T - Temperature in °C

t - Travel time in minutes





8.10 Tyre damage due to fitting error (fitting damage)

Bead core broken during tyre inflation.

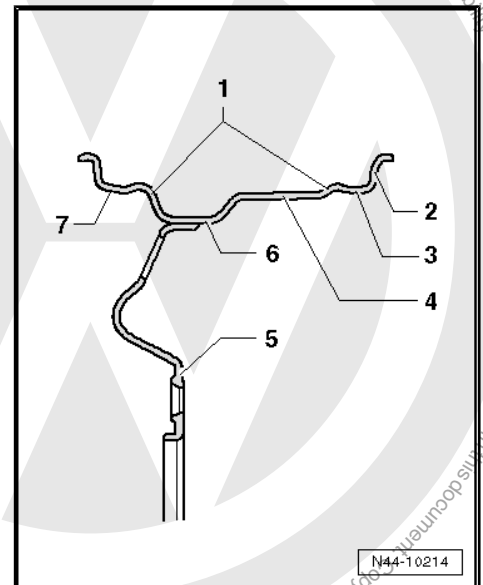
Modern radial tyres for passenger cars are mounted only on safety rims. Safety rims have a hump -1- running along the bead seat.

- 1 - Hump (double hump H 2), extended double hump (EH2)
- 2 - Wheel rim flange
- 3 - Inner rim shoulder (e.g. tapered rim shoulder)
- 4 - Rim
- 5 - Wheel
- 6 - Well
- 7 - Outer rim shoulder (e.g. tapered rim shoulder)

The hump prevents the tyre from being pressed out of the rim shoulder during travel with insufficient tyre pressure.

When the tyre is inflated, the bead of the tyre may not slip completely over the outer rim hump.

In this case, there is a danger of the bead core becoming overstretched if the tyre pressure is too high. The steel wires would then rupture partially or completely. A broken bead core cannot be detected from the outside.



Special requirements for tyres with run-flat properties

Wheel rims with a raised double hump (Extended Hump EH2) are prescribed for tyres with run-flat properties (reinforced side walls) => [page 49](#) . The raised double hump prevents the deflated tyre from slipping off its seat on the wheel rim when the tyre is run deflated.

Note

To avoid damage, always observe the notes/instructions when fitting/removing tyres with run-flat properties => Running gear, axles, steering; Rep. gr. 44 ; Fitting and removing tyres with run-flat properties .



WARNING

- ◆ *Tyres with damaged bead cores are not seated safely and securely on the rim. Such tyres are a safety risk!*
- ◆ *In addition, there is a risk of the partly broken bead core breaking apart during continued operation and the tyre could suddenly tear open. If the bead core breaks during inflation, the carcass will also be destroyed.*



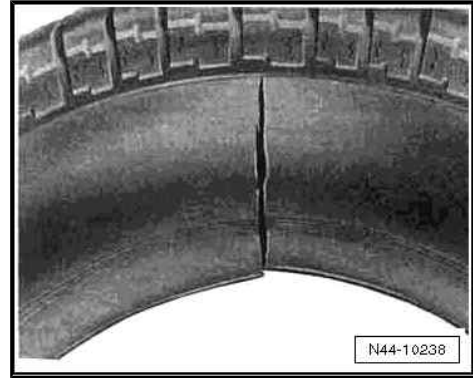
Tyre with broken bead core and destroyed carcass

The figure shows a tyre with a broken bead core and destroyed carcass as a result of excess pulling force during fitting.

Bead damage due to faulty or incorrect tyre fitting with tyre-fitting machine

The following errors, which may occur when tyres are fitted, can lead to severe tyre damage:

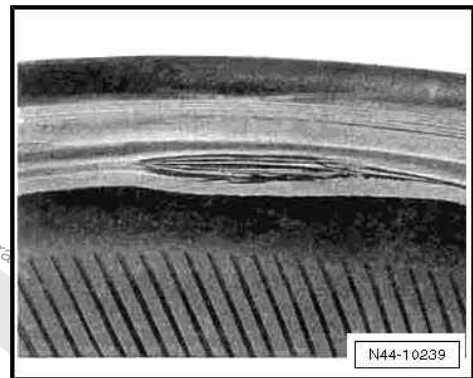
- ◆ If the opposite tyre bead is not seated completely in the rim well when the upper bead is rolled in on the tyre fitting machine. => [page 43](#) .
- ◆ If the fitting head is improperly adjusted.
- ◆ If the edge of the fitting roller rolls onto the bead.
- ◆ If the guide rollers are worn or have sharp edges.



If the tyre bead is split.

In these cases, the bead, which is under great tension, can be cut into in the direction of rotation, split and/or be pinched off down to the core wire.

It is often possible to identify the tracks of the guide roller as it was applied or ran off where the damage occurred.



Note

Both tyre beads as well as the rim shoulders must always be coated with assembly paste .

If fitting damage remains undetected, there is a danger that the tyre will fail later during operation.

THEREFORE!

- ◆ Never fit a tyre without using assembly paste .
- ◆ Do not allow the bead seating pressure to exceed 3 bar.
- ◆ Do not allow the tyre inflation pressure to exceed 4 bar.
- ◆ When the tyre has been fitted, reduce the tyre pressure to the specified value.



9 Tyres with run-flat properties

9.1 General

Tyres with run-flat properties have reinforced side walls when comparing them with normal tyres. This reduces the slippage of the side walls and prevents the tyre flanks sticking when the tyres are run deflated. This ensures the vehicle remains controllable and the vehicle has almost normal driving characteristics. The alleviates the necessity to fit the spare wheel in dangerous conditions e.g hard shoulder of a motorway or in bad weather conditions.

A deflated tyre can be driven further to the next workshop (approx. 50 km (approx. 30 miles)) at a suitable speed (max. 80 km/h (max. 50 mph)) and in suitable driving style for the conditions, see → Owner's wallet .

After checking the respective wheel, the responsibility lies with the driver to decide if it is safe to drive further with the deflated tyre.

-I- Tyres with normal air pressure

1 - Tyres with run-flat properties (reinforced side walls -red-)

2 - Normal tyres

-II- Deflated tyre

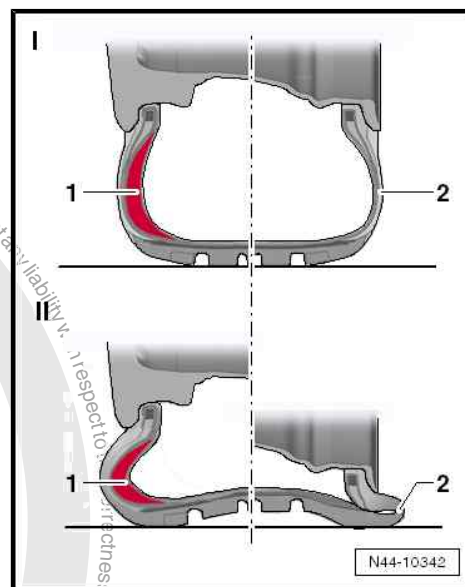
When a normal tyre -2- deflates, the side walls are pressed against the wheel rims. The side walls heat up extremely or stick and are therefore destroyed when the tyre is deflated.

Tyres with run-flat properties -1- are supported on the reinforced side walls (-red-). A special tyre mixture and the reduced walkability of the reinforced side walls reduces the heat created when the tyre is run and the vehicle remains controllable.



Note

Please note the special requirements when using tyres with run-flat properties ⇒ [page 46](#) .





9.2 Design and identification

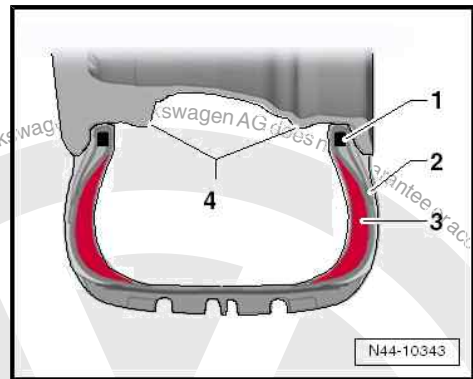
Identification

Distinguishing features: tyres with run-flat properties can be identified by one of the following abbreviations DSST, Euforia, RFT, ROF, RSC, SSR or ZP. The abbreviation is located on the flank of the tyre following the tyre designation of the respective tyre manufacturer.



Body

- 1 - Beading with beading core
- 2 - Side wall
- 3 - Reinforced side wall
- 4 - Wheel rim with extended hump (EH2) on both sides - prerequisite when using tyres with run-flat properties



9.3 Retrofitting/requirements when using run-flat tyres



Caution

Retrofitting run-flat tyres to VW models may only be undertaken if the tyres are fitted as standard or they are available as an option.

These tyres may only be used on vehicles with a tyre pressure monitoring system as a pressure loss in the tyres is not always visible. This system warns the driver when an inflation pressure is less than a certain inflation pressure.

Permitted are:

Direct measuring systems ⇒ Running gear, axles, steering; Rep. gr. 44 ; Tyre pressure monitor

Indirect measuring systems ⇒ Running gear, axles, steering; Rep. gr. 44 ; Tyre pressure monitor

Tyres with run-flat properties may only be fitted on disc-type wheels with raised double hump (Extended Hump - EH2)
⇒ [page 49](#) .



The special fitting/removal instructions must be observed ⇒ Running gear, axles, steering; Rep. gr. 44 ; Fitting and removing tyres with run-flat properties .

A mixed installation with standard tyres is not permitted, even on same axle.

Only in exceptional circumstances may a standard tyre be fitted e.g. for a short period or a limited distance. The special run-flat characteristics are lost, the driver must always be informed.

Please observe the recommended tyre manufacture
⇒ [page 462](#) and ⇒ [page 492](#) .

9.4 Repairs



WARNING

- ◆ *Tyres with run-flat properties must be replaced after they have been run deflated.*
- ◆ *The special fitting/removal instructions must be observed ⇒ Running gear, axles, steering; Rep. gr. 44 ; Fitting and removing tyres with run-flat properties .*

General information

- As with standard tyre/wheel systems, the disc-type wheel must also be checked before fitting.
- The disc-type wheel must be checked (for true running, runout and other damage) after a puncture/breakdown ⇒ Running gear, axles, steering; Rep. gr. 44 ; Fitting wheels as a pot-hole etc. could have damaged the rim.
- Damaged disc-type wheels must be renewed.



10 Rolling resistance optimised tyres

The energy loss caused by the deformation of the tyre when rolling is known as rolling resistance.

With rolling resistance optimised tyres the deformation is greatly reduced by a revised design and the use of optimised tread compositions.

Volkswagen BlueMotion and BlueMotion technology models are fitted with tyres with an optimised rolling resistance and all other safety and customer relevant properties are of the latest level of development.

The respective approved makes of tyres are listed in the following chapters ⇒ [page 462](#) .





11 Facts about disc-type wheels (passenger cars)

11.1 Design of disc-type wheel

1 - Wheel rim flange

- Stop for tyre side beading

2 - Hump (H2) on both shoulders of rim

- Prevents the tyre slipping off the shoulder of the rim while driving through tight bends
- Extended hump (EH2) - prerequisite when using tyres with run-flat properties => [page 49](#)

3 - Well

- Eases fitting/removal of tyre

A - Width of wheel rim

- Distance between tyre contact surfaces on both rim edges of wheel
- Dimensions in inches

B - Wheel rim diameter

- Distance between tyre contact surfaces on opposite tyre shoulders
- Dimensions in inches

C - Wheel offset

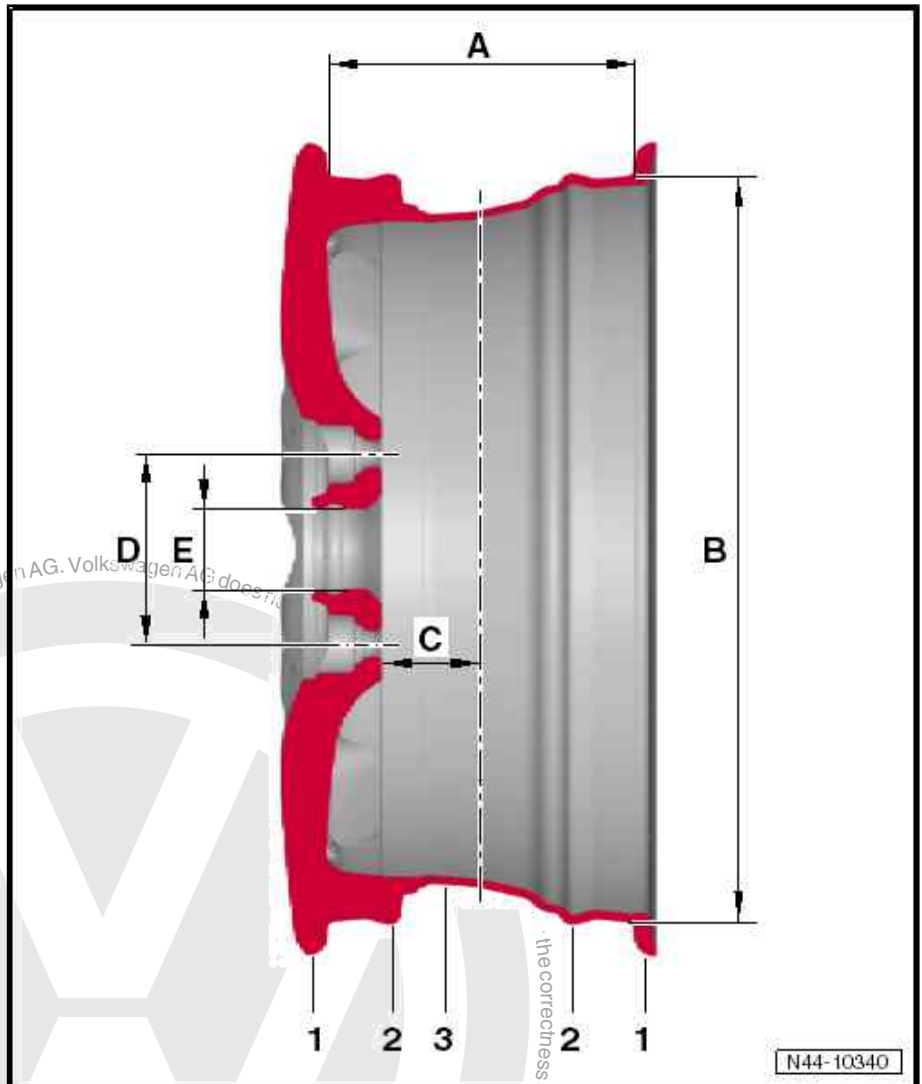
- Vertical distance between centre of wheel and wheel inner contact surface
- Dimensions in mm

D - Pitch circle diameter

- Diameter of circle for wheel bolt holes
- Dimensions in mm

E - Centre hole

- Used to centralize
- Dimensions in mm



11.2 Data on wheel rims

There are several items of information on the wheel rims. The following example shows the information needed for unambiguous identification of the wheel:

Part number:	6E0 601 027 A
--------------	---------------



Wheel size:	6 J x 15 6 - Rim width in inches J - Shape of wheel rim flange 15 - Rim diameter in inches
Wheel offset in mm:	43
Data on hump of rim shoulder:	EH2 Extended Hump ¹⁾

¹⁾ Raised round hump on both rim shoulders. These ensure that when run-flat tyres are used without air pressure, they will not slip from rim shoulder. Rims with EH2 are required only if tyres with run-flat properties are fitted! ⇒ [page 45](#)

11.3 Wheel rims - pitch circle diameter

Pitch circle diameter	Model		
100 mm	Polo 2010 >		
	Fox 2006 >		
112 mm	Phaeton 2003 >	Golf 2004 >	Golf Plus 2005 >
	Sharan 2011 >	Eos 2007 >	Cross Golf 2007 >
	Jetta 2011 >	Touran 2003 >	Golf 2009 >
	Tiguan 2008 >	Cross Touran 2008 >	Golf Variant 2010 >
	Scirocco 2009 >	Passat CC 2009 >	CC 2010 >
	Passat saloon 2011 >	Passat Variant 2011 >	Beetle 2012 >
130 mm	Touareg 2010 >		

11.4 Split rim composite wheels

Split rim alloy wheels consist of several parts.

The major parts are the rim and the wheel centre. These parts are bolted together with special bolts using a special process. This ensures that the wheel functions properly, that it is sealed and safe and that it runs true. These requirements are not guaranteed with workshop materials and under workshop conditions.



WARNING

You must not dismantle or repair composite wheels!

11.5 Alloy wheels with exchangeable trim elements

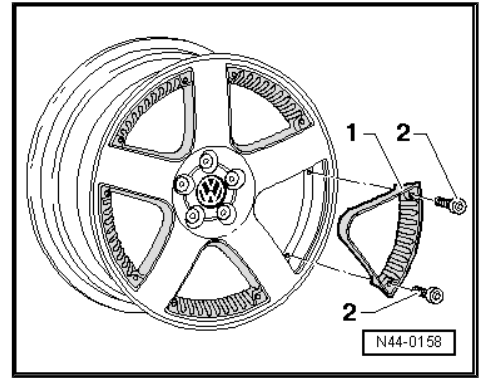
These wheels are fitted with exchangeable trim elements. Follow these instructions during installation.



- Clean the thread in the wheel before screwing in the new bolts.
- Always use new bolts!

- 1 - Trim element
- 2 - Hexagon socket head bolt

Torque setting for self-locking hexagon socket head bolts: 5 Nm

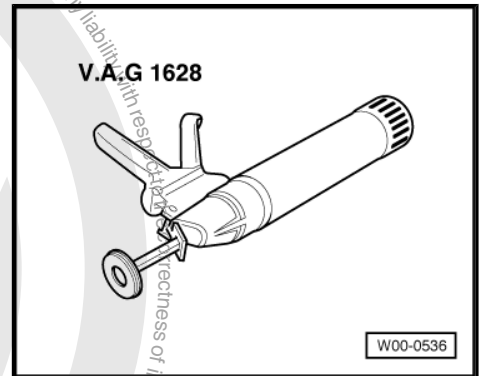


11.6 Alloy wheels with exchangeable trim elements (Zaragoza)

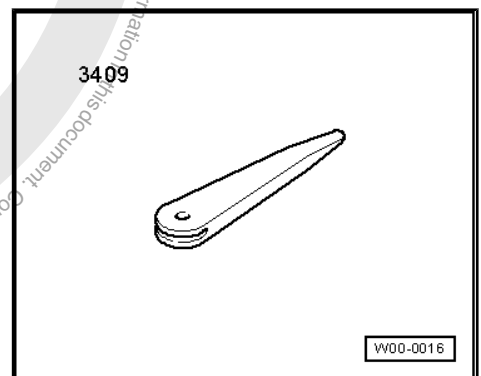
11.6.1 Tools

Special tools and workshop equipment required

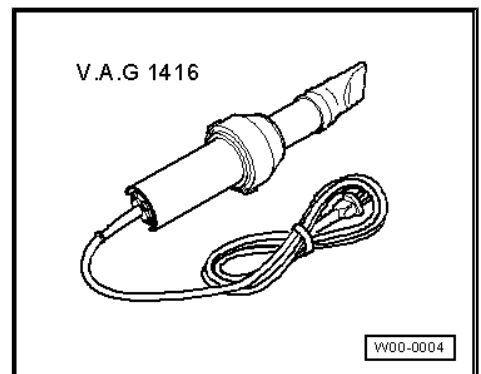
- ◆ Cartridge gun -V.A.G 1628-



- ◆ Removal wedge -3409-



- ◆ Hot air blower -V.A.G 1416-





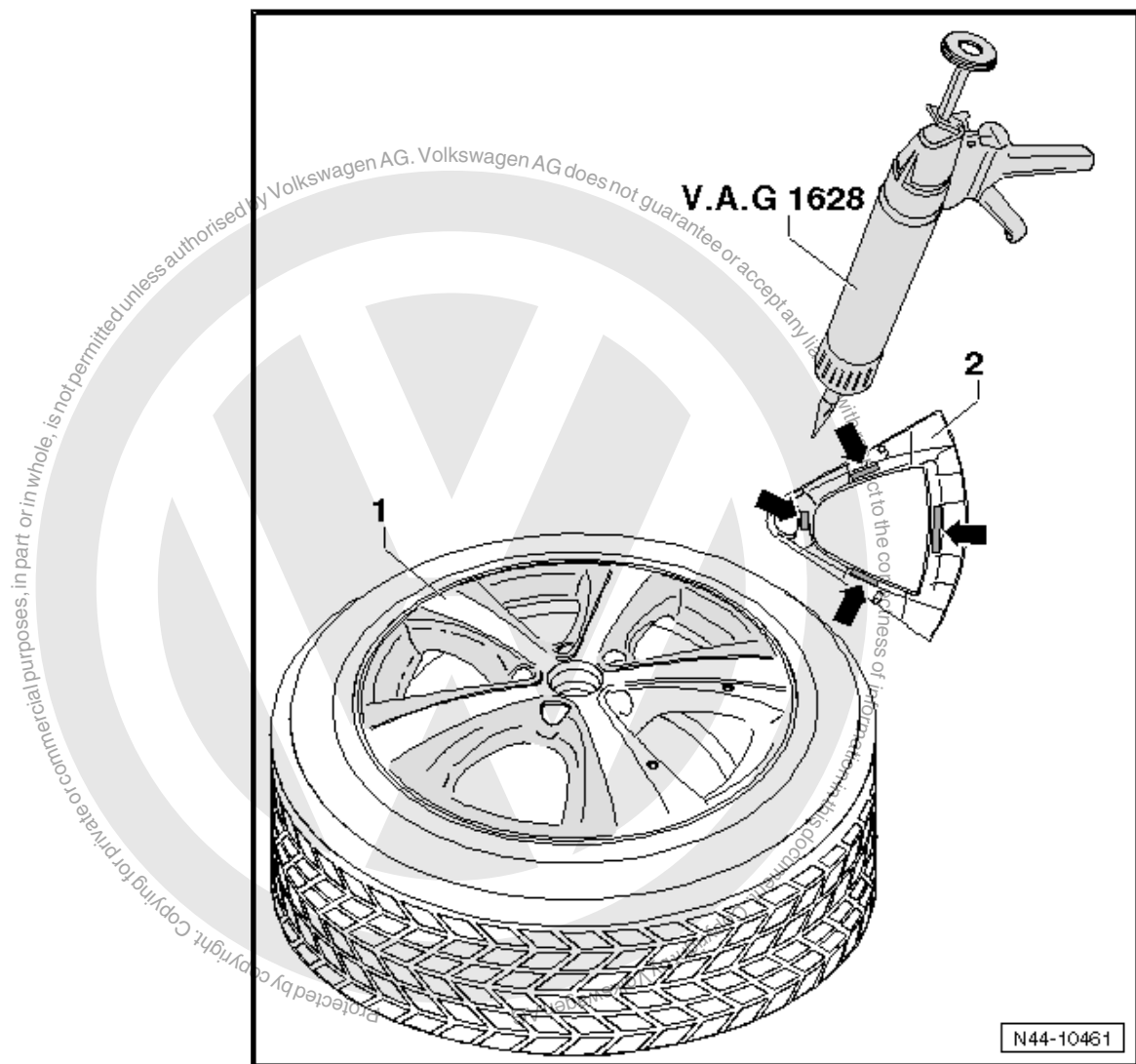
11.6.2 Materials

- ◆ 1K Window adhesive -DH 009 100 A2-
- ◆ Silicone remover -LSE 020 100 A3-

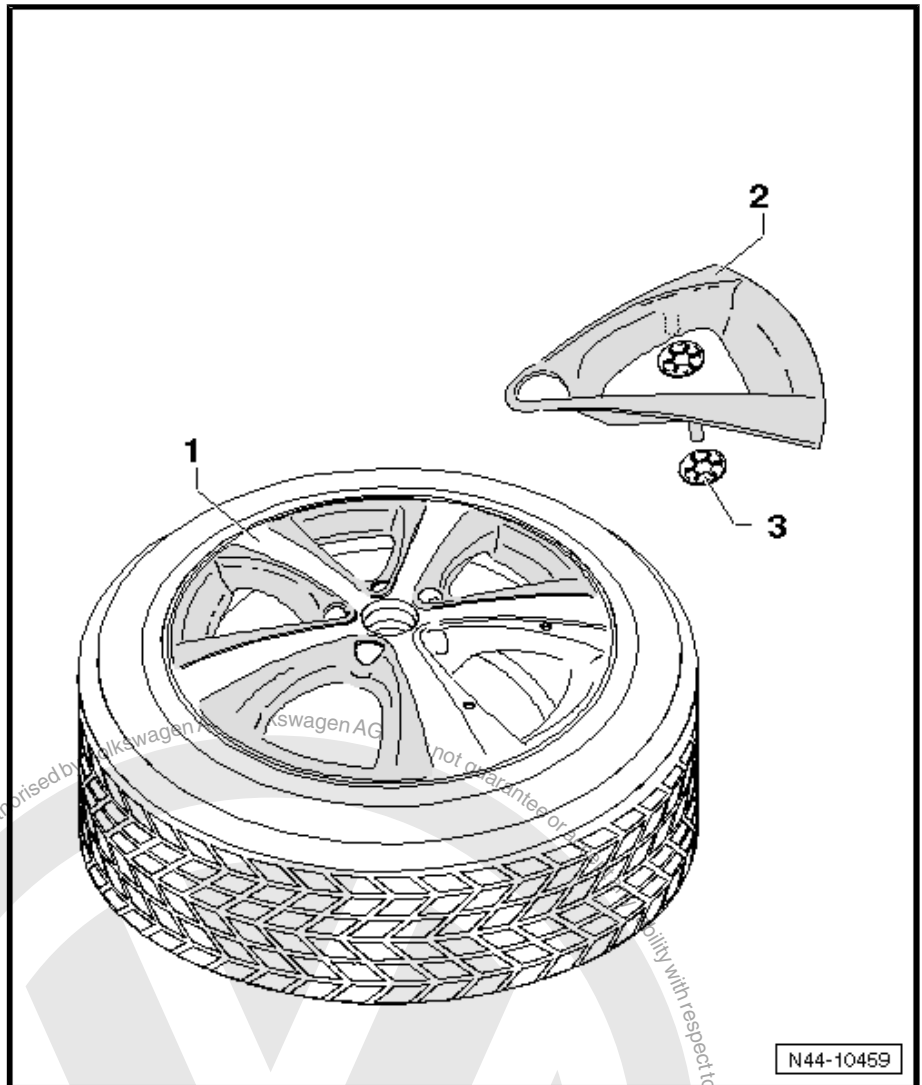
11.6.3 Installing trim element

These alloy wheels are fitted with exchangeable trim elements.
Follow these instructions during installation.

- ◆ Ensure bonding surfaces in alloy wheel and trim element are free of dust and grease.
- ◆ Clean bonding surfaces with silicone remover -LSE 020 100 A3- .



- Apply 1K window adhesive -DH 009 100 A2- to bonding surfaces -arrows- using cartridge gun -V.A.G 1628- .
- Adhesive bead: length = approx. 25 mm and diameter = approx. 10 mm.



- Push trim element -2- forcefully into alloy wheel -1-.
- Secure trim element -2- on inner side of alloy wheel -3- with clamping washers.

Minimum curing period: 3 hours at a minimum room temperature of 15 °C.



WARNING

Alloy wheel must be rebalanced ⇒ Running gear, axles, steering; Rep. gr. 44; Vehicle vibrations from wheels/tyres - Causes and remedial action .

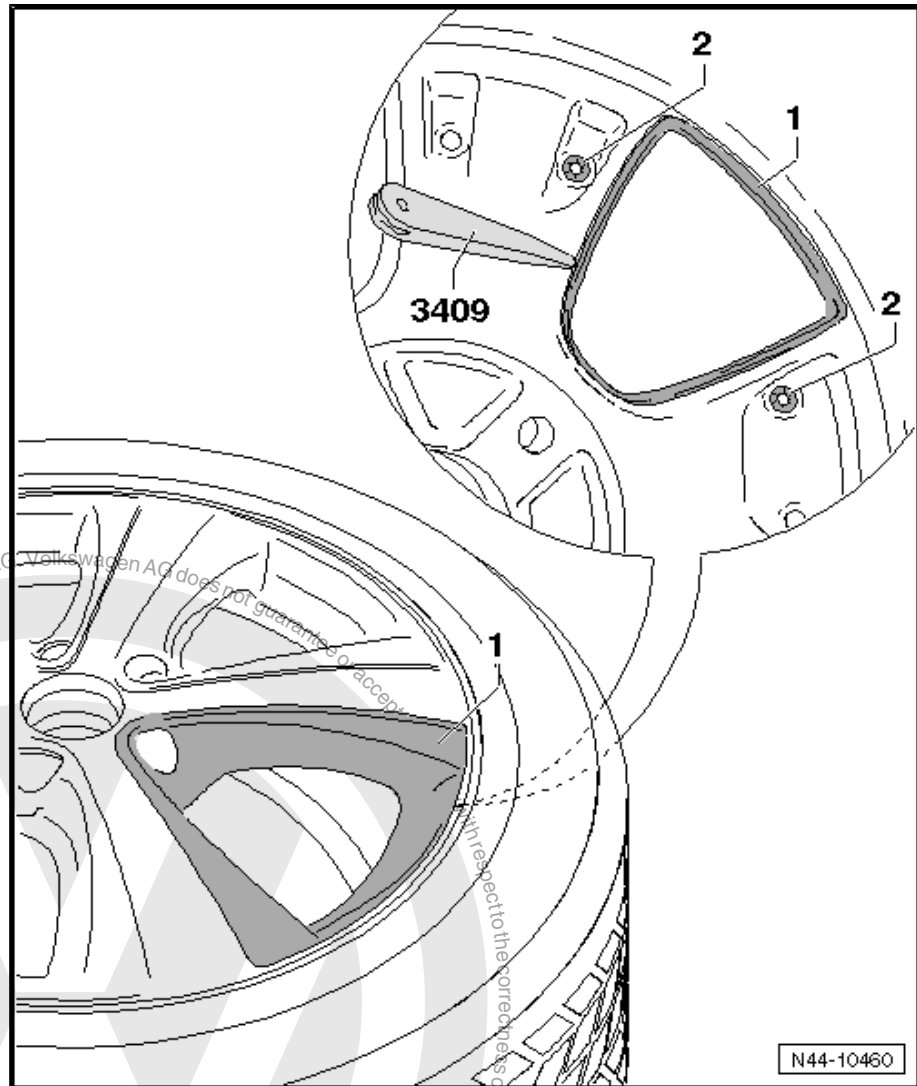


11.6.4 Removing trim element



Note

The trim element cannot be removed without causing damage to the element.



- Remove clamping washers -2- on inner side of alloy wheel.
- Heat outer side of trim element -1- with hot air blower -V.A.G 1416- .



Caution

Use only low heat on tyres and alloy wheels (do not overheat).

- Release trim element -1- on inner side of alloy wheel using wedge -3409- .
- Grasp under a corner on the outside and pull trim element -1- forcefully off alloy wheel.



 Note

- ◆ *Cut back adhesive PUR beads on alloy wheel.*
- ◆ *Residual material is used as a bonding base for the new trim element.*
- ◆ *The new trim element can be installed immediately ⇒ [page 52](#) .*

11.7 Care and maintenance of alloy wheel rims

Regular care is required to maintain the decorative appearance of alloy wheels over a long period of time.

In particular road salt and dust from brake abrasion must be thoroughly washed off every 2 weeks; otherwise the finish of the alloy wheel will suffer.

Cleaning agents

Suitable cleaning agents:

- ◆ Plain water or water with soft soap
- ◆ Water and essence of vinegar
- ◆ Alloy wheel cleansers without acids or strong solvents

Do not exceed the soaking time of the cleaning agent.

The shorter the recommended soaking time, the harsher and more aggressive the cleaning agent.

Damage to finish

If the finish is damaged, for example by stones, the damage must be repaired as quickly as possible ⇒ [page 55](#) .

Removing adhesive residue from glued balance weights on alloy rims

- ◆ Strong solvents and acids attack the finish on alloy wheels and the surface of the wheel becomes matt and milky. Therefore, these substances should not be used.
- ◆ To remove adhesive residue on alloy wheels, use alloy cleansers or a petrol-based cleanser. Do not exceed the soaking time of the cleaning agent.
- ◆ After cleaning or removing adhesive residue from wheels, rinse them with water.

11.8 Restoring alloy wheels



WARNING

- ◆ *Repairing a damaged wheel using heat treatment such as welding or the addition or removal of material is absolutely forbidden.*
- ◆ *Damaged or deformed wheel rims or wheel rims with cracked or deformed wheel bolt holes may not be repaired.*
- ◆ *Restoration may only be undertaken using approved and genuine paint materials.*
- ◆ *The manufacturer's guarantee no longer applies once a wheel rim has been restored.*



Wheel rims with cracks along the edges may not be repaired and must be replaced immediately.

Remachining, heat treatment and welding of all types is not permitted.

Material reforming is not permissible.

Before restoring, the radial runout and lateral runout must not exceed the manufacturer's tolerance of 0.8 mm.

Only cast alloy wheel rims may be filled using a filler putty. These wheels have the material identification AISi xx stamped in the inner side.

Forged wheels may not be painted.

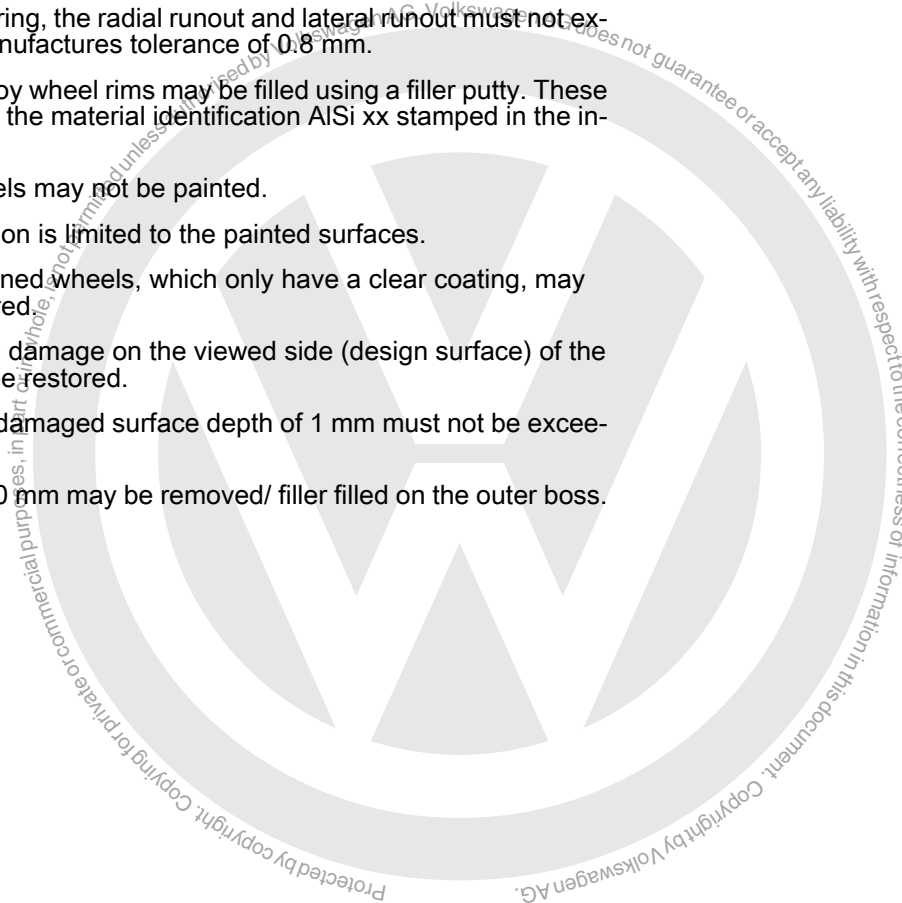
The restoration is limited to the painted surfaces.

Bright machined wheels, which only have a clear coating, may not be repaired.

Only surface damage on the viewed side (design surface) of the wheel may be restored.

Restoring a damaged surface depth of 1 mm must not be exceeded.

Only up to 50 mm may be removed/ filler filled on the outer boss.





11.9 The valve

- 1 - Valve body
- 2 - Valve core
- 3 - Valve cap

1. Valve body

The rubber valve for tubeless tyres is designed to create an air-tight seal in the hole in the rim. The elastic material of the rubber valve body presses tightly into the hole in the rim.

In the case of valves with a threaded metal base, a rubber seal is used to seal the rim. The lateral faces of the rim hole are sealing surfaces. They must therefore be free of rust and dirt and must not be damaged.

2. Valve core

The valve insert has the most important job in the valve. It creates a seal and enables the regulation of the air pressure. The small flat seal on the valve core can only function correctly if it is free of foreign particles, dirt and moisture. The compressed air system must be free of water and oil!

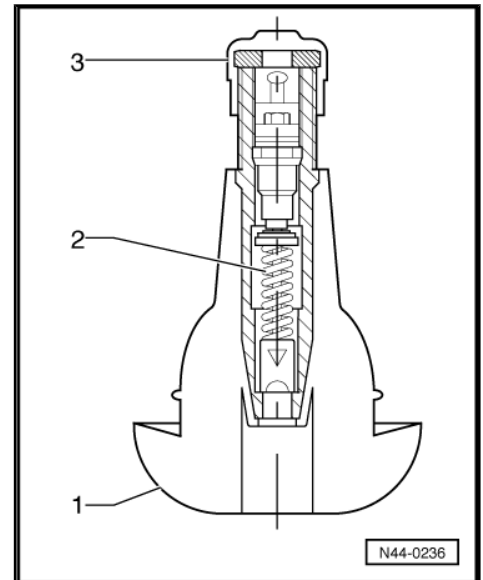
3. Valve cap

A valve cap must always be screwed onto the valve. It prevents dirt from getting into the valve. Dirt which may be in the valve would reach the seal of the valve plate when the tyre is inflated and cause a leak.

The valve must be renewed every time a new tyre is fitted.

If the vehicle is driven without caps on the valves, there is the danger that dirt may get into the valve. This leads to a gradual loss of air, which in turn can lead to the destruction of the tyre.

- ◆ Separation of carcass and rubber ⇒ [page 41](#)
- ◆ Wide, circumferential furrows near the bead ⇒ [page 41](#)
- ◆ Stripped tread or stripped protector ⇒ [page 42](#)



WARNING

The valve cap must be fitted tightly to ensure air-tight sealing.



12 Notes on use of temporary spare wheels

Inform your customers about the following notes and, if appropriate, refer also to the user's manual of the vehicle as the need arises.

The following notes also apply to spare wheels, e.g. 7 J x 16 with 205/55 R 16 tyres, marked with a yellow sticker with the text „MAX 80 km/h“ or „MAX 50 mph“



Note

- ◆ Depending on vehicle equipment, e.g. Passat cars with alloy wheels and 225 mm tyres have a spare wheel with the sticker described above instead of a temporary spare wheel.
- ◆ The spare wheel or temporary spare wheel is intended only for temporary use over short distances. Therefore, it must be replaced by a normal wheel as quickly as possible.
- ◆ After the temporary or spare wheel has been fitted, the tyre pressure must be checked as soon as possible. For the correct tyre pressure, please refer to the tyre pressure in the relevant vehicle or the relevant manual: Maintenance manual.
- ◆ Always observe the speed warning on the temporary spare wheel („MAX 80 km/h“ or „MAX 50 mph“).
- ◆ Full acceleration, hard braking and driving fast through curves should be avoided.
- ◆ Never drive with more than one spare wheel or temporary spare wheel.
- ◆ The use of snow chains on the temporary spare wheel is not permitted for technical reasons.
- ◆ If it is necessary to travel with snow chains, the temporary spare wheel must be fitted on the rear axle even if the front tyre has been damaged. The now available rear wheel must then be fitted in place of the defective front wheel.





13 Fox from model year 2006

General

Volkswagen vehicles are built according to the latest findings in safety engineering. To keep it that way, we recommend the use of only genuine Volkswagen spare parts. You can recognise this by the VW Audi logo and by the part number. It has been established that these parts are reliable, safe and suitable.

Despite constant appraisal of the market, we cannot assess other products on these points, even when in isolated cases they have been passed by official inspectors or have been granted official approval. Therefore, we cannot, of course, assume any liability if these products are installed.



WARNING

The products from Volkswagen genuine parts and Volkswagen accessories may differ in fitting requirements, torque specifications and so on.

Always follow the respective fitting and operating instructions.

The wheel and tyre combinations or changes listed in the vehicle tables refer exclusively to Volkswagen Genuine wheels. Approval of wheel and tyre combinations or a change to wheels from the accessories trade is not possible with the parts certificate attached here.



WARNING

The fitting instructions and torque specifications for wheels from Volkswagen accessories may differ from those intended for wheels from Volkswagen genuine parts.

Therefore, always observe the torque settings for the wheel bolts as well as the respective fitting and operating instructions.

13.1 Fox, type 5Z model year 2006 to model year 2012

Appendix to certificate statement 8107901084

The parts certificate can be found on the Volkswagen ServiceNet under Accessories/Tyres, Wheels and Tyres, Wheels and Tyres Guide.

Type approval number: e1*2001/116*0301*00 to e1*2001/116*0301*11

Overview

Model engine output	Tyres	Tyre size	Wheel rim	Off-set in mm	Snow chains	Remarks
1.2l 40 kW; 1.2l 44 kW petrol engine without power as- sisted steering	Standard tyres	165/70 R 14 81T	5 J x 14 ⇒ page 61	35	Yes	General information on: ◆ Winter tyres ⇒ page 14 ◆ Snow chains ⇒ page 17
	Modification	No changes are permissible apart from the stand- ard wheel and tyre combinations!				



Model engine output	Tyres	Tyre size	Wheel rim	Off-set in mm	Snow chains	Remarks
	Winter tyres	165/70 R 14 81Q	5 J x 14 ⇒ page 61	35	Yes	Tyre makes recommended by Volkswagen: ◆ Summer tyres ⇒ page 462 ◆ Winter tyres ⇒ page 492
1.2l 40 kW; 1.2l 44 kW petrol engine with power assisted steering 1.4l 55 kW petrol engine	Standard tyres	165/70 R 14 81T	5 J x 14 ⇒ page 61	35	Yes	
	Modification	185/60 R 14 82T/H	6 J x 14 ⇒ page 61	43	Yes	
		195/55 R 15 85V	6 J x 15 ⇒ page 63	43	No	
	Winter tyres	165/70 R 14 81Q	5 J x 14 ⇒ page 61	35	Yes	
1.4l 51 kW diesel engine	Standard tyres	185/60 R 14 82T	6 J x 14 ⇒ page 61	43	Yes	
	Modification	165/70 R 14 81T	5 J x 14 ⇒ page 61	35	Yes	
		185/60 R 14 82H	6 J x 14 ⇒ page 61	43	Yes	
		195/55 R 15 85V	6 J x 15 ⇒ page 63	43	No	
	Winter tyres	165/70 R 14 81Q	5 J x 14 ⇒ page 61	35	Yes	
		185/60 R 14 82Q	6 J x 14 ⇒ page 61	43	Yes	

Tyre pressures are printed on the tyre inflation pressure label, which can be found on the inside of the tank flap and on the driver's B-pillar.

13.2 Wheel allocation for Fox, type 5Z model year 2006 to model year 2012

Explanation of information on wheels ⇒ [page 49](#)

Specified torques for wheel bolts ⇒ Running gear, axles, steering;
Rep. gr. 44 ; Fitting wheels and tyres; Fitting wheels

Pitch circle diameter: 100 mm
Number of wheel bolt holes: 5



13.2.1 5 J x 14

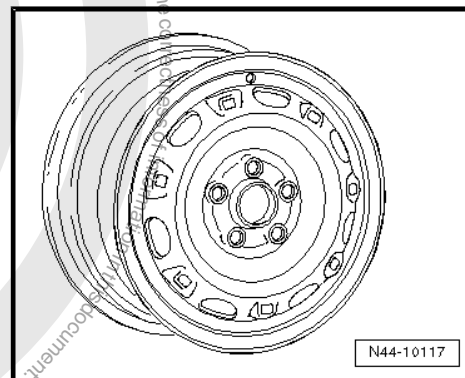


Caution

Observe the allocation of wheels and tyres to the respective engines, which are listed in the overview table ⇒ [page 59](#) .

6Q0 601 027 H, 6Q0 601 027 R - Wheel and tyre combination
⇒ [page 59](#)

Size:	5 J x 14
Wheel offset in mm:	35
Wheel load in kg:	455



13.2.2 6 J x 14



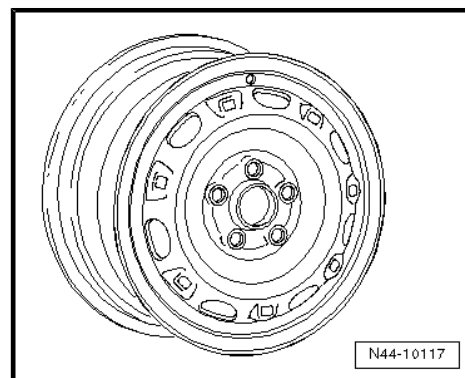
Caution

Observe the allocation of wheels and tyres to the respective engines, which are listed in the overview table ⇒ [page 59](#) .

For 1.2l 40 kW with power assisted steering, 1.4l 55 kW, 1.4 51 kW diesel

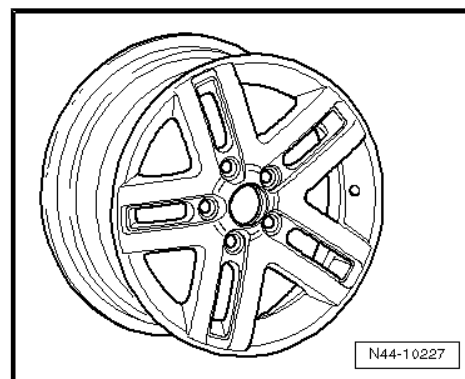
6Q0 601 027 F, 6Q0 601 027 P - Wheel and tyre combination
⇒ [page 60](#)

Size:	6 J x 14
Wheel offset in mm:	43
Wheel load in kg:	465



5Z0 601 025 - Wheel and tyre combination ⇒ [page 60](#)

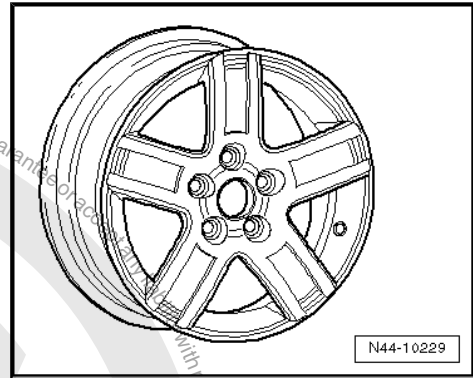
Size:	6 J x 14
Wheel offset in mm:	43
Wheel load in kg:	460





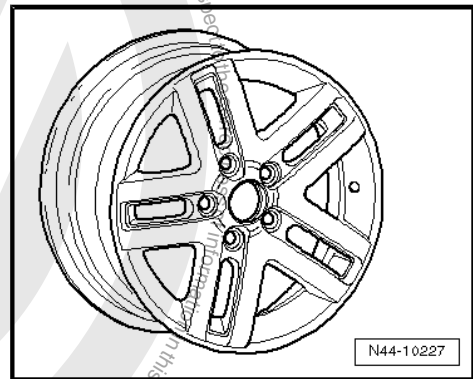
5Z0 601 025 C - Wheel and tyre combination ⇒ page 60

Size:	6 J x 14
Wheel offset in mm:	43
Wheel load in kg:	460



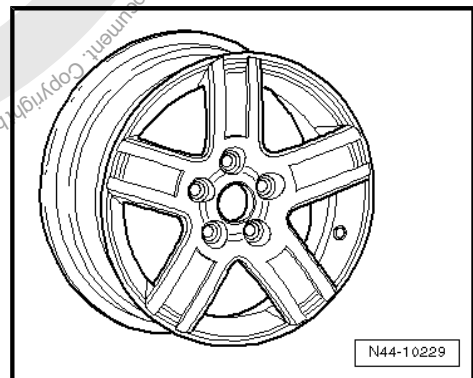
5Z0 601 025 E - Wheel and tyre combination ⇒ page 60

Size:	6 J x 14
Wheel offset in mm:	43
Wheel load in kg:	460



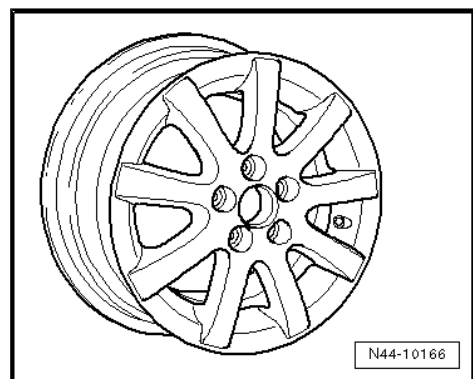
5Z0 601 025 K - Wheel and tyre combination ⇒ page 60

Size:	6 J x 14
Wheel offset in mm:	43
Wheel load in kg:	460



6Q0 601 025 Q - Wheel and tyre combination ⇒ page 60

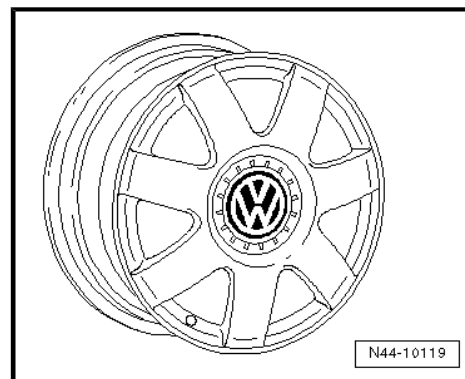
Size:	6 J x 14
Wheel offset in mm:	43
Wheel load in kg:	465





6Q0 601 025 K - Wheel and tyre combination ⇒ page 60

Size:	6 J x 14
Wheel offset in mm:	43
Wheel load in kg:	465



13.2.3 6 J x 15



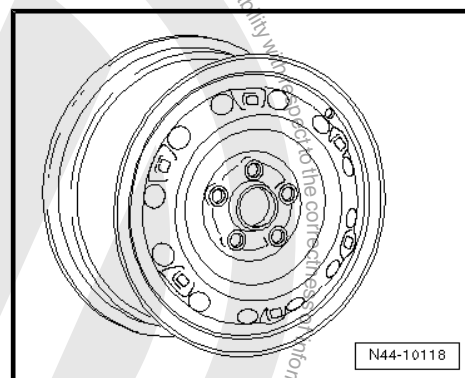
Caution

Observe the allocation of wheels and tyres to the respective engines, which are listed in the overview table ⇒ page 59 .

For 1.2l 40 kW with power assisted steering, 1.4l 55 kW, 1.4 51 kW diesel

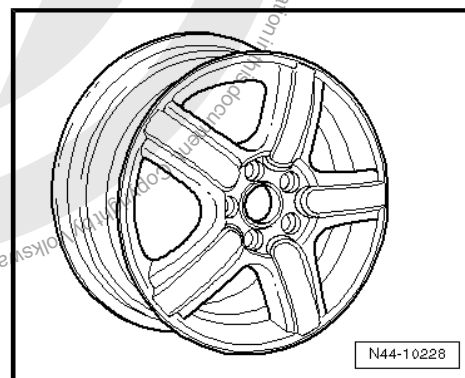
6Q0 601 027 G, 6Q0 601 027 Q - Wheel and tyre combination ⇒ page 60

Size:	6 J x 15
Wheel offset in mm:	43
Wheel load in kg:	500



5Z0 601 025 A - Wheel and tyre combination ⇒ page 60

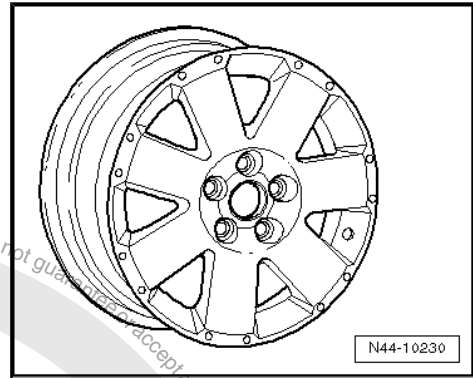
Size:	6 J x 15
Wheel offset in mm:	43
Wheel load in kg:	475





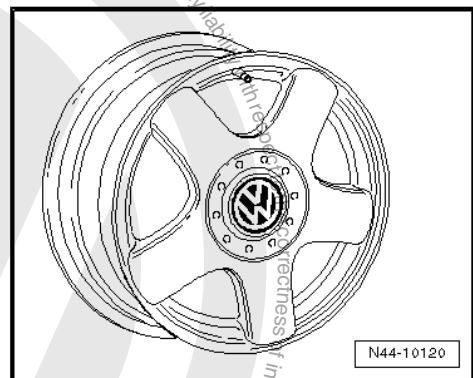
5Z0 601 025 D - Wheel and tyre combination ⇒ page 60

Size:	6 J x 15
Wheel offset in mm:	43
Wheel load in kg:	475



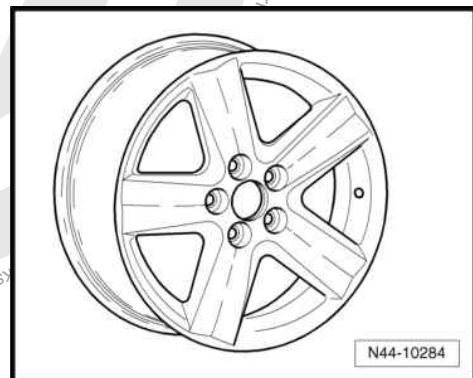
6Q0 601 025 L - Wheel and tyre combination ⇒ page 60

Size:	6 J x 15
Wheel offset in mm:	43
Wheel load in kg:	475



5Z0 601 025 F- Wheel and tyre combination ⇒ page 60

Size:	6 J x 15
Wheel offset in mm:	43
Wheel load in kg:	480



5Z0 601 025 J - Wheel and tyre combination ⇒ page 60

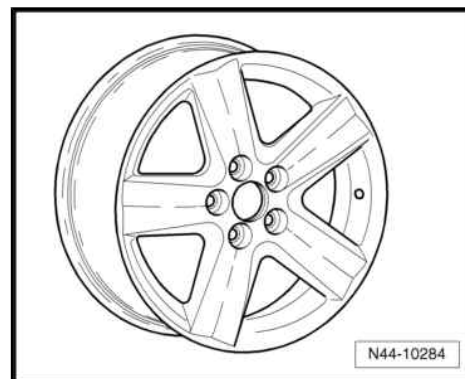
Size:	6 J x 15
Wheel offset in mm:	43
Wheel load in kg:	480





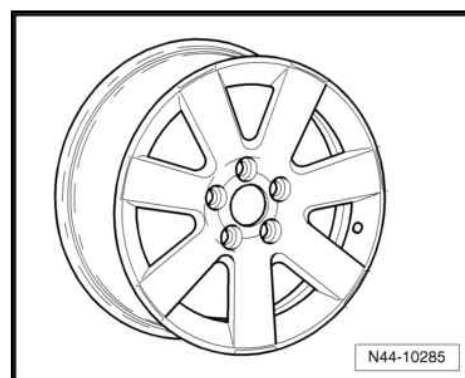
5Z0 601 025 M, 5Z0 601 025 P - Wheel and tyre combination
 ⇒ [page 60](#)

Size:	6 J x 15
Wheel offset in mm:	43
Wheel load in kg:	480



6QE 601 025 B - Wheel and tyre combination ⇒ [page 60](#)

Size:	6 J x 15
Wheel offset in mm:	43
Wheel load in kg:	480





14 up! from model year 2012

General

Volkswagen vehicles are built according to the latest findings in safety engineering. To keep it that way, we recommend the use of only genuine Volkswagen spare parts. You can recognise this by the VW Audi logo and by the part number. It has been established that these parts are reliable, safe and suitable.

Despite constant appraisal of the market, we cannot assess other products on these points, even when in isolated cases they have been passed by official inspectors or have been granted official approval. Therefore, we cannot, of course, assume any liability if these products are installed.



WARNING

The products from Volkswagen genuine parts and Volkswagen genuine accessories may differ in fitting requirements, torque specifications and so on.

Always follow the respective fitting and operating instructions.

The wheel and tyre combinations or changes listed in the vehicle tables refer exclusively to Volkswagen Genuine wheels. Approval of wheel and tyre combinations or a change to wheels from the accessories trade is not possible with the certificate statement attached here.



WARNING

The fitting instructions and torque specifications for wheels from Volkswagen genuine accessories may differ from those intended for wheels from Volkswagen genuine parts.

Therefore, always observe the torque settings for the wheel bolts as well as the respective fitting and operating instructions.

14.1 Advance information about up! Model year 2012

Overview

Model engine output	Tyres	Tyre size	Wheel rim	Offset in mm	Snow chains	Remarks
1.0l 44 kW 1.0l 55 kW petrol engine	Standard tyres	165/70 R 14 81T	5 J x 14	35	Yes	
	Modification	175/65 R 14 82T	5 J x 14	35	Yes	
		185/55 R 15 82T	5 ¹ / ₂ J x 15	41	No	
		185/50 R 16 81T	6 J x 16	43	No	
	Winter tyres	165/70 R 14 81Q/T	5 J x 14	35	Yes	

Tyre pressure information is located on the tyre pressure plate on the inside of the tank flap or on the driver side B-pillar.



15 Polo from model year 2010

General

Volkswagen vehicles are built according to the latest findings in safety engineering. To keep it that way, we recommend the use of only genuine Volkswagen spare parts. You can recognise this by the VW Audi logo and by the part number. It has been established that these parts are reliable, safe and suitable.

Despite constant appraisal of the market, we cannot assess other products on these points, even when in isolated cases they have been passed by official inspectors or have been granted official approval. Therefore, we cannot, of course, assume any liability if these products are installed.



WARNING

The products from Volkswagen genuine parts and Volkswagen accessories may differ in fitting requirements, torque specifications and so on.

Always follow the respective fitting and operating instructions.

The wheel and tyre combinations or changes listed in the vehicle tables refer exclusively to Volkswagen Genuine wheels. Approval of wheel and tyre combinations or a change to wheels from the accessories trade is not possible with the certificate statement attached here.



WARNING

The fitting instructions and torque specifications for wheels from Volkswagen accessories may differ from those intended for wheels from Volkswagen genuine parts.

Therefore, always observe the torque settings for the wheel bolts as well as the respective fitting and operating instructions.

15.1 Polo, type 6R model year 2010 to model year 2012

Appendix to certificate statement 8108110391

The certificate statement can be found on the Volkswagen ServiceNet under Accessories/Tyres, Wheels and Tyres, Wheels and Tyres Guide.

Type Approval No.: e1*2001/116*0510*00 to e1*2001/116*0510*10

Overview

Model engine output	Tyres	Tyre size	Wheel rim	Off-set in mm	Snow chains	Remarks
1.2 44 kW 1.2 51 kW; 1.2 77 kW; 1.4 63 kW petrol engines;	Standard tyres	175/70 R 14 84T	5 J x 14 ⇒ page 69	35	Yes	General information on: ◆ Winter tyres ⇒ page 14 ◆ Snow chains ⇒ page 17



Model engine output	Tyres	Tyre size	Wheel rim	Off-set in mm	Snow chains	Remarks
1.2l 55 kW; 1.6l 55 kW; diesel engine; 1.6l 66 kW; diesel engine with manual gearbox 1.4l 63 kW 1.6l 60 kW BiFuel (Autogas LPG)	Modification	185/60 R 15 84T	6 J x 15 ≧ page 70	38	Yes	Tyre makes recom- mended by Volkswa- gen: ◆ Summer tyres ≧ page 462 ◆ All-season tyres ≧ page 484 ◆ Winter tyres ≧ page 492 For vehicles with a 1.6l 60 kW BiFuel en- gine (Autogas LPG), the changes to the tyre sizes shown on the left are applica- ble with retrospec- tive effect up to Type Approval Number e1*2001/116*0510* 08- They have been authorised by the German office for motor vehicles (Kraftfahrt-Bunde- samt) with „extract from EC approval number e1*2001/116*0510* 10“. This extract must be kept in the vehicle by the re- spective vehicle op- erators if the tyre sizes shown on the left are not indicated in the vehicle regis- tration papers but are fitted on the ve- hicle. This extract can be found on the Volkswagen Serv- iceNet under Acces- sories/Tyres, Wheels and Tyres, Wheels and Tyres Guide, Certifying Statements.
		185/60 R 15 84T	6 J x 15 ≧ page 70	40	Yes	
		195/55 R 15 85T	6 J x 15 ≧ page 70	40	Yes	
		215/45 R 16 86T	7 J x 16 ≧ page 71	46	No	
		215/40 R 17 87T	7 J x 17 ≧ page 72	46	No	
	Winter tyres	175/70 R 14 84Q/T	5 J x 14 ≧ page 69	35	Yes	
		185/60 R 15 84Q/T	6 J x 15 ≧ page 70	38	Yes	
	1.6l 66 kW diesel engine with dual clutch gearbox	Standard tyres	175/70 R 14 88T	5 J x 14 ≧ page 69	35	
Modification		185/60 R 15 88T	6 J x 15 ≧ page 70	38	Yes	
		185/60 R 15 88T	6 J x 15 ≧ page 70	40	Yes	



Model engine output	Tyres	Tyre size	Wheel rim	Off-set in mm	Snow chains	Remarks
		195/55 R 15 85T	6 J x 15 ⇒ page 70	40	Yes	
		215/45 R 16 86T	7 J x 16 ⇒ page 71	46	No	
		215/40 R 17 87T	7 J x 17 ⇒ page 72	46	No	
	Winter tyres	175/70 R 14 88Q/T	5 J x 14 ⇒ page 69	35	Yes	
		185/60 R 15 88Q/T	6 J x 15 ⇒ page 70	38	Yes	
1.6l 77 kW diesel engine	Standard tyres	185/60 R 15 84H	6 J x 15 ⇒ page 70	40	Yes	
	Modification	185/60 R 15 84H	6 J x 15 ⇒ page 70	38	Yes	
		195/55 R 15 85H	6 J x 15 ⇒ page 70	40	Yes	
		215/45 R 16 86H	7 J x 16 ⇒ page 71	46	No	
		215/40 R 17 87H	7 J x 17 ⇒ page 72	46	No	
	Winter tyres	185/60 R 15 84Q/T	6 J x 15 ⇒ page 70	38	Yes	

Tyre pressures are printed on the tyre inflation pressure label, which can be found on the inside of the tank flap and on the driver's B-pillar.

15.2 Wheel allocation for Polo, type 6R model year 2010 to model year 2012


Explanation of information on wheels ⇒ [page 49](#)

Specified torques for wheel bolts ⇒ Running gear, axles, steering;
Rep. gr. 44 ; Fitting wheels and tyres; Fitting wheels

Pitch circle diameter: 100 mm

Number of wheel bolt holes: 5

15.2.1 5 J x 14



Caution

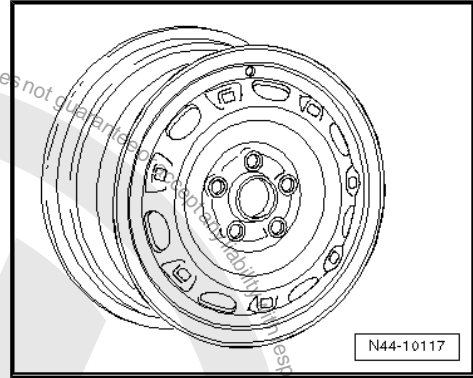
Observe the allocation of wheels and tyres to the respective engines, which are listed in the overview table ⇒ [page 67](#).



6Q0 601 027 R - Wheel and tyre combination ⇒ page 67

Only for vehicles to maximum permissible axle load of 910 kg

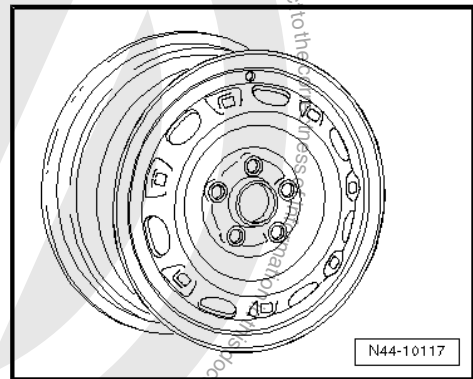
Size:	5 J x 14
Wheel offset in mm:	35
Wheel load in kg:	455



6R0 601 027 H - Wheel and tyre combination ⇒ page 67

Only for vehicles to maximum permissible axle load of 920 kg

Size:	5 J x 14
Wheel offset in mm:	35
Wheel load in kg:	460



15.2.2 6 J x 15 offset 38

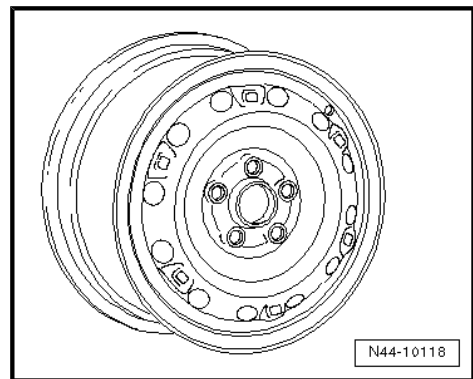


Caution

Observe the allocation of wheels and tyres to the respective engines, which are listed in the overview table ⇒ page 67.

6R0 601 027 D, 6R0 601 027 E - Wheel and tyre combination ⇒ page 68

Size:	6 J x 15
Wheel offset in mm:	38
Wheel load in kg:	500



15.2.3 6 J x 15 offset 40



Caution

Observe the allocation of wheels and tyres to the respective engines, which are listed in the overview table ⇒ page 67.



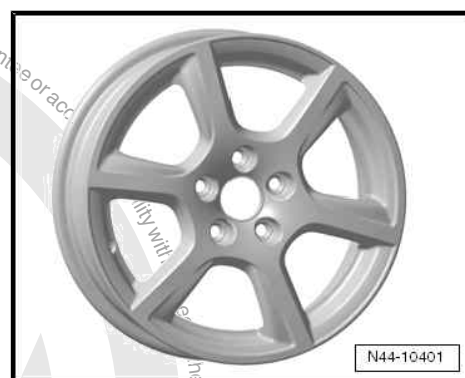
6R0 601 025 D, 6R0 601 025 L, 6R0 601 025 F - Wheel and tyre combination ⇒ page 68

Size:	6 J x 15
Wheel offset in mm:	40
Wheel load in kg:	480



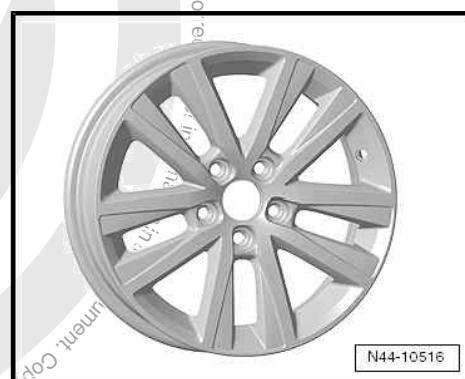
6R0 601 025 C, 6R0 601 025 M - Wheel and tyre combination ⇒ page 68

Size:	6 J x 15
Wheel offset in mm:	40
Wheel load in kg:	480



6R0 601 025 R - Wheel and tyre combination ⇒ page 68

Size:	6 J x 15
Wheel offset in mm:	40
Wheel load in kg:	480



15.2.4 7 J x 16

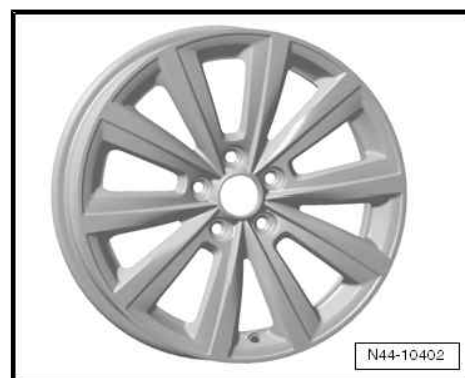


Caution

Observe the allocation of wheels and tyres to the respective engines, which are listed in the overview table ⇒ page 67 .

6R0 601 025, 6R0 601 025 G, 6R0 601 025 K - Wheel and tyre combination ⇒ page 68

Size:	7 J x 16
Wheel offset in mm:	46
Wheel load in kg:	480





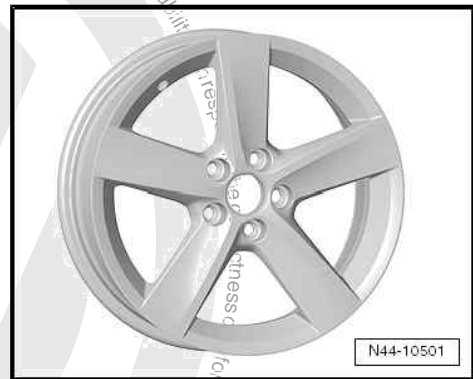
6R0 601 025 N - Wheel and tyre combination ⇒ page 68

Size:	7 J x 16
Wheel offset in mm:	46
Wheel load in kg:	480



6R0 601 025 Q - Wheel and tyre combination ⇒ page 68

Size:	7 J x 16
Wheel offset in mm:	46
Wheel load in kg:	480



15.2.5 7 J x 17



Caution

Observe the allocation of wheels and tyres to the respective engines, which are listed in the overview table ⇒ page 67.

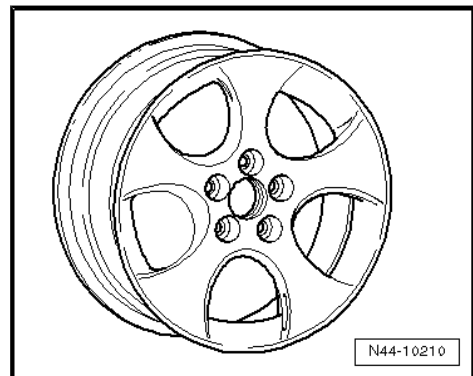
6R0 601 025 A - Wheel and tyre combination ⇒ page 68

Size:	7 J x 17
Wheel offset in mm:	46
Wheel load in kg:	480



6R0 601 025 H, 6R0 601 025 S - Wheel and tyre combination ⇒ page 68

Size:	7 J x 17
Wheel offset in mm:	46
Wheel load in kg:	480





16 Polo BlueMotion from model year 2010

General

Volkswagen vehicles are built according to the latest findings in safety engineering. To keep it that way, we recommend the use of only genuine Volkswagen spare parts. You can recognise this by the VW Audi logo and by the part number. It has been established that these parts are reliable, safe and suitable.

Despite constant appraisal of the market, we cannot assess other products on these points, even when in isolated cases they have been passed by official inspectors or have been granted official approval. Therefore, we cannot, of course, assume any liability if these products are installed.



WARNING

The products from Volkswagen genuine parts and Volkswagen accessories may differ in fitting requirements, torque specifications and so on.

Always follow the respective fitting and operating instructions.

The wheel and tyre combinations or changes listed in the vehicle tables refer exclusively to Volkswagen Genuine wheels. Approval of wheel and tyre combinations or a change to wheels from the accessories trade is not possible with the certificate statement attached here.



WARNING

The fitting instructions and torque specifications for wheels from Volkswagen accessories may differ from those intended for wheels from Volkswagen genuine parts.

Therefore, always observe the torque settings for the wheel bolts as well as the respective fitting and operating instructions.

16.1 Polo BlueMotion, type 6R model year 2010 to model year 2012

Appendix to certificate statement 8108110391

The certificate statement can be found on the Volkswagen ServiceNet under Accessories/Tyres, Wheels and Tyres, Wheels and Tyres Guide.

Type Approval No.: e1*2001/116*0510*02 to e1*2001/116*0510*10

Overview

Model engine output	Tyres	Tyre size	Wheel rim	Off-set in mm	Snow chains	Remarks
1,2l, 51 kW petrol engine with manual gearbox	Standard tyres	185/60 R 15 84T	6 J x 15 ⇒ page 75	38	Yes	General information on: ♦ Winter tyres ⇒ page 14 ♦ Snow chains ⇒ page 17



Model engine output	Tyres	Tyre size	Wheel rim	Off-set in mm	Snow chains	Remarks
1.2l 55 kW; 1.6l 66 kW; diesel engines with manual gearbox	Modification	185/60 R 15 84T	5 ¹ / ₂ J x 15 ⇒ page 74	38	Yes	Tyre makes recom- mended by Volkswa- gen: ◆ Summer tyres ⇒ page 463 ◆ All-season tyres ⇒ page 484 ◆ Winter tyres ⇒ page 493
		185/60 R 15 84T	6 J x 15 ⇒ page 75	40	Yes	
	Winter tyres	185/60 R 15 84Q/T	6 J x 15 ⇒ page 75	38	Yes	

Tyre pressures are printed on the tyre inflation pressure label, which can be found on the inside of the tank flap and on the driver's B-pillar.

16.2 Wheel allocation for Polo BlueMotion, type 6R model year 2010 to model year 2012

Explanation of information on wheels ⇒ [page 49](#)

Specified torques for wheel bolts ⇒ Running gear, axles, steering;
Rep. gr. 44 ; Fitting wheels and tyres; Fitting wheels

Pitch circle diameter: 100 mm

Number of wheel bolt holes: 5

16.2.1 5¹/₂ J x 15



Caution

Observe the allocation of wheels and tyres to the respective engines, which are listed in the overview table ⇒ [page 73](#).


6R0 601 025 E - Wheel and tyre combination ⇒ [page 74](#)

Size:	5 ¹ / ₂ J x 15
Wheel offset in mm:	38
Wheel load in kg:	470



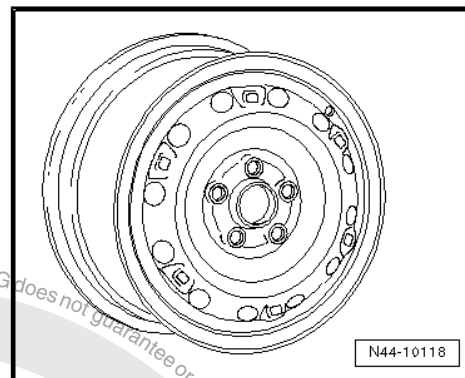


16.2.2 6 J x 15 offset 38


 **Caution**
Observe the allocation of wheels and tyres to the respective engines, which are listed in the overview table ⇒ [page 73](#) .

6R0 601 027 D, 6R0 601 027 E - Wheel and tyre combination
 ⇒ [page 73](#)

Size:	6 J x 15
Wheel offset in mm:	38
Wheel load in kg:	500



16.2.3 6 J x 15 offset 40

 **Caution**
Observe the allocation of wheels and tyres to the respective engines, which are listed in the overview table ⇒ [page 73](#) .

6R0 601 025 D, 6R0 601 025 L, 6R0 601 025 F - Wheel and tyre combination
 ⇒ [page 74](#)

Size:	6 J x 15
Wheel offset in mm:	40
Wheel load in kg:	480



6R0 601 025 C, 6R0 601 025 M - Wheel and tyre combination
 ⇒ [page 74](#)

Size:	6 J x 15
Wheel offset in mm:	40
Wheel load in kg:	480





6R0 601 025 R - Wheel and tyre combination ⇒ [page 74](#)

Size:	6 J x 15
Wheel offset in mm:	40
Wheel load in kg:	480





17 CrossPolo from model year 2011

General

Volkswagen vehicles are built according to the latest findings in safety engineering. To keep it that way, we recommend the use of only genuine Volkswagen spare parts. You can recognise this by the VW Audi logo and by the part number. It has been established that these parts are reliable, safe and suitable.

Despite constant appraisal of the market, we cannot assess other products on these points, even when in isolated cases they have been passed by official inspectors or have been granted official approval. Therefore, we cannot, of course, assume any liability if these products are installed.



WARNING

The products from Volkswagen genuine parts and Volkswagen accessories may differ in fitting requirements, torque specifications and so on.

Always follow the respective fitting and operating instructions.

The wheel and tyre combinations or changes listed in the vehicle tables refer exclusively to Volkswagen Genuine wheels. Approval of wheel and tyre combinations or a change to wheels from the accessories trade is not possible with the certificate statement attached here.



WARNING

The fitting instructions and torque specifications for wheels from Volkswagen accessories may differ from those intended for wheels from Volkswagen genuine parts.

Therefore, always observe the torque settings for the wheel bolts as well as the respective fitting and operating instructions.

17.1 CrossPolo, type 6R model year 2011 to model year 2012

Appendix to certificate statement 8108110391

The certificate statement can be found on the Volkswagen ServiceNet under Accessories/Tyres, Wheels and Tyres, Wheels and Tyres Guide.

Type Approval No.: e1*2001/116*0510*05 to e1*2001/116*0510*10

Overview

Model engine output	Tyres	Tyre size	Wheel rim	Off-set in mm	Snow chains	Remarks
1.2l 51 kW; 1.2l 77 kW; 1.4l 63 kW petrol engines;	Standard tyres	215/40 R 17 87H	7 1/2 J x 17 ⇒ page 83	38	No	General information on: ◆ Winter tyres ⇒ page 14 ◆ Snow chains ⇒ page 17
	Modification	175/70 R 14 84T	5 J x 14 ⇒ page 79	35	Yes	



Model engine output	Tyres	Tyre size	Wheel rim	Off-set in mm	Snow chains	Remarks
1.2l 55 kW; 1.6l 55 kW; diesel engine; 1.6l 66 kW; diesel engine with manual gearbox		185/60 R 15 84T	6 J x 15 ⇒ page 80	38	Yes	Tyre makes recom- mended by Volkswa- gen: ◆ Summer tyres ⇒ page 464 ◆ All-season tyres ⇒ page 484 ◆ Winter tyres ⇒ page 493
		185/60 R 15 84T	6 J x 15 ⇒ page 80	40	Yes	
		195/55 R 15 85T	6 J x 15 ⇒ page 80	40	Yes	
		215/45 R 16 86T	7 J x 16 ⇒ page 81	46	No	
		215/40 R 17 87T	7 J x 17 ⇒ page 82	46	No	
	Winter tyres	175/70 R 14 84Q/T	5 J x 14 ⇒ page 79	35	Yes	
		185/60 R 15 84Q/T	6 J x 15 ⇒ page 80	38	Yes	
1.6l 66 kW diesel engine with dual clutch gearbox	Standard tyres	215/40 R 17 87H	7 ¹ / ₂ J x 17 ⇒ page 83	38	No	
	Modification	175/70 R 14 88T	5 J x 14 ⇒ page 79	35	Yes	
		185/60 R 15 88T	6 J x 15 ⇒ page 80	38	Yes	
		185/60 R 15 88T	6 J x 15 ⇒ page 80	40	Yes	
		195/55 R 15 85T	6 J x 15 ⇒ page 80	40	Yes	
		215/45 R 16 86T	7 J x 16 ⇒ page 81	46	No	
		215/40 R 17 87T	7 J x 17 ⇒ page 82	46	No	
		Winter tyres	175/70 R 14 88Q/T	5 J x 14 ⇒ page 79	35	Yes
	185/60 R 15 88Q/T		6 J x 15 ⇒ page 80	38	Yes	



Model engine output	Tyres	Tyre size	Wheel rim	Off-set in mm	Snow chains	Remarks
1.6l 77 kW diesel engine	Standard tyres	215/40 R 17 87H	7 1/2 J x 17 ⇒ page 83	38	No	
	Modification	185/60 R 15 84H	6 J x 15 ⇒ page 80	38	Yes	
		185/60 R 15 84H	6 J x 15 ⇒ page 80	40	Yes	
		195/55 R 15 85H	6 J x 15 ⇒ page 80	40	Yes	
		215/45 R 16 86H	7 J x 16 ⇒ page 81	46	No	
		215/40 R 17 87H	7 J x 17 ⇒ page 82	46	No	
	Winter tyres	185/60 R 15 84Q/T	6 J x 15 ⇒ page 80	38	Yes	

Tyre pressures are printed on the tyre inflation pressure label, which can be found on the inside of the tank flap and on the driver's B-pillar.

17.2 Wheel allocation CrossPolo, type 6R model year 2011 to model year 2012

Explanation of information on wheels ⇒ [page 49](#)

Specified torques for wheel bolts ⇒ Running gear, axles, steering;
Rep. gr. 44 ; Fitting wheels and tyres; Fitting wheels

Pitch circle diameter: 100 mm

Number of wheel bolt holes: 5

17.2.1 5 J x 14



Caution

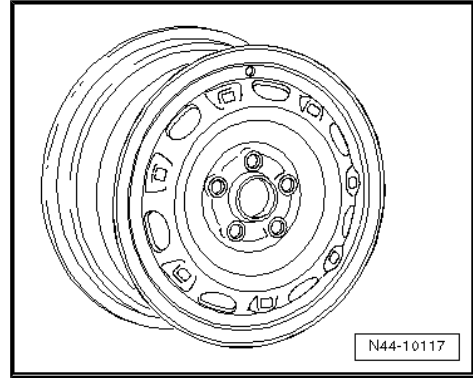
Observe the allocation of wheels and tyres to the respective engines, which are listed in the overview table ⇒ [page 77](#) .



6Q0 601 027 R - Wheel and tyre combination ⇒ page 77

Only for vehicles to maximum permissible axle load of 910 kg

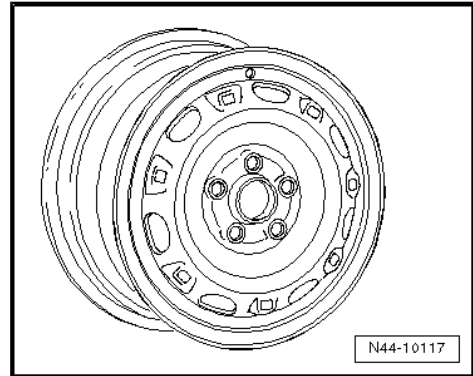
Size:	5 J x 14
Wheel offset in mm:	35
Wheel load in kg:	455



6R0 601 027 H - Wheel and tyre combination ⇒ page 77

Only for vehicles to maximum permissible axle load of 920 kg

Size:	5 J x 14
Wheel offset in mm:	35
Wheel load in kg:	460



17.2.2 6 J x 15 offset 38

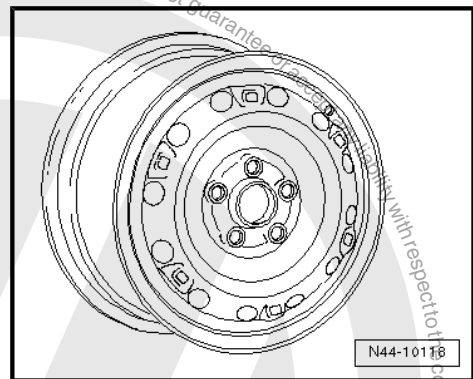


Caution

Observe the allocation of wheels and tyres to the respective engines, which are listed in the overview table ⇒ page 77 .

6R0 601 027 D, 6R0 601 027 E - Wheel and tyre combination ⇒ page 78

Size:	6 J x 15
Wheel offset in mm:	38
Wheel load in kg:	500



17.2.3 6 J x 15 offset 40



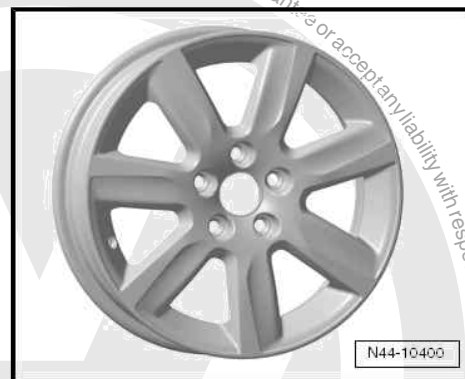
Caution

Observe the allocation of wheels and tyres to the respective engines, which are listed in the overview table ⇒ page 77 .



6R0 601 025 D, 6R0 601 025 L, 6R0 601 025 F - Wheel and tyre combination ⇒ page 78

Size:	6 J x 15
Wheel offset in mm:	40
Wheel load in kg:	480



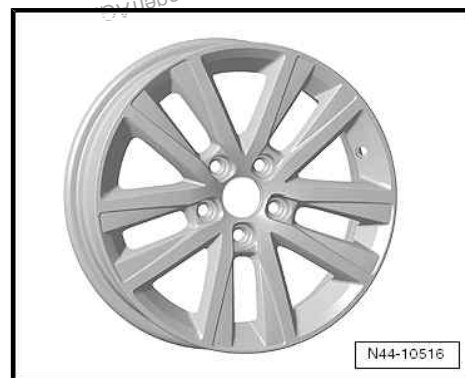
6R0 601 025 C, 6R0 601 025 M - Wheel and tyre combination ⇒ page 78

Size:	6 J x 15
Wheel offset in mm:	40
Wheel load in kg:	480



6R0 601 025 R - Wheel and tyre combination ⇒ page 78

Size:	6 J x 15
Wheel offset in mm:	40
Wheel load in kg:	480

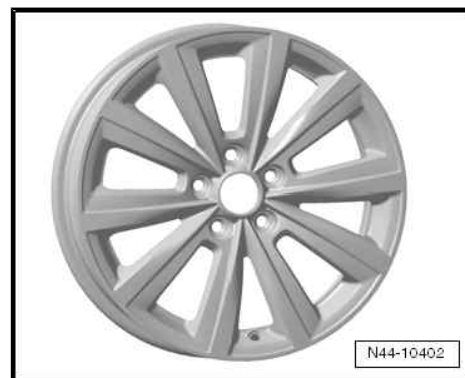


17.2.4 7 J x 16

	Caution
<i>Observe the allocation of wheels and tyres to the respective engines, which are listed in the overview table ⇒ page 77 .</i>	

6R0 601 025, 6R0 601 025 G, 6R0 601 025 K - Wheel and tyre combination ⇒ page 78

Size:	7 J x 16
Wheel offset in mm:	46
Wheel load in kg:	480





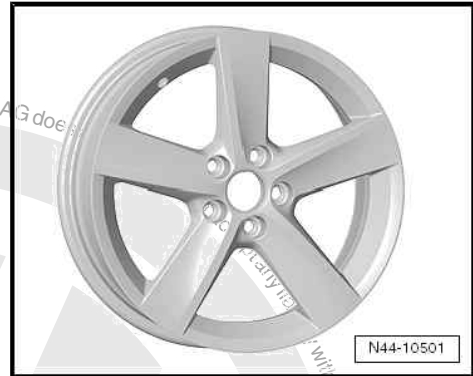
6R0 601 025 N - Wheel and tyre combination ⇒ page 78

Size:	7 J x 16
Wheel offset in mm:	46
Wheel load in kg:	480



6R0 601 025 Q - Wheel and tyre combination ⇒ page 78

Size:	7 J x 16
Wheel offset in mm:	46
Wheel load in kg:	480



17.2.5 7 J x 17

	Caution
<i>Observe the allocation of wheels and tyres to the respective engines, which are listed in the overview table ⇒ page 77 .</i>	

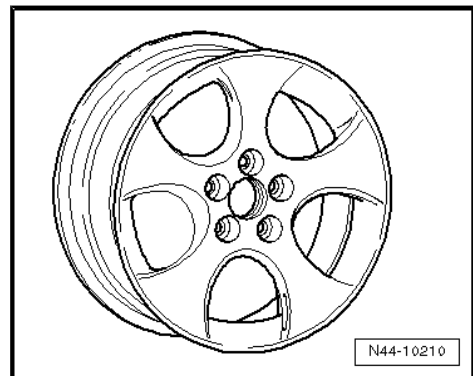
6R0 601 025 A - Wheel and tyre combination ⇒ page 78

Size:	7 J x 17
Wheel offset in mm:	46
Wheel load in kg:	480



6R0 601 025 H, 6R0 601 025 S - Wheel and tyre combination ⇒ page 78

Size:	7 J x 17
Wheel offset in mm:	46
Wheel load in kg:	480





17.2.6 7¹/₂ J x 17

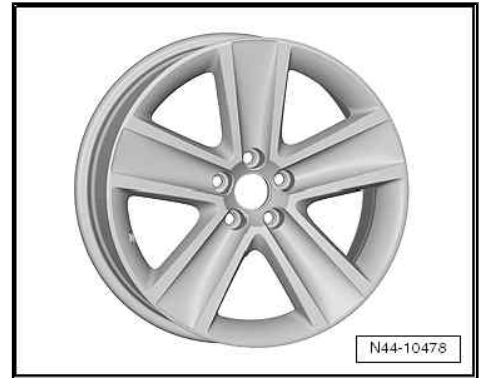


Caution

Observe the allocation of wheels and tyres to the respective engines, which are listed in the overview table ⇒ [page 77](#).

6R0 601 025 P - Wheel and tyre combination ⇒ [page 77](#)

Size:	7 ¹ / ₂ J x 17
Wheel offset in mm:	38
Wheel load in kg:	480





18 Polo GTI from model year 2011

General

Volkswagen vehicles are built according to the latest findings in safety engineering. To keep it that way, we recommend the use of only genuine Volkswagen spare parts. You can recognise this by the VW Audi logo and by the part number. It has been established that these parts are reliable, safe and suitable.

Despite constant appraisal of the market, we cannot assess other products on these points, even when in isolated cases they have been passed by official inspectors or have been granted official approval. Therefore, we cannot, of course, assume any liability if these products are installed.



WARNING

The products from Volkswagen genuine parts and Volkswagen accessories may differ in fitting requirements, torque specifications and so on.

Always follow the respective fitting and operating instructions.

The wheel and tyre combinations or changes listed in the vehicle tables refer exclusively to Volkswagen Genuine wheels. Approval of wheel and tyre combinations or a change to wheels from the accessories trade is not possible with the certificate statement attached here.



WARNING

The fitting instructions and torque specifications for wheels from Volkswagen accessories may differ from those intended for wheels from Volkswagen genuine parts.

Therefore, always observe the torque settings for the wheel bolts as well as the respective fitting and operating instructions.

18.1 Polo GTI, type 6R model year 2011 to model year 2012

Appendix to certificate statement 8108110391

The certificate statement can be found on the Volkswagen ServiceNet under Accessories/Tyres, Wheels and Tyres, Wheels and Tyres Guide.

Type Approval No.: e1*2001/116*0510*06 to e1*2001/116*0510*10

Overview

Model engine output	Tyres	Tyre size	Wheel rim	Offset in mm	Snow chains	Remarks
1.4 I 132 kW; petrol engine	Standard tyres	215/40 R 17 87V	7 J x 17 ⇒ page 87	46	No	General information on: ◆ Winter tyres ⇒ page 14 ◆ Snow chains ⇒ page 17
	Modification	215/45 R 16 86V	7 J x 16 ⇒ page 86	46	No	Tyre makes recommended by Volkswagen:



Model engine output	Tyres	Tyre size	Wheel rim	Off-set in mm	Snow chains	Remarks
	Winter tyres	185/60 R 15 84T	6 J x 15 ≧ page 85	38	Yes	<ul style="list-style-type: none"> ◆ Summer tyres ⇒ page 464 ◆ All-season tyres ⇒ page 485 ◆ Winter tyres ⇒ page 493
		185/60 R 15 84T	6 J x 15 ≧ page 85	40	Yes	

Tyre pressures are printed on the tyre inflation pressure label, which can be found on the inside of the tank flap and on the driver's B-pillar.

18.2 Wheel allocation Polo GTI, type 6R model year 2011 to model year 2012


Explanation of information on wheels ⇒ page 49

Specified torques for wheel bolts ⇒ Running gear, axles, steering;
Rep. gr. 44 ; Fitting wheels and tyres; Fitting wheels

Pitch circle diameter: 100 mm

Number of wheel bolt holes: 5

18.2.1 6 J x 15 offset 38

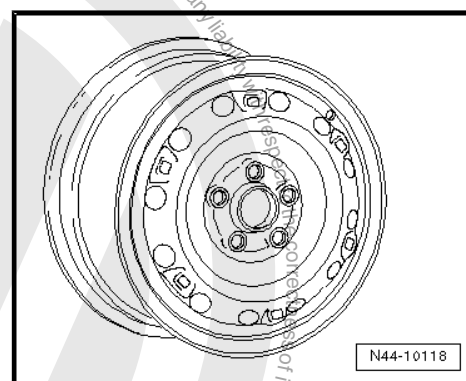


Caution


Observe the allocation of wheels and tyres to the respective engines, which are listed in the overview table ⇒ page 84 .

6R0 601 027 D, 6R0 601 027 E - Wheel and tyre combination
⇒ page 85

Size:	6 J x 15
Wheel offset in mm:	38
Wheel load in kg:	500



18.2.2 6 J x 15 offset 40



Caution

Observe the allocation of wheels and tyres to the respective engines, which are listed in the overview table ⇒ page 84 .



6R0 601 025 D, 6R0 601 025 L, 6R0 601 025 F - Wheel and tyre combination ⇒ [page 85](#)

Size:	6 J x 15
Wheel offset in mm:	40
Wheel load in kg:	480



6R0 601 025 C, 6R0 601 025 M - Wheel and tyre combination ⇒ [page 85](#)

Size:	6 J x 15
Wheel offset in mm:	40
Wheel load in kg:	480



6R0 601 025 R - Wheel and tyre combination ⇒ [page 85](#)

Size:	6 J x 15
Wheel offset in mm:	40
Wheel load in kg:	480



18.2.3 7 J x 16

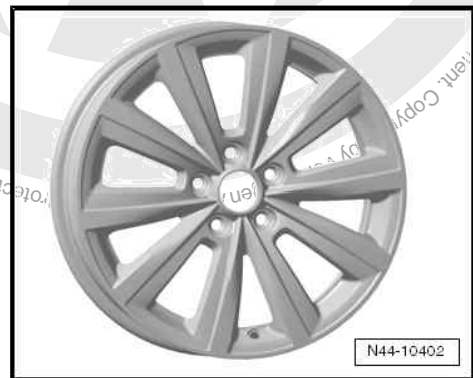


Caution

Observe the allocation of wheels and tyres to the respective engines, which are listed in the overview table ⇒ [page 84](#) .

6R0 601 025 G, 6R0 601 025 K - Wheel and tyre combination ⇒ [page 84](#)

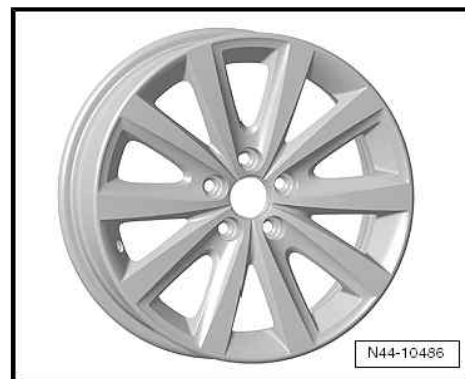
Size:	7 J x 16
Wheel offset in mm:	46
Wheel load in kg:	480





6R0 601 025 N - Wheel and tyre combination ⇒ page 84

Size:	7 J x 16
Wheel offset in mm:	46
Wheel load in kg:	480




6R0 601 025 Q - Wheel and tyre combination ⇒ page 84

Size:	7 J x 16
Wheel offset in mm:	46
Wheel load in kg:	480



18.2.4 7 J x 17

 **Caution**
Observe the allocation of wheels and tyres to the respective engines, which are listed in the overview table ⇒ page 84 .

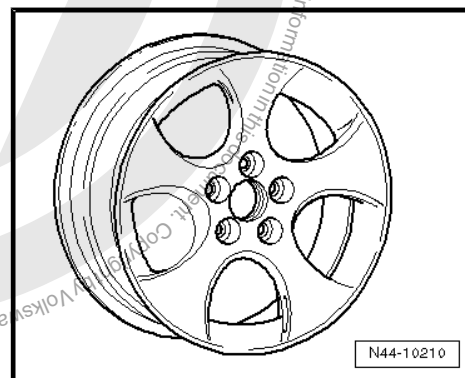
6R0 601 025 A - Wheel and tyre combination ⇒ page 84

Size:	7 J x 17
Wheel offset in mm:	46
Wheel load in kg:	480



6R0 601 025 H, 6R0 601 025 S - Wheel and tyre combination ⇒ page 84

Size:	7 J x 17
Wheel offset in mm:	46
Wheel load in kg:	480





19 Golf from model year 2009

General

Volkswagen vehicles are built according to the latest findings in safety engineering. To keep it that way, we recommend the use of only genuine Volkswagen spare parts. You can recognise this by the VW Audi logo and by the part number. It has been established that these parts are reliable, safe and suitable.

Despite constant appraisal of the market, we cannot assess other products on these points, even when in isolated cases they have been passed by official inspectors or have been granted official approval. Therefore, we cannot, of course, assume any liability if these products are installed.



WARNING

The products from Volkswagen genuine parts and Volkswagen accessories may differ in fitting requirements, torque specifications and so on.

Always follow the respective fitting and operating instructions.

The wheel and tyre combinations or changes listed in the vehicle tables refer exclusively to Volkswagen Genuine wheels. Approval of wheel and tyre combinations or a change to wheels from the accessories trade is not possible with the certificate statement attached here.



WARNING

The fitting instructions and torque specifications for wheels from Volkswagen accessories may differ from those intended for wheels from Volkswagen genuine parts.

Therefore, always observe the torque settings for the wheel bolts as well as the respective fitting and operating instructions.

19.1 Golf, Golf 4Motion, sales type 5K model year 2009 to model year 2012



Caution

The Golf will be listed according to the sales types and not by the type approval model codes.

The type approval model code and the associated type approval number are listed as follows.

Golf, type approval code 1K

Appendix to certificate statement 8107901214

The certificate statement can be found on the Volkswagen ServiceNet under Accessories/Tyres, Wheels and Tyres, Wheels and Tyres Guide.



Type Approval No.: e1*2001/116*0242*25 to
e1*2001/116*0242*38

Overview

Model engine output	Tyres	Tyre size	Wheel rim	Off-set in mm	Snow chains	Remarks
1.2l 63 kW 1.2l 77 kW 1.4l 59 kW 1.6l 75 kW petrol engines 1.6l 75 kW; FlexFuel (bioethanol E85) 1.6l 75 kW BiFuel (autogas LPG) 1.6l 66 kW TDI; 1.6l 77 kW TDI; diesel engine	Standard tyres	195/65 R 15 91T	6 J x 15 ⇒ page 92	47	Yes	General information on: ♦ Winter tyres ⇒ page 14 ♦ Snow chains ⇒ page 17
	Modification	195/65 R 15 91H/V	6 J x 15 ⇒ page 92	47	Yes	Tyre makes recommended by Volkswagen:
	195/65 R 15 91T/H/V	6 ¹ / ₂ J x 15 ⇒ page 93	50	Yes	♦ Summer tyres ⇒ page 465 ♦ All-season tyres ⇒ page 485 ♦ Winter tyres ⇒ page 493	
	205/60 R 15 91T/H/V	6 J x 15 ⇒ page 92	47	Yes		
	205/55 R 16 91T/H/V/W	6 ¹ / ₂ J x 16 ⇒ page 95	50	No		
	205/50 R 17 93T/H/V	6 J x 17 ⇒ page 100	48.5	Yes*** ⇒ page 90		
	225/45 R 17 91T/H/V/W	7 J x 17 ⇒ page 101	54	No		
	225/45 R 17 91T/H/V/W * ⇒ page 89	7 ¹ / ₂ J x 17 ⇒ page 104	51	No	* 225/45 R 17 91T/H/V/W tyres on 7 ¹ / ₂ J x 17 rims with an offset of 51 are permitted only on vehicles with sports running gear!	
	225/40 R 18 92Y** ⇒ page 89	7 ¹ / ₂ J x 18 ⇒ page 106	51	No	** 225/40 R 18 92Y tyres on 7 ¹ / ₂ J x 18 rims with an offset of 51 are permitted only on vehicles with sports running gear and rear axle camber of -1°45'!	
Winter tyres	195/65 R 15 91Q/T/H	6 J x 15 ⇒ page 92	47	Yes		



Model engine output	Tyres	Tyre size	Wheel rim	Off-set in mm	Snow chains	Remarks
		205/55 R 16 91Q/T/H	6 J x 16 ⇒ page 94	50	Yes	*** Only snow chains with fine links of no more than 8 mm may be used ⇒ Electronic parts catalogue „ETKA - Accessories catalogue“ .
		205/50 R 17 93Q/T/H	6 J x 17 ⇒ page 100	48.5	Yes*** ⇒ page 90	
1.4l 90 kW petrol engine	Standard tyres	195/65 R 15 91H	6 J x 15 ⇒ page 92	47	Yes	* 225/45 R 17 91H/V/W tyres on 7 ¹ / ₂ J x 17 rims with an offset of 51 are only possible in combination with sports running gear! ** 225/40 R 18 92Y tyres on 7 ¹ / ₂ J x 18 rims with an offset of 51 are permitted only on vehicles with sports running gear and rear axle camber of -1°45'!
2.0l 81 kW TDI; 2.0l 100 kW TDI; diesel engines 2.0l 103 kW TDI diesel engine with front-wheel drive	Modification	195/65 R 15 91V	6 J x 15 ⇒ page 92	47	Yes	
		195/65 R 15 91H/V	6 ¹ / ₂ J x 15 ⇒ page 93	50	Yes	
		205/60 R 15 91H/V	6 J x 15 ⇒ page 92	47	Yes	
		205/55 R 16 91H/V/W	6 ¹ / ₂ J x 16 ⇒ page 95	50	No	
		205/50 R 17 93H/V/W	6 J x 17 ⇒ page 100	48.5	Yes*** ⇒ page 90	
		225/45 R 17 91H/V/W	7 J x 17 ⇒ page 101	54	No	
		225/45 R 17 91H/V/W * ⇒ page 90	7 ¹ / ₂ J x 17 ⇒ page 104	51	No	
		225/40 R 18 92Y** ⇒ page 90	7 ¹ / ₂ J x 18 ⇒ page 106	51	No	
		Winter tyres	195/65 R 15 91Q/T/H	6 J x 15 ⇒ page 92	47	
	205/55 R 16 91Q/T/H	6 J x 16 ⇒ page 94	50	Yes	*** Only snow chains with fine links of no more than 8 mm may be used ⇒ Electronic parts catalogue „ETKA - Accessories catalogue“ .	
	205/50 R 17 93Q/T/H	6 J x 17 ⇒ page 100	48.5	Yes*** ⇒ page 90		
	205/55 R 16 91H	6 ¹ / ₂ J x 16 ⇒ page 95	50	No		



Model engine output	Tyres	Tyre size	Wheel rim	Off-set in mm	Snow chains	Remarks
	Modification	205/55 R 16 91V/W	6½ J x 16 ⇒ page 95	50	No	<p>* 225/45 R 17 91H/V/W tyres on 7½ J x 17 rims with an offset of 51 are only possible in combination with sports running gear!</p> <p>** 225/40 R 18 92Y tyres on 7½ J x 18 rims with an offset of 51 are permitted only on vehicles with sports running gear and rear axle camber of -1°45'!</p> <p>*** Only snow chains with fine links of no more than 8 mm may be used ⇒ Electronic parts catalogue „ETKA - Accessories catalogue“ .</p>
		205/50 R 17 93H/V/W	6 J x 17 ⇒ page 100	48.5	Yes*** ⇒ page 90	
		225/45 R 17 91H/V/W	7 J x 17 ⇒ page 101	54	No	
		225/45 R 17 91H/V/W * ⇒ page 91	7½ J x 17 ⇒ page 104	51	No	
		225/40 R 18 92Y** ⇒ page 91	7½ J x 18 ⇒ page 106	51	No	
	Winter tyres	205/55 R 16 91Q/T/H	6 J x 16 ⇒ page 94	50	Yes	
		205/50 R 17 93Q/T/H	6 J x 17 ⇒ page 100	48.5	Yes*** ⇒ page 91	
1.4l 118 kW; 1.8l 118 kW petrol engine	Standard tyres	205/55 R 16 91V	6½ J x 16 ⇒ page 95	50	No	<p>* 225/45 R 17 91V/W tyres on 7½ J x 17 rims with an offset of 51 are permitted only on vehicles with sports running gear!</p> <p>** 225/40 R 18 92Y tyres on 7½ J x 18 rims with an offset of 51 are permitted only on vehicles with sports running gear and rear axle camber of -1°45'!</p>
	Modification	205/50 R 17 93V/W	6 J x 17 ⇒ page 100	48.5	Yes*** ⇒ page 90	
		225/45 R 17 91V/W	7 J x 17 ⇒ page 101	54	No	
		225/45 R 17 91V/W * ⇒ page 91	7½ J x 17 ⇒ page 104	51	No	
		225/40 R 18 92Y** ⇒ page 91	7½ J x 18 ⇒ page 106	51	No	



Model engine output	Tyres	Tyre size	Wheel rim	Off-set in mm	Snow chains	Remarks
	Winter tyres	205/55 R 16 91Q/T/H	6 J x 16 ⇒ page 94	50	Yes	*** Only snow chains with fine links of no more than 8 mm may be used ⇒ Electronic parts catalogue „ETKA - Accessories catalogue“ .
		205/50 R 17 93Q/T/H	6 J x 17 ⇒ page 100	48.5	Yes*** ⇒ page 92	

Tyre pressures are printed on the tyre inflation pressure label, which can be found on the inside of the tank flap and on the driver's B-pillar.

19.2 Wheel allocation for Golf, Golf 4Motion, sales type 5K model year 2009 to model year 2012

Golf, type approval code 1K

Explanation of information on wheels ⇒ [page 49](#)

Torque settings for wheel bolts ⇒ Running gear, axles, steering;
Rep. gr. 44 ; Torque settings for fitting wheels

Pitch circle diameter: 112 mm

Number of wheel bolt holes: 5

19.2.1 6 J x 15

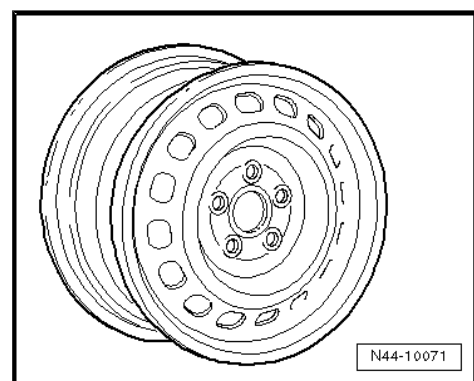


Caution

Observe the allocation of wheels and tyres to the respective engines, which are listed in the overview table ⇒ [page 89](#) .

1K0 601 027 H, 1K0 601 027 AG - Wheel and tyre combination
⇒ [page 89](#)

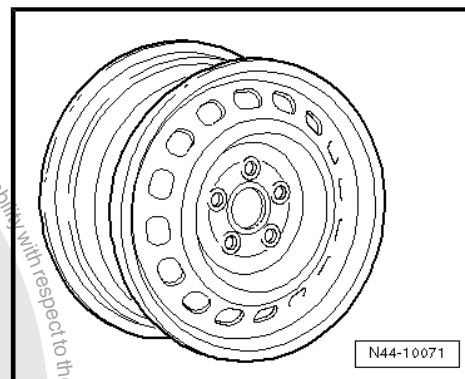
Size:	6 J x 15
Wheel offset in mm:	47
Wheel load in kg:	615





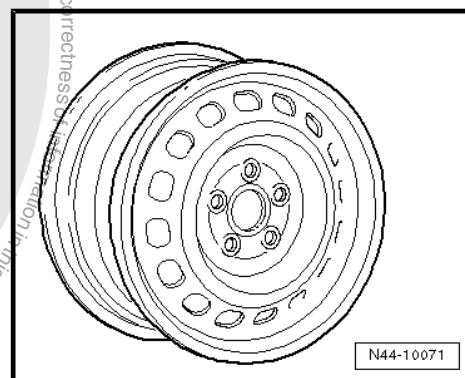
1K0 601 027 C, 1K0 601 027 T - Wheel and tyre combination
 ⇒ [page 89](#)

Size:	6 J x 15
Wheel offset in mm:	47
Wheel load in kg:	615



2K0 601 027 - Wheel and tyre combination ⇒ [page 89](#)

Size:	6 J x 15
Wheel offset in mm:	47
Wheel load in kg:	650

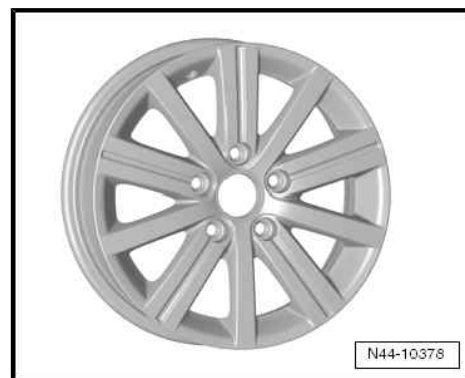


19.2.2 6¹/₂ J x 15

	Caution
<i>Observe the allocation of wheels and tyres to the respective engines, which are listed in the overview table ⇒ page 89.</i>	

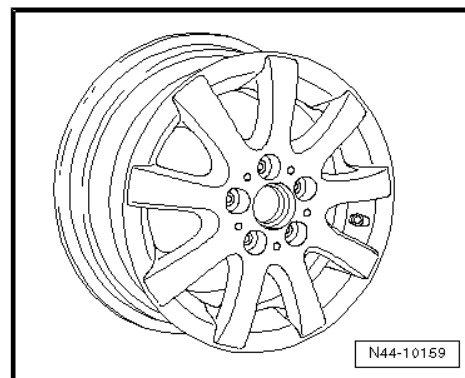
5K0 601 025 J - Wheel and tyre combination ⇒ [page 89](#)

Size:	6 ¹ / ₂ J x 15
Wheel offset in mm:	50
Wheel load in kg:	600



1K0 601,025 A - Wheel and tyre combination ⇒ [page 89](#)

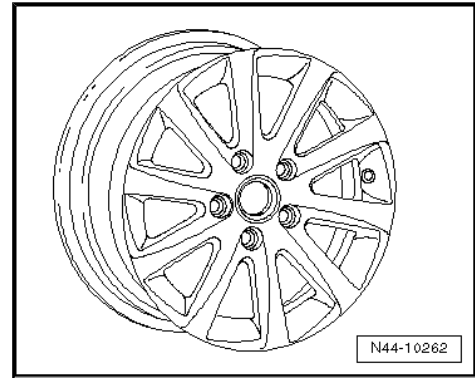
Size:	6 ¹ / ₂ J x 15
Wheel offset in mm:	50
Wheel load in kg:	600





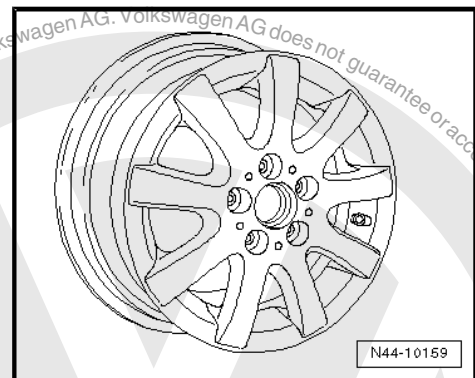
1K0 601 025 AK - Wheel and tyre combination ⇒ page 89

Size:	6 ¹ / ₂ J x 15
Wheel offset in mm:	50
Wheel load in kg:	600



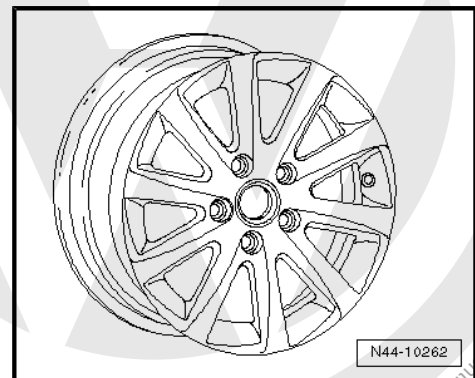
1K0 601 025 AQ - Wheel and tyre combination ⇒ page 89

Size:	6 ¹ / ₂ J x 15
Wheel offset in mm:	50
Wheel load in kg:	600



1K0 601 025 CA - Wheel and tyre combination ⇒ page 89

Size:	6 ¹ / ₂ J x 15
Wheel offset in mm:	50
Wheel load in kg:	600



19.2.3 6 J x 16



Caution

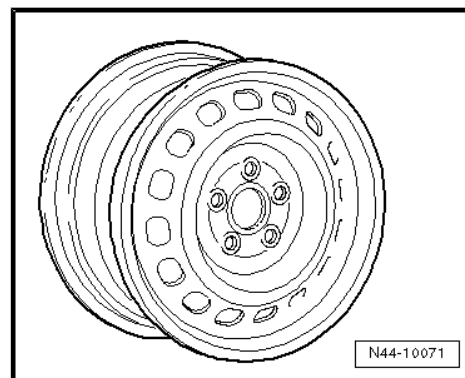
Observe the allocation of wheels and tyres to the respective engines, which are listed in the overview table ⇒ page 89.



Winter wheels

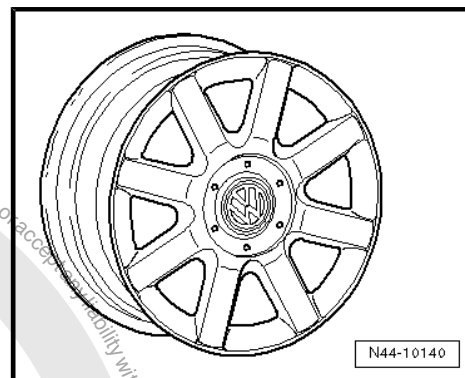
8P0 601 027 - Wheel and tyre combination ⇒ page 90

Size:	6 J x 16
Wheel offset in mm:	50
Wheel load in kg:	600



1K0 601 025 Q - Wheel and tyre combination ⇒ page 90

Size:	6 J x 16 EH2 ⇒ page 49
Wheel offset in mm:	50
Wheel load in kg:	615

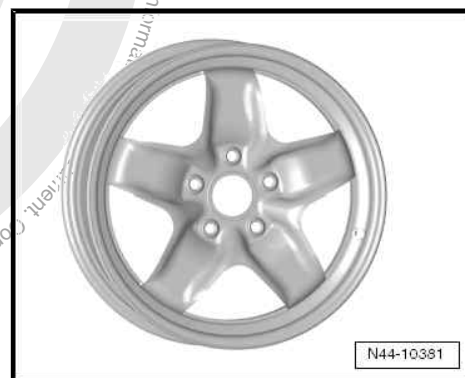


19.2.4 6¹/₂ J x 16

	<p>Caution</p> <p><i>Observe the allocation of wheels and tyres to the respective engines, which are listed in the overview table ⇒ page 89 .</i></p>
--	--

5K0 601 027 - Wheel and tyre combination ⇒ page 89

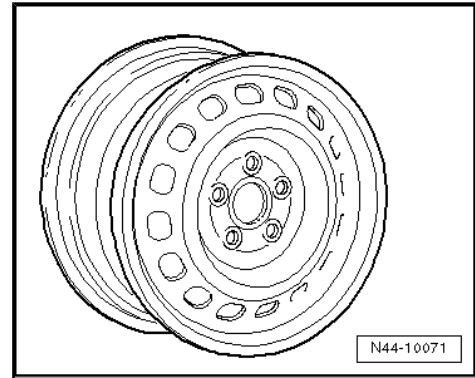
Size:	6 ¹ / ₂ J x 16
Wheel offset in mm:	50
Wheel load in kg:	615





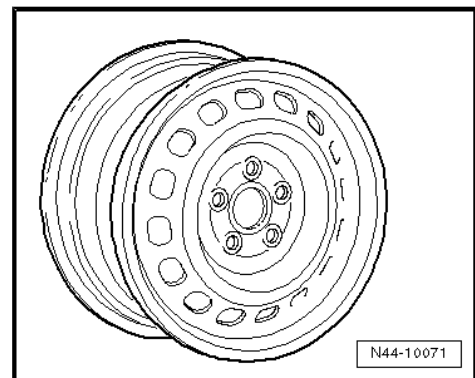
1K0 601 027 A, 1K0 601 027 AH - Wheel and tyre combination
⇒ [page 89](#)

Size:	6 ¹ / ₂ J x 16
Wheel offset in mm:	50
Wheel load in kg:	615



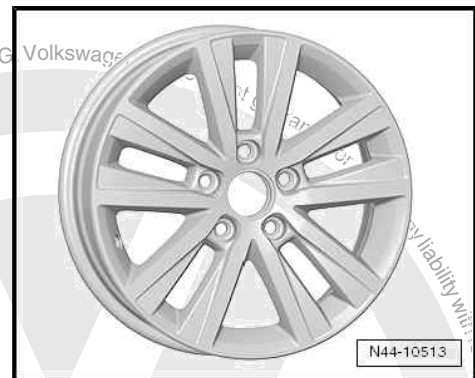
1K0 601 027 J - Wheel and tyre combination ⇒ [page 89](#)

Size:	6 ¹ / ₂ J x 16
Wheel offset in mm:	50
Wheel load in kg:	615



5K0 601 025 AE - Wheel and tyre combination ⇒ [page 89](#)

Size:	6 ¹ / ₂ J x 16
Wheel offset in mm:	50
Wheel load in kg:	615



5K0 601 025 E - Wheel and tyre combination ⇒ [page 89](#)

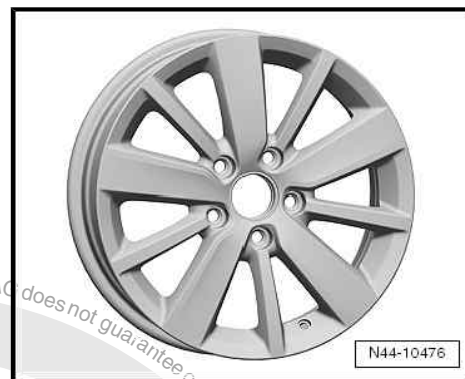
Size:	6 ¹ / ₂ J x 16
Wheel offset in mm:	50
Wheel load in kg:	615





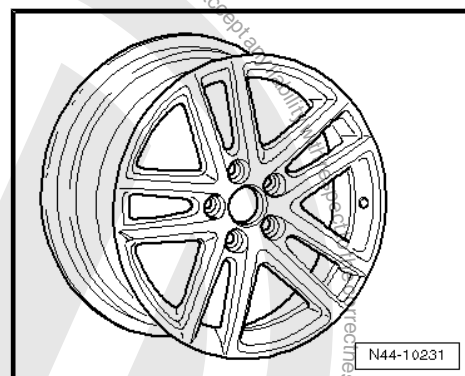
5K0 601 025 S - Wheel and tyre combination ⇒ page 89

Size:	6 ¹ / ₂ J x 16
Wheel offset in mm:	50
Wheel load in kg:	615



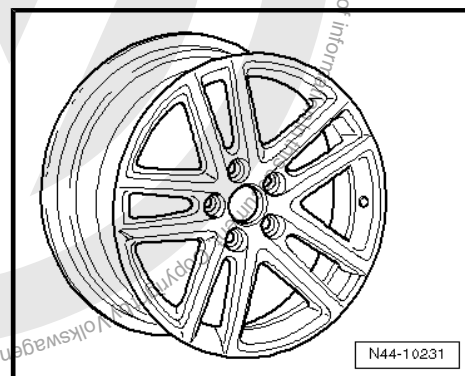
1K0 601 025 BM - Wheel and tyre combination ⇒ page 89

Size:	6 ¹ / ₂ J x 16
Wheel offset in mm:	50
Wheel load in kg:	615



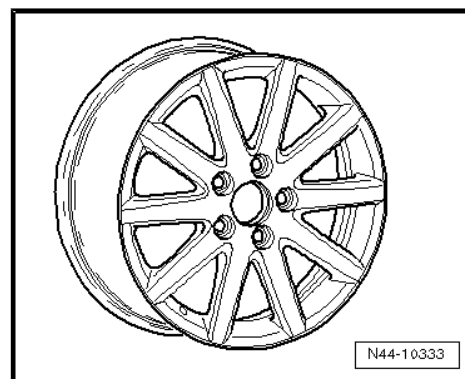
1K0 601 025 AJ - Wheel and tyre combination ⇒ page 89

Size:	6 ¹ / ₂ J x 16
Wheel offset in mm:	50
Wheel load in kg:	615



1K0 601 025 BC - Wheel and tyre combination ⇒ page 89

Size:	6 ¹ / ₂ J x 16
Wheel offset in mm:	50
Wheel load in kg:	615





1K0 601 025 BR - Wheel and tyre combination ⇒ page 89

Size:	6 ¹ / ₂ J x 16
Wheel offset in mm:	50
Wheel load in kg:	615



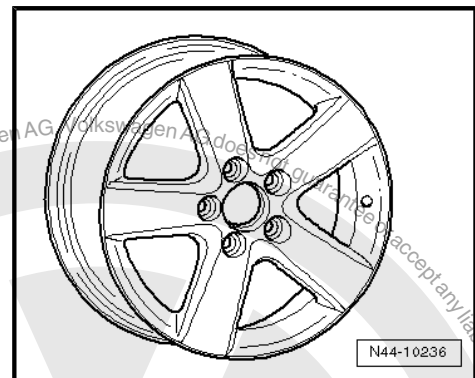
1K0 601 025 BS - Wheel and tyre combination ⇒ page 89

Size:	6 ¹ / ₂ J x 16
Wheel offset in mm:	50
Wheel load in kg:	615



1K0 601 025 CB - Wheel and tyre combination ⇒ page 89

Size:	6 ¹ / ₂ J x 16
Wheel offset in mm:	50
Wheel load in kg:	615



1K0 601 025 CG - Wheel and tyre combination ⇒ page 89

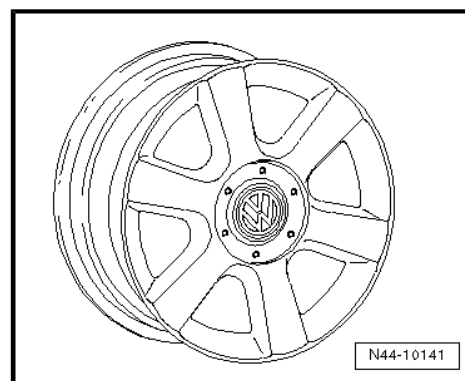
Size:	6 ¹ / ₂ J x 16
Wheel offset in mm:	50
Wheel load in kg:	615





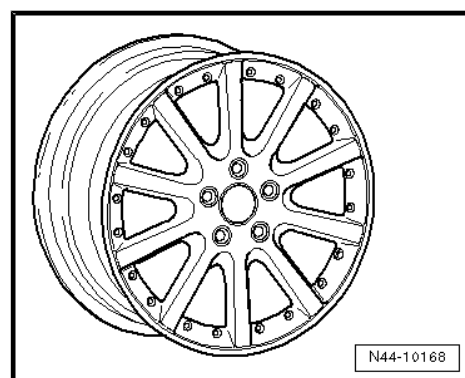
1T0 601 025 C - Wheel and tyre combination ⇒ page 89

Size:	6 ¹ / ₂ J x 16
Wheel offset in mm:	50
Wheel load in kg:	615



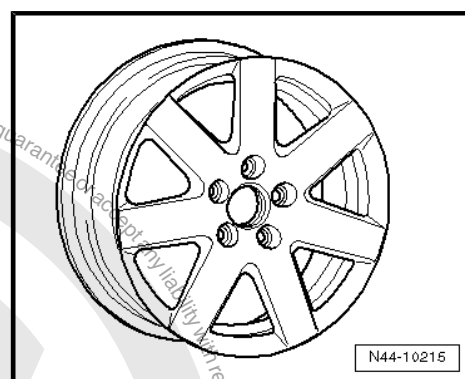
1K0 601 025 F - Wheel and tyre combination ⇒ page 89

Size:	6 ¹ / ₂ J x 16
Wheel offset in mm:	50
Wheel load in kg:	615



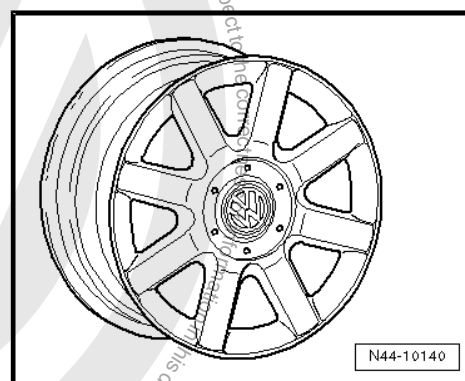
1K0 601 025 P - Wheel and tyre combination ⇒ page 89

Size:	6 ¹ / ₂ J x 16
Wheel offset in mm:	50
Wheel load in kg:	615



1K0 601 025 R - Wheel and tyre combination ⇒ page 89

Size:	6 ¹ / ₂ J x 16
Wheel offset in mm:	50
Wheel load in kg:	615

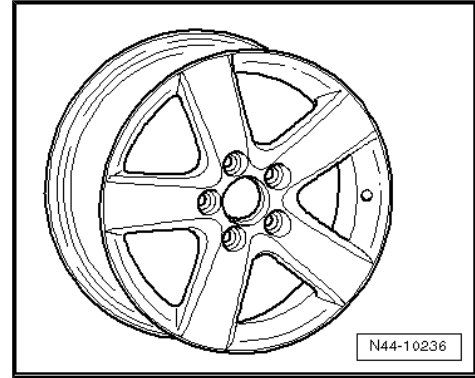


Protected by copyright. Copying for private or commercial purposes in part or in whole, is not permitted unless authorised by Volkswagen AG. Volkswagen AG does not guarantee or accept liability for the accuracy of this document. Copyright by Volkswagen AG.



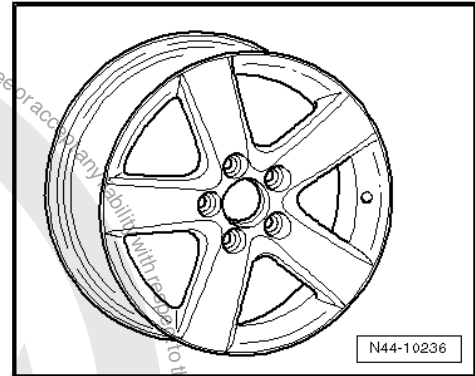
1T0 601 025 G, 1T0 601 025 K - Wheel and tyre combination
⇒ [page 89](#)

Size:	6 ¹ / ₂ J x 16
Wheel offset in mm:	50
Wheel load in kg:	615



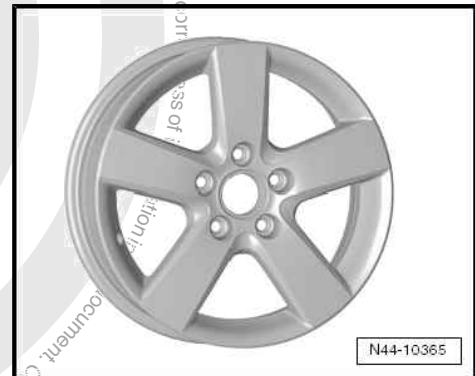
1T0 601 025 M - Wheel and tyre combination ⇒ [page 89](#)

Size:	6 ¹ / ₂ J x 16
Wheel offset in mm:	50
Wheel load in kg:	615



1T0 601 025 R - Wheel and tyre combination ⇒ [page 89](#)

Size:	6 ¹ / ₂ J x 16
Wheel offset in mm:	50
Wheel load in kg:	615



19.2.5 6 J x 17



Caution

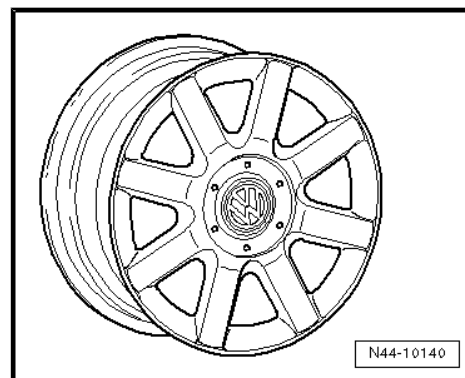
Observe the allocation of wheels and tyres to the respective engines, which are listed in the overview table ⇒ [page 89](#).




Winter wheel

1K0 601 025 N - Wheel and tyre combination ⇒ page 90

Size:	6 J x 17
Wheel offset in mm:	48.5
Wheel load in kg:	615



19.2.6 7 J x 17

 **Caution**
Observe the allocation of wheels and tyres to the respective engines, which are listed in the overview table ⇒ page 89 .

5K0 601 025 D - Wheel and tyre combination ⇒ page 89

Size:	7 J x 17
Wheel offset in mm:	54
Wheel load in kg:	615



5K0 601 025 F - Wheel and tyre combination ⇒ page 89

Size:	7 J x 17
Wheel offset in mm:	54
Wheel load in kg:	615



Protected by copyright. Copying for private or commercial purposes, in part or in whole, is prohibited unless authorised by Volkswagen AG. Volkswagen AG does not guarantee or accept any liability with respect to the correctness of information in this document. Copyright by Volkswagen AG.



5K0 601 025 K - Wheel and tyre combination ⇒ page 89

Size:	7 J x 17
Wheel offset in mm:	54
Wheel load in kg:	615



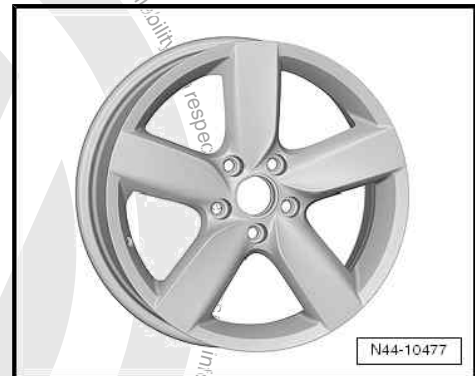
5K0 601 025 Q, 5K0 601 025 R - Wheel and tyre combination ⇒ page 89

Size:	7 J x 17
Wheel offset in mm:	54
Wheel load in kg:	615



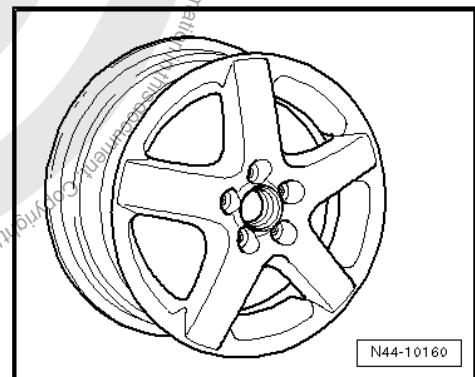
5K0 601 025 AA - Wheel and tyre combination ⇒ page 89

Size:	7 J x 17
Wheel offset in mm:	54
Wheel load in kg:	615



1K0 601 025 B - Wheel and tyre combination ⇒ page 89

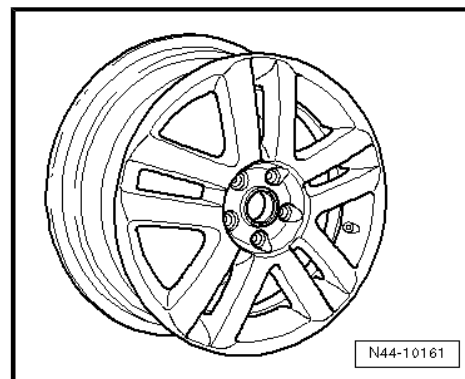
Size:	7 J x 17
Wheel offset in mm:	54
Wheel load in kg:	615





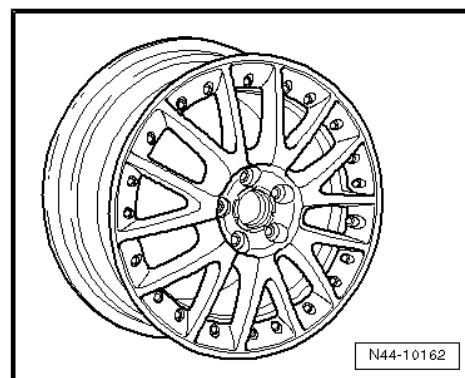
1K0 601,025 C - Wheel and tyre combination ⇒ page 89

Size:	7 J x 17
Wheel offset in mm:	54
Wheel load in kg:	615



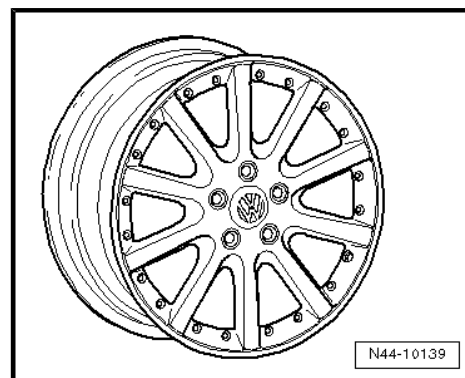
1K0 601 025 J - Wheel and tyre combination ⇒ page 89

Size:	7 J x 17
Wheel offset in mm:	54
Wheel load in kg:	615



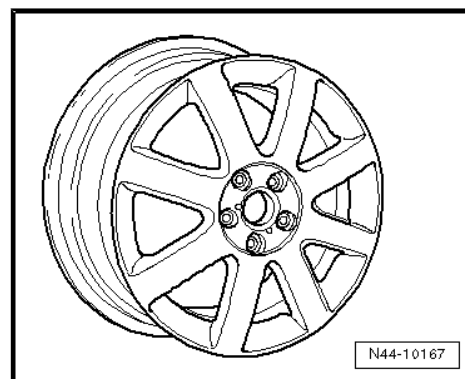
1K0 601 025 K - Wheel and tyre combination ⇒ page 89

Size:	7 J x 17
Wheel offset in mm:	54
Wheel load in kg:	615



1K0 601 025 M - Wheel and tyre combination ⇒ page 89

Size:	7 J x 17
Wheel offset in mm:	54
Wheel load in kg:	615

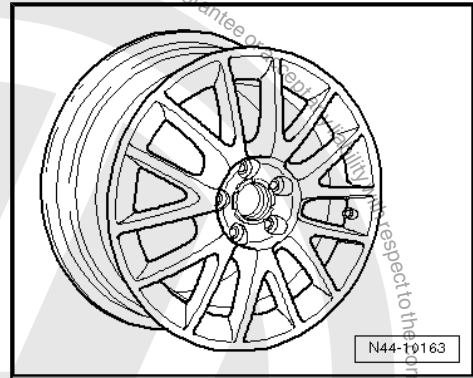


Protected by copyright. Copying for private or commercial purposes, in part or in whole, is not permitted without the express authorisation of Volkswagen AG. Volkswagen AG does not guarantee or accept any liability with respect to the correctness of information in this document. Copyright by Volkswagen AG.



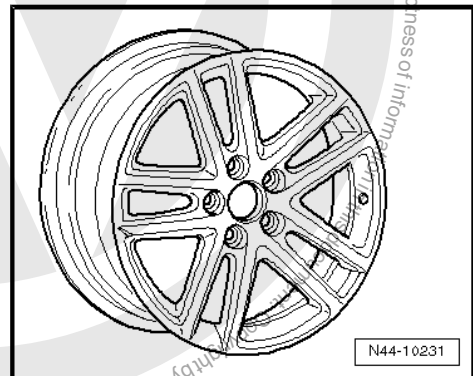
1K0 601 025 T - Wheel and tyre combination ⇒ page 89

Size:	7 J x 17
Wheel offset in mm:	54
Wheel load in kg:	615



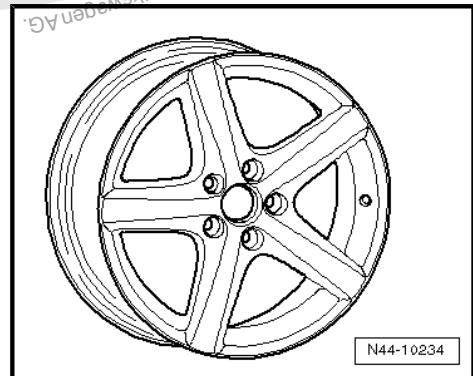
1K0 601 025 AF - Wheel and tyre combination ⇒ page 89

Size:	7 J x 17
Wheel offset in mm:	54
Wheel load in kg:	630



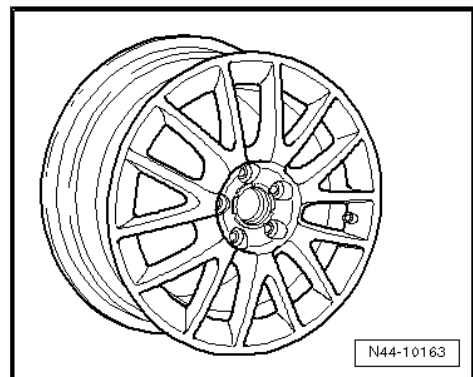
1K0 601 025 AE - Wheel and tyre combination ⇒ page 89

Size:	7 J x 17
Wheel offset in mm:	54
Wheel load in kg:	630



1K0 601 025 AN - Wheel and tyre combination ⇒ page 89

Size:	7 J x 17
Wheel offset in mm:	54
Wheel load in kg:	615



19.2.7 7 1/2 J x 17



Caution

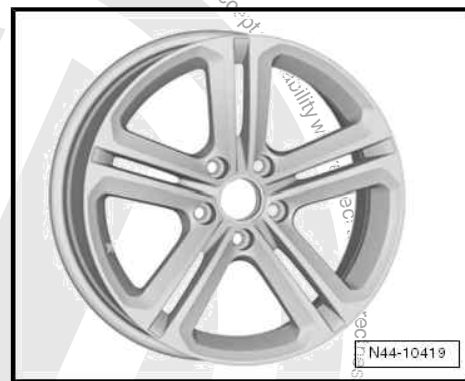
Observe the allocation of wheels and tyres to the respective engines, which are listed in the overview table ⇒ page 89 .



5K0 601 025 N - Wheel and tyre combination ⇒ page 89

Only vehicles with sports running gear

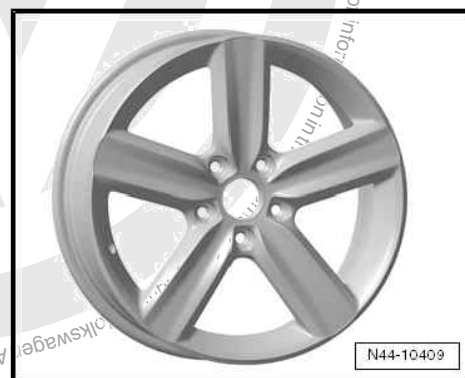
Size:	7 ¹ / ₂ J x 17
Wheel offset in mm:	51
Wheel load in kg:	630



5K0 601 025 G - Wheel and tyre combination ⇒ page 89

Only vehicles with sports running gear

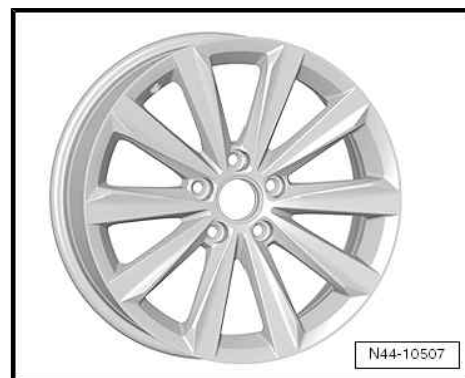
Size:	7 ¹ / ₂ J x 17
Wheel offset in mm:	51
Wheel load in kg:	630



5K0 601 025 AD - Wheel and tyre combination ⇒ page 89

Only vehicles with sports running gear

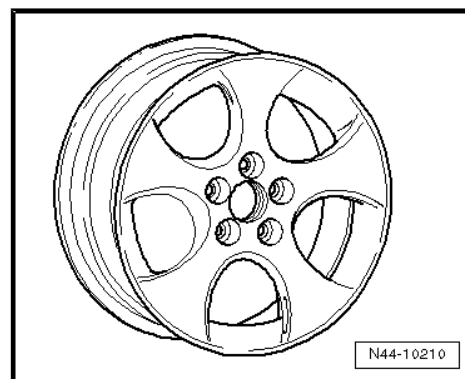
Size:	7 ¹ / ₂ J x 17
Wheel offset in mm:	51
Wheel load in kg:	630



1K0 601 025 BB - Wheel and tyre combination ⇒ page 89

Only vehicles with sports running gear

Size:	7 ¹ / ₂ J x 17
Wheel offset in mm:	51
Wheel load in kg:	615

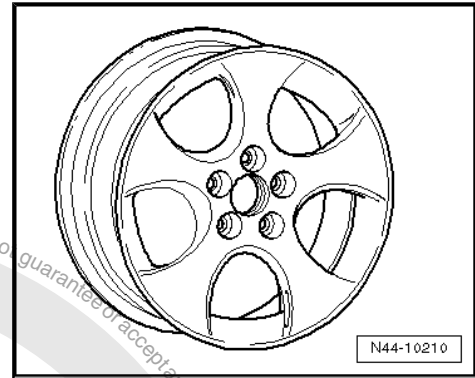




1K0 601 025 AC - Wheel and tyre combination ⇒ page 89

Only vehicles with sports running gear

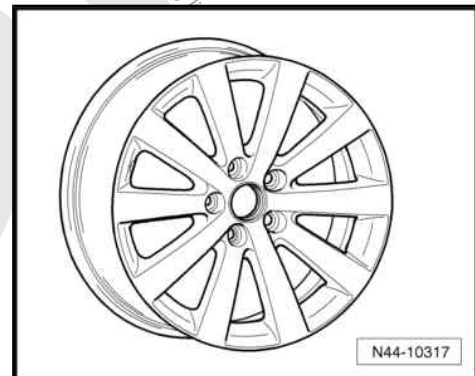
Size:	7 ¹ / ₂ J x 17
Wheel offset in mm:	51
Wheel load in kg:	615



1K0 601 025 BK - Wheel and tyre combination ⇒ page 89

Only vehicles with sports running gear

Size:	7 ¹ / ₂ J x 17
Wheel offset in mm:	51
Wheel load in kg:	615



19.2.8 7¹/₂ J x 18



Caution

Observe the allocation of wheels and tyres to the respective engines, which are listed in the overview table ⇒ page 89 .

5K0 601 025 AC - Wheel and tyre combination ⇒ page 89

Only for vehicles with sports running gear and rear axle camber of -1°45'

Size:	7 ¹ / ₂ J x 18
Wheel offset in mm:	51
Wheel load in kg:	630



5K0 601 025 AF, 5K0 601 025 AG - Wheel and tyre combination ⇒ page 89

Only for vehicles with sports running gear and rear axle camber of -1°45'

Size:	7 ¹ / ₂ J x 18
Wheel offset in mm:	51
Wheel load in kg:	615





5K0 601 025 H - Wheel and tyre combination ⇒ page 89

Only for vehicles with sports running gear and rear axle camber of -1°45'

Size:	7 ¹ / ₂ J x 18
Wheel offset in mm:	51
Wheel load in kg:	630



5K0 601 025 L - Wheel and tyre combination ⇒ page 89

Only for vehicles with sports running gear and rear axle camber of -1°45'

Size:	7 ¹ / ₂ J x 18
Wheel offset in mm:	51
Wheel load in kg:	615



5K0 601 025 P - Wheel and tyre combination ⇒ page 89

Only for vehicles with sports running gear and rear axle camber of -1°45'

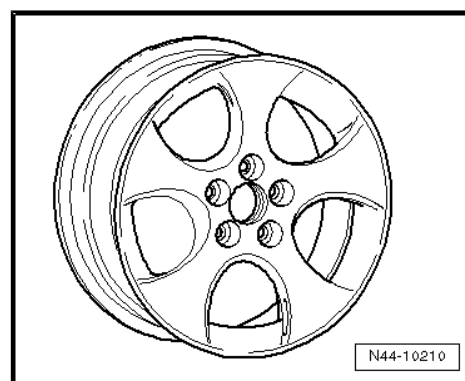
Size:	7 ¹ / ₂ J x 18
Wheel offset in mm:	51
Wheel load in kg:	630



1K0 601 025 BA - Wheel and tyre combination ⇒ page 89

Only for vehicles with sports running gear and rear axle camber of -1°45'

Size:	7 ¹ / ₂ J x 18
Wheel offset in mm:	51
Wheel load in kg:	615

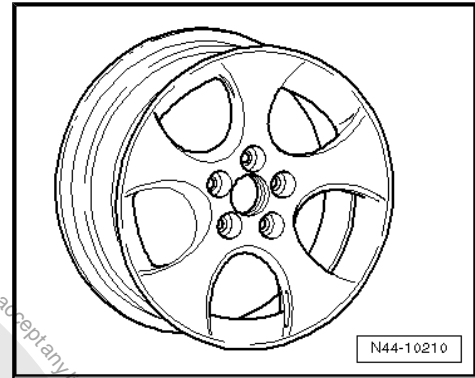




1K0 601 025 AH - Wheel and tyre combination ⇒ page 89

Only for vehicles with sports running gear and rear axle camber of $-1^{\circ}45'$

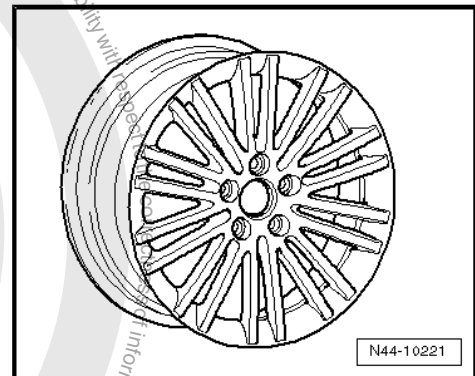
Size:	7 $\frac{1}{2}$ J x 18
Wheel offset in mm:	51
Wheel load in kg:	615



1K0 601 025 AD - Wheel and tyre combination ⇒ page 89

Only for vehicles with sports running gear and rear axle camber of $-1^{\circ}45'$

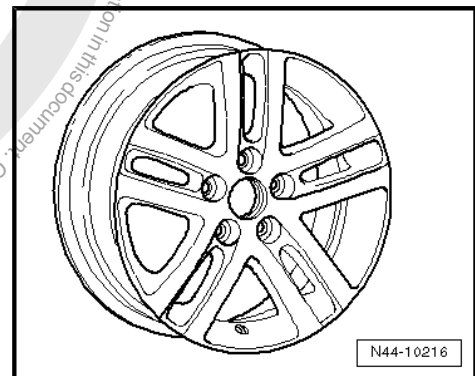
Size:	7 $\frac{1}{2}$ J x 18
Wheel offset in mm:	51
Wheel load in kg:	630



1K0 601 025 AG - Wheel and tyre combination ⇒ page 89

Only for vehicles with sports running gear and rear axle camber of $-1^{\circ}45'$

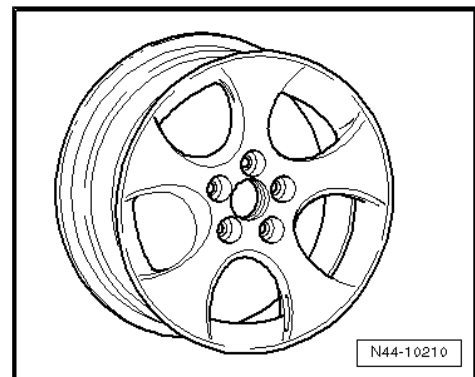
Size:	7 $\frac{1}{2}$ J x 18
Wheel offset in mm:	51
Wheel load in kg:	630



1K0 601 025 AM - Wheel and tyre combination ⇒ page 89

Only for vehicles with sports running gear and rear axle camber of $-1^{\circ}45'$

Size:	7 $\frac{1}{2}$ J x 18
Wheel offset in mm:	51
Wheel load in kg:	615

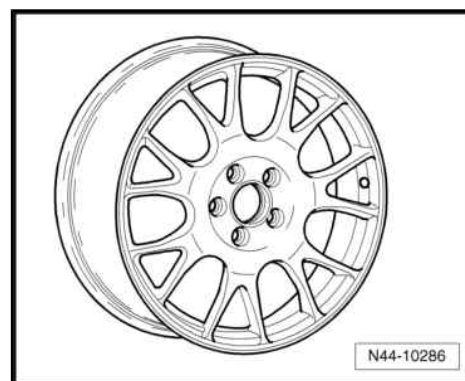




1K0 601 025 AT, 1K0 601 025 CC - Wheel and tyre combination
 ⇒ [page 89](#)

Only for vehicles with sports running gear and rear axle camber of -1°45'

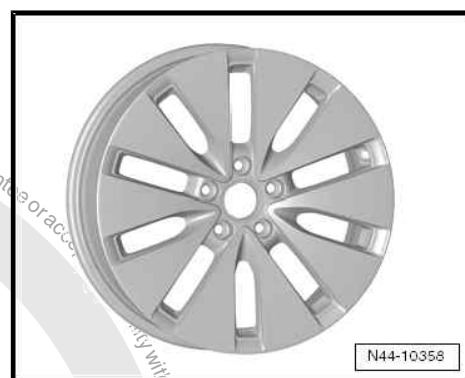
Size:	7 ¹ / ₂ J x 18
Wheel offset in mm:	51
Wheel load in kg:	615



1K0 601 025 BE - Wheel and tyre combination ⇒ [page 89](#)

Only for vehicles with sports running gear and rear axle camber of -1°45'

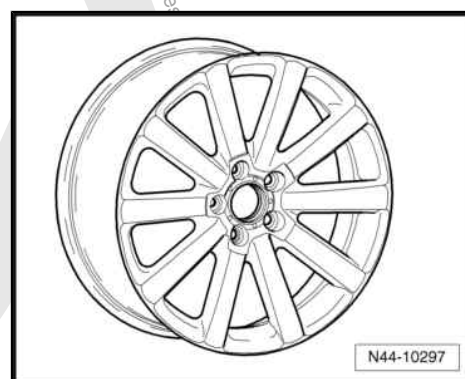
Size:	7 ¹ / ₂ J x 18
Wheel offset in mm:	51
Wheel load in kg:	615



1K0 601 025 BL - Wheel and tyre combination ⇒ [page 89](#)

Only for vehicles with sports running gear and rear axle camber of -1°45'

Size:	7 ¹ / ₂ J x 18
Wheel offset in mm:	51
Wheel load in kg:	615





20 Golf BlueMotion from model year 2009

General

Volkswagen vehicles are built according to the latest findings in safety engineering. To keep it that way, we recommend the use of only genuine Volkswagen spare parts. You can recognise this by the VW Audi logo and by the part number. It has been established that these parts are reliable, safe and suitable.

Despite constant appraisal of the market, we cannot assess other products on these points, even when in isolated cases they have been passed by official inspectors or have been granted official approval. Therefore, we cannot, of course, assume any liability if these products are installed.



WARNING

The products from Volkswagen genuine parts and Volkswagen accessories may differ in fitting requirements, torque specifications and so on.

Always follow the respective fitting and operating instructions.

The wheel and tyre combinations or changes listed in the vehicle tables refer exclusively to Volkswagen Genuine wheels. Approval of wheel and tyre combinations or a change to wheels from the accessories trade is not possible with the certificate statement attached here.



WARNING

The fitting instructions and torque specifications for wheels from Volkswagen accessories may differ from those intended for wheels from Volkswagen genuine parts.

Therefore, always observe the torque settings for the wheel bolts as well as the respective fitting and operating instructions.

20.1 Golf BlueMotion, sales type 5K model year 2009 to model year 2012



Caution

The Golf BlueMotion will be listed according to the sales types and not by the type approval model codes.

The type approval model code and the associated type approval number are listed as follows.

Golf BlueMotion, type approval code 1K

Appendix to certificate statement 8107901214

The certificate statement can be found on the Volkswagen ServiceNet under Accessories/Tyres, Wheels and Tyres, Wheels and Tyres Guide.



Type Approval No.: e1*2001/116*0242*26 to
e1*2001/116*0242*38

Overview

Model engine output	Tyres	Tyre size	Wheel rim	Off-set in mm	Snow chains	Remarks
1.2l 77 kW petrol engine 1.6l 77 kW TDI; 2.0 l 81 kW TDI; diesel engine	Standard tyres	195/65 R 15 91T	6 J x 15 ⇒ page 112	47	Yes	General information on: ◆ Winter tyres ⇒ page 14 ◆ Snow chains ⇒ page 17
	Modification	195/65 R 15 91H/V	6 J x 15 ⇒ page 112	47	Yes	Tyre makes recommended by Volkswagen: ◆ Summer tyres ⇒ page 466 ◆ Winter tyres ⇒ page 494
		195/65 R 15 91T/H/V	6 1/2 J x 15 ⇒ page 113	50	Yes	
		205/60 R 15 91T/H/V	6 J x 15 ⇒ page 112	47	Yes	
	205/55 R 16 91T/H/V/W	6 1/2 J x 16 ⇒ page 114	50	No		
Winter tyres	195/65 R 15 91Q/T/H	6 J x 15 ⇒ page 112	47	Yes		
2.0 l 100 kW TDI; 2.0 l 103 kW TDI; diesel engine	Standard tyres	195/65 R 15 91H	6 J x 15 ⇒ page 112	47	Yes	
	Modification	195/65 R 15 91V	6 J x 15 ⇒ page 112	47	Yes	
		195/65 R 15 91H/V	6 1/2 J x 15 ⇒ page 113	50	Yes	
		205/60 R 15 91H/V	6 J x 15 ⇒ page 112	47	Yes	
		205/55 R 16 91H/V/W	6 1/2 J x 16 ⇒ page 114	50	No	
	Winter tyres	195/65 R 15 91Q/T/H	6 J x 15 ⇒ page 112	47	Yes	

Tyre pressures are printed on the tyre inflation pressure label, which can be found on the inside of the tank flap and on the driver's B-pillar.



20.2 Wheel allocation for Golf BlueMotion, sales type 5K model year 2009 to model year 2012

Golf BlueMotion, type approval code 1K

Explanation of information on wheels ⇒ [page 49](#)

Torque settings for wheel bolts ⇒ Running gear, axles, steering;
Rep. gr. 44 ; Torque settings for fitting wheels

Pitch circle diameter: 112 mm
Number of wheel bolt holes: 5

20.2.1 6 J x 15

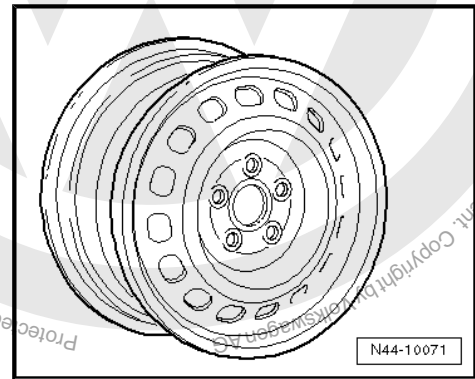


Caution

Observe the allocation of wheels and tyres to the respective engines, which are listed in the overview table ⇒ [page 111](#).

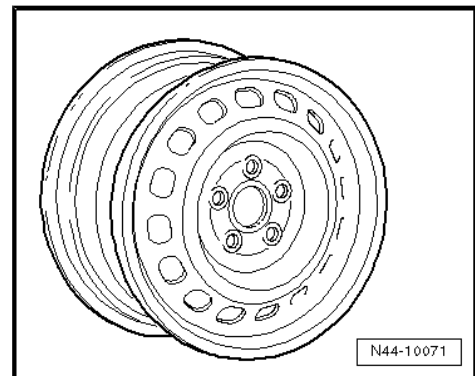
1K0 601 027 H, 1K0 601 027 AG - Wheel and tyre combination ⇒ [page 111](#)

Size:	6 J x 15
Wheel offset in mm:	47
Wheel load in kg:	615



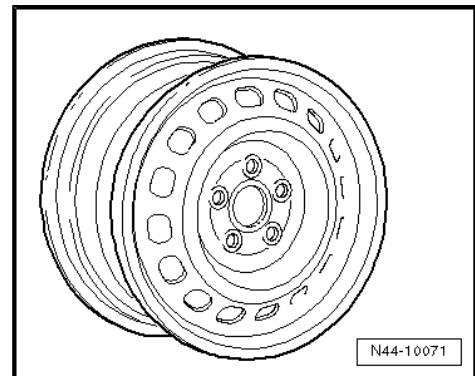
1K0 601 027 C, 1K0 601 027 T - Wheel and tyre combination ⇒ [page 111](#)

Size:	6 J x 15
Wheel offset in mm:	47
Wheel load in kg:	615



2K0 601 027 - Wheel and tyre combination ⇒ [page 111](#)

Size:	6 J x 15
Wheel offset in mm:	47
Wheel load in kg:	650





20.2.2 6¹/₂ J x 15

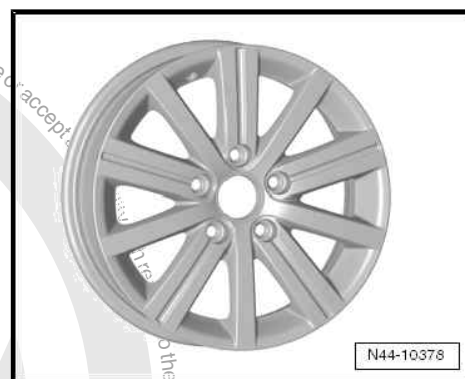


Caution

Observe the allocation of wheels and tyres to the respective engines, which are listed in the overview table ⇒ [page 111](#) .

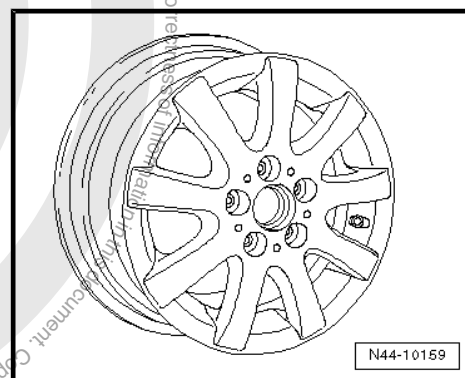
5K0 601 025 J - Wheel and tyre combination ⇒ [page 111](#)

Size:	6 ¹ / ₂ J x 15
Wheel offset in mm:	50
Wheel load in kg:	600



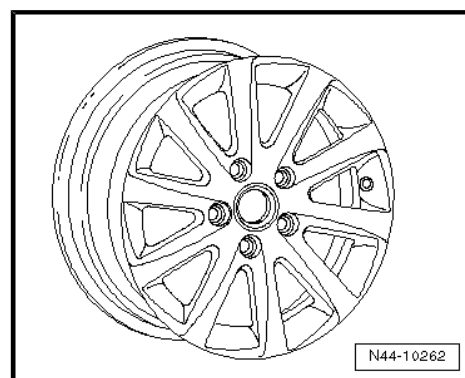
1K0 601 025 A - Wheel and tyre combination ⇒ [page 111](#)

Size:	6 ¹ / ₂ J x 15
Wheel offset in mm:	50
Wheel load in kg:	600



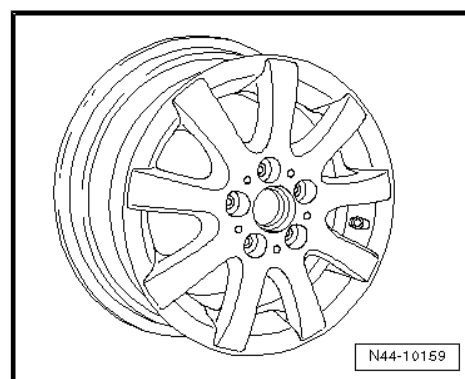
1K0 601 025 AK - Wheel and tyre combination ⇒ [page 111](#)

Size:	6 ¹ / ₂ J x 15
Wheel offset in mm:	50
Wheel load in kg:	600



1K0 601 025 AQ - Wheel and tyre combination ⇒ [page 111](#)

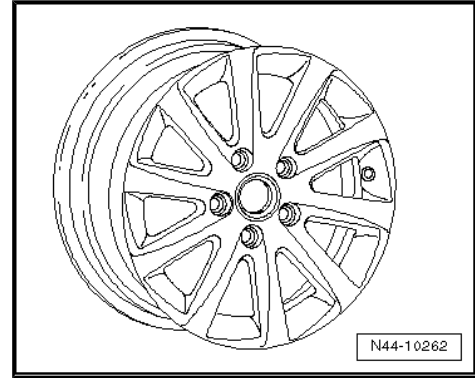
Size:	6 ¹ / ₂ J x 15
Wheel offset in mm:	50
Wheel load in kg:	600






1K0 601 025 CA - Wheel and tyre combination ⇒ page 111

Size:	6 ¹ / ₂ J x 15
Wheel offset in mm:	50
Wheel load in kg:	600



20.2.3 6¹/₂ J x 16

 **Caution**
Observe the allocation of wheels and tyres to the respective engines, which are listed in the overview table ⇒ page 111 .

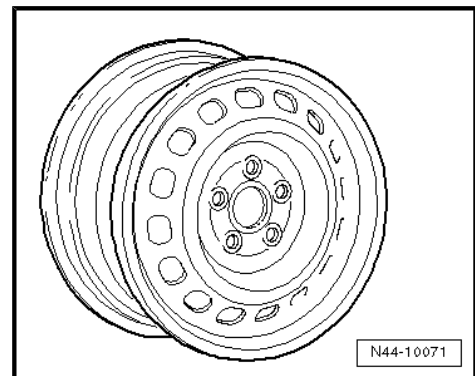
5K0 601 027 - Wheel and tyre combination ⇒ page 111

Size:	6 ¹ / ₂ J x 16
Wheel offset in mm:	50
Wheel load in kg:	615



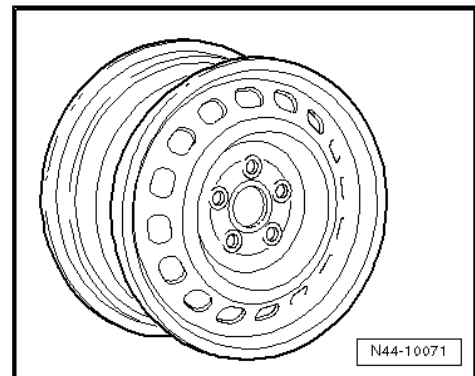
1K0 601 027 A, 1K0 601 027 AH - Wheel and tyre combination ⇒ page 111

Size:	6 ¹ / ₂ J x 16
Wheel offset in mm:	50
Wheel load in kg:	615



1K0 601 027 J - Wheel and tyre combination ⇒ page 111

Size:	6 ¹ / ₂ J x 16
Wheel offset in mm:	50
Wheel load in kg:	615





5K0 601 025 AE - Wheel and tyre combination ⇒ [page 111](#)

Size:	6 ¹ / ₂ J x 16
Wheel offset in mm:	50
Wheel load in kg:	615



5K0 601 025 E - Wheel and tyre combination ⇒ [page 111](#)

Size:	6 ¹ / ₂ J x 16
Wheel offset in mm:	50
Wheel load in kg:	615



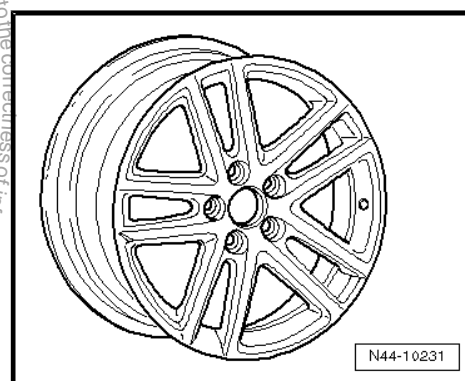
5K0 601 025 S - Wheel and tyre combination ⇒ [page 111](#)

Size:	6 ¹ / ₂ J x 16
Wheel offset in mm:	50
Wheel load in kg:	615



1K0 601 025 AJ - Wheel and tyre combination ⇒ [page 111](#)

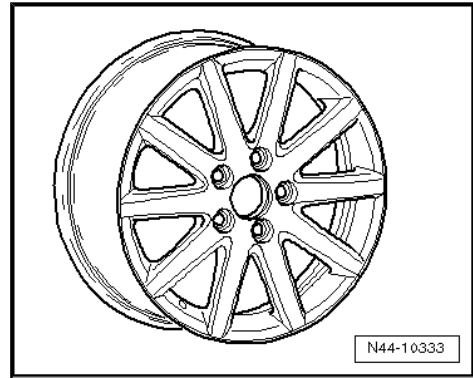
Size:	6 ¹ / ₂ J x 16
Wheel offset in mm:	50
Wheel load in kg:	615





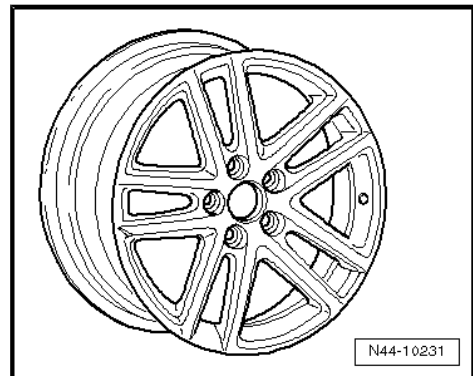
1K0 601 025 BC - Wheel and tyre combination ⇒ page 111

Size:	6 ¹ / ₂ J x 16
Wheel offset in mm:	50
Wheel load in kg:	615



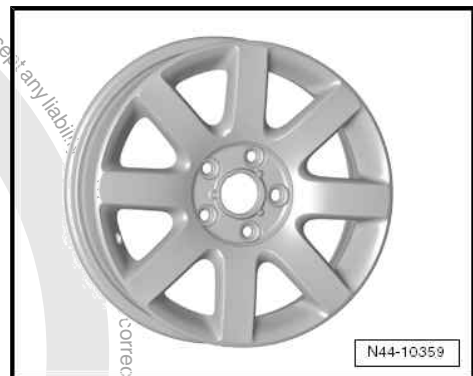
1K0 601 025 BM - Wheel and tyre combination ⇒ page 111

Size:	6 ¹ / ₂ J x 16
Wheel offset in mm:	50
Wheel load in kg:	615



1K0 601 025 BR - Wheel and tyre combination ⇒ page 111

Size:	6 ¹ / ₂ J x 16
Wheel offset in mm:	50
Wheel load in kg:	615



1K0 601 025 BS - Wheel and tyre combination ⇒ page 111

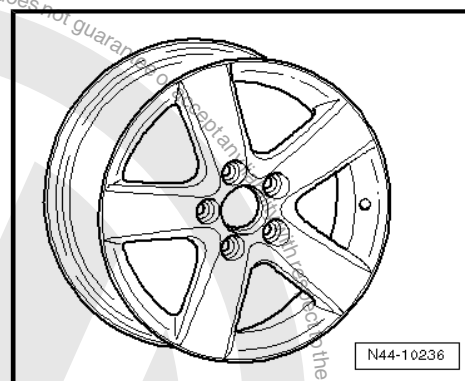
Size:	6 ¹ / ₂ J x 16
Wheel offset in mm:	50
Wheel load in kg:	615





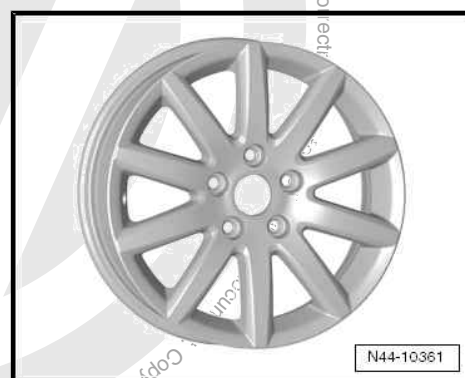
1K0 601 025 CB - Wheel and tyre combination ⇒ [page 111](#)

Size:	6 ¹ / ₂ J x 16
Wheel offset in mm:	50
Wheel load in kg:	615



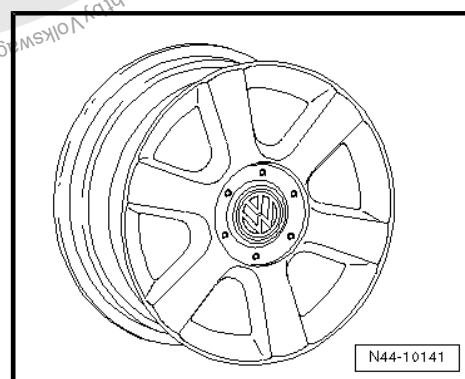
1K0 601 025 CG - Wheel and tyre combination ⇒ [page 111](#)

Size:	6 ¹ / ₂ J x 16
Wheel offset in mm:	50
Wheel load in kg:	615



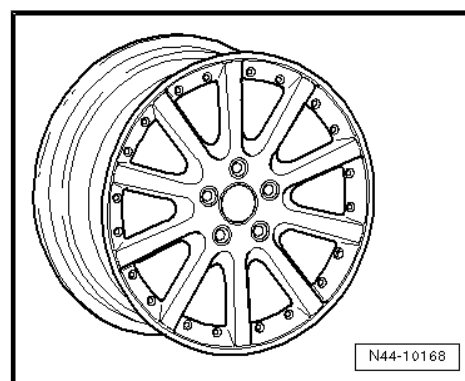
1T0 601 025 C - Wheel and tyre combination ⇒ [page 111](#)

Size:	6 ¹ / ₂ J x 16
Wheel offset in mm:	50
Wheel load in kg:	615



1K0 601 025 F - Wheel and tyre combination ⇒ [page 111](#)

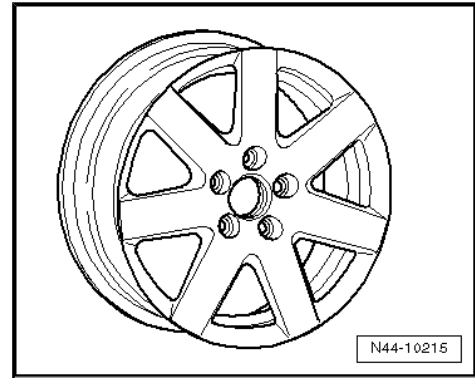
Size:	6 ¹ / ₂ J x 16
Wheel offset in mm:	50
Wheel load in kg:	615





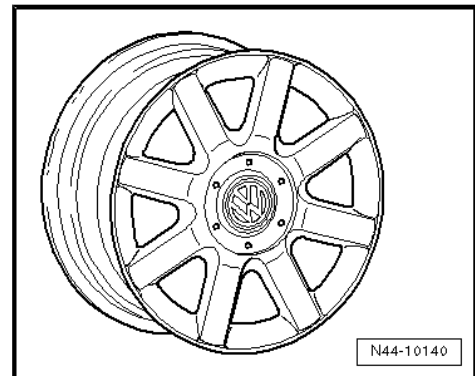
1K0 601 025 P - Wheel and tyre combination ⇒ page 111

Size:	6 ¹ / ₂ J x 16
Wheel offset in mm:	50
Wheel load in kg:	615



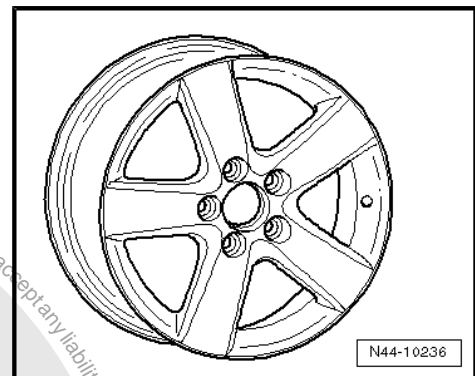
1K0 601 025 R - Wheel and tyre combination ⇒ page 111

Size:	6 ¹ / ₂ J x 16
Wheel offset in mm:	50
Wheel load in kg:	615



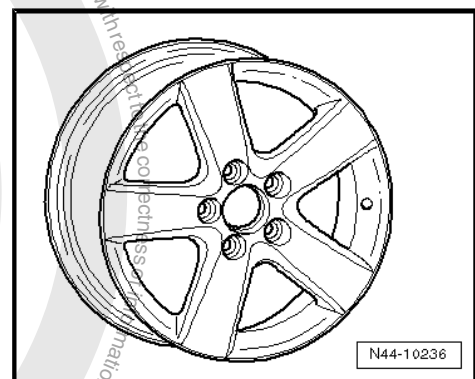
1T0 601 025 G, 1T0 601 025 K - Wheel and tyre combination ⇒ page 111

Size:	6 ¹ / ₂ J x 16
Wheel offset in mm:	50
Wheel load in kg:	615



1T0 601 025 M - Wheel and tyre combination ⇒ page 111

Size:	6 ¹ / ₂ J x 16
Wheel offset in mm:	50
Wheel load in kg:	615





1T0 601 025 R - Wheel and tyre combination ⇒ [page 111](#)

Size:	6 ¹ / ₂ J x 16
Wheel offset in mm:	50
Wheel load in kg:	615





21 Golf GTD from model year 2010

General

Volkswagen vehicles are built according to the latest findings in safety engineering. To keep it that way, we recommend the use of only genuine Volkswagen spare parts. You can recognise this by the VW Audi logo and by the part number. It has been established that these parts are reliable, safe and suitable.

Despite constant appraisal of the market, we cannot assess other products on these points, even when in isolated cases they have been passed by official inspectors or have been granted official approval. Therefore, we cannot, of course, assume any liability if these products are installed.



WARNING

The products from Volkswagen genuine parts and Volkswagen accessories may differ in fitting requirements, torque specifications and so on.

Always follow the respective fitting and operating instructions.

The wheel and tyre combinations or changes listed in the vehicle tables refer exclusively to Volkswagen Genuine wheels. Approval of wheel and tyre combinations or a change to wheels from the accessories trade is not possible with the certificate statement attached here.



WARNING

The fitting instructions and torque specifications for wheels from Volkswagen accessories may differ from those intended for wheels from Volkswagen genuine parts.

Therefore, always observe the torque settings for the wheel bolts as well as the respective fitting and operating instructions.

21.1 Golf GTD, sales type 5K, model year 2010 to model year 2012



Caution

The Golf GTD will be listed according to the sales types and not by the type approval model codes.

The type approval model code and the associated type approval number are listed as follows.

Golf GTD, type approval code 1K

Appendix to certificate statement 8107901214

The certificate statement can be found on the Volkswagen ServiceNet under Accessories/Tyres, Wheels and Tyres, Wheels and Tyres Guide.



Type Approval No.: e1*2001/116*0242*29 to
e1*2001/116*0242*38

Overview

Model engine output	Tyres	Tyre size	Wheel rim	Off-set in mm	Snow chains	Remarks	
2.0l 125 kW TDI; diesel engine	Standard tyres	225/45 R 17 91V	7 J x 17 ⇒ page 128	54	No	General information on: ◆ Winter tyres ⇒ page 14 ◆ Snow chains ⇒ page 17	
	Modification	205/55 R 16 91V	6 ¹ / ₂ J x 16 ⇒ page 122	50	No		Tyre makes recommended by Volkswagen: ◆ Summer tyres ⇒ page 467 ◆ Winter tyres ⇒ page 494
		205/50 R 17 93V	6 J x 17 ⇒ page 127	48.5	Yes*** ⇒ page 121		
		225/45 R 17 91V* ⇒ page 121	7 ¹ / ₂ J x 17 ⇒ page 131	51	No	* 225/45 R 17 91V tyres on 7 ¹ / ₂ J x 17 wheels with offset 51 are permitted only on vehicles with sports running gear!	
		225/40 R 18 92Y** ⇒ page 121	7 ¹ / ₂ J x 18 ⇒ page 133	51	No	** 225/40 R 18 92Y tyres on 7 ¹ / ₂ J x 18 rims with an offset of 51 are permitted only on vehicles with sports running gear and rear axle camber of -1°45'!	
	Winter tyres	205/55 R 16 91Q/T/H	6 J x 16 ⇒ page 122	50	Yes	*** Only snow chains with fine links of no more than 8 mm may be used ⇒ Electronic parts catalogue „ETKA - Accessories catalogue“ .	
		205/50 R 17 93Q/T/H	6 J x 17 ⇒ page 127	48.5	Yes*** ⇒ page 121		

Tyre pressures are printed on the tyre inflation pressure label, which can be found on the inside of the tank flap and on the driver's B-pillar.



21.2 Wheel allocation for Golf GTD, type 5K model year 2010 to model year 2012

Golf GTD, type approval code 1K

Explanation of information on wheels ⇒ [page 49](#)

Torque settings for wheel bolts ⇒ Running gear, axles, steering;
Rep. gr. 44 ; Torque settings for fitting wheels

Pitch circle diameter: 112 mm
Number of wheel bolt holes: 5

21.2.1 6 J x 16



Caution

Observe the allocation of wheels and tyres to the respective engines, which are listed in the overview table ⇒ [page 121](#) .

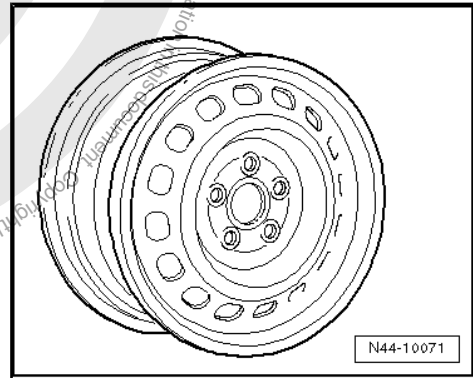
Winter wheels

8P0 601 027 - Wheel and tyre combination ⇒ [page 121](#)

Size:	6 J x 16
Wheel offset in mm:	50
Wheel load in kg:	600

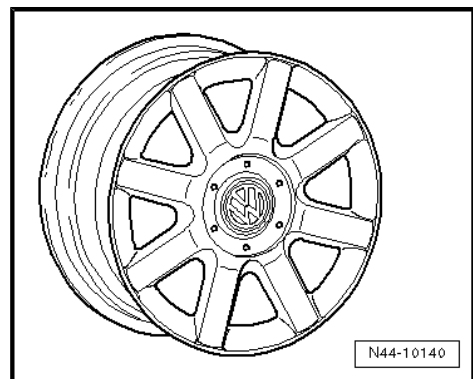
Use the following wheel bolt caps for wheel bolts:

- ◆ 1K0.601.173 (4 per wheel)
- ◆ 1K0.601.173.A (1 per wheel)



1K0 601 025 Q - Wheel and tyre combination ⇒ [page 121](#)

Size:	6 J x 16 EH2 ⇒ page 49
Wheel offset in mm:	50
Wheel load in kg:	615



21.2.2 6 1/2 J x 16



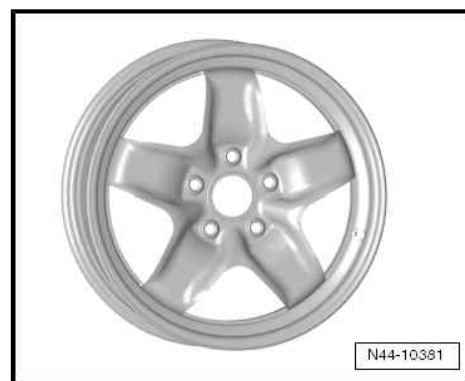
Caution

Observe the allocation of wheels and tyres to the respective engines, which are listed in the overview table ⇒ [page 121](#) .



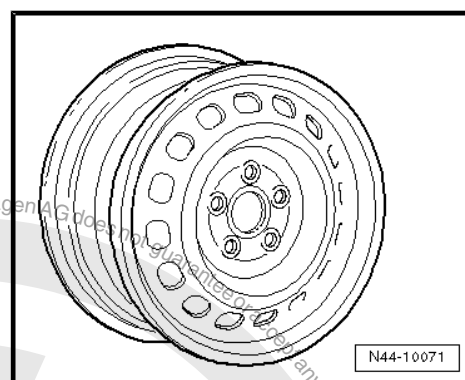
5K0 601 027 - Wheel and tyre combination ⇒ page 121

Size:	6 ¹ / ₂ J x 16
Wheel offset in mm:	50
Wheel load in kg:	615



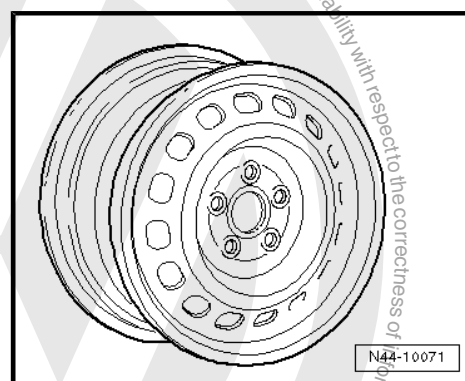
1K0 601 027 A, 1K0 601 027 AH - Wheel and tyre combination ⇒ page 121

Size:	6 ¹ / ₂ J x 16
Wheel offset in mm:	50
Wheel load in kg:	615



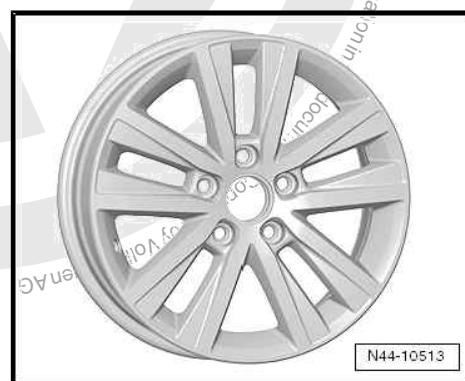
1K0 601 027 J - Wheel and tyre combination ⇒ page 121

Size:	6 ¹ / ₂ J x 16
Wheel offset in mm:	50
Wheel load in kg:	615



5K0 601 025 AE - Wheel and tyre combination ⇒ page 121

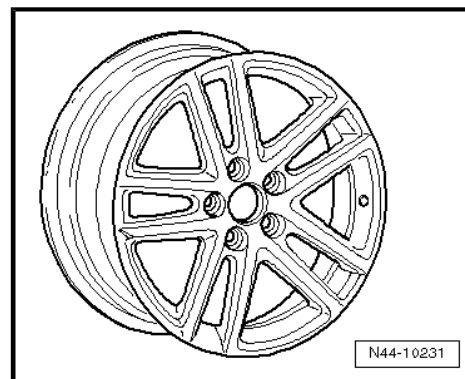
Size:	6 ¹ / ₂ J x 16
Wheel offset in mm:	50
Wheel load in kg:	615





1K0 601 025 BM - Wheel and tyre combination ⇒ page 121

Size:	6 ¹ / ₂ J x 16
Wheel offset in mm:	50
Wheel load in kg:	615



1K0 601 025 BR - Wheel and tyre combination ⇒ page 121

Size:	6 ¹ / ₂ J x 16
Wheel offset in mm:	50
Wheel load in kg:	615



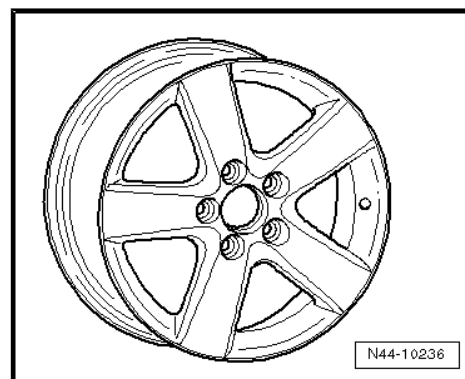
1K0 601 025 BS - Wheel and tyre combination ⇒ page 121

Size:	6 ¹ / ₂ J x 16
Wheel offset in mm:	50
Wheel load in kg:	615



1K0 601 025 CB - Wheel and tyre combination ⇒ page 121

Size:	6 ¹ / ₂ J x 16
Wheel offset in mm:	50
Wheel load in kg:	615

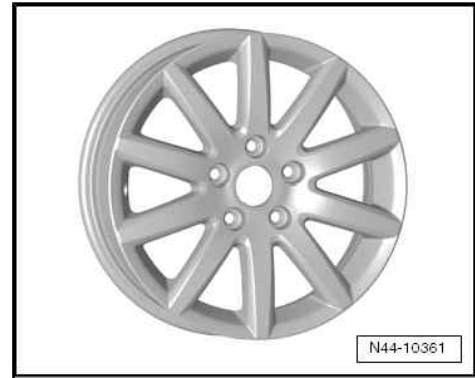


Protected by copyright. Copying for private or commercial purposes, in part or in whole, is not permitted unless authorised by Volkswagen AG. Volkswagen AG does not guarantee or accept any liability with respect to the correctness of information in this document. Copyright by Volkswagen AG.



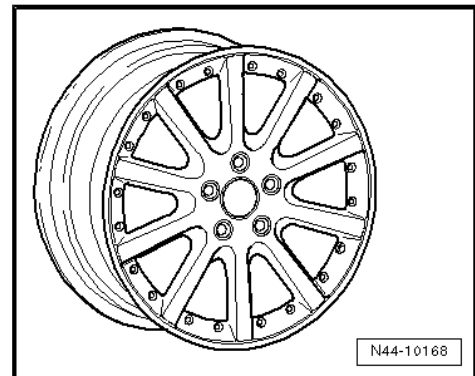
1K0 601 025 CG - Wheel and tyre combination ⇒ page 121

Size:	6 ¹ / ₂ J x 16
Wheel offset in mm:	50
Wheel load in kg:	615



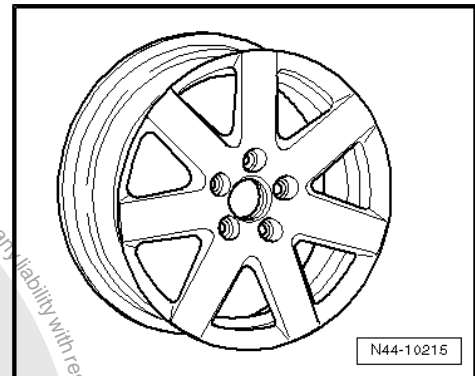
1K0 601 025 F - Wheel and tyre combination ⇒ page 121

Size:	6 ¹ / ₂ J x 16
Wheel offset in mm:	50
Wheel load in kg:	615



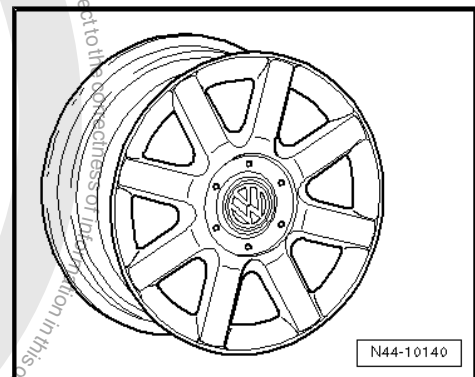
1K0 601 025 P - Wheel and tyre combination ⇒ page 121

Size:	6 ¹ / ₂ J x 16
Wheel offset in mm:	50
Wheel load in kg:	615



1K0 601 025 R - Wheel and tyre combination ⇒ page 121

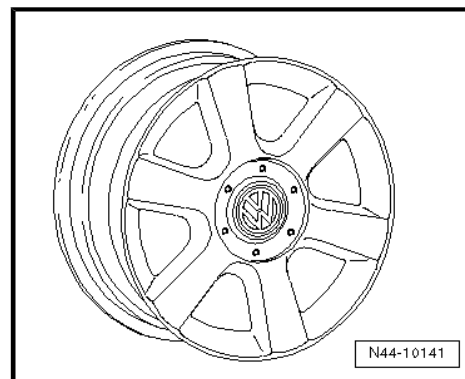
Size:	6 ¹ / ₂ J x 16
Wheel offset in mm:	50
Wheel load in kg:	615





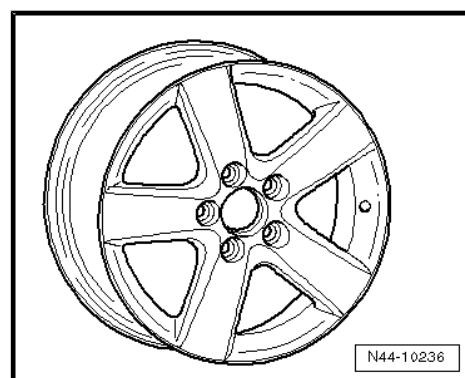
1T0 601 025 C - Wheel and tyre combination ⇒ page 121

Size:	6 ¹ / ₂ J x 16
Wheel offset in mm:	50
Wheel load in kg:	615



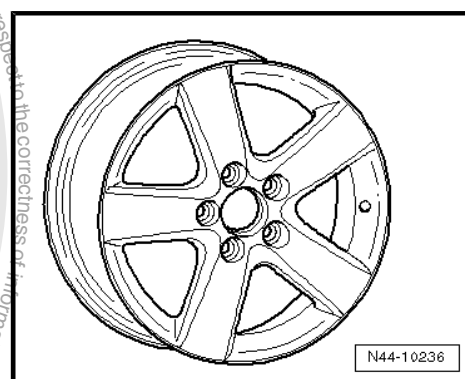
1T0 601 025 G, 1T0 601 025 K - Wheel and tyre combination ⇒ page 121

Size:	6 ¹ / ₂ J x 16
Wheel offset in mm:	50
Wheel load in kg:	615



1T0 601 025 M - Wheel and tyre combination ⇒ page 121

Size:	6 ¹ / ₂ J x 16
Wheel offset in mm:	50
Wheel load in kg:	615



1T0 601 025 R - Wheel and tyre combination ⇒ page 121

Size:	6 ¹ / ₂ J x 16
Wheel offset in mm:	50
Wheel load in kg:	615



21.2.3 6 J x 17

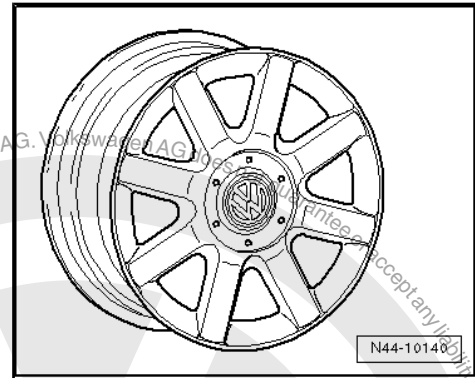
	<p>Caution</p> <p><i>Observe the allocation of wheels and tyres to the respective engines, which are listed in the overview table ⇒ page 121 .</i></p>
--	---



Winter wheel

1K0 601 025 N - Wheel and tyre combination ⇒ [page 121](#)

Size:	6 J x 17
Wheel offset in mm:	48.5
Wheel load in kg:	615



21.2.4 7 J x 17

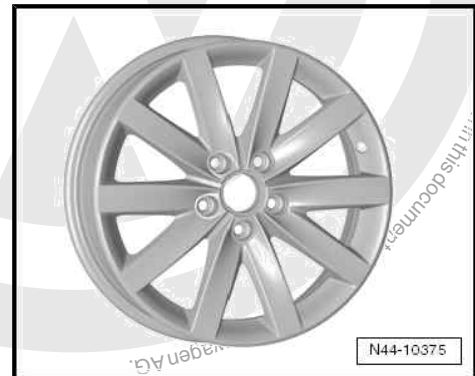


Caution

Observe the allocation of wheels and tyres to the respective engines, which are listed in the overview table ⇒ [page 121](#).

5K0 601 025 D - Wheel and tyre combination ⇒ [page 121](#)

Size:	7 J x 17
Wheel offset in mm:	54
Wheel load in kg:	615



5K0 601 025 F - Wheel and tyre combination ⇒ [page 121](#)

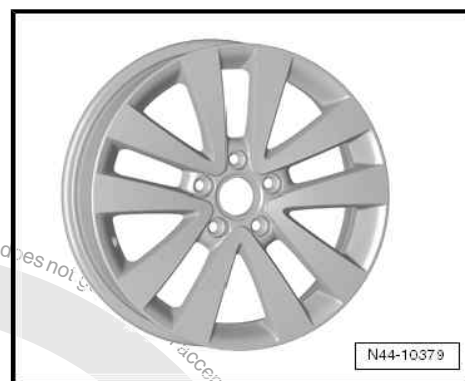
Size:	7 J x 17
Wheel offset in mm:	54
Wheel load in kg:	615





5K0 601 025 K - Wheel and tyre combination ⇒ page 121

Size:	7 J x 17
Wheel offset in mm:	54
Wheel load in kg:	615



5K0 601 025 Q, 5K0 601 025 R - Wheel and tyre combination ⇒ page 121

Size:	7 J x 17
Wheel offset in mm:	54
Wheel load in kg:	615



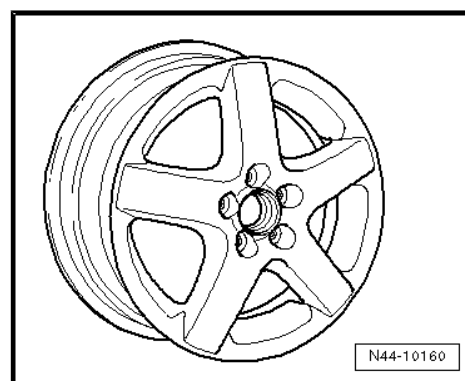
5K0 601 025 AA - Wheel and tyre combination ⇒ page 121

Size:	7 J x 17
Wheel offset in mm:	54
Wheel load in kg:	615



1K0 601 025 B - Wheel and tyre combination ⇒ page 121

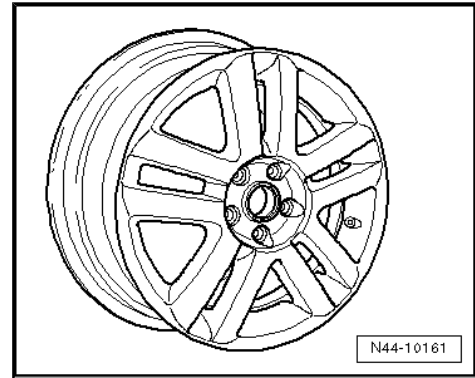
Size:	7 J x 17
Wheel offset in mm:	54
Wheel load in kg:	615





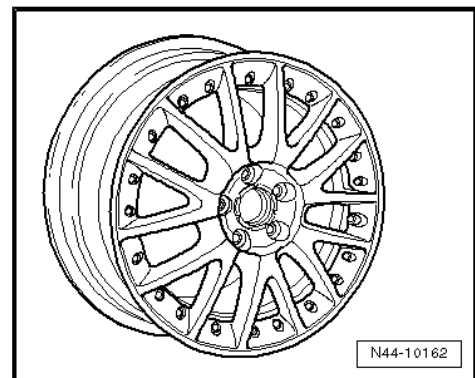
1K0 601,025 C - Wheel and tyre combination ⇒ [page 121](#)

Size:	7 J x 17
Wheel offset in mm:	54
Wheel load in kg:	615



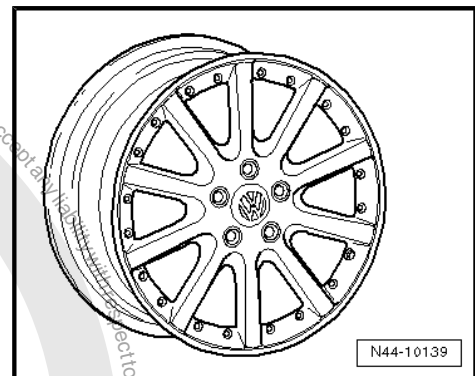
1K0 601 025 J - Wheel and tyre combination ⇒ [page 121](#)

Size:	7 J x 17
Wheel offset in mm:	54
Wheel load in kg:	615



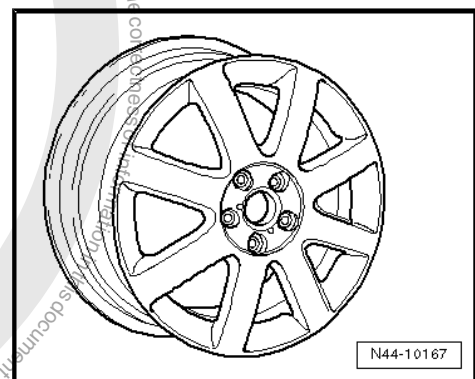
1K0 601 025 K - Wheel and tyre combination ⇒ [page 121](#)

Size:	7 J x 17
Wheel offset in mm:	54
Wheel load in kg:	615



1K0 601 025 M - Wheel and tyre combination ⇒ [page 121](#)

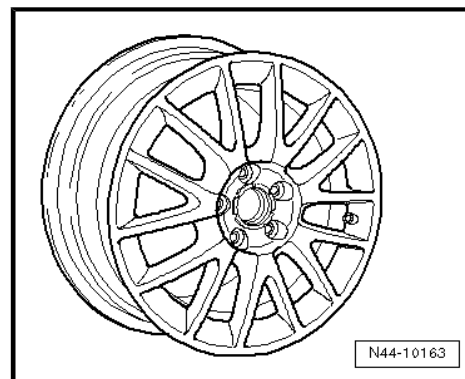
Size:	7 J x 17
Wheel offset in mm:	54
Wheel load in kg:	615





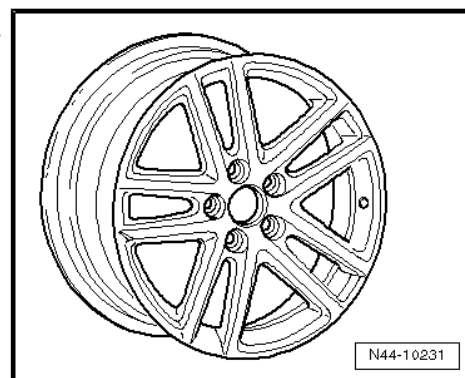
1K0 601 025 T - Wheel and tyre combination ⇒ page 121

Size:	7 J x 17
Wheel offset in mm:	54
Wheel load in kg:	615



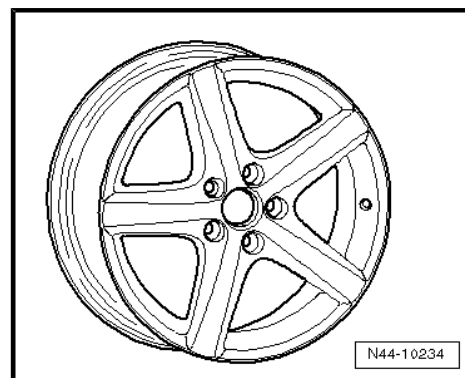
1K0 601 025 AF - Wheel and tyre combination ⇒ page 121

Size:	7 J x 17
Wheel offset in mm:	54
Wheel load in kg:	630



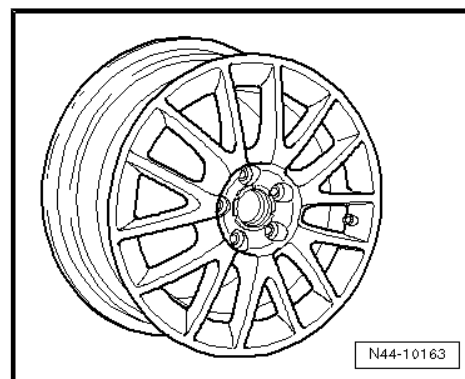
1K0 601 025 AE - Wheel and tyre combination ⇒ page 121

Size:	7 J x 17
Wheel offset in mm:	54
Wheel load in kg:	630



1K0 601 025 AN - Wheel and tyre combination ⇒ page 121

Size:	7 J x 17
Wheel offset in mm:	54
Wheel load in kg:	615



21.2.5 7 1/2 J x 17



Caution

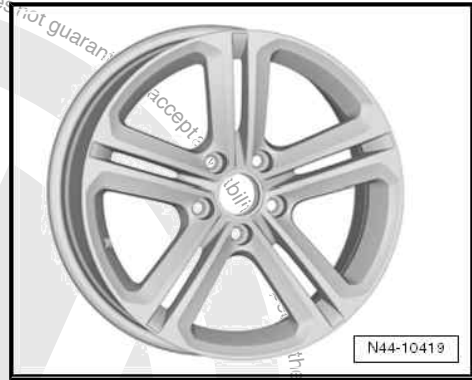
Observe the allocation of wheels and tyres to the respective engines, which are listed in the overview table ⇒ page 121 .



5K0 601 025 N - Wheel and tyre combination ⇒ [page 121](#)

Only vehicles with sports running gear

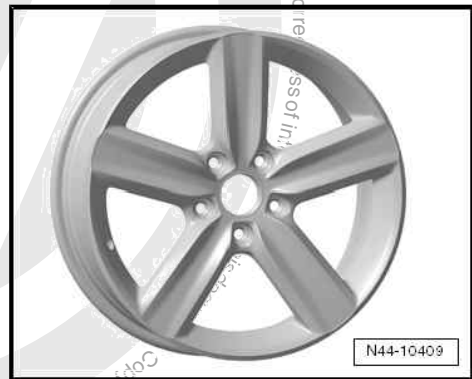
Size:	7 ¹ / ₂ J x 17
Wheel offset in mm:	51
Wheel load in kg:	630



5K0 601 025 G - Wheel and tyre combination ⇒ [page 121](#)

Only vehicles with sports running gear

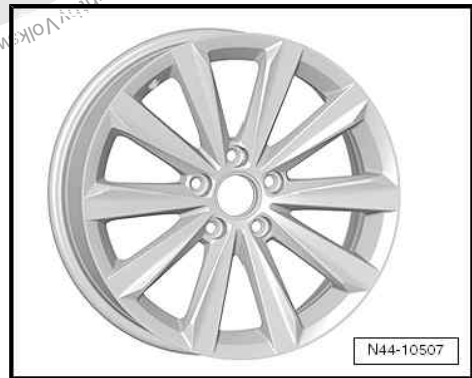
Size:	7 ¹ / ₂ J x 17
Wheel offset in mm:	51
Wheel load in kg:	630



5K0 601 025 AD - Wheel and tyre combination ⇒ [page 121](#)

Only vehicles with sports running gear

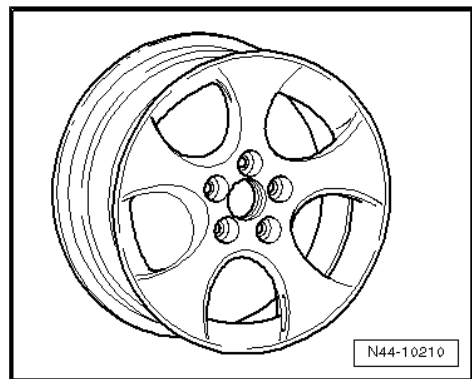
Size:	7 ¹ / ₂ J x 17
Wheel offset in mm:	51
Wheel load in kg:	630



1K0 601 025 AC - Wheel and tyre combination ⇒ [page 121](#)

Only vehicles with sports running gear

Size:	7 ¹ / ₂ J x 17
Wheel offset in mm:	51
Wheel load in kg:	615

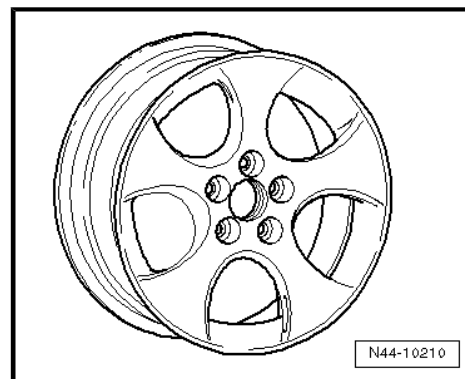




1K0 601 025 BB - Wheel and tyre combination ⇒ page 121

Only vehicles with sports running gear

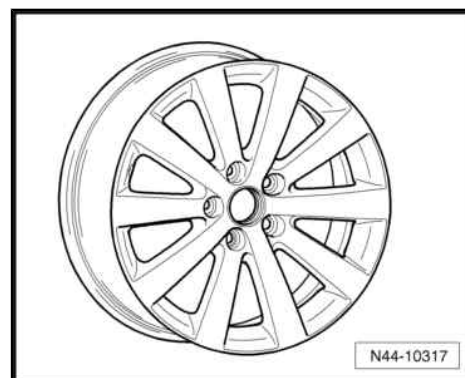
Size:	7 ¹ / ₂ J x 17
Wheel offset in mm:	51
Wheel load in kg:	615



1K0 601 025 BK - Wheel and tyre combination ⇒ page 121

Only vehicles with sports running gear

Size:	7 ¹ / ₂ J x 17
Wheel offset in mm:	51
Wheel load in kg:	615



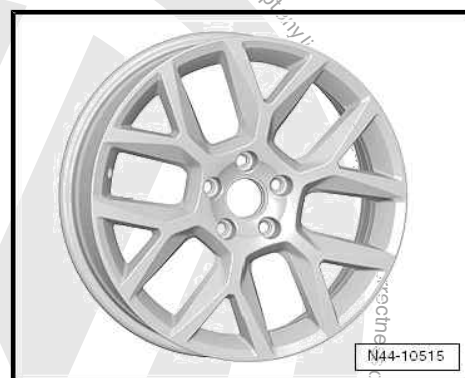
21.2.6 7¹/₂ J x 18

	Caution
<i>Observe the allocation of wheels and tyres to the respective engines, which are listed in the overview table ⇒ page 121 .</i>	

5K0 601 025 AF, 5K0 601 025 AG - Wheel and tyre combination ⇒ page 121

Only for vehicles with sports running gear and rear axle camber of -1°45'

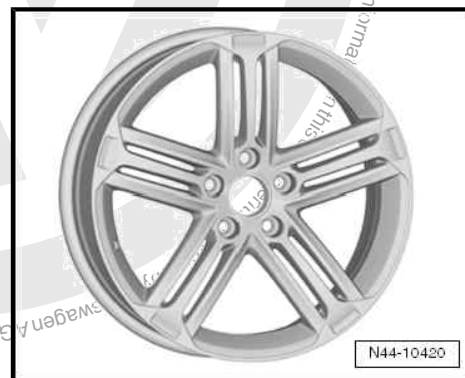
Size:	7 ¹ / ₂ J x 18
Wheel offset in mm:	51
Wheel load in kg:	615



5K0 601 025 H - Wheel and tyre combination ⇒ page 121

Only for vehicles with sports running gear and rear axle camber of -1°45'

Size:	7 ¹ / ₂ J x 18
Wheel offset in mm:	51
Wheel load in kg:	630

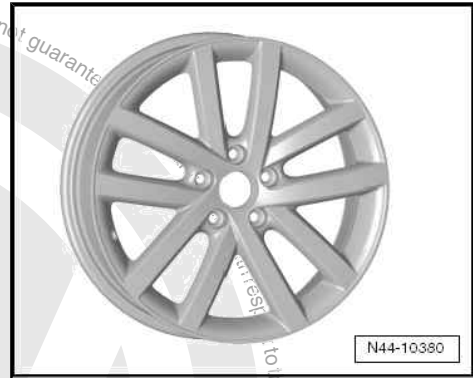




5K0 601 025 L - Wheel and tyre combination ⇒ page 121

Only for vehicles with sports running gear and rear axle camber of $-1^{\circ}45'$

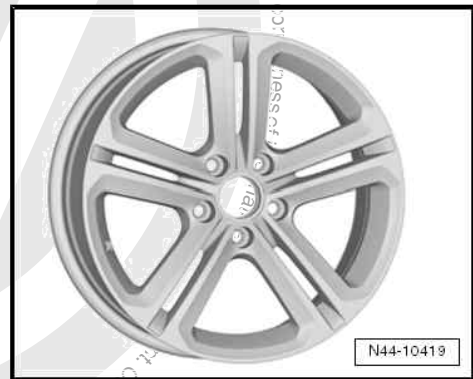
Size:	7 $\frac{1}{2}$ J x 18
Wheel offset in mm:	51
Wheel load in kg:	615



5K0 601 025 P - Wheel and tyre combination ⇒ page 121

Only for vehicles with sports running gear and rear axle camber of $-1^{\circ}45'$

Size:	7 $\frac{1}{2}$ J x 18
Wheel offset in mm:	51
Wheel load in kg:	630



5K0 601 025 AC - Wheel and tyre combination ⇒ page 121

Only for vehicles with sports running gear and rear axle camber of $-1^{\circ}45'$

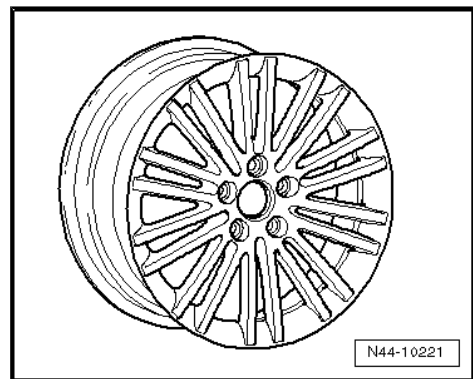
Size:	7 $\frac{1}{2}$ J x 18
Wheel offset in mm:	51
Wheel load in kg:	630



1K0 601 025 AD - Wheel and tyre combination ⇒ page 121

Only for vehicles with sports running gear and rear axle camber of $-1^{\circ}45'$

Size:	7 $\frac{1}{2}$ J x 18
Wheel offset in mm:	51
Wheel load in kg:	630

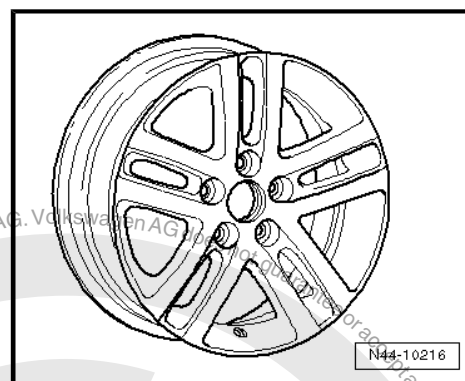




1K0 601 025 AG - Wheel and tyre combination ⇒ [page 121](#)

Only for vehicles with sports running gear and rear axle camber of -1°45'

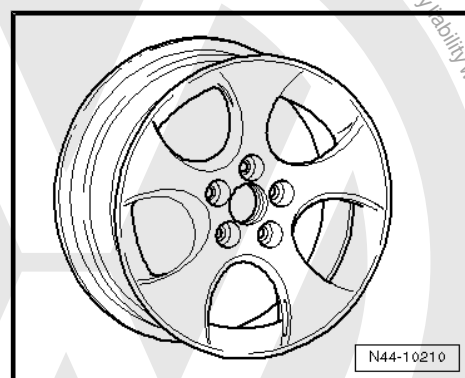
Size:	7 ¹ / ₂ J x 18
Wheel offset in mm:	51
Wheel load in kg:	630



1K0 601 025 AH - Wheel and tyre combination ⇒ [page 121](#)

Only for vehicles with sports running gear and rear axle camber of -1°45'

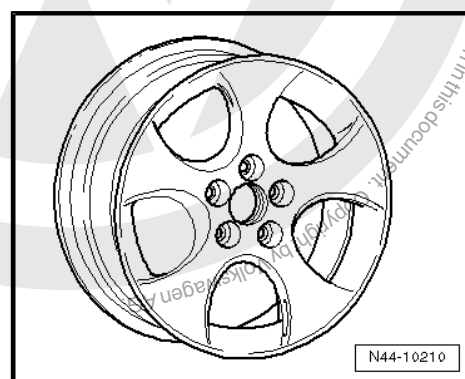
Size:	7 ¹ / ₂ J x 18
Wheel offset in mm:	51
Wheel load in kg:	615



1K0 601 025 AM - Wheel and tyre combination ⇒ [page 121](#)

Only for vehicles with sports running gear and rear axle camber of -1°45'

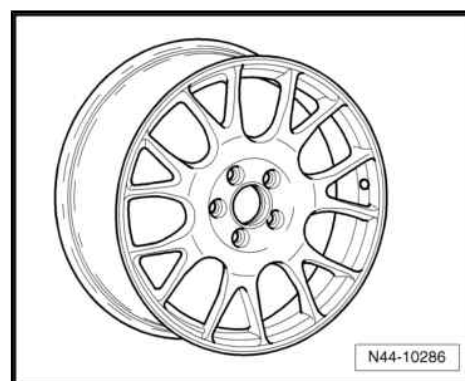
Size:	7 ¹ / ₂ J x 18
Wheel offset in mm:	51
Wheel load in kg:	615



1K0 601 025 AT, 1K0 601 025 CC - Wheel and tyre combination ⇒ [page 121](#)

Only for vehicles with sports running gear and rear axle camber of -1°45'

Size:	7 ¹ / ₂ J x 18
Wheel offset in mm:	51
Wheel load in kg:	615

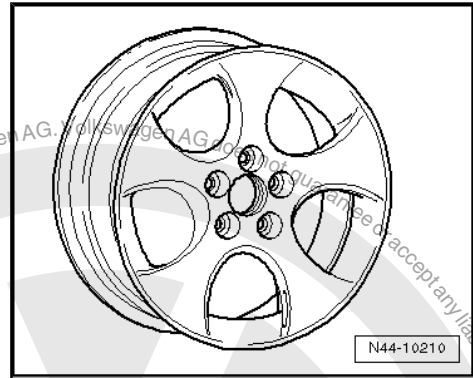




1K0 601 025 BA - Wheel and tyre combination ⇒ [page 121](#)

Only for vehicles with sports running gear and rear axle camber of $-1^{\circ}45'$

Size:	7 $\frac{1}{2}$ J x 18
Wheel offset in mm:	51
Wheel load in kg:	615



1K0 601 025 BE - Wheel and tyre combination ⇒ [page 121](#)

Only for vehicles with sports running gear and rear axle camber of $-1^{\circ}45'$

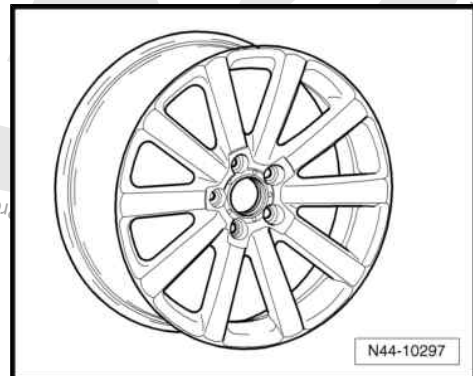
Size:	7 $\frac{1}{2}$ J x 18
Wheel offset in mm:	51
Wheel load in kg:	615



1K0 601 025 BL - Wheel and tyre combination ⇒ [page 121](#)

Only for vehicles with sports running gear and rear axle camber of $-1^{\circ}45'$

Size:	7 $\frac{1}{2}$ J x 18
Wheel offset in mm:	51
Wheel load in kg:	615





22 Golf GTI from model year 2010

General

Volkswagen vehicles are built according to the latest findings in safety engineering. To keep it that way, we recommend the use of only genuine Volkswagen spare parts. You can recognise this by the VW Audi logo and by the part number. It has been established that these parts are reliable, safe and suitable.

Despite constant appraisal of the market, we cannot assess other products on these points, even when in isolated cases they have been passed by official inspectors or have been granted official approval. Therefore, we cannot, of course, assume any liability if these products are installed.



WARNING

The products from Volkswagen genuine parts and Volkswagen accessories may differ in fitting requirements, torque specifications and so on.

Always follow the respective fitting and operating instructions.

The wheel and tyre combinations or changes listed in the vehicle tables refer exclusively to Volkswagen Genuine wheels. Approval of wheel and tyre combinations or a change to wheels from the accessories trade is not possible with the certificate statement attached here.



WARNING

The fitting instructions and torque specifications for wheels from Volkswagen accessories may differ from those intended for wheels from Volkswagen genuine parts.

Therefore, always observe the torque settings for the wheel bolts as well as the respective fitting and operating instructions.

22.1 Golf GTI, sales type 5K, model year 2010 to model year 2012



Caution

The Golf GTI will be listed according to the sales types and not by the type approval model codes.

The type approval model code and the associated type approval number are listed as follows.

Golf GTI, type approval code 1K

Appendix to certificate statement 8107901214

The certificate statement can be found on the Volkswagen ServiceNet under Accessories/Tyres, Wheels and Tyres, Wheels and Tyres Guide.



Type Approval No.: e1*2001/116*0242*29 to
e1*2001/116*0242*38

Overview

Model engine output	Tyres	Tyre size	Wheel rim	Off-set in mm	Snow chains	Remarks	
2.0l 155 kW; petrol engine	Standard tyres	225/45 R 17 91W	7 ¹ / ₂ J x 17 ⇒ page 149	51	No	General information on: ◆ Winter tyres ⇒ page 14 ◆ Snow chains ⇒ page 17	
	Modification	205/55 R 16 91W	6 ¹ / ₂ J x 16 ⇒ page 140	50	No		Tyre makes recommended by Volkswagen: ◆ Summer tyres ⇒ page 467 ◆ Winter tyres ⇒ page 494
		205/50 R 17 93W	6 J x 17 ⇒ page 145	48.5	Yes* ⇒ page 138		
		225/45 R 17 91W	7 J x 17 ⇒ page 145	54	No		
		225/40 R 18 92Y	7 ¹ / ₂ J x 18 ⇒ page 150	51	No		
		225/35 R 19 88Y* ⇒ page 138	7 ¹ / ₂ J x 19 ⇒ page 153	51	No	* 225/35 R 19 88Y tyres are permitted on 7 ¹ / ₂ J x 19 offset 51 rims only if the stated conditions are met ⇒ page 154 .	
	Winter tyres	205/55 R 16 91Q/T/H	6 J x 16 ⇒ page 139	50	Yes	* Only snow chains with fine links of no more than 8 mm may be used ⇒ Electronic parts catalogue „ETKA - Accessories catalogue“ .	
		205/50 R 17 93Q/T/H	6 J x 17 ⇒ page 145	48.5	Yes* ⇒ page 138		
	2.0l 173 kW; petrol engine	Standard tyres	225/35 R 19 88Y	7 ¹ / ₂ J x 19 ⇒ page 153	51	No	
		Modification	205/50 R 17 93W	6 J x 17 ⇒ page 145	48.5	Yes* ⇒ page 139	
225/45 R 17 91W			7 J x 17 ⇒ page 145	54	No		
225/45 R 17 91W			7 ¹ / ₂ J x 17 ⇒ page 149	51	No		



Model engine output	Tyres	Tyre size	Wheel rim	Off-set in mm	Snow chains	Remarks
		225/40 R 18 92Y	7 1/2 J x 18 ⇒ page 150	51	No	* Only snow chains with fine links of no more than 8 mm may be used ⇒ Electronic parts catalogue „ETKA - Accessories catalogue“ .
	Winter tyres	205/50 R 17 93Q/T/H	6 J x 17 ⇒ page 145	48.5	Yes* ⇒ page 139	

Tyre pressures are printed on the tyre inflation pressure label, which can be found on the inside of the tank flap and on the driver's B-pillar.

22.2 Wheel allocation for Golf GTI, type 5K model year 2010 to model year 2012

Golf GTI, type approval code 1K


Explanation of information on wheels ⇒ [page 49](#)

Torque settings for wheel bolts ⇒ Running gear, axles, steering;
Rep. gr. 44 ; Torque settings for fitting wheels

Pitch circle diameter: 112 mm

Number of wheel bolt holes: 5

22.2.1 6 J x 16



Caution

Observe the allocation of wheels and tyres to the respective engines, which are listed in the overview table ⇒ [page 138](#).

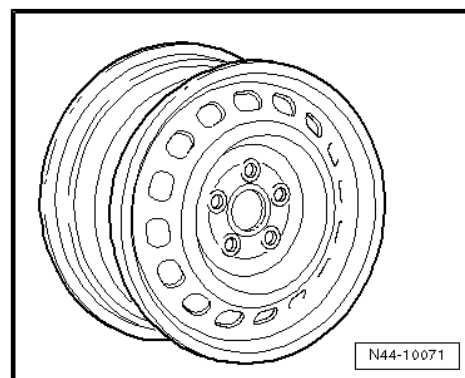
Winter wheels

8P0 601 027 - Wheel and tyre combination ⇒ [page 138](#)

Size:	6 J x 16
Wheel offset in mm:	50
Wheel load in kg:	600

Use the following wheel bolt caps for wheel bolts:

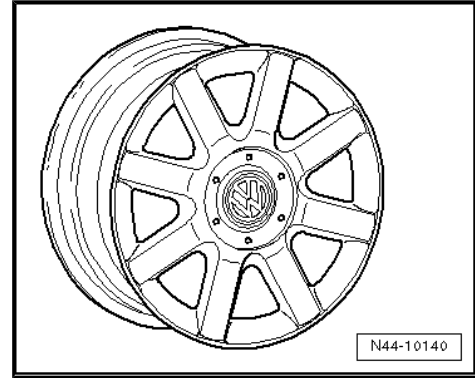
- ◆ 1K0.601.173 (4 per wheel)
- ◆ 1K0.601.173.A (1 per wheel)





1K0 601 025 Q - Wheel and tyre combination ⇒ page 138

Size:	6 J x 16 EH2 ⇒ page 49
Wheel offset in mm:	50
Wheel load in kg:	615



22.2.2 6¹/₂ J x 16

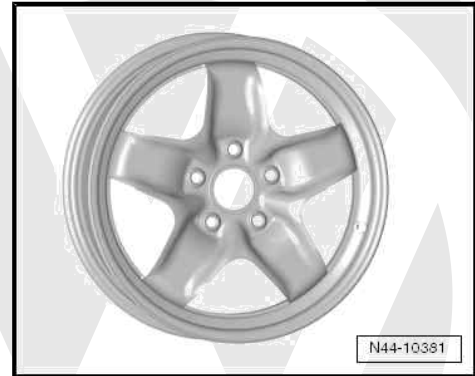


Caution

Observe the allocation of wheels and tyres to the respective engines, which are listed in the overview table ⇒ page 138.

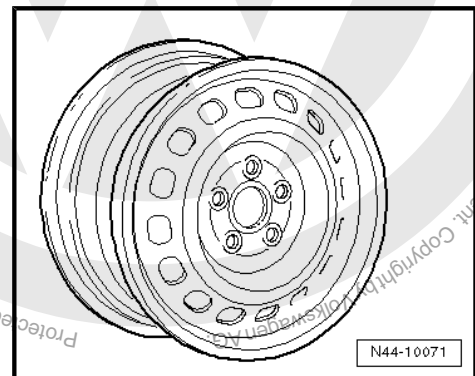
5K0 601 027 - Wheel and tyre combination ⇒ page 138

Size:	6 ¹ / ₂ J x 16
Wheel offset in mm:	50
Wheel load in kg:	615



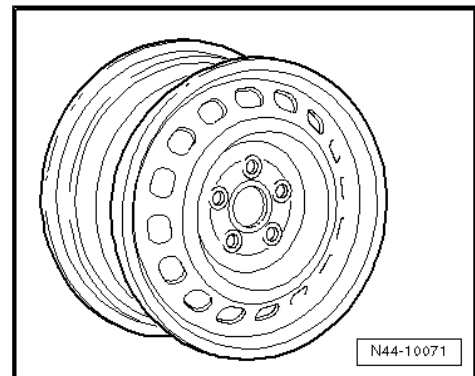
1K0 601 027 A, 1K0 601 027 AH - Wheel and tyre combination ⇒ page 138

Size:	6 ¹ / ₂ J x 16
Wheel offset in mm:	50
Wheel load in kg:	615



1K0 601 027 J - Wheel and tyre combination ⇒ page 138

Size:	6 ¹ / ₂ J x 16
Wheel offset in mm:	50
Wheel load in kg:	615





5K0 601 025 AE - Wheel and tyre combination ⇒ page 138

Size:	6 ¹ / ₂ J x 16
Wheel offset in mm:	50
Wheel load in kg:	615



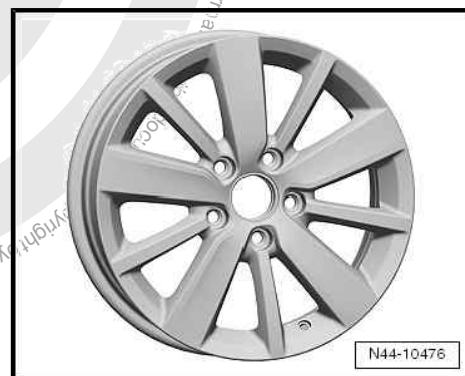
5K0 601 025 E - Wheel and tyre combination ⇒ page 138

Size:	6 ¹ / ₂ J x 16
Wheel offset in mm:	50
Wheel load in kg:	615



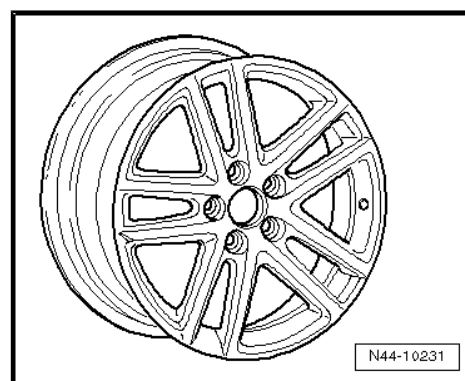
5K0 601 025 S - Wheel and tyre combination ⇒ page 138

Size:	6 ¹ / ₂ J x 16
Wheel offset in mm:	50
Wheel load in kg:	615



1K0 601 025 AJ - Wheel and tyre combination ⇒ page 138

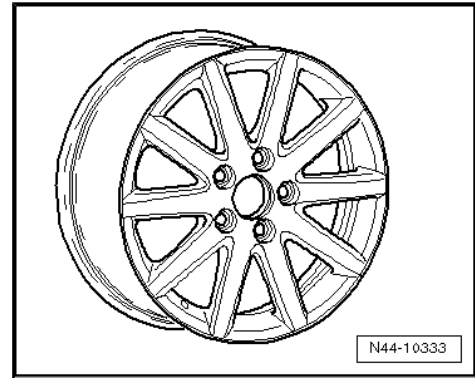
Size:	6 ¹ / ₂ J x 16
Wheel offset in mm:	50
Wheel load in kg:	615





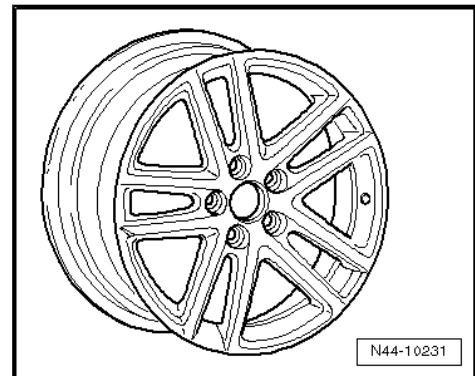
1K0 601 025 BC - Wheel and tyre combination ⇒ page 138

Size:	6 ¹ / ₂ J x 16
Wheel offset in mm:	50
Wheel load in kg:	615



1K0 601 025 BM - Wheel and tyre combination ⇒ page 138

Size:	6 ¹ / ₂ J x 16
Wheel offset in mm:	50
Wheel load in kg:	615



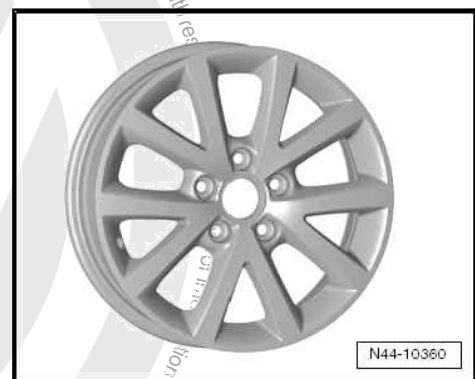
1K0 601 025 BR - Wheel and tyre combination ⇒ page 138

Size:	6 ¹ / ₂ J x 16
Wheel offset in mm:	50
Wheel load in kg:	615



1K0 601 025 BS - Wheel and tyre combination ⇒ page 138

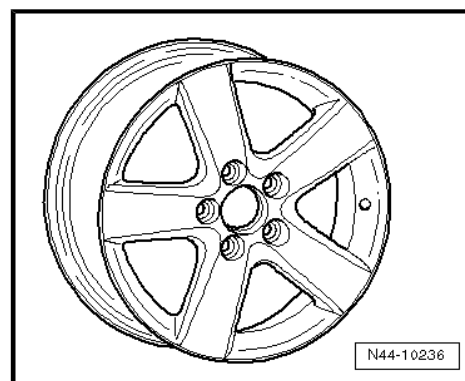
Size:	6 ¹ / ₂ J x 16
Wheel offset in mm:	50
Wheel load in kg:	615





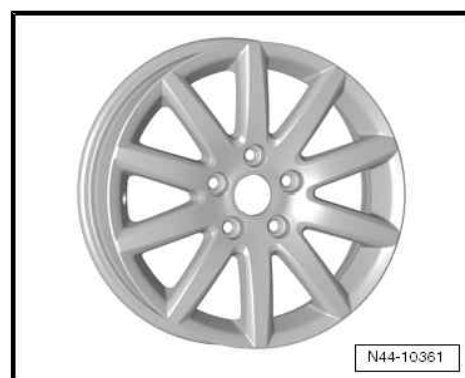
1K0 601 025 CB - Wheel and tyre combination ⇒ page 138

Size:	6 ¹ / ₂ J x 16
Wheel offset in mm:	50
Wheel load in kg:	615



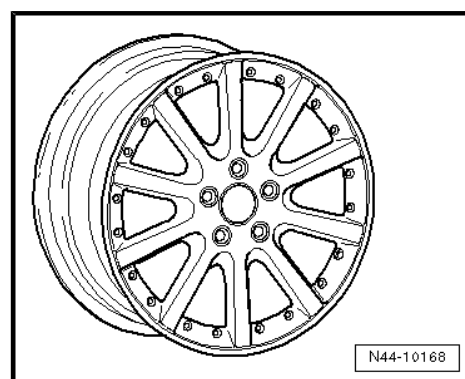
1K0 601 025 CG - Wheel and tyre combination ⇒ page 138

Size:	6 ¹ / ₂ J x 16
Wheel offset in mm:	50
Wheel load in kg:	615



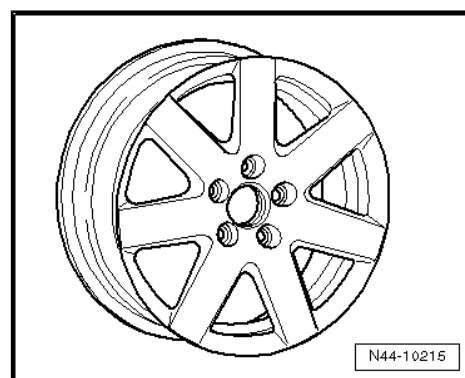
1K0 601 025 F - Wheel and tyre combination ⇒ page 138

Size:	6 ¹ / ₂ J x 16
Wheel offset in mm:	50
Wheel load in kg:	615



1K0 601 025 P - Wheel and tyre combination ⇒ page 138

Size:	6 ¹ / ₂ J x 16
Wheel offset in mm:	50
Wheel load in kg:	615

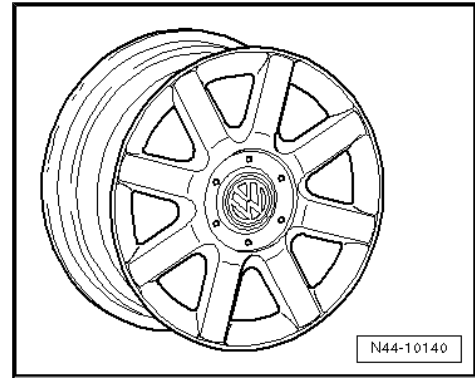


Protected by copyright. Volkswagen AG does not guarantee or accept any liability with respect to the correctness of information in this document. Private or commercial purposes, in part or in whole, is not permitted unless authorised by Volkswagen AG.



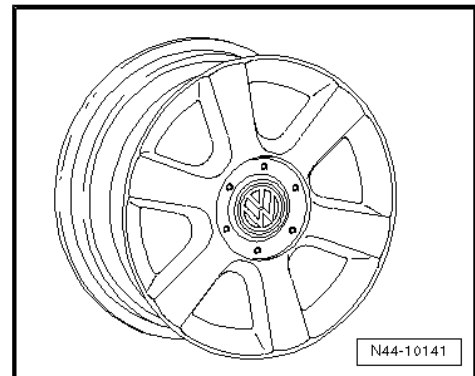
1K0 601 025 R - Wheel and tyre combination ⇒ page 138

Size:	6 ¹ / ₂ J x 16
Wheel offset in mm:	50
Wheel load in kg:	615



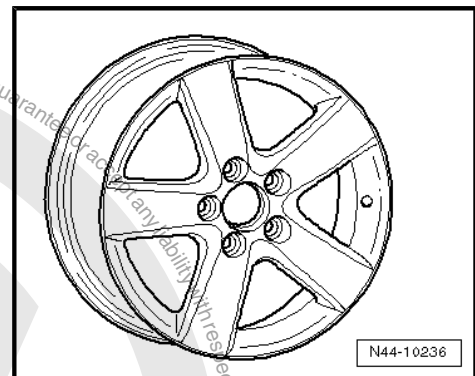
1T0 601 025 C - Wheel and tyre combination ⇒ page 138

Size:	6 ¹ / ₂ J x 16
Wheel offset in mm:	50
Wheel load in kg:	615



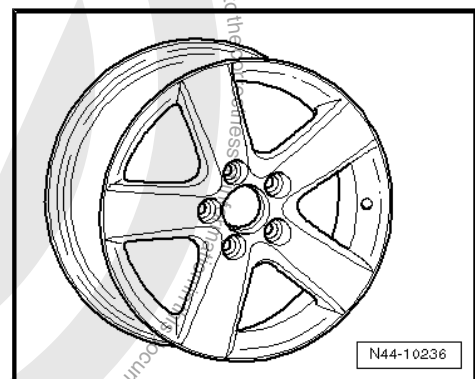
1T0 601 025 G, 1T0 601 025 K - Wheel and tyre combination ⇒ page 138

Size:	6 ¹ / ₂ J x 16
Wheel offset in mm:	50
Wheel load in kg:	615



1T0 601 025 M - Wheel and tyre combination ⇒ page 138

Size:	6 ¹ / ₂ J x 16
Wheel offset in mm:	50
Wheel load in kg:	615





1T0 601 025 R - Wheel and tyre combination ⇒ page 138

Size:	6 ¹ / ₂ J x 16
Wheel offset in mm:	50
Wheel load in kg:	615



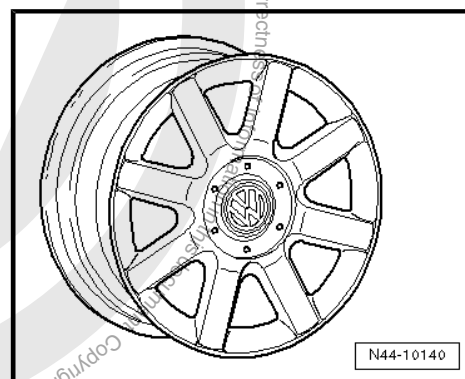
22.2.3 6 J x 17

⚠ Caution
Observe the allocation of wheels and tyres to the respective engines, which are listed in the overview table ⇒ page 138 .

Winter wheel

1K0 601 025 N - Wheel and tyre combination ⇒ page 138

Size:	6 J x 17
Wheel offset in mm:	48.5
Wheel load in kg:	615



22.2.4 7 J x 17

⚠ Caution
Observe the allocation of wheels and tyres to the respective engines, which are listed in the overview table ⇒ page 138 .

5K0 601 025 D - Wheel and tyre combination ⇒ page 138

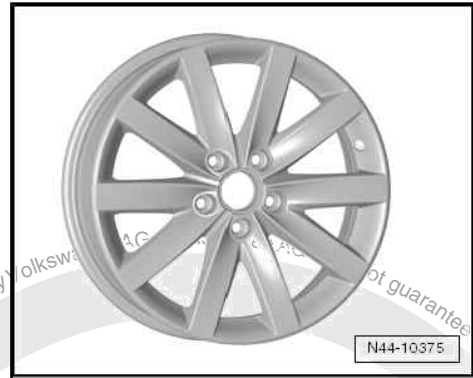
Size:	7 J x 17
Wheel offset in mm:	54
Wheel load in kg:	615





5K0 601 025 F - Wheel and tyre combination ⇒ page 138

Size:	7 J x 17
Wheel offset in mm:	54
Wheel load in kg:	615



5K0 601 025 K - Wheel and tyre combination ⇒ page 138

Size:	7 J x 17
Wheel offset in mm:	54
Wheel load in kg:	615



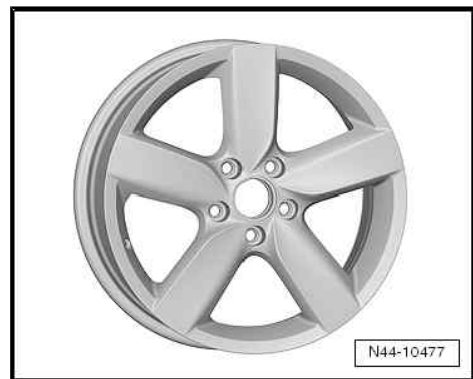
5K0 601 025 Q, 5K0 601 025 R - Wheel and tyre combination ⇒ page 138

Size:	7 J x 17
Wheel offset in mm:	54
Wheel load in kg:	615



5K0 601 025 AA - Wheel and tyre combination ⇒ page 138

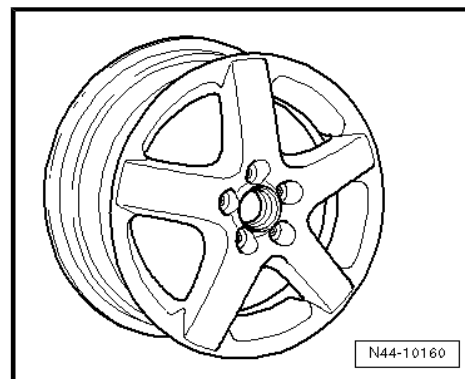
Size:	7 J x 17
Wheel offset in mm:	54
Wheel load in kg:	615





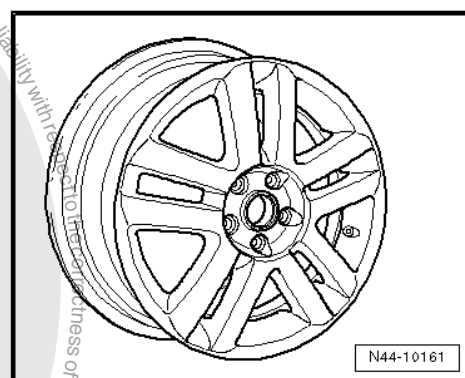
1K0 601 025 B - Wheel and tyre combination ⇒ page 138

Size:	7 J x 17
Wheel offset in mm:	54
Wheel load in kg:	615



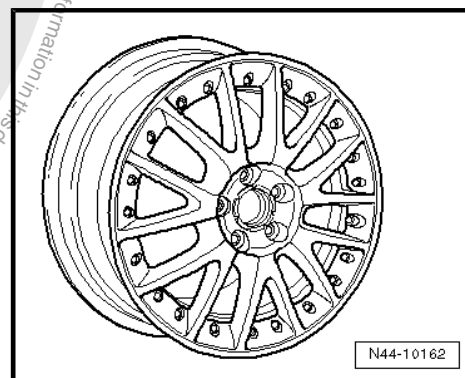
1K0 601,025 C - Wheel and tyre combination ⇒ page 138

Size:	7 J x 17
Wheel offset in mm:	54
Wheel load in kg:	615



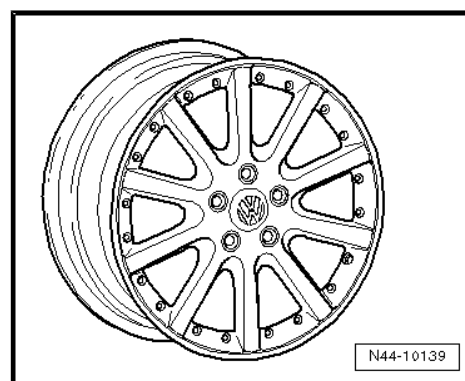
1K0 601 025 J - Wheel and tyre combination ⇒ page 138

Size:	7 J x 17
Wheel offset in mm:	54
Wheel load in kg:	615



1K0 601 025 K - Wheel and tyre combination ⇒ page 138

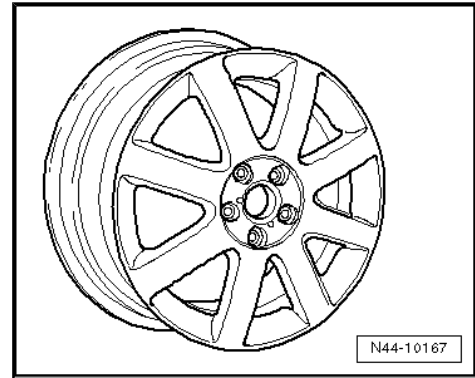
Size:	7 J x 17
Wheel offset in mm:	54
Wheel load in kg:	615





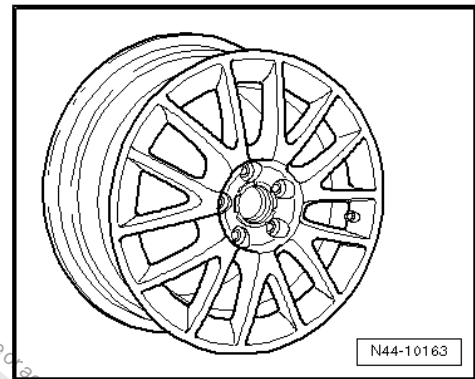
1K0 601 025 M - Wheel and tyre combination ⇒ page 138

Size:	7 J x 17
Wheel offset in mm:	54
Wheel load in kg:	615



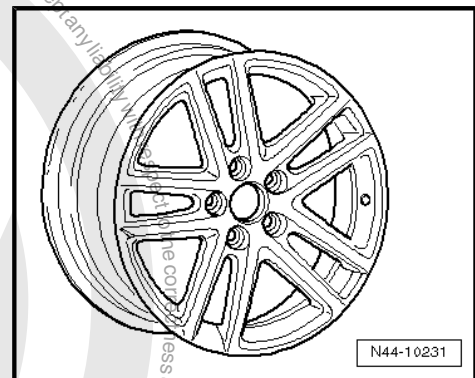
1K0 601 025 T - Wheel and tyre combination ⇒ page 138

Size:	7 J x 17
Wheel offset in mm:	54
Wheel load in kg:	615



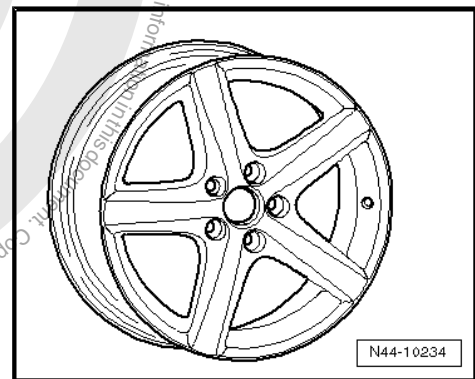
1K0 601 025 AF - Wheel and tyre combination ⇒ page 138

Size:	7 J x 17
Wheel offset in mm:	54
Wheel load in kg:	630



1K0 601 025 AE - Wheel and tyre combination ⇒ page 138

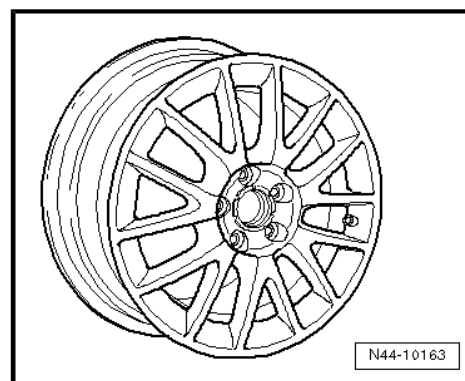
Size:	7 J x 17
Wheel offset in mm:	54
Wheel load in kg:	630






1K0 601 025 AN - Wheel and tyre combination ⇒ page 138

Size:	7 J x 17
Wheel offset in mm:	54
Wheel load in kg:	615



22.2.5 7¹/₂ J x 17

 **Caution**

Observe the allocation of wheels and tyres to the respective engines, which are listed in the overview table ⇒ page 138 .

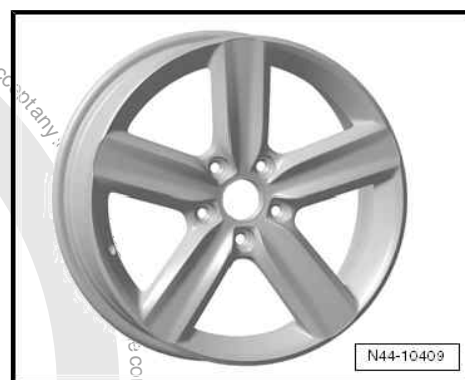
5K0 601 025 N - Wheel and tyre combination ⇒ page 138

Size:	7 ¹ / ₂ J x 17
Wheel offset in mm:	51
Wheel load in kg:	630



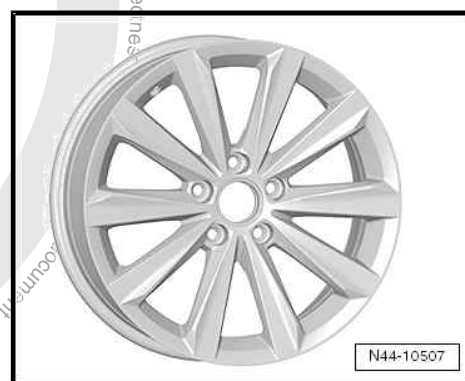
5K0 601 025 G - Wheel and tyre combination ⇒ page 138

Size:	7 ¹ / ₂ J x 17
Wheel offset in mm:	51
Wheel load in kg:	630



5K0 601 025 AD - Wheel and tyre combination ⇒ page 138

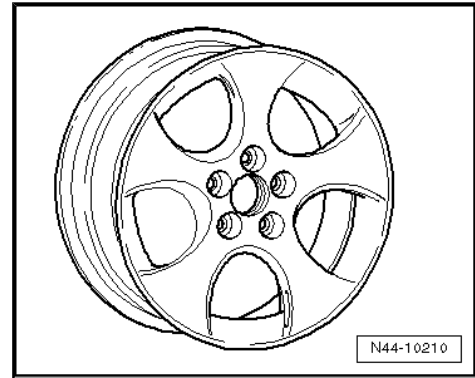
Size:	7 ¹ / ₂ J x 17
Wheel offset in mm:	51
Wheel load in kg:	630





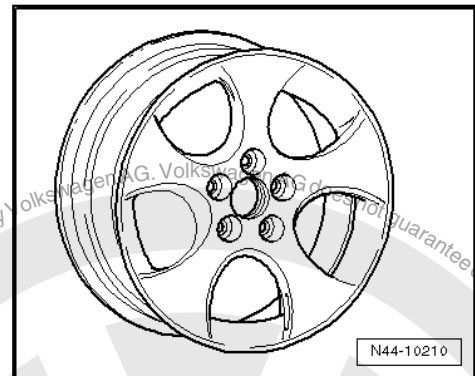
1K0 601 025 AC - Wheel and tyre combination ⇒ page 138

Size:	7 ¹ / ₂ J x 17
Wheel offset in mm:	51
Wheel load in kg:	615



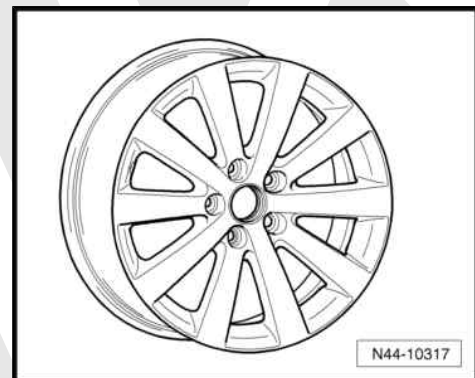
1K0 601 025 BB - Wheel and tyre combination ⇒ page 138

Size:	7 ¹ / ₂ J x 17
Wheel offset in mm:	51
Wheel load in kg:	615



1K0 601 025 BK - Wheel and tyre combination ⇒ page 138

Size:	7 ¹ / ₂ J x 17
Wheel offset in mm:	51
Wheel load in kg:	615



22.2.6 7¹/₂ J x 18



Caution

Observe the allocation of wheels and tyres to the respective engines, which are listed in the overview table ⇒ page 138 .

5K0 601 025 AF, 5K0 601 025 AG - Wheel and tyre combination ⇒ page 138

Only with camber angle of -1°45' on rear axle

Size:	7 ¹ / ₂ J x 18
Wheel offset in mm:	51
Wheel load in kg:	615





5K0 601 025 H - Wheel and tyre combination ⇒ page 138

Only with camber angle of -1°45' on rear axle

Size:	7 ¹ / ₂ J x 18
Wheel offset in mm:	51
Wheel load in kg:	630



5K0 601 025 L - Wheel and tyre combination ⇒ page 138

Only with camber angle of -1°45' on rear axle

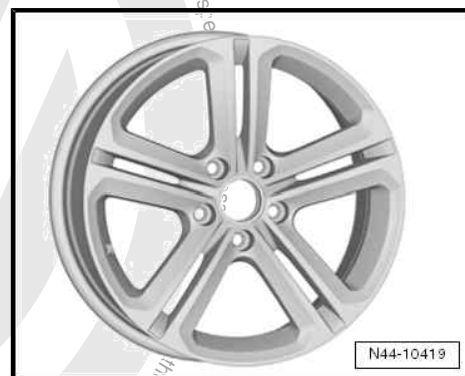
Size:	7 ¹ / ₂ J x 18
Wheel offset in mm:	51
Wheel load in kg:	615



5K0 601 025 P - Wheel and tyre combination ⇒ page 138

Only with camber angle of -1°45' on rear axle

Size:	7 ¹ / ₂ J x 18
Wheel offset in mm:	51
Wheel load in kg:	630



5K0 601 025 AC - Wheel and tyre combination ⇒ page 138

Only with camber angle of -1°45' on rear axle

Size:	7 ¹ / ₂ J x 18
Wheel offset in mm:	51
Wheel load in kg:	630

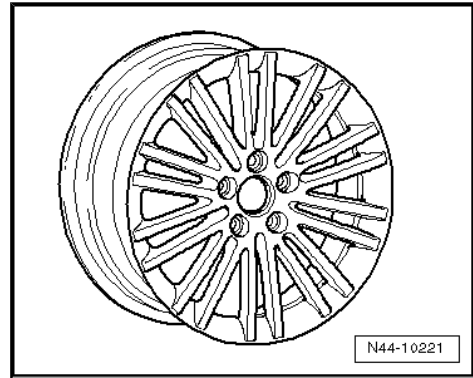




1K0 601 025 AD - Wheel and tyre combination ⇒ page 138

Only with camber angle of $-1^{\circ}45'$ on rear axle

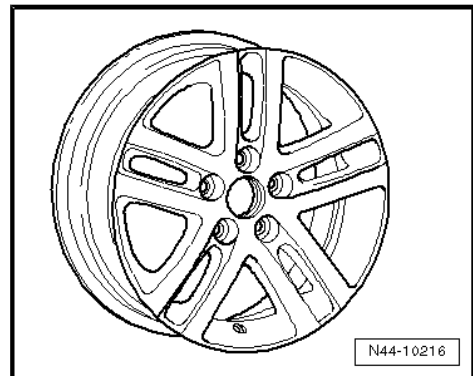
Size:	7 $\frac{1}{2}$ J x 18
Wheel offset in mm:	51
Wheel load in kg:	630



1K0 601 025 AG - Wheel and tyre combination ⇒ page 138

Only with camber angle of $-1^{\circ}45'$ on rear axle

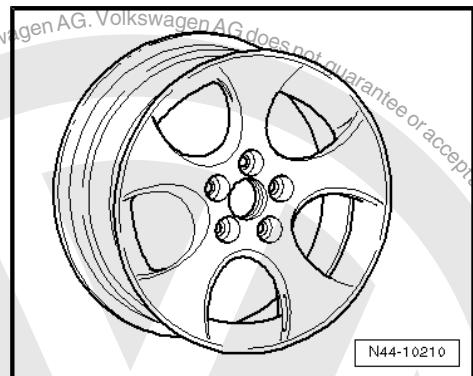
Size:	7 $\frac{1}{2}$ J x 18
Wheel offset in mm:	51
Wheel load in kg:	630



1K0 601 025 AH - Wheel and tyre combination ⇒ page 138

Only with camber angle of $-1^{\circ}45'$ on rear axle

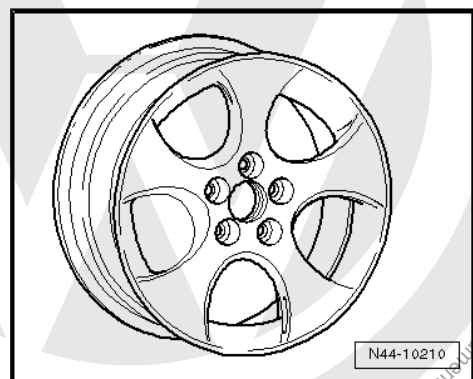
Size:	7 $\frac{1}{2}$ J x 18
Wheel offset in mm:	51
Wheel load in kg:	615



1K0 601 025 AM - Wheel and tyre combination ⇒ page 138

Only with camber angle of $-1^{\circ}45'$ on rear axle

Size:	7 $\frac{1}{2}$ J x 18
Wheel offset in mm:	51
Wheel load in kg:	615

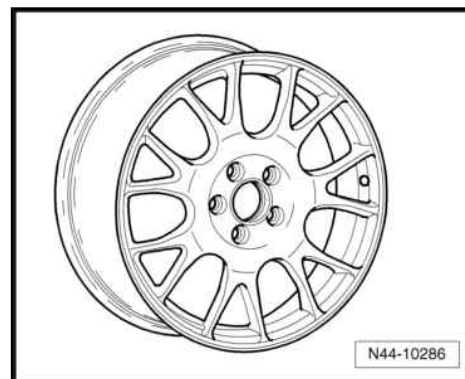




1K0 601 025 AT, 1K0 601 025 CC - Wheel and tyre combination
⇒ [page 138](#)

Only with camber angle of -1°45' on rear axle

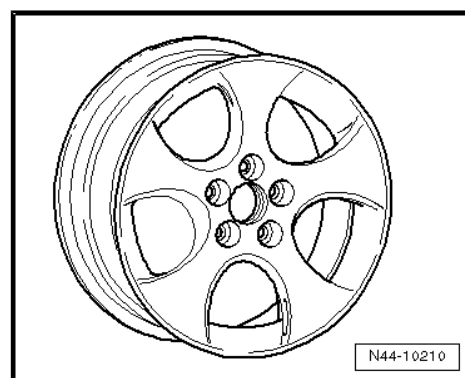
Size:	7 ¹ / ₂ J x 18
Wheel offset in mm:	51
Wheel load in kg:	615



1K0 601 025 BA - Wheel and tyre combination ⇒ [page 138](#)

Only with camber angle of -1°45' on rear axle

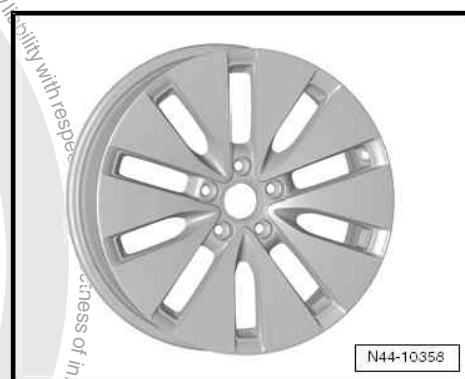
Size:	7 ¹ / ₂ J x 18
Wheel offset in mm:	51
Wheel load in kg:	615



1K0 601 025 BE - Wheel and tyre combination ⇒ [page 138](#)

Only with camber angle of -1°45' on rear axle

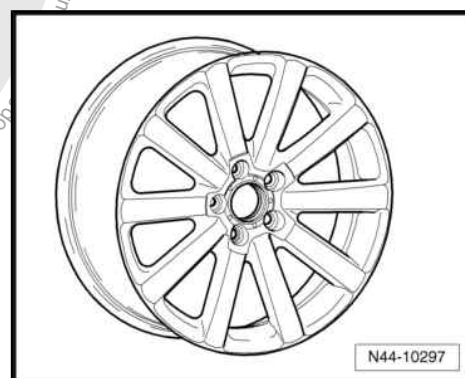
Size:	7 ¹ / ₂ J x 18
Wheel offset in mm:	51
Wheel load in kg:	615



1K0 601 025 BL - Wheel and tyre combination ⇒ [page 138](#)

Only with camber angle of -1°45' on rear axle

Size:	7 ¹ / ₂ J x 18
Wheel offset in mm:	51
Wheel load in kg:	615



22.2.7 7¹/₂ J x 19

	<p>Caution</p> <p><i>Observe the allocation of wheels and tyres to the respective engines, which are listed in the overview table ⇒ page 138 .</i></p>
--	---



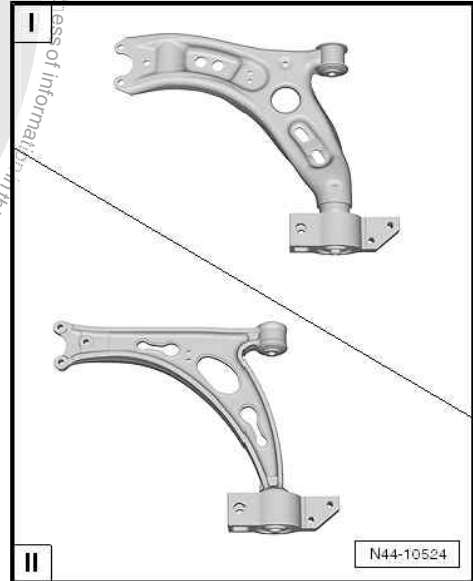
Caution

If the vehicle was not supplied ex-factory with 7 1/2 J x 19 wheels, the following conditions must be met for conversion:

- Exchange of suspension link
- Exchange of wheel bearing housing
- Suspension adjusted with camber angle of -1°45' as with 18" running gear.

When replacing suspension links, make sure that the correct suspension links are fitted.

- Suspension link ASSY for vehicles up to and including 18":
1K0.407.151/152 BC
- If Suspension link ASSY for vehicles up to and including 19":
1K0.407.151/152 AC

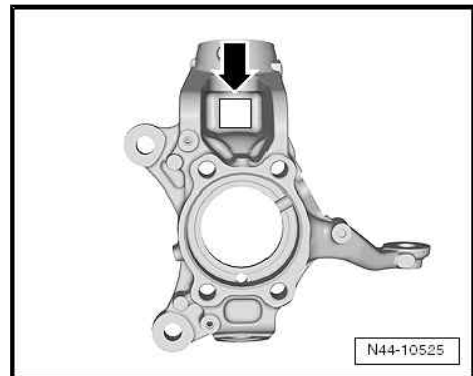


When replacing wheel bearing housings, make sure that the correct wheel bearing housings are fitted.

The respective part number can be found on the label -arrow-.

Allocation of wheel bearing housings:

- ◆ Wheel bearing housings up to and including 18":
1K0.407.255/256 N
- ◆ Wheel bearing housings up to and including 19":
1K0.407.255/256 AA



5K0 601 025 AB - Wheel and tyre combination ⇒ [page 138](#)

Size:	7 1/2 J x 19
Wheel offset in mm:	51
Wheel load in kg:	550





23 Golf R from model year 2010

General

Volkswagen vehicles are built according to the latest findings in safety engineering. To keep it that way, we recommend the use of only genuine Volkswagen spare parts. You can recognise this by the VW Audi logo and by the part number. It has been established that these parts are reliable, safe and suitable.

Despite constant appraisal of the market, we cannot assess other products on these points, even when in isolated cases they have been passed by official inspectors or have been granted official approval. Therefore, we cannot, of course, assume any liability if these products are installed.



WARNING

The products from Volkswagen genuine parts and Volkswagen accessories may differ in fitting requirements, torque specifications and so on.

Always follow the respective fitting and operating instructions.

The wheel and tyre combinations or changes listed in the vehicle tables refer exclusively to Volkswagen Genuine wheels. Approval of wheel and tyre combinations or a change to wheels from the accessories trade is not possible with the certificate statement attached here.



WARNING

The fitting instructions and torque specifications for wheels from Volkswagen accessories may differ from those intended for wheels from Volkswagen genuine parts.

Therefore, always observe the torque settings for the wheel bolts as well as the respective fitting and operating instructions.

23.1 Golf R, sales type 5K model year 2010



Caution

The Golf R will be listed according to the sales types and not by the type approval model codes.

The type approval model code and the associated type approval number are listed as follows.

Golf R, type approval code 1K

Appendix to certificate statement 8107901214

The certificate statement can be found on the Volkswagen ServiceNet under Accessories/Tyres, Wheels and Tyres, Wheels and Tyres Guide.




Type Approval No.: e1*2001/116*0242*33

Overview

Model engine output	Tyres	Tyre size	Wheel rim	Off-set in mm	Snow chains	Remarks
2.0l 188 kW; 2.0l 199 kW; petrol engine	Standard tyres	225/40 R 18 92Y	7 1/2 J x 18 ⇒ page 160	51	No	General information on: ◆ Winter tyres ⇒ page 14 ◆ Snow chains ⇒ page 17
	Modification	205/50 R 17 93W	7 J x 17 ⇒ page 158	47	No	Tyre makes recommended by Volkswagen: ◆ Summer tyres ⇒ page 468 ◆ Winter tyres ⇒ page 494
		225/45 R 17 94W	7 1/2 J x 17 ⇒ page 158	51	No	
		235/35 R 19 91Y* ⇒ page 156	8 J x 19 ⇒ page 163	50	No	
	Winter tyres	205/50 R 17 93Q/T/H	6 J x 17 ⇒ page 158	48.5	Yes** ⇒ page 156	*** Only snow chains with fine links of no more than 8 mm may be used ⇒ Electronic parts catalogue „ETKA - Accessories catalogue“ .

Tyre pressures are printed on the tyre inflation pressure label, which can be found on the inside of the tank flap and on the driver's B-pillar.

23.2 Golf R, sales type 5K model year 2011 to model year 2012



Caution

The Golf R will be listed according to the sales types and not by the type approval model codes.

The type approval model code and the associated type approval number are listed as follows.

Golf R, type approval code 1K

Appendix to certificate statement 8107901214



The certificate statement can be found on the Volkswagen ServiceNet under Accessories/Tyres, Wheels and Tyres, Wheels and Tyres Guide.

Type Approval No.: e1*2001/116*0242*34 to e1*2001/116*0242*38

Overview

Model engine output	Tyres	Tyre size	Wheel rim	Off-set in mm	Snow chains	Remarks
2.0l 188 kW; 2.0l 199 kW; petrol engine	Standard tyres	225/40 R 18 92Y	7 ¹ / ₂ J x 18 ⇒ page 160	51	No	General information on: ◆ Winter tyres ⇒ page 14 ◆ Snow chains ⇒ page 17 Tyre makes recommended by Volkswagen: ◆ Summer tyres ⇒ page 468 ◆ Winter tyres ⇒ page 494 * 235/35 R 19 91Y tyres on 8 J x 19 rims with an offset of 50 are only possible if the specified conditions ⇒ page 164 are met! *** Only snow chains with fine links of no more than 8 mm may be used ⇒ Electronic parts catalogue „ETKA - Accessories catalogue“ .
	Modification	205/50 R 17 93W	6 J x 17 ⇒ page 158	48.5	Yes** ⇒ page 157	
		225/45 R 17 94W	7 ¹ / ₂ J x 17 ⇒ page 158	51	No	
		235/35 R 19 91Y* ⇒ page 157	8 J x 19 ⇒ page 163	50	No	
	Winter tyres	205/50 R 17 93Q/T/H	6 J x 17 ⇒ page 158	48.5	Yes** ⇒ page 157	

Tyre pressures are printed on the tyre inflation pressure label, which can be found on the inside of the tank flap and on the driver's B-pillar.

23.3 Wheel allocation for Golf R, type 5K model year 2010 to model year 2012

Golf R, type approval code 1K

Explanation of information on wheels ⇒ [page 49](#)

Torque settings for wheel bolts ⇒ Running gear, axles, steering;
Rep. gr. 44 ; Torque settings for fitting wheels

Pitch circle diameter: 112 mm

Number of wheel bolt holes: 5



23.3.1 6 J x 17



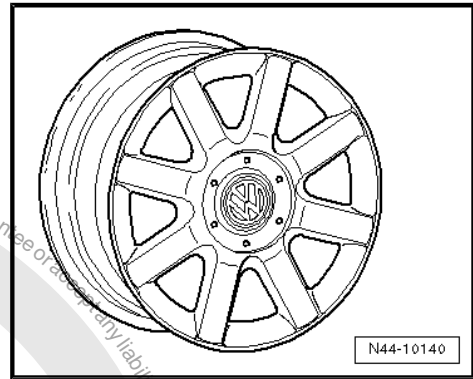
Caution

Observe the allocation of wheels and tyres to the respective engines, which are listed in the overview table ⇒ [page 156](#) .

Winter wheel

1K0 601 025 N - Wheel and tyre combination ⇒ [page 156](#)

Size:	6 J x 17
Wheel offset in mm:	48.5
Wheel load in kg:	615



23.3.2 7 J x 17

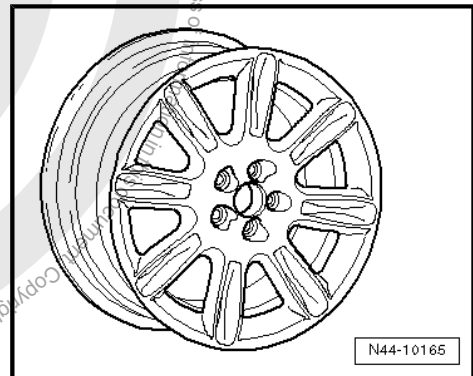


Caution

Observe the allocation of wheels and tyres to the respective engines, which are listed in the overview table ⇒ [page 156](#) .

5M0 601 025 - Wheel and tyre combination ⇒ [page 156](#)

Size:	7 J x 17
Wheel offset in mm:	47
Wheel load in kg:	630



23.3.3 7 1/2 J x 17



Caution

Observe the allocation of wheels and tyres to the respective engines, which are listed in the overview table ⇒ [page 156](#) .



5K0 601 025 N - Wheel and tyre combination ⇒ page 156

Size:	7 ¹ / ₂ J x 17
Wheel offset in mm:	51
Wheel load in kg:	630



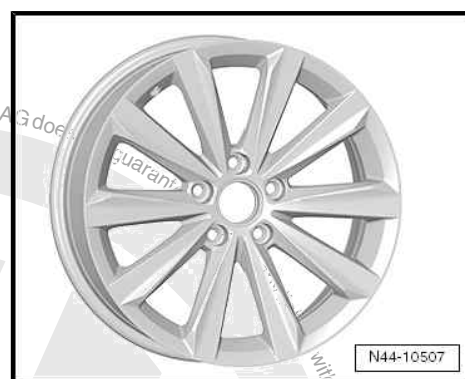
5K0 601 025 G - Wheel and tyre combination ⇒ page 156

Size:	7 ¹ / ₂ J x 17
Wheel offset in mm:	51
Wheel load in kg:	630



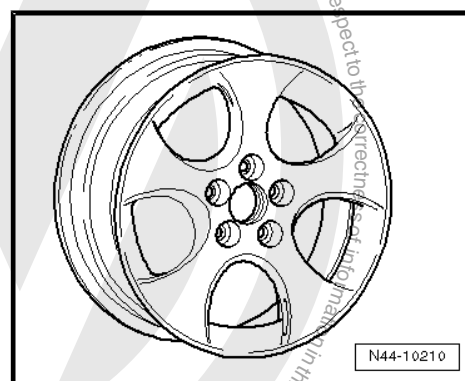
5K0 601 025 AD - Wheel and tyre combination ⇒ page 156

Size:	7 ¹ / ₂ J x 17
Wheel offset in mm:	51
Wheel load in kg:	630



1K0 601 025 AC - Wheel and tyre combination ⇒ page 156

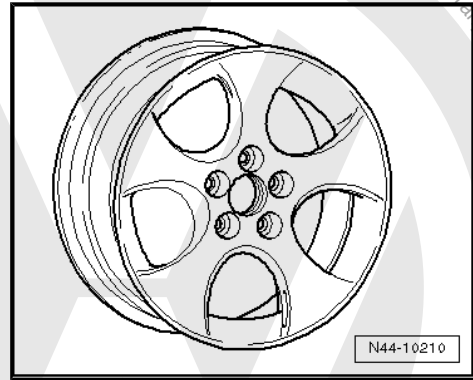
Size:	7 ¹ / ₂ J x 17
Wheel offset in mm:	51
Wheel load in kg:	615





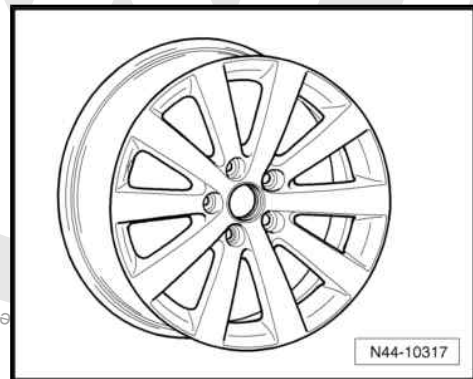
1K0 601 025 BB - Wheel and tyre combination ⇒ page 156

Size:	7 ¹ / ₂ J x 17
Wheel offset in mm:	51
Wheel load in kg:	615



1K0 601 025 BK - Wheel and tyre combination ⇒ page 156

Size:	7 ¹ / ₂ J x 17
Wheel offset in mm:	51
Wheel load in kg:	615



23.3.4 7¹/₂ J x 18



Caution

Observe the allocation of wheels and tyres to the respective engines, which are listed in the overview table ⇒ page 156 .

5K0 601 025 AF, 5K0 601 025 AG - Wheel and tyre combination ⇒ page 156

Size:	7 ¹ / ₂ J x 18
Wheel offset in mm:	51
Wheel load in kg:	615



5K0 601 025 H - Wheel and tyre combination ⇒ page 156

Size:	7 ¹ / ₂ J x 18
Wheel offset in mm:	51
Wheel load in kg:	630





5K0 601 025 L - Wheel and tyre combination ⇒ page 156

Size:	7 ¹ / ₂ J x 18
Wheel offset in mm:	51
Wheel load in kg:	615



5K0 601 025 P - Wheel and tyre combination ⇒ page 156

Size:	7 ¹ / ₂ J x 18
Wheel offset in mm:	51
Wheel load in kg:	630



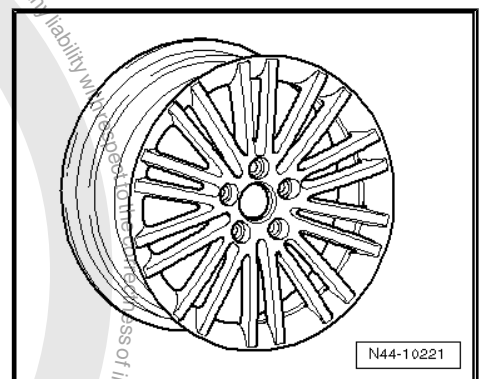
5K0 601 025 AC - Wheel and tyre combination ⇒ page 156

Size:	7 ¹ / ₂ J x 18
Wheel offset in mm:	51
Wheel load in kg:	630



1K0 601 025 AD - Wheel and tyre combination ⇒ page 156

Size:	7 ¹ / ₂ J x 18
Wheel offset in mm:	51
Wheel load in kg:	630

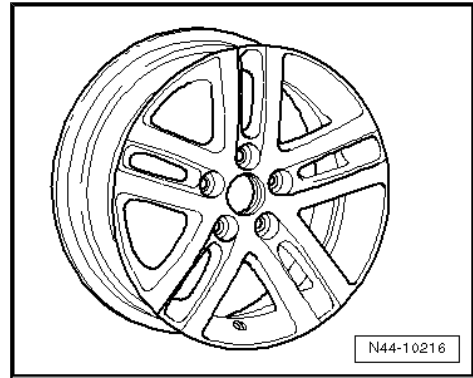


Protected by copyright. Copying for private or commercial purposes, in part or in full, is not permitted unless authorised by Volkswagen AG. Volkswagen AG does not guarantee or accept any liability with respect to the accuracy of the information in this document. Copyright by Volkswagen AG.



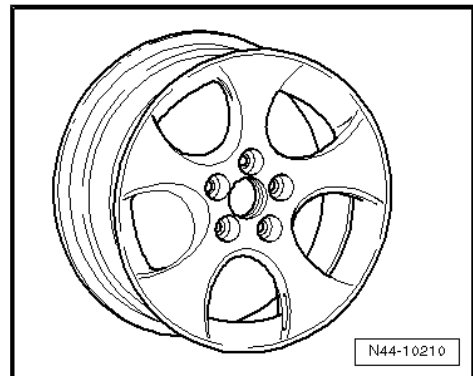
1K0 601 025 AG - Wheel and tyre combination ⇒ page 156

Size:	7 ¹ / ₂ J x 18
Wheel offset in mm:	51
Wheel load in kg:	630



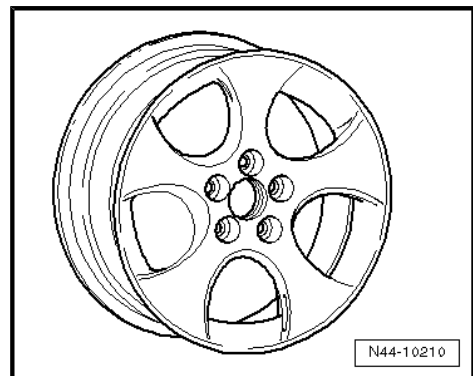
1K0 601 025 AH - Wheel and tyre combination ⇒ page 156

Size:	7 ¹ / ₂ J x 18
Wheel offset in mm:	51
Wheel load in kg:	615



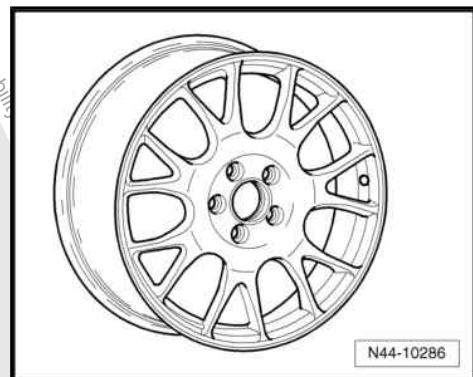
1K0 601 025 AM - Wheel and tyre combination ⇒ page 156

Size:	7 ¹ / ₂ J x 18
Wheel offset in mm:	51
Wheel load in kg:	615



1K0 601 025 AT, 1K0 601 025 CC - Wheel and tyre combination ⇒ page 156

Size:	7 ¹ / ₂ J x 18
Wheel offset in mm:	51
Wheel load in kg:	615

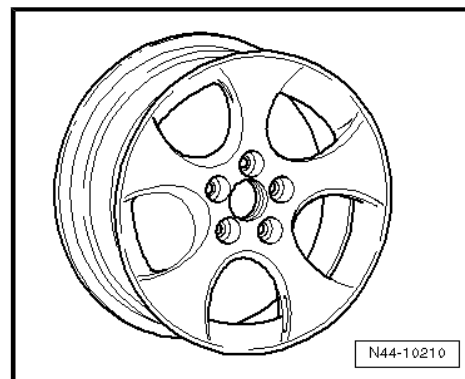


Printed by copyright. Copying for private or commercial purposes, in part or in whole, is prohibited. Volkswagen AG does not guarantee or accept any liability for information in this document. Copyright by Volkswagen AG.



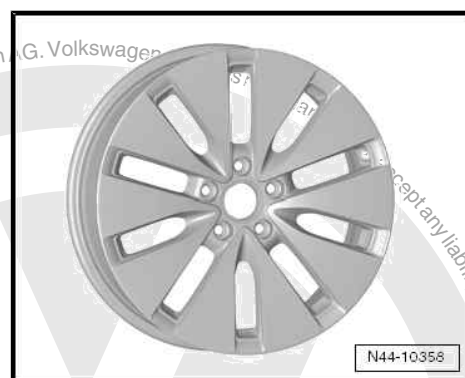
1K0 601 025 BA - Wheel and tyre combination ⇒ page 156

Size:	7 ¹ / ₂ J x 18
Wheel offset in mm:	51
Wheel load in kg:	615



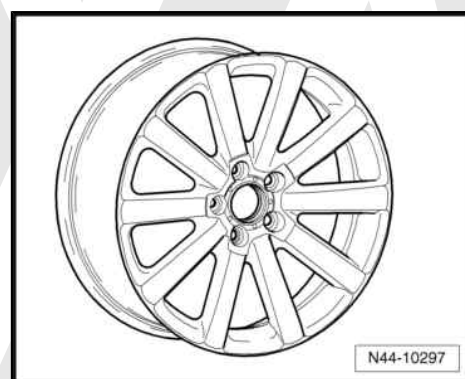
1K0 601 025 BE - Wheel and tyre combination ⇒ page 156

Size:	7 ¹ / ₂ J x 18
Wheel offset in mm:	51
Wheel load in kg:	615




1K0 601 025 BL - Wheel and tyre combination ⇒ page 156

Size:	7 ¹ / ₂ J x 18
Wheel offset in mm:	51
Wheel load in kg:	615



23.3.5 8 J x 19

	<p>Caution</p> <p><i>Observe the allocation of wheels and tyres to the respective engines, which are listed in the overview table ⇒ page 156 .</i></p>
---	---



Caution

8 J x 19 wheels can only be fitted under the following conditions:

- *The wheels may only be fitted on R vehicles which have factory-fitted 19 inch wheels and have been delivered with these wheels.*
- *Retrofitting vehicles with factory fitted 18 inch wheels is not possible.*
- *The running gear settings are analogue the 18 inch running gear.*

5K0 601 025 M - Wheel and tyre combination ⇒ [page 156](#)

Size:	8 J x 19
Wheel offset in mm:	50
Wheel load in kg:	630





24 CrossGolf from model year 2011

General

Volkswagen vehicles are built according to the latest findings in safety engineering. To keep it that way, we recommend the use of only genuine Volkswagen spare parts. You can recognise this by the VW Audi logo and by the part number. It has been established that these parts are reliable, safe and suitable.

Despite constant appraisal of the market, we cannot assess other products on these points, even when in isolated cases they have been passed by official inspectors or have been granted official approval. Therefore, we cannot, of course, assume any liability if these products are installed.



WARNING

The products from Volkswagen genuine parts and Volkswagen accessories may differ in fitting requirements, torque specifications and so on.

Always follow the respective fitting and operating instructions.

The wheel and tyre combinations or changes listed in the vehicle tables refer exclusively to Volkswagen Genuine wheels. Approval of wheel and tyre combinations or a change to wheels from the accessories trade is not possible with the certificate statement attached here.



WARNING

The fitting instructions and torque specifications for wheels from Volkswagen accessories may differ from those intended for wheels from Volkswagen genuine parts.

Therefore, always observe the torque settings for the wheel bolts as well as the respective fitting and operating instructions.

24.1 CrossGolf, sales type 521 model year 2011 to model year 2012



Caution

The CrossGolf will be listed according to the sales types and not by the type approval model codes.

The type approval model code and the associated type approval number are listed as follows.

CrossGolf, type approval code 1KP

Appendix to certificate statement 8107901214

The certificate statement can be found on the Volkswagen ServiceNet under Accessories/Tyres, Wheels and Tyres, Wheels and Tyres Guide.



Type Approval No.: e1*2001/116*0304*21 to e1*2001/116*0304*25

Overview

Model engine output	Tyres	Tyre size	Wheel rim	Off-set in mm	Snow chains	Remarks	
1,2l 77 kW petrol engine 1.6l 77 kW diesel engine	Standard tyres	225/45 R 17 91T	7 ¹ / ₂ J x 17 ⇒ page 181	47	No	General information on: ♦ Winter tyres ⇒ page 14 ♦ Snow chains ⇒ page 17 Tyre makes recommended by Volkswagen: ♦ Summer tyres ⇒ page 469 ♦ All-season tyres ⇒ page 485 ♦ Winter tyres ⇒ page 495 * Only snow chains with fine links of no more than 8 mm may be used ⇒ Electronic parts catalogue „ETKA - Accessories catalogue“ .	
	Modification	195/65 R 15 91T/H/V	6 J x 15 ⇒ page 168	47	Yes		
		195/65 R 15 91T/H/V	6 ¹ / ₂ J x 15 ⇒ page 169	50	Yes		
		205/60 R 15 91T/H/V	6 J x 15 ⇒ page 168	47	Yes		
		205/55 R 16 91T/H/V/W	6 ¹ / ₂ J x 16 ⇒ page 171	50	No		
		205/50 R 17 93T/H/V/W	6 J x 17 ⇒ page 176	48.5	Yes* ⇒ page 166		
		225/45 R 17 91T/H/V/W	7 J x 17 ⇒ page 177	47	No		
		225/45 R 17 91T/H/V/W	7 J x 17 ⇒ page 177	54	No		
		225/45 R 17 91H/V/W	7 ¹ / ₂ J x 17 ⇒ page 181	47	No		
	Winter tyres	195/65 R 15 91Q/T/H	6 J x 15 ⇒ page 168	47	Yes		
		205/55 R 16 91Q/T/H	6 J x 16 ⇒ page 170	50	Yes		
		205/50 R 17 93Q/T/H	6 J x 17 ⇒ page 176	48.5	Yes* ⇒ page 166		
	1,4l 90 kW petrol engine	Standard tyres	225/45 R 17 91H	7 ¹ / ₂ J x 17 ⇒ page 181	47		No



Model engine output	Tyres	Tyre size	Wheel rim	Off-set in mm	Snow chains	Remarks		
2.0l 103 kW diesel engine	Modification	195/65 R 15 91H/V	6 J x 15 ⇒ page 168	47	Yes			
		195/65 R 15 91H/V	6 ¹ / ₂ J x 15 ⇒ page 169	50	Yes			
		205/60 R 15 91H/V	6 J x 15 ⇒ page 168	47	Yes			
		205/55 R 16 91H/V/W	6 ¹ / ₂ J x 16 ⇒ page 171	50	No			
		205/50 R 17 93H/V/W	6 J x 17 ⇒ page 176	48.5	Yes* ⇒ page 167			
		225/45 R 17 91H/V/W	7 J x 17 ⇒ page 177	47	No			
		225/45 R 17 91H/V/W	7 J x 17 ⇒ page 177	54	No			
		225/45 R 17 91V/W	7 ¹ / ₂ J x 17 ⇒ page 181	47	No			
	Winter tyres	195/65 R 15 91Q/T/H	6 J x 15 ⇒ page 168	47	Yes			
		205/55 R 16 91Q/T/H	6 J x 16 ⇒ page 170	50	Yes			
		205/50 R 17 93Q/T/H	6 J x 17 ⇒ page 176	48.5	Yes* ⇒ page 167			
		1.4l 118 kW petrol engine	Standard tyres	225/45 R 17 91W	7 ¹ / ₂ J x 17 ⇒ page 181		47	No
			Modification	205/55 R 16 91V/W	6 ¹ / ₂ J x 16 ⇒ page 177		50	No
				205/50 R 17 93V/W	6 J x 17 ⇒ page 176		48.5	Yes* ⇒ page 168
225/45 R 17 91V/W	7 J x 17 ⇒ page 177			47	No			
225/45 R 17 91V/W	7 J x 17 ⇒ page 177			54	No			

* Only snow chains with fine links of no more than 8 mm may be used
⇒ Electronic parts catalogue ETKA - Accessories catalogue



Model engine output	Tyres	Tyre size	Wheel rim	Off-set in mm	Snow chains	Remarks
		225/45 R 17 91V	7 1/2 J x 17 ⇒ page 181	47	No	
	Winter tyres	205/55 R 16 91Q/T/H	6 J x 16 ⇒ page 170	50	Yes	
		205/50 R 17 93Q/T/H	6 J x 17 ⇒ page 176	48.5	Yes* ⇒ page 168	* Only snow chains with fine links of no more than 8 mm may be used ⇒ Electronic parts catalogue „ETKA - Accessories catalogue“ .

Tyre pressures are printed on the tyre inflation pressure label, which can be found on the inside of the tank flap and on the driver's B-pillar.

24.2 Wheel allocation CrossGolf, sales type 521 model year 2011 to model year 2012

CrossGolf, type approval code 1KP

Explanation of information on wheels ⇒ [page 49](#)

Torque settings for wheel bolts ⇒ Running gear, axles, steering;
Rep. gr. 44 ; Torque settings for fitting wheels

Pitch circle diameter: 112 mm

Number of wheel bolt holes: 5

24.2.1 6 J x 15

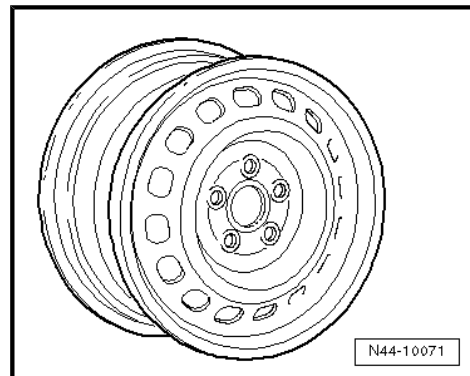


Caution

Observe the allocation of wheels and tyres to the respective engines, which are listed in the overview table ⇒ [page 166](#) .

1K0 601 027 H, 1K0 601 027 AG - Wheel and tyre combination
⇒ [page 166](#)

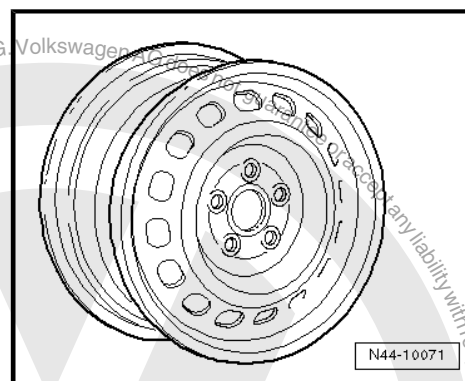
Size:	6 J x 15
Wheel offset in mm:	47
Wheel load in kg:	615





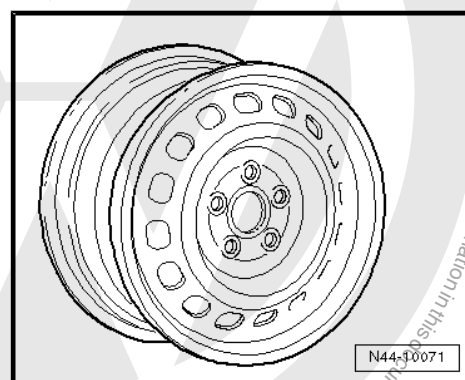
1K0 601 027 C, 1K0 601 027 T - Wheel and tyre combination
 ⇒ [page 166](#)

Size:	6 J x 15
Wheel offset in mm:	47
Wheel load in kg:	615



2K0 601 027 - Wheel and tyre combination ⇒ [page 166](#)

Size:	6 J x 15
Wheel offset in mm:	47
Wheel load in kg:	650

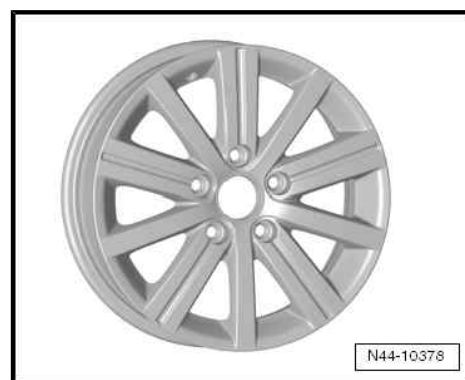


24.2.2 6¹/₂ J x 15

	Caution
<i>Observe the allocation of wheels and tyres to the respective engines, which are listed in the overview table ⇒ page 166.</i>	

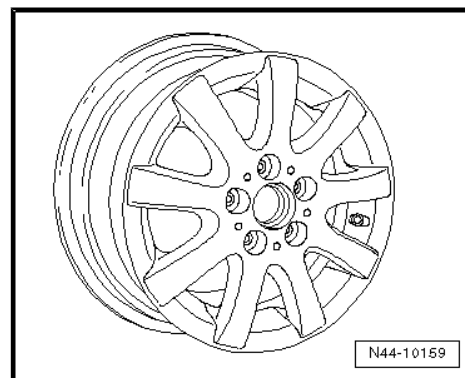
5k0 601 025 J - Wheel and tyre combination ⇒ [page 166](#)

Size:	6 ¹ / ₂ J x 15
Wheel offset in mm:	50
Wheel load in kg:	600



1K0 601 025 A - Wheel and tyre combination ⇒ [page 166](#)

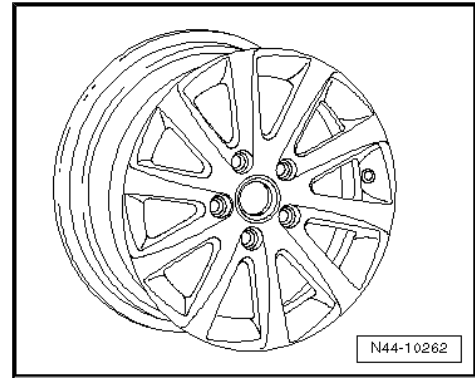
Size:	6 ¹ / ₂ J x 15
Wheel offset in mm:	50
Wheel load in kg:	600





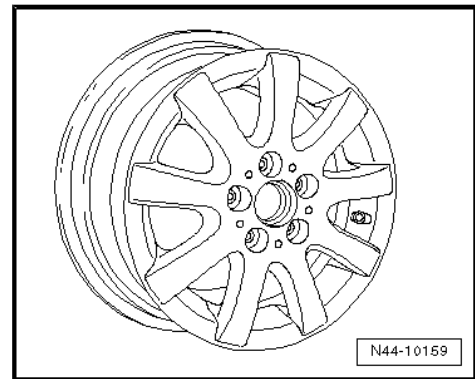
1K0 601 025 AK - Wheel and tyre combination ⇒ page 166

Size:	6 ¹ / ₂ J x 15
Wheel offset in mm:	50
Wheel load in kg:	600



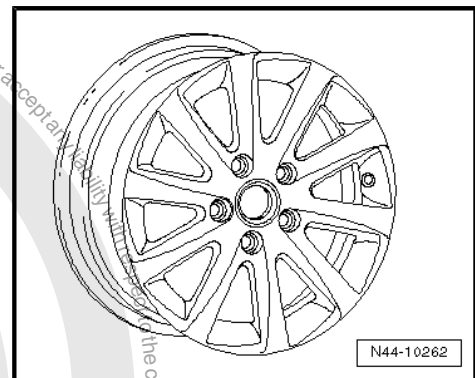
1K0 601 025 AQ - Wheel and tyre combination ⇒ page 166

Size:	6 ¹ / ₂ J x 15
Wheel offset in mm:	50
Wheel load in kg:	600



1K0 601 025 CA - Wheel and tyre combination ⇒ page 166

Size:	6 ¹ / ₂ J x 15
Wheel offset in mm:	50
Wheel load in kg:	600



24.23 6 J x 16



Caution

Observe the allocation of wheels and tyres to the respective engines, which are listed in the overview table ⇒ page 166 .



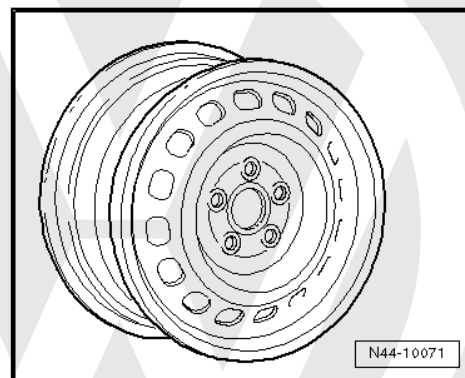
Winter wheels

8P0 601 027 - Wheel and tyre combination ⇒ [page 166](#)

Size:	6 J x 16
Wheel offset in mm:	50
Wheel load in kg:	600

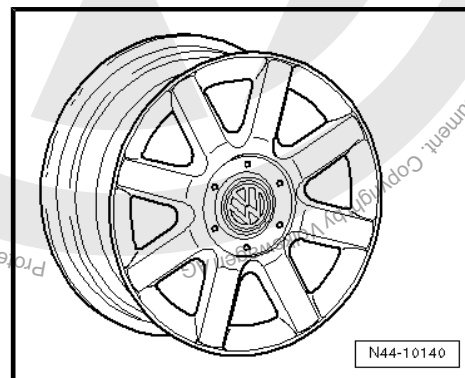
Use the following wheel bolt caps for wheel bolts:

- ◆ 1K0.601.173 (4 per wheel)
- ◆ 1K0.601.173.A (1 per wheel)



1K0 601 025 Q - Wheel and tyre combination ⇒ [page 166](#)

Size:	6 J x 16 EH2 ⇒ page 49
Wheel offset in mm:	50
Wheel load in kg:	615

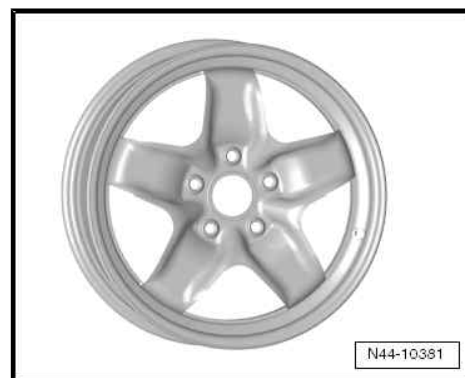


24.2.4 6¹/₂ J x 16

	Caution
<i>Observe the allocation of wheels and tyres to the respective engines, which are listed in the overview table ⇒ page 166 .</i>	

5K0 601 027 - Wheel and tyre combination ⇒ [page 166](#)

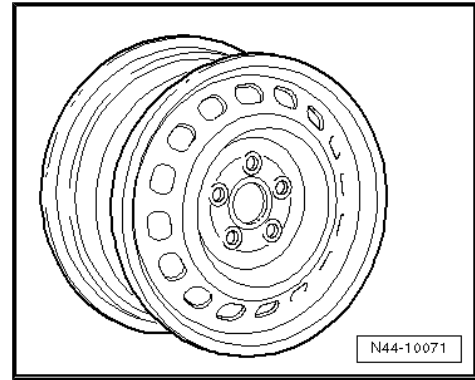
Size:	6 ¹ / ₂ J x 16
Wheel offset in mm:	50
Wheel load in kg:	615





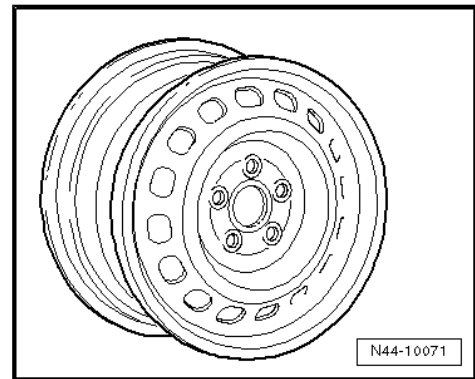
1K0 601 027 A, 1K0 601 027 AH - Wheel and tyre combination
⇒ [page 166](#)

Size:	6 ¹ / ₂ J x 16
Wheel offset in mm:	50
Wheel load in kg:	615



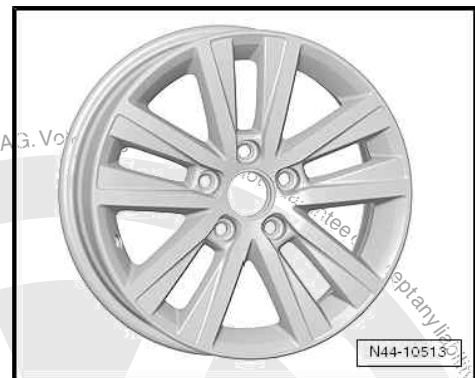
1K0 601 027 J, 1K0 601 027 K - Wheel and tyre combination
⇒ [page 166](#)

Size:	6 ¹ / ₂ J x 16
Wheel offset in mm:	50
Wheel load in kg:	615



5K0 601 025 AE - Wheel and tyre combination ⇒ [page 166](#)

Size:	6 ¹ / ₂ J x 16
Wheel offset in mm:	50
Wheel load in kg:	615



5K0 601 025 E - Wheel and tyre combination ⇒ [page 166](#)

Size:	6 ¹ / ₂ J x 16
Wheel offset in mm:	50
Wheel load in kg:	615

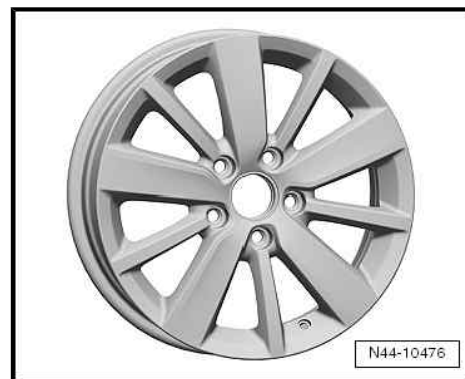


Protected by copyright. Copying for private or commercial purposes in part or in whole is not permitted unless authorised by Volkswagen AG. In this document. Copyright by Volkswagen AG. With respect to the correctness of information.



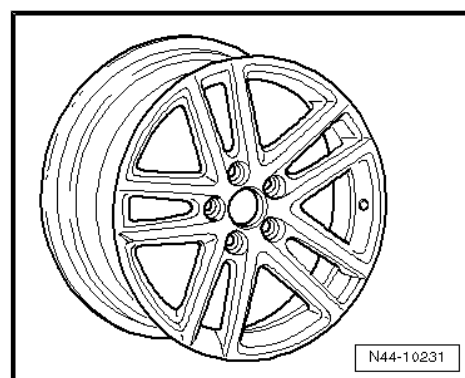
5K0 601 025 S - Wheel and tyre combination ⇒ page 166

Size:	6 ¹ / ₂ J x 16
Wheel offset in mm:	50
Wheel load in kg:	615



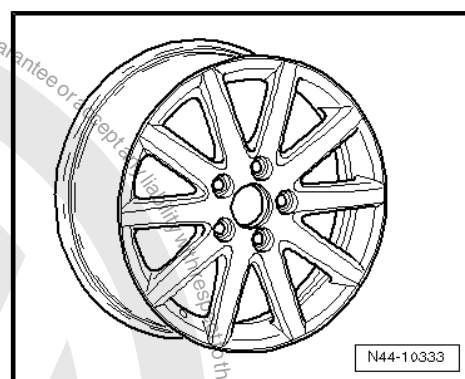
1K0 601 025 AJ - Wheel and tyre combination ⇒ page 166

Size:	6 ¹ / ₂ J x 16
Wheel offset in mm:	50
Wheel load in kg:	615



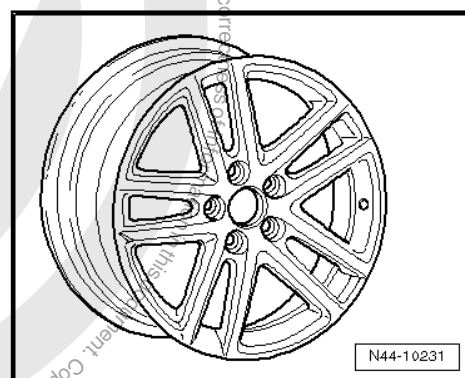
1K0 601 025 BC - Wheel and tyre combination ⇒ page 166

Size:	6 ¹ / ₂ J x 16
Wheel offset in mm:	50
Wheel load in kg:	615



1K0 601 025 BM - Wheel and tyre combination ⇒ page 166

Size:	6 ¹ / ₂ J x 16
Wheel offset in mm:	50
Wheel load in kg:	615





1K0 601 025 BR - Wheel and tyre combination ⇒ page 166

Size:	6 ¹ / ₂ J x 16
Wheel offset in mm:	50
Wheel load in kg:	615



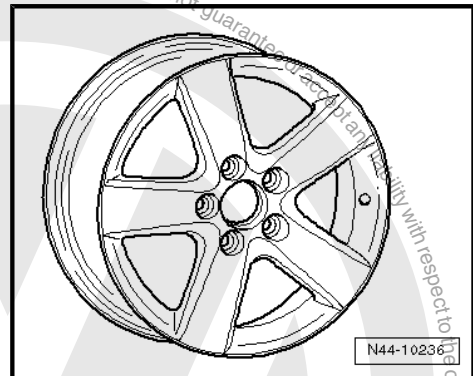
1K0 601 025 BS - Wheel and tyre combination ⇒ page 166

Size:	6 ¹ / ₂ J x 16
Wheel offset in mm:	50
Wheel load in kg:	615



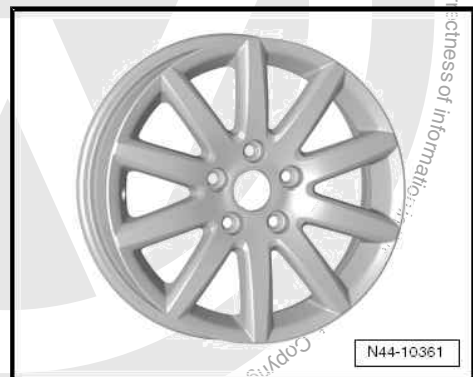
1K0 601 025 CB - Wheel and tyre combination ⇒ page 166

Size:	6 ¹ / ₂ J x 16
Wheel offset in mm:	50
Wheel load in kg:	615



1K0 601 025 CG - Wheel and tyre combination ⇒ page 166

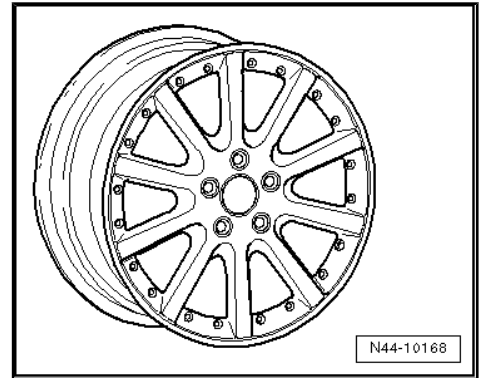
Size:	6 ¹ / ₂ J x 16
Wheel offset in mm:	50
Wheel load in kg:	615





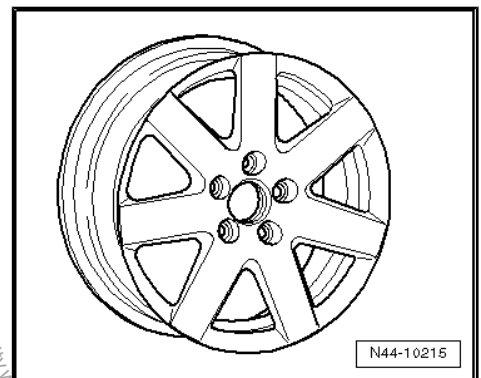
1K0 601 025 F - Wheel and tyre combination ⇒ page 166

Size:	6 ¹ / ₂ J x 16
Wheel offset in mm:	50
Wheel load in kg:	615



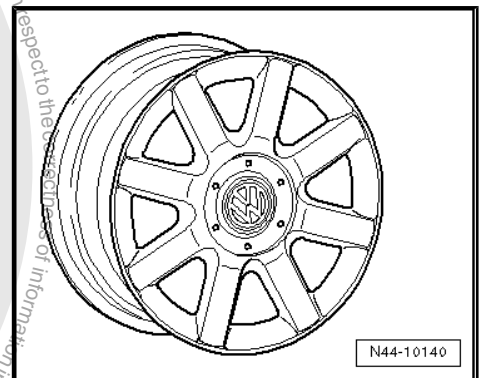
1K0 601 025 P - Wheel and tyre combination ⇒ page 166

Size:	6 ¹ / ₂ J x 16
Wheel offset in mm:	50
Wheel load in kg:	615



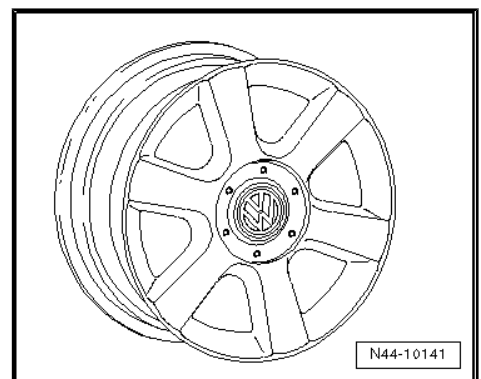
1K0 601 025 R - Wheel and tyre combination ⇒ page 166

Size:	6 ¹ / ₂ J x 16
Wheel offset in mm:	50
Wheel load in kg:	615



1T0 601 025 C - Wheel and tyre combination ⇒ page 166

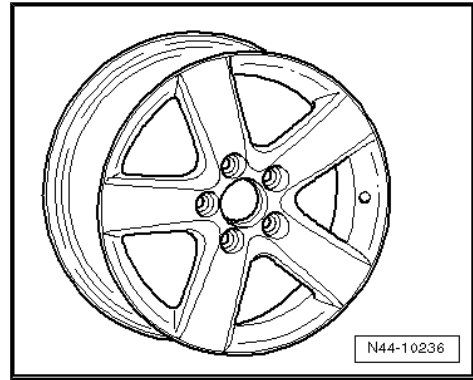
Size:	6 ¹ / ₂ J x 16
Wheel offset in mm:	50
Wheel load in kg:	615





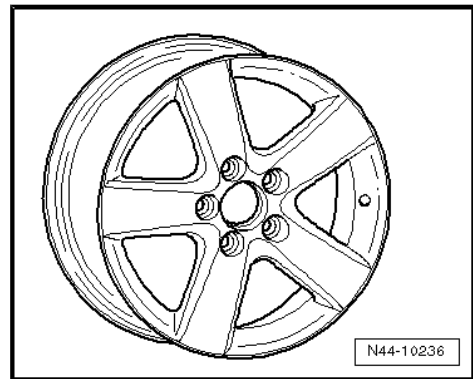
1T0 601 025 G, 1T0 601 025 K - Wheel and tyre combination
⇒ [page 166](#)

Size:	6 ¹ / ₂ J x 16
Wheel offset in mm:	50
Wheel load in kg:	615



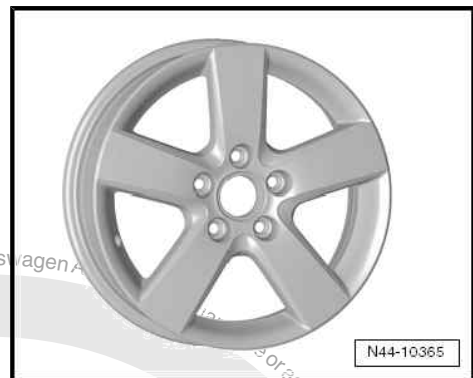
1T0 601 025 M - Wheel and tyre combination ⇒ [page 166](#)

Size:	6 ¹ / ₂ J x 16
Wheel offset in mm:	50
Wheel load in kg:	615



1T0 601 025 R - Wheel and tyre combination ⇒ [page 166](#)

Size:	6 ¹ / ₂ J x 16
Wheel offset in mm:	50
Wheel load in kg:	615



24.2.5 6 J x 17



Caution

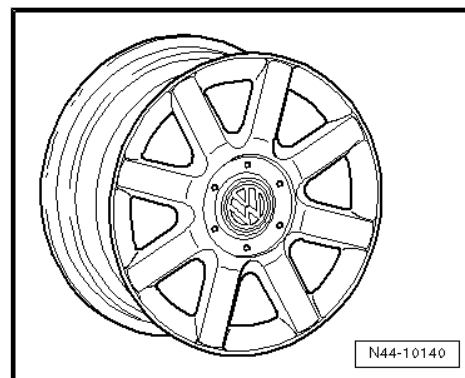
Observe the allocation of wheels and tyres to the respective engines, which are listed in the overview table ⇒ [page 166](#).




Winter wheel

1K0 601 025 N - Wheel and tyre combination ⇒ [page 166](#)

Size:	6 J x 17
Wheel offset in mm:	48.5
Wheel load in kg:	615

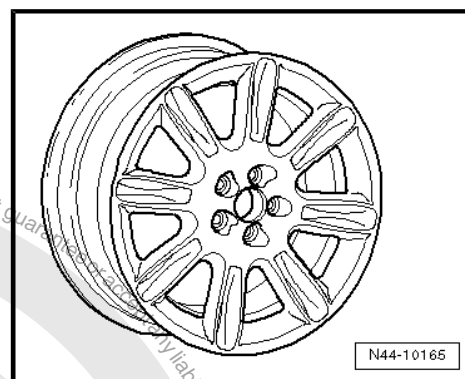


24.2.6 7 J x 17 offset 47


 **Caution**
Observe the allocation of wheels and tyres to the respective engines, which are listed in the overview table ⇒ [page 166](#) .

5M0 601 025 - Wheel and tyre combination ⇒ [page 166](#)

Size:	7 J x 17
Wheel offset in mm:	47
Wheel load in kg:	630

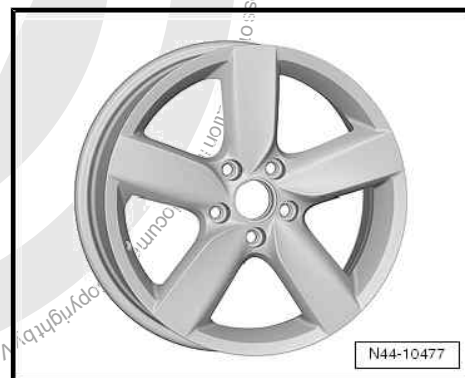


24.2.7 7 J x 17 offset 54

 **Caution**
Observe the allocation of wheels and tyres to the respective engines, which are listed in the overview table ⇒ [page 166](#) .

5K0 601 025 AA - Wheel and tyre combination ⇒ [page 203](#)

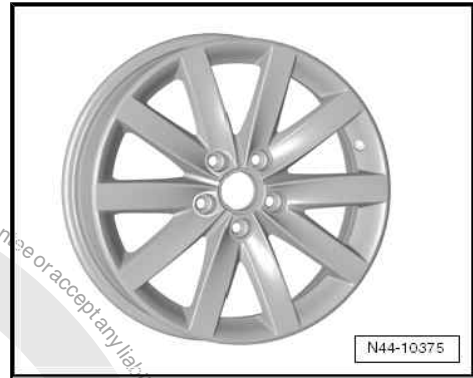
Size:	7 J x 17
Wheel offset in mm:	54
Wheel load in kg:	615





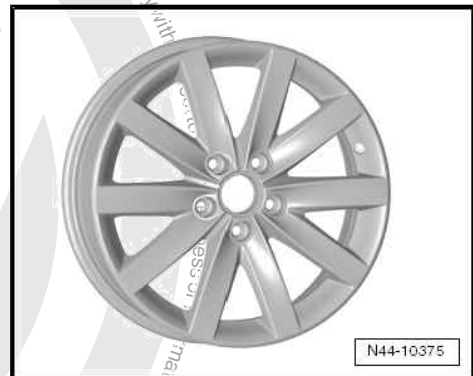
5K0 601 025 D - Wheel and tyre combination ⇒ page 203

Size:	7 J x 17
Wheel offset in mm:	54
Wheel load in kg:	615



5K0 601 025 F - Wheel and tyre combination ⇒ page 203

Size:	7 J x 17
Wheel offset in mm:	54
Wheel load in kg:	615



5K0 601 025 K - Wheel and tyre combination ⇒ page 203

Size:	7 J x 17
Wheel offset in mm:	54
Wheel load in kg:	615



**5K0 601 025 Q, 5K0 601 025 R - Wheel and tyre combination
⇒ page 203**

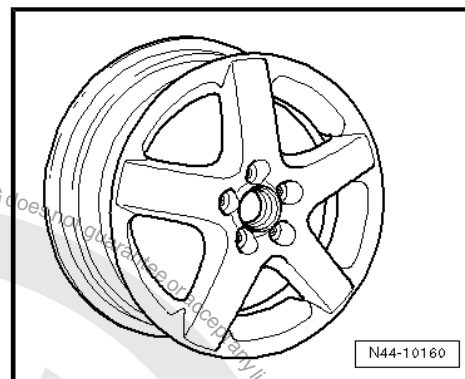
Size:	7 J x 17
Wheel offset in mm:	54
Wheel load in kg:	615





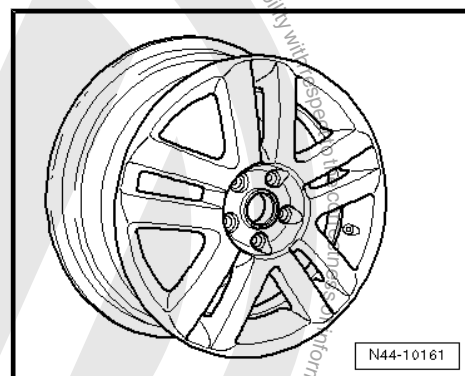
1K0 601 025 B - Wheel and tyre combination ⇒ [page 166](#)

Size:	7 J x 17
Wheel offset in mm:	54
Wheel load in kg:	615



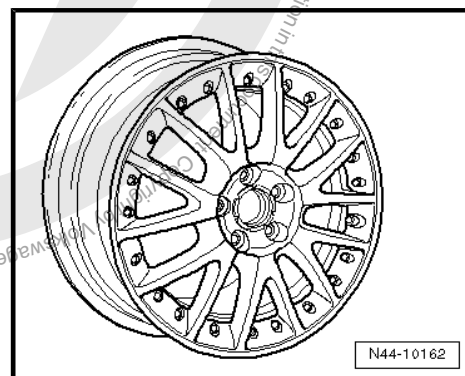
1K0 601 025 C - Wheel and tyre combination ⇒ [page 166](#)

Size:	7 J x 17
Wheel offset in mm:	54
Wheel load in kg:	615



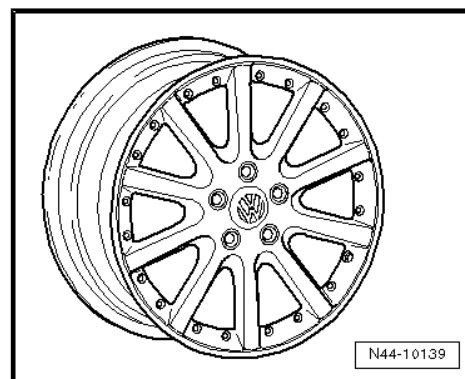
1K0 601 025 J - Wheel and tyre combination ⇒ [page 166](#)

Size:	7 J x 17
Wheel offset in mm:	54
Wheel load in kg:	615



1K0 601 025 K - Wheel and tyre combination ⇒ [page 166](#)

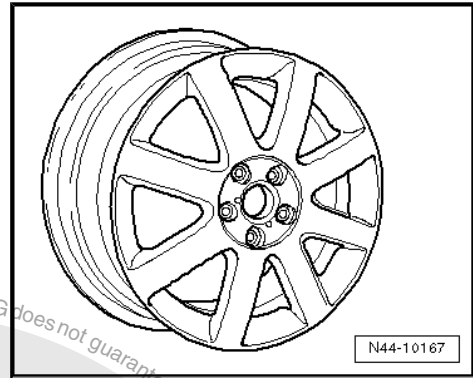
Size:	7 J x 17
Wheel offset in mm:	54
Wheel load in kg:	615





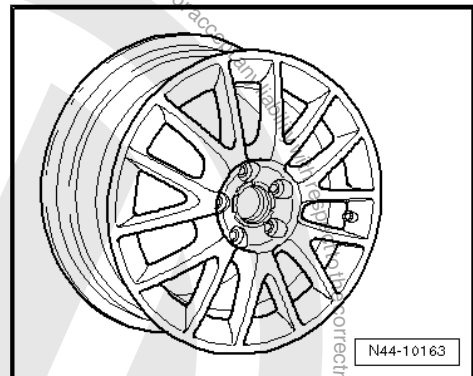
1K0 601 025 M - Wheel and tyre combination ⇒ page 166

Size:	7 J x 17
Wheel offset in mm:	54
Wheel load in kg:	615



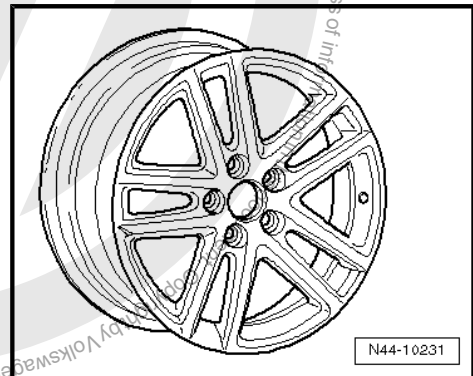
1K0 601 025 T - Wheel and tyre combination ⇒ page 166

Size:	7 J x 17
Wheel offset in mm:	54
Wheel load in kg:	615



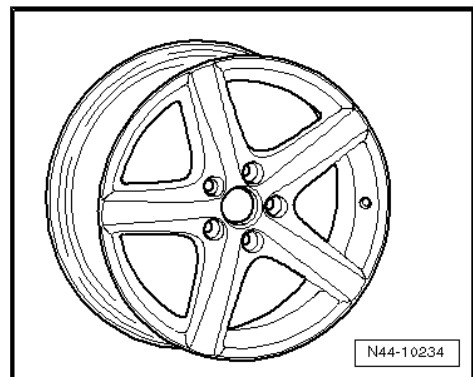
1K0 601 025 AF - Wheel and tyre combination ⇒ page 166

Size:	7 J x 17
Wheel offset in mm:	54
Wheel load in kg:	630



1K0 601 025 AE - Wheel and tyre combination ⇒ page 166

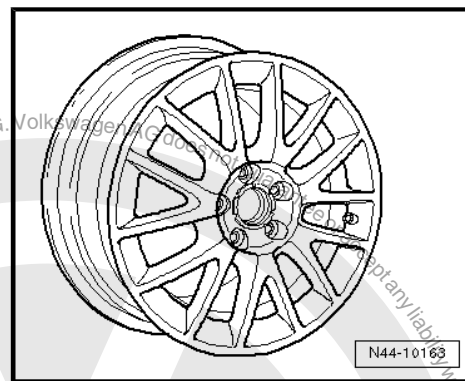
Size:	7 J x 17
Wheel offset in mm:	54
Wheel load in kg:	630





1K0 601 025 AN - Wheel and tyre combination ⇒ page 166

Size:	7 J x 17
Wheel offset in mm:	54
Wheel load in kg:	615

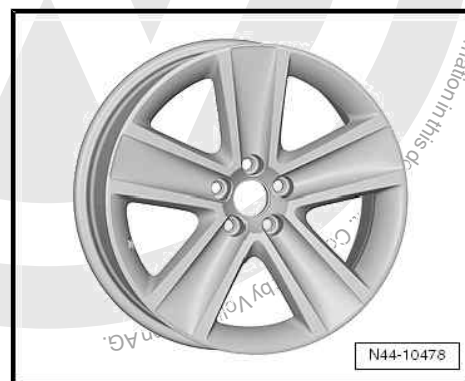


24.2.8 7¹/₂ J x 17

	Caution
<i>Observe the allocation of wheels and tyres to the respective engines, which are listed in the overview table ⇒ page 166 .</i>	

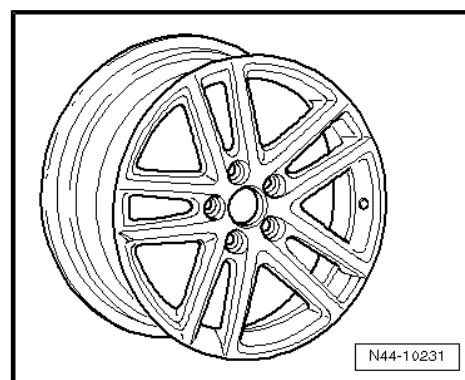
5M0 601 025 A - Wheel and tyre combination ⇒ page 166

Size:	7 ¹ / ₂ J x 17
Wheel offset in mm:	47
Wheel load in kg:	650



3C0 601 025 R - Wheel and tyre combination ⇒ page 166

Size:	7 ¹ / ₂ J x 17
Wheel offset in mm:	47
Wheel load in kg:	650





25 Golf Cabriolet from model year 2012

General

Volkswagen vehicles are built according to the latest findings in safety engineering. To keep it that way, we recommend the use of only genuine Volkswagen spare parts. You can recognise this by the VW Audi logo and by the part number. It has been established that these parts are reliable, safe and suitable.

Despite constant appraisal of the market, we cannot assess other products on these points, even when in isolated cases they have been passed by official inspectors or have been granted official approval. Therefore, we cannot, of course, assume any liability if these products are installed.



WARNING

The products from Volkswagen genuine parts and Volkswagen accessories may differ in fitting requirements, torque specifications and so on.

Always follow the respective fitting and operating instructions.

The wheel and tyre combinations or changes listed in the vehicle tables refer exclusively to Volkswagen Genuine wheels. Approval of wheel and tyre combinations or a change to wheels from the accessories trade is not possible with the certificate statement attached here.



WARNING

The fitting instructions and torque specifications for wheels from Volkswagen accessories may differ from those intended for wheels from Volkswagen genuine parts.

Therefore, always observe the torque settings for the wheel bolts as well as the respective fitting and operating instructions.

25.1 Golf Cabriolet, sales type 517 from model year 2012



Caution

The Golf Cabriolet will be listed according to the sales types and not the type approval model codes.

The type approval model code and the associated type approval number are listed as follows.

Golf Cabriolet, type approval code 1K

Appendix to certificate statement 8107901214

The certificate statement can be found on the Volkswagen ServiceNet under Accessories/Tyres, Wheels and Tyres, Wheels and Tyres Guide.



Type Approval No.: e1*2001/116*0242*37 to
e1*2001/116*0242*38

Overview

Model engine output	Tyres	Tyre size	Wheel rim	Off-set in mm	Snow chains	Remarks	
1.2l 77 kW petrol engine	Standard tyres	195/65 R 15 91T	6 J x 15 ⇒ page 184	47	Yes	General information on: ◆ Winter tyres ⇒ page 14 ◆ Snow chains ⇒ page 17	
	Modification	195/65 R 15 91H/V	6 J x 15 ⇒ page 184	47	Yes	Tyre makes recommended by Volkswagen: ◆ Summer tyres ⇒ page 470 ◆ All-season tyres ⇒ page 486 ◆ Winter tyres ⇒ page 495	
		195/65 R 15 91T/H/V	6 ¹ / ₂ J x 15 ⇒ page 185	50	Yes		
		205/60 R 15 91T/H/V	6 J x 15 ⇒ page 184	47	Yes		
		205/55 R 16 91T/H/V/W	6 ¹ / ₂ J x 16 ⇒ page 187	50	No		
		205/50 R 17 93T/H/V	6 J x 17 ⇒ page 192	48.5	Yes*** ⇒ page 183		
		225/45 R 17 91T/H/V/W	7 J x 17 ⇒ page 193	54	No		
		225/45 R 17 91T/H/V/W * ⇒ page 183	7 ¹ / ₂ J x 17 ⇒ page 196	51	No		* 225/45 R 17 91T/H/V/W tyres on 7 ¹ / ₂ J x 17 rims with an offset of 51 are permitted only on vehicles with sports running gear!
		225/40 R 18 92Y** ⇒ page 183	7 ¹ / ₂ J x 18 ⇒ page 198	51	No		** 225/40 R 18 92Y tyres on 7 ¹ / ₂ J x 18 rims with an offset of 51 are permitted only on vehicles with sports running gear and rear axle camber of -1°45'!
		Winter tyres	195/65 R 15 91Q/T/H	6 J x 15 ⇒ page 184	47		Yes
205/55 R 16 91Q/T/H	6 J x 16 ⇒ page 186		50	Yes			
205/50 R 17 93Q/T/H	6 J x 17 ⇒ page 192		48.5	Yes*** ⇒ page 183			



Model engine output	Tyres	Tyre size	Wheel rim	Off-set in mm	Snow chains	Remarks
1.4 I 118 kW; petrol engine	Standard tyres	205/55 R 16 91V	6 ¹ / ₂ J x 16 ⇒ page 187	50	No	
	Modification	205/50 R 17 93V/W	6 J x 17 ⇒ page 192	48.5	Yes*** ⇒ page 184	
		225/45 R 17 91V/W	7 J x 17 ⇒ page 193	54	No	
		225/45 R 17 91V/W * ⇒ page 184	7 ¹ / ₂ J x 17 ⇒ page 196	51	No	* 225/45 R 17 91V/W tyres on 7 ¹ / ₂ J x 17 rims with an offset of 51 are permitted only on vehicles with sports running gear!
		225/40 R 18 92Y** ⇒ page 184	7 ¹ / ₂ J x 18 ⇒ page 198	51	No	** 225/40 R 18 92Y tyres on 7 ¹ / ₂ J x 18 rims with an offset of 51 are permitted only on vehicles with sports running gear and rear axle camber of -1°45'!
	Winter tyres	205/55 R 16 91Q/T/H	6 J x 16 ⇒ page 186	50	Yes	*** Only snow chains with fine links of no more than 8 mm may be used ⇒ Electronic parts catalogue „ETKA - Accessories catalogue“ .
		205/50 R 17 93Q/T/H	6 J x 17 ⇒ page 192	48.5	Yes*** ⇒ page 184	

Tyre pressures are printed on the tyre inflation pressure label, which can be found on the inside of the tank flap and on the driver's B-pillar.

25.2 Wheel allocation Golf Cabriolet, sales type 517 from model year 2012

Golf Cabriolet, type approval code 1K

Explanation of information on wheels ⇒ [page 49](#)

Torque settings for wheel bolts ⇒ Running gear, axles, steering;
Rep. gr. 44 ; Torque settings for fitting wheels

Pitch circle diameter: 112 mm

Number of wheel bolt holes: 5

25.2.1 6 J x 15



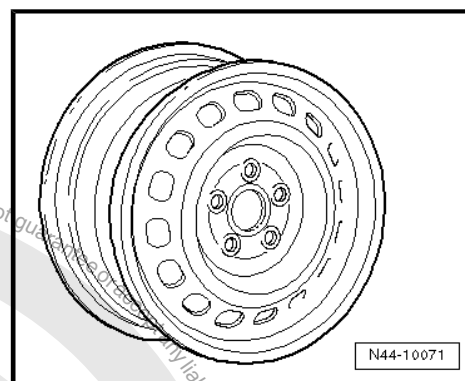
Caution

Observe the allocation of wheels and tyres to the respective engines, which are listed in the overview table ⇒ [page 183](#) .



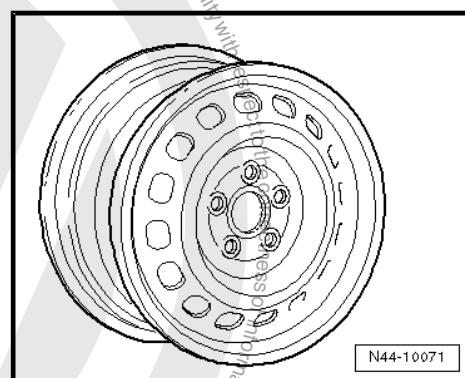
1K0 601 027 H, 1K0 601 027 AG - Wheel and tyre combination
 ⇒ [page 183](#)

Size:	6 J x 15
Wheel offset in mm:	47
Wheel load in kg:	615



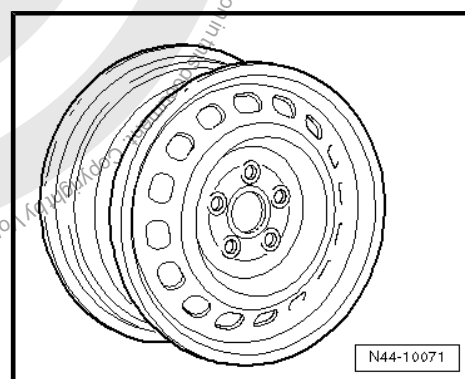
1K0 601 027 C, 1K0 601 027 T - Wheel and tyre combination
 ⇒ [page 183](#)

Size:	6 J x 15
Wheel offset in mm:	47
Wheel load in kg:	615




2K0 601 027 - Wheel and tyre combination ⇒ [page 183](#)

Size:	6 J x 15
Wheel offset in mm:	47
Wheel load in kg:	650



25.2.2 6¹/₂ J x 15

	<p>Caution</p> <p><i>Observe the allocation of wheels and tyres to the respective engines, which are listed in the overview table ⇒ page 183 .</i></p>
---	---

5K0 601 025 J - Wheel and tyre combination ⇒ [page 183](#)

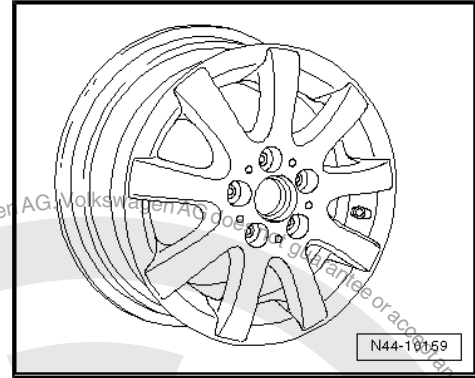
Size:	6 ¹ / ₂ J x 15
Wheel offset in mm:	50
Wheel load in kg:	600





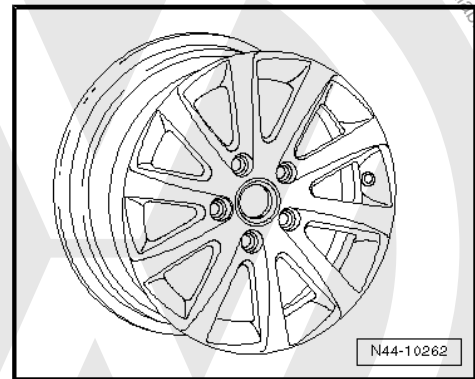
1K0 601 025 A - Wheel and tyre combination ⇒ page 183

Size:	6 ¹ / ₂ J x 15
Wheel offset in mm:	50
Wheel load in kg:	600



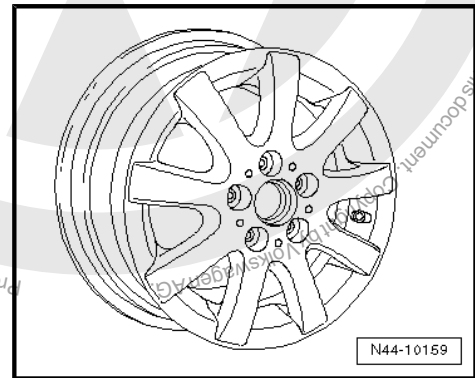
1K0 601 025 AK - Wheel and tyre combination ⇒ page 183

Size:	6 ¹ / ₂ J x 15
Wheel offset in mm:	50
Wheel load in kg:	600



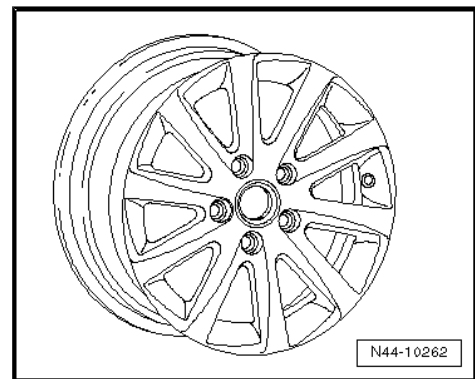
1K0 601 025 AQ - Wheel and tyre combination ⇒ page 183

Size:	6 ¹ / ₂ J x 15
Wheel offset in mm:	50
Wheel load in kg:	600



1K0 601 025 CA - Wheel and tyre combination ⇒ page 183

Size:	6 ¹ / ₂ J x 15
Wheel offset in mm:	50
Wheel load in kg:	600



25.2.3 6 J x 16



Caution

Observe the allocation of wheels and tyres to the respective engines, which are listed in the overview table ⇒ page 183.



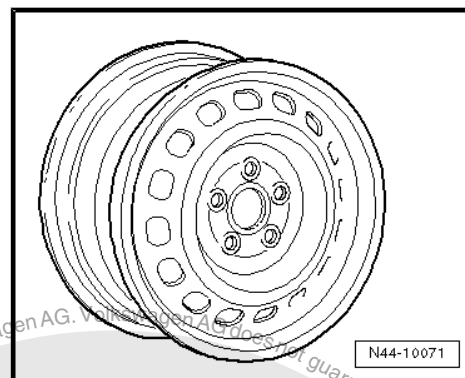
Winter wheels

8P0 601 027 - Wheel and tyre combination ⇒ page 183

Size:	6 J x 16
Wheel offset in mm:	50
Wheel load in kg:	600

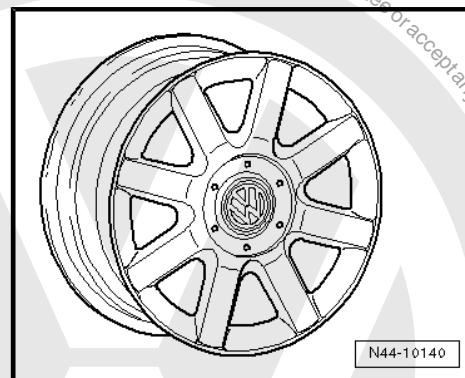
Use the following wheel bolt caps for wheel bolts:

- ◆ 1K0.601.173 (4 per wheel)
- ◆ 1K0.601.173.A (1 per wheel)



1K0 601 025 Q - Wheel and tyre combination ⇒ page 183

Size:	6 J x 16 EH2 ⇒ page 49
Wheel offset in mm:	50
Wheel load in kg:	615

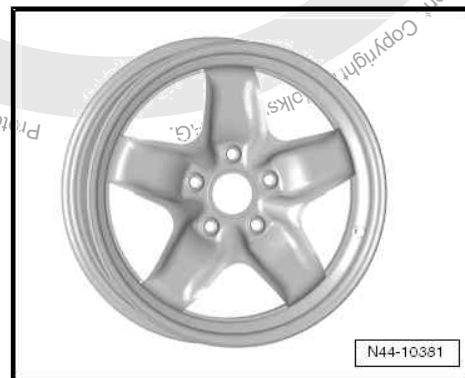


25.2.4 6¹/₂ J x 16

	<p>Caution</p> <p><i>Observe the allocation of wheels and tyres to the respective engines, which are listed in the overview table ⇒ page 183 .</i></p>
--	---

5K0 601 027 - Wheel and tyre combination ⇒ page 183

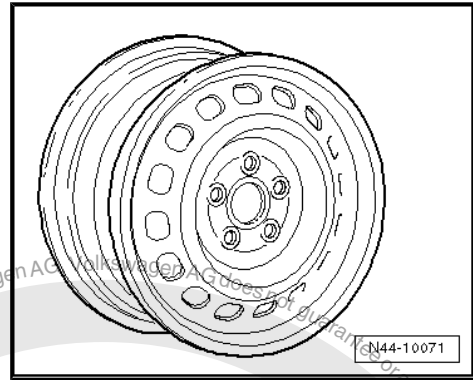
Size:	6 ¹ / ₂ J x 16
Wheel offset in mm:	50
Wheel load in kg:	615





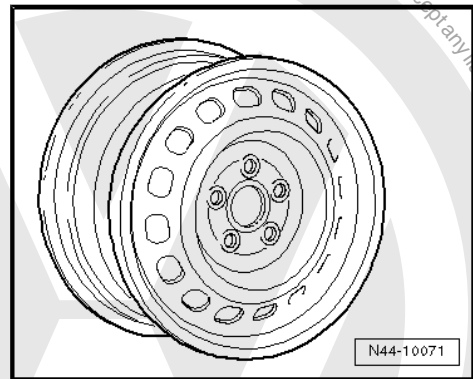
1K0 601 027 A, 1K0 601 027 AH - Wheel and tyre combination
⇒ [page 183](#)

Size:	6 ¹ / ₂ J x 16
Wheel offset in mm:	50
Wheel load in kg:	615



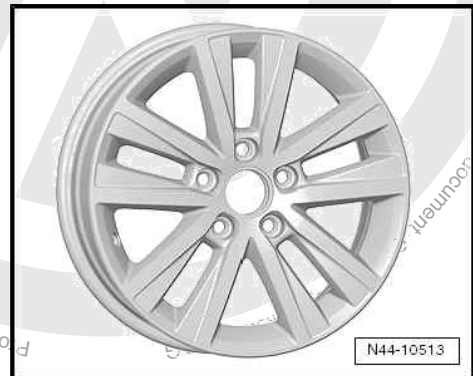
1K0 601 027 J, 1K0 601 027 K - Wheel and tyre combination
⇒ [page 183](#)

Size:	6 ¹ / ₂ J x 16
Wheel offset in mm:	50
Wheel load in kg:	615



5K0 601 025 AE - Wheel and tyre combination ⇒ [page 183](#)

Size:	6 ¹ / ₂ J x 16
Wheel offset in mm:	50
Wheel load in kg:	615



5K0 601 025 E - Wheel and tyre combination ⇒ [page 183](#)

Size:	6 ¹ / ₂ J x 16
Wheel offset in mm:	50
Wheel load in kg:	615





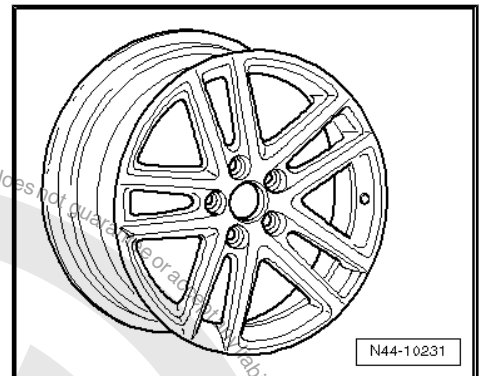
5K0 601 025 S - Wheel and tyre combination ⇒ page 183

Size:	6 ¹ / ₂ J x 16
Wheel offset in mm:	50
Wheel load in kg:	615



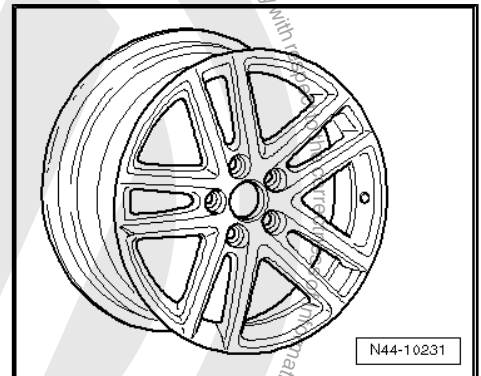
1K0 601 025 BM - Wheel and tyre combination ⇒ page 183

Size:	6 ¹ / ₂ J x 16
Wheel offset in mm:	50
Wheel load in kg:	615



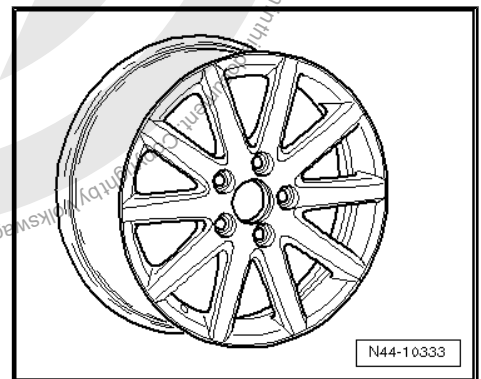
1K0 601 025 AJ - Wheel and tyre combination ⇒ page 183

Size:	6 ¹ / ₂ J x 16
Wheel offset in mm:	50
Wheel load in kg:	615



1K0 601 025 BC - Wheel and tyre combination ⇒ page 183

Size:	6 ¹ / ₂ J x 16
Wheel offset in mm:	50
Wheel load in kg:	615





1K0 601 025 BR - Wheel and tyre combination ⇒ page 183

Size:	6 ¹ / ₂ J x 16
Wheel offset in mm:	50
Wheel load in kg:	615



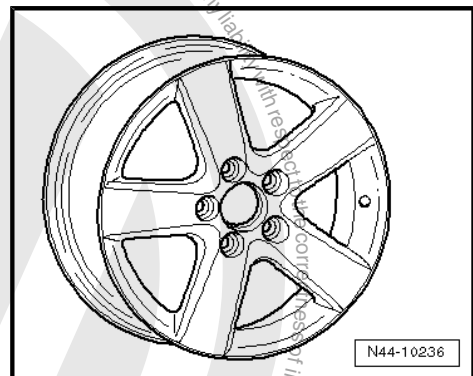
1K0 601 025 BS - Wheel and tyre combination ⇒ page 183

Size:	6 ¹ / ₂ J x 16
Wheel offset in mm:	50
Wheel load in kg:	615



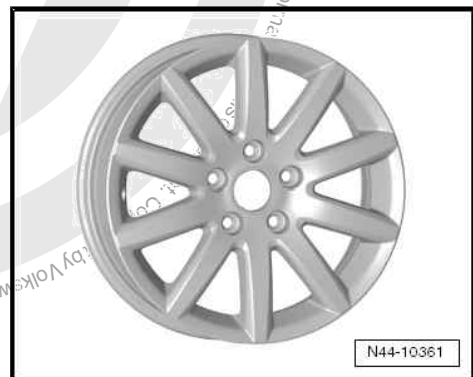
1K0 601 025 CB - Wheel and tyre combination ⇒ page 183

Size:	6 ¹ / ₂ J x 16
Wheel offset in mm:	50
Wheel load in kg:	615



1K0 601 025 CG - Wheel and tyre combination ⇒ page 183

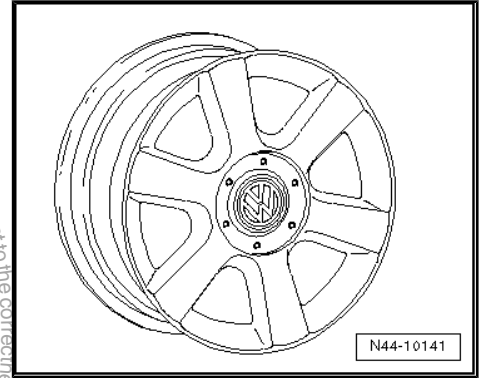
Size:	6 ¹ / ₂ J x 16
Wheel offset in mm:	50
Wheel load in kg:	615





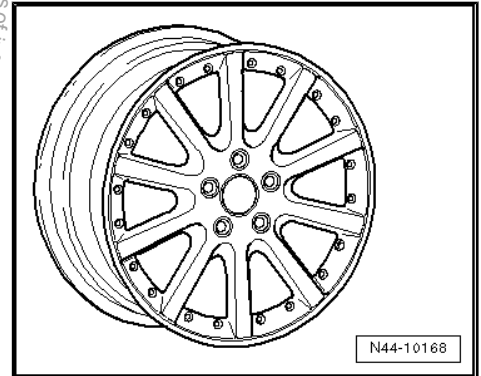
1T0 601 025 C - Wheel and tyre combination ⇒ page 183

Size:	6 ¹ / ₂ J x 16
Wheel offset in mm:	50
Wheel load in kg:	615



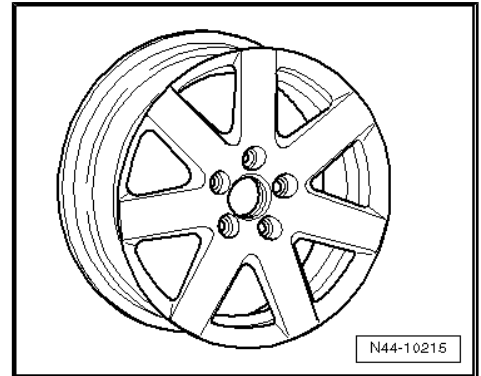
1K0 601 025 F - Wheel and tyre combination ⇒ page 183

Size:	6 ¹ / ₂ J x 16
Wheel offset in mm:	50
Wheel load in kg:	615



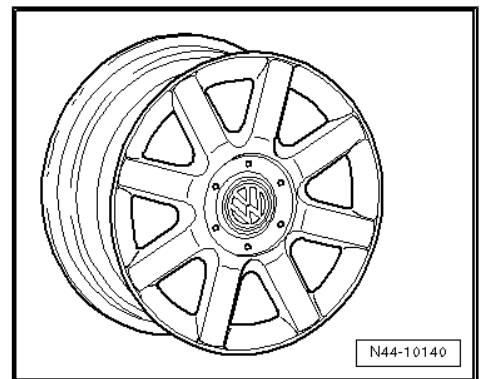
1K0 601 025 P - Wheel and tyre combination ⇒ page 183

Size:	6 ¹ / ₂ J x 16
Wheel offset in mm:	50
Wheel load in kg:	615



1K0 601 025 R - Wheel and tyre combination ⇒ page 183

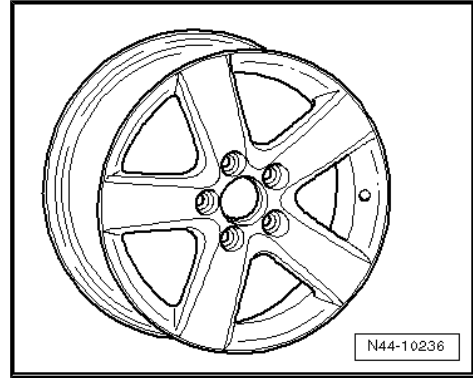
Size:	6 ¹ / ₂ J x 16
Wheel offset in mm:	50
Wheel load in kg:	615





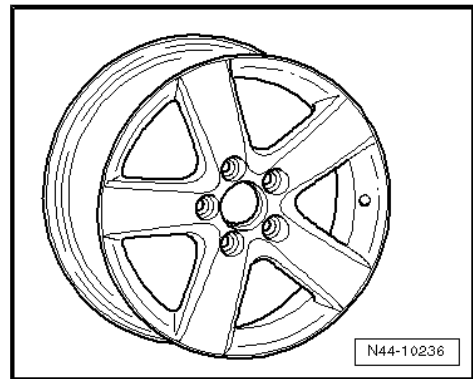
1T0 601 025 G, 1T0 601 025 K - Wheel and tyre combination
⇒ [page 183](#)

Size:	6 ¹ / ₂ J x 16
Wheel offset in mm:	50
Wheel load in kg:	615



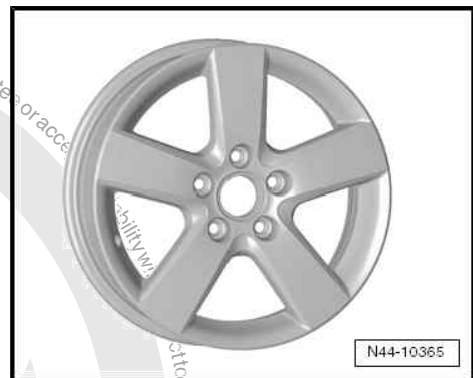
1T0 601 025 M - Wheel and tyre combination ⇒ [page 183](#)

Size:	6 ¹ / ₂ J x 16
Wheel offset in mm:	50
Wheel load in kg:	615



1T0 601 025 R - Wheel and tyre combination ⇒ [page 183](#)

Size:	6 ¹ / ₂ J x 16
Wheel offset in mm:	50
Wheel load in kg:	615



25.2.5 6 J x 17



Caution

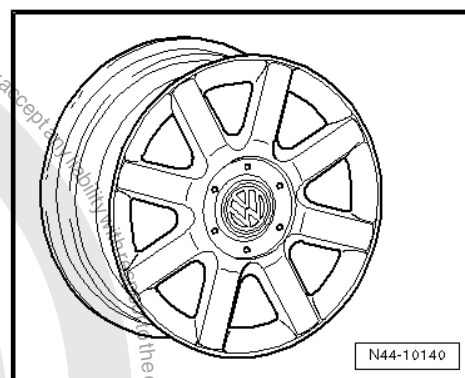
Observe the allocation of wheels and tyres to the respective engines, which are listed in the overview table ⇒ [page 183](#).



Winter wheel

1K0 601 025 N - Wheel and tyre combination ⇒ page 183

Size:	6 J x 17
Wheel offset in mm:	48.5
Wheel load in kg:	615



25.2.6 7 J x 17

⚠ Caution
Observe the allocation of wheels and tyres to the respective engines, which are listed in the overview table ⇒ page 183 .

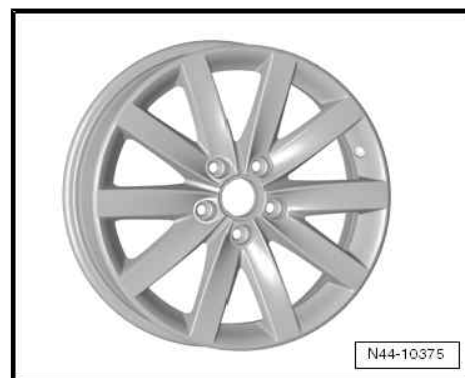
5K0 601 025 D - Wheel and tyre combination ⇒ page 183

Size:	7 J x 17
Wheel offset in mm:	54
Wheel load in kg:	615



5K0 601 025 F - Wheel and tyre combination ⇒ page 183

Size:	7 J x 17
Wheel offset in mm:	54
Wheel load in kg:	615





5K0 601 025 K - Wheel and tyre combination ⇒ page 183

Size:	7 J x 17
Wheel offset in mm:	54
Wheel load in kg:	615



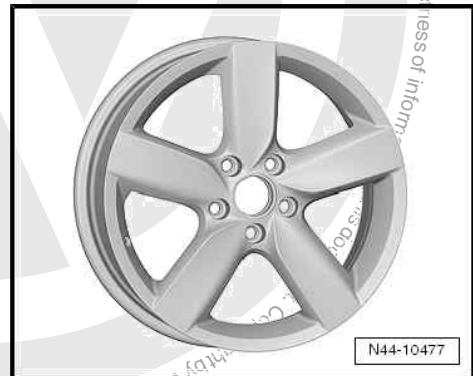
5K0 601 025 Q, 5K0 601 025 R - Wheel and tyre combination ⇒ page 183

Size:	7 J x 17
Wheel offset in mm:	54
Wheel load in kg:	615



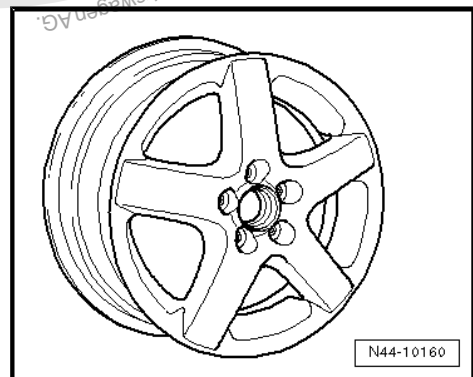
5K0 601 025 AA - Wheel and tyre combination ⇒ page 183

Size:	7 J x 17
Wheel offset in mm:	54
Wheel load in kg:	615



1K0 601 025 B - Wheel and tyre combination ⇒ page 183

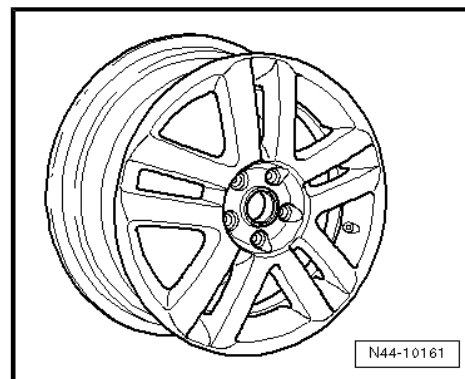
Size:	7 J x 17
Wheel offset in mm:	54
Wheel load in kg:	615





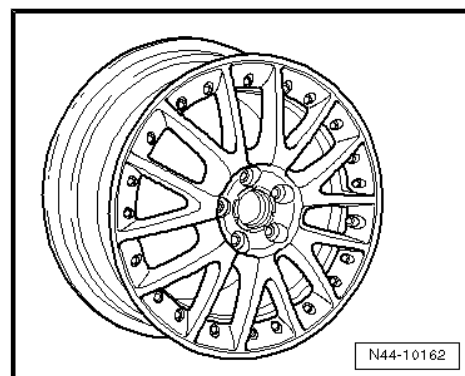
1K0 601 025 C - Wheel and tyre combination ⇒ page 183

Size:	7 J x 17
Wheel offset in mm:	54
Wheel load in kg:	615



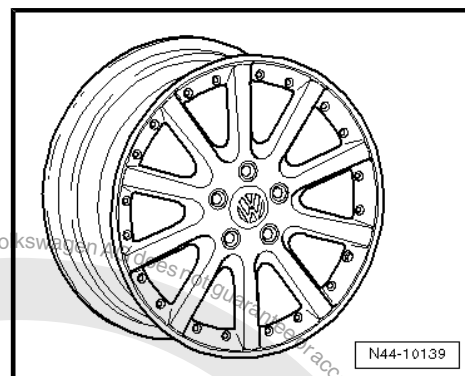
1K0 601 025 J - Wheel and tyre combination ⇒ page 183

Size:	7 J x 17
Wheel offset in mm:	54
Wheel load in kg:	615



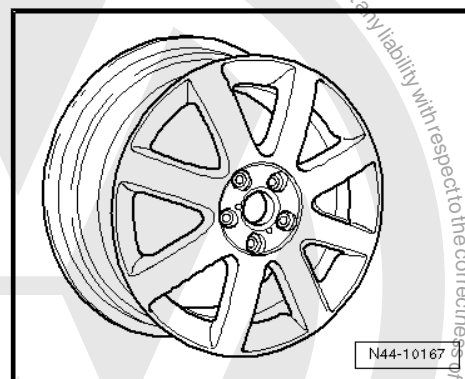
1K0 601 025 K - Wheel and tyre combination ⇒ page 183

Size:	7 J x 17
Wheel offset in mm:	54
Wheel load in kg:	615



1K0 601 025 M - Wheel and tyre combination ⇒ page 183

Size:	7 J x 17
Wheel offset in mm:	54
Wheel load in kg:	615

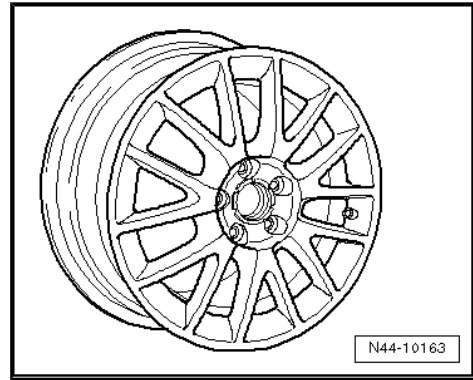


Protected by copyright. Copying for private or commercial purposes, in part or in whole, is not permitted unless authorised by Volkswagen AG. Volkswagen AG. Accepts no liability with respect to the correctness of information in this document. Copyright by Volkswagen AG.



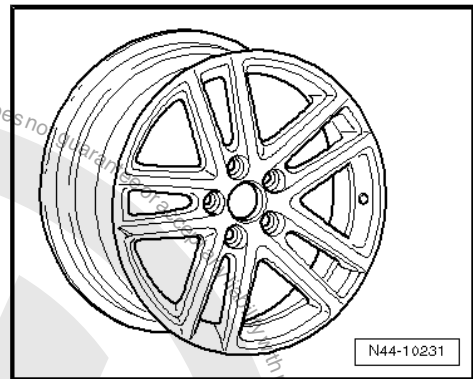
1K0 601 025 T - Wheel and tyre combination ⇒ page 183

Size:	7 J x 17
Wheel offset in mm:	54
Wheel load in kg:	615



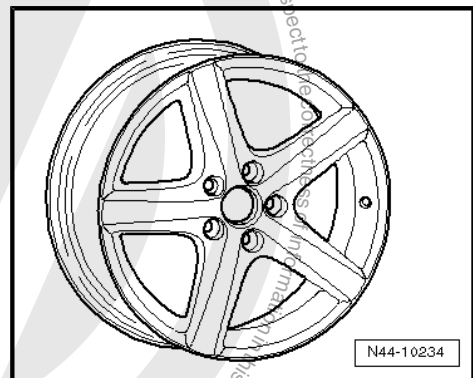
1K0 601 025 AF - Wheel and tyre combination ⇒ page 183

Size:	7 J x 17
Wheel offset in mm:	54
Wheel load in kg:	630



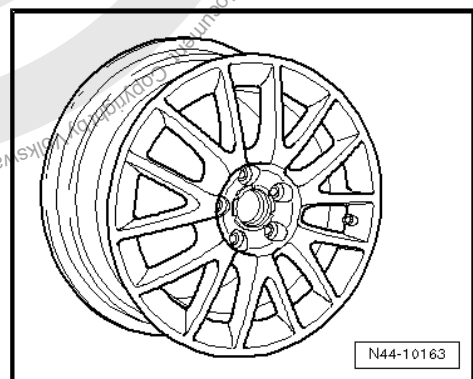
1K0 601 025 AE - Wheel and tyre combination ⇒ page 183

Size:	7 J x 17
Wheel offset in mm:	54
Wheel load in kg:	630



1K0 601 025 AN - Wheel and tyre combination ⇒ page 183

Size:	7 J x 17
Wheel offset in mm:	54
Wheel load in kg:	615



25.2.7 7 1/2 J x 17



Caution

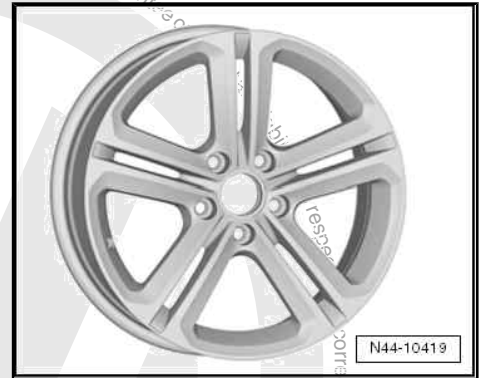
Observe the allocation of wheels and tyres to the respective engines, which are listed in the overview table ⇒ page 183 .



5K0 601 025 N - Wheel and tyre combination ⇒ page 183

Only vehicles with sports running gear

Size:	7 ¹ / ₂ J x 17
Wheel offset in mm:	51
Wheel load in kg:	630



5K0 601 025 G - Wheel and tyre combination ⇒ page 183

Only vehicles with sports running gear

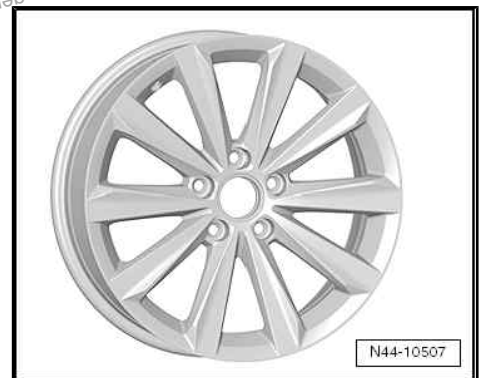
Size:	7 ¹ / ₂ J x 17
Wheel offset in mm:	51
Wheel load in kg:	630



5K0 601 025 AD - Wheel and tyre combination ⇒ page 183

Only vehicles with sports running gear

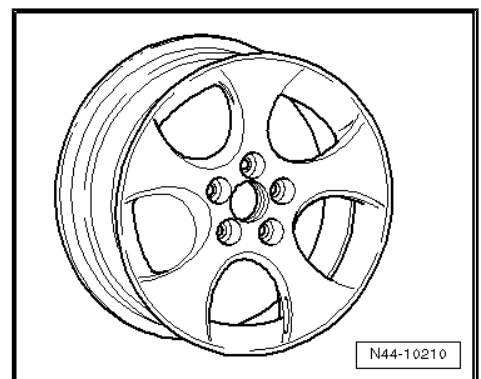
Size:	7 ¹ / ₂ J x 17
Wheel offset in mm:	51
Wheel load in kg:	630



1K0 601 025 BB - Wheel and tyre combination ⇒ page 183

Only vehicles with sports running gear

Size:	7 ¹ / ₂ J x 17
Wheel offset in mm:	51
Wheel load in kg:	615

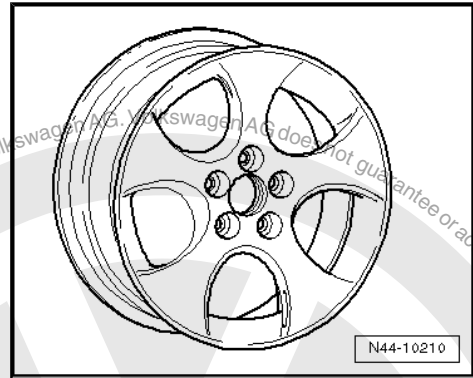




1K0 601 025 AC - Wheel and tyre combination ⇒ page 183

Only vehicles with sports running gear

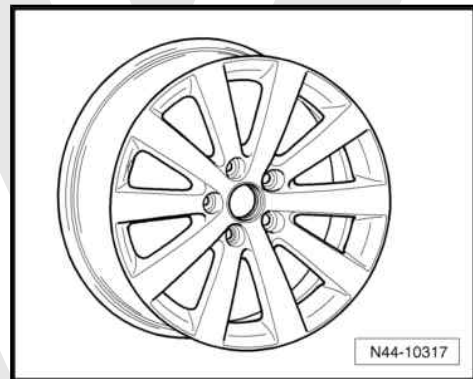
Size:	7 ¹ / ₂ J x 17
Wheel offset in mm:	51
Wheel load in kg:	615



1K0 601 025 BK - Wheel and tyre combination ⇒ page 183

Only vehicles with sports running gear

Size:	7 ¹ / ₂ J x 17
Wheel offset in mm:	51
Wheel load in kg:	615



25.2.8 7¹/₂ J x 18



Caution

Observe the allocation of wheels and tyres to the respective engines, which are listed in the overview table ⇒ page 183.

5K0 601 025 AF, 5K0 601 025 AG - Wheel and tyre combination ⇒ page 183

Only for vehicles with sports running gear and rear axle camber of -1°45'

Size:	7 ¹ / ₂ J x 18
Wheel offset in mm:	51
Wheel load in kg:	615



5K0 601 025 H - Wheel and tyre combination ⇒ page 183

Only for vehicles with sports running gear and rear axle camber of -1°45'

Size:	7 ¹ / ₂ J x 18
Wheel offset in mm:	51
Wheel load in kg:	630





5K0 601 025 L - Wheel and tyre combination ⇒ page 183

Only for vehicles with sports running gear and rear axle camber of -1°45'

Size:	7 ¹ / ₂ J x 18
Wheel offset in mm:	51
Wheel load in kg:	615



5K0 601 025 P - Wheel and tyre combination ⇒ page 183

Only for vehicles with sports running gear and rear axle camber of -1°45'

Size:	7 ¹ / ₂ J x 18
Wheel offset in mm:	51
Wheel load in kg:	630



5K0 601 025 AC - Wheel and tyre combination ⇒ page 183

Only for vehicles with sports running gear and rear axle camber of -1°45'

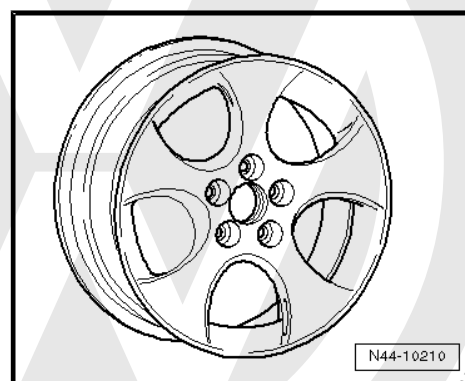
Size:	7 ¹ / ₂ J x 18
Wheel offset in mm:	51
Wheel load in kg:	630



1K0 601 025 BA - Wheel and tyre combination ⇒ page 183

Only for vehicles with sports running gear and rear axle camber of -1°45'

Size:	7 ¹ / ₂ J x 18
Wheel offset in mm:	51
Wheel load in kg:	615

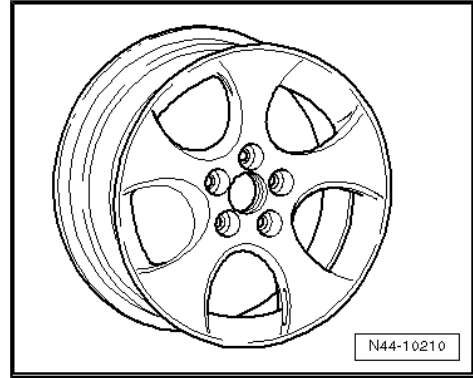




1K0 601 025 AH - Wheel and tyre combination ⇒ [page 183](#)

Only for vehicles with sports running gear and rear axle camber of $-1^{\circ}45'$

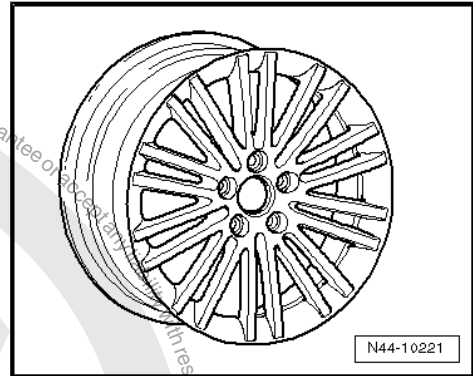
Size:	7 $\frac{1}{2}$ J x 18
Wheel offset in mm:	51
Wheel load in kg:	615



1K0 601 025 AD - Wheel and tyre combination ⇒ [page 183](#)

Only for vehicles with sports running gear and rear axle camber of $-1^{\circ}45'$

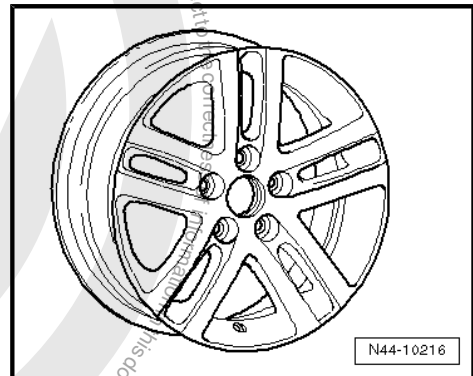
Size:	7 $\frac{1}{2}$ J x 18
Wheel offset in mm:	51
Wheel load in kg:	630



1K0 601 025 AG - Wheel and tyre combination ⇒ [page 183](#)

Only for vehicles with sports running gear and rear axle camber of $-1^{\circ}45'$

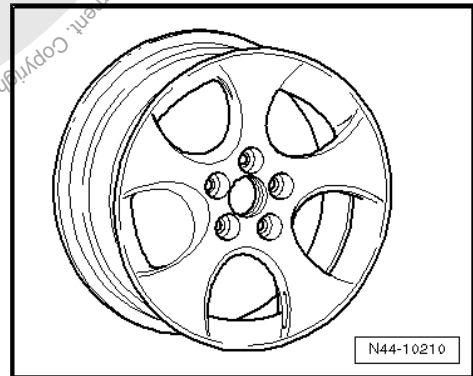
Size:	7 $\frac{1}{2}$ J x 18
Wheel offset in mm:	51
Wheel load in kg:	630



1K0 601 025 AM - Wheel and tyre combination ⇒ [page 183](#)

Only for vehicles with sports running gear and rear axle camber of $-1^{\circ}45'$

Size:	7 $\frac{1}{2}$ J x 18
Wheel offset in mm:	51
Wheel load in kg:	615

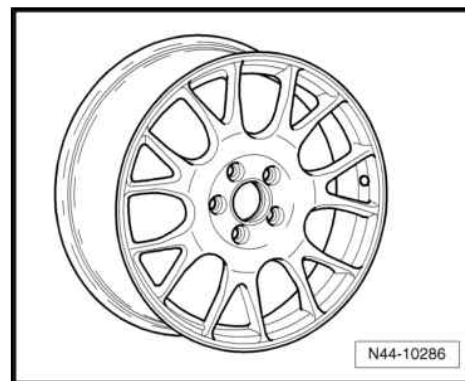




1K0 601 025 AT, 1K0 601 025 CC - Wheel and tyre combination
 ⇒ [page 183](#)

Only for vehicles with sports running gear and rear axle camber of -1°45'

Size:	7 ¹ / ₂ J x 18
Wheel offset in mm:	51
Wheel load in kg:	615



1K0 601 025 BE - Wheel and tyre combination ⇒ [page 183](#)

Only for vehicles with sports running gear and rear axle camber of -1°45'

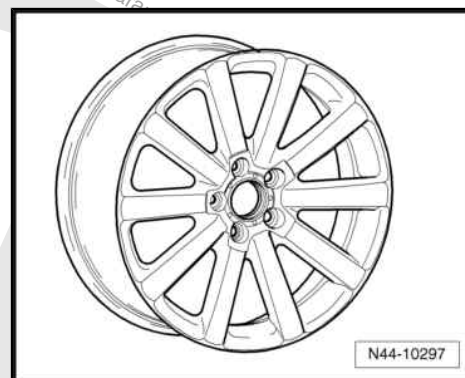
Size:	7 ¹ / ₂ J x 18
Wheel offset in mm:	51
Wheel load in kg:	615



1K0 601 025 BL - Wheel and tyre combination ⇒ [page 183](#)

Only for vehicles with sports running gear and rear axle camber of -1°45'

Size:	7 ¹ / ₂ J x 18
Wheel offset in mm:	51
Wheel load in kg:	615



Protected by copyright. Copying for private or commercial purposes, in part or in whole, is not permitted unless authorised by Volkswagen AG. Volkswagen AG does not guarantee the accuracy of information in this document. Copyright by Volkswagen AG.



26 Golf Plus from model year 2009

General

Volkswagen vehicles are built according to the latest findings in safety engineering. To keep it that way, we recommend the use of only genuine Volkswagen spare parts. You can recognise this by the VW Audi logo and by the part number. It has been established that these parts are reliable, safe and suitable.

Despite constant appraisal of the market, we cannot assess other products on these points, even when in isolated cases they have been passed by official inspectors or have been granted official approval. Therefore, we cannot, of course, assume any liability if these products are installed.



WARNING

The products from Volkswagen genuine parts and Volkswagen accessories may differ in fitting requirements, torque specifications and so on.

Always follow the respective fitting and operating instructions.

The wheel and tyre combinations or changes listed in the vehicle tables refer exclusively to Volkswagen Genuine wheels. Approval of wheel and tyre combinations or a change to wheels from the accessories trade is not possible with the certificate statement attached here.



WARNING

The fitting instructions and torque specifications for wheels from Volkswagen accessories may differ from those intended for wheels from Volkswagen genuine parts.

Therefore, always observe the torque settings for the wheel bolts as well as the respective fitting and operating instructions.

26.1 Golf Plus, sales type 521 model year 2009 to model year 2011



Caution

The Golf Plus will be listed according to the sales types and not by the type approval model codes.

The type approval model code and the associated type approval number are listed as follows.



Caution

*Observe wheel and tyre combinations for vehicles from type approval number: e1*2001/116*0304*21 → [page 205](#).*

Golf Plus, type approval code 1KP

Appendix to certificate statement 8107901214

The certificate statement can be found on the Volkswagen ServiceNet under Accessories/Tyres, Wheels and Tyres, Wheels and Tyres Guide.



Type Approval No.: e1*2001/116*0304*14 to
e1*2001/116*0304*20

Overview

Model engine output	Tyres	Tyre size	Wheel rim	Off-set in mm	Snow chains	Remarks
1.2l 63 kW; 1.2l 77 kW; 1.4l 59 kW; 1.6l 75 kW; petrol engines 1.6l 75 kW; FlexFuel (bioethanol E85) 1.6l 75 kW BiFuel (autogas LPG) 1.6l 66 kW TDI; 1.6l 77 kW TDI diesel engine	Standard tyres	195/65 R 15 91T	6 J x 15 ⇒ page 211	47	Yes	General information on: ♦ Winter tyres ⇒ page 14 ♦ Snow chains ⇒ page 17 Tyre makes recommended by Volkswagen: ♦ Summer tyres ⇒ page 471 ♦ All-season tyres ⇒ page 486 ♦ Winter tyres ⇒ page 495 * 225/40 R 18 92Y tyres on 7 ¹ / ₂ J x 18 rims with an offset of 51 are permitted only on vehicles with sports running gear and rear axle camber of -1°45'!
	Modification	195/65 R 15 91H/V	6 J x 15 ⇒ page 211	47	Yes	
		195/65 R 15 91T/H/V	6 ¹ / ₂ J x 15 ⇒ page 212	50	Yes	
		205/60 R 15 91T/H/V	6 J x 15 ⇒ page 211	47	Yes	
		205/55 R 16 91T/H/V/W	6 ¹ / ₂ J x 16 ⇒ page 213	50	No	
		225/45 R 17 91T/H/V/W	7 J x 17 ⇒ page 219	54	No	
		225/40 R 18 92Y* ⇒ page 203	7 ¹ / ₂ J x 18 ⇒ page 224	51	No	
	Winter tyres	195/65 R 15 91Q/T/H	6 J x 15 ⇒ page 211	47	Yes	
		205/55 R 16 91Q/T/H	6 J x 16 ⇒ page 213	50	Yes	
1.4l 90 kW petrol engine 2.0l 81 kW; 2.0l 100 kW; 2.0l 103 kW diesel engine	Standard tyres	195/65 R 15 91H	6 J x 15 ⇒ page 211	47	Yes	
	Modification	195/65 R 15 91V	6 J x 15 ⇒ page 211	47	Yes	
		195/65 R 15 91H/V	6 ¹ / ₂ J x 15 ⇒ page 212	50	Yes	



Model engine output	Tyres	Tyre size	Wheel rim	Off-set in mm	Snow chains	Remarks
		205/60 R 15 91H/V	6 J x 15 ⇒ page 211	47	Yes	* 225/40 R 18 92Y tyres on 7 ¹ / ₂ J x 18 rims with an offset of 51 are permitted only on vehicles with sports running gear and rear axle camber of -1°45'!
		205/55 R 16 91H/V/W	6 ¹ / ₂ J x 16 ⇒ page 213	50	No	
		225/45 R 17 91H/V/W	7 J x 17 ⇒ page 219	54	No	
		225/40 R 18 92Y* ⇒ page 204	7 ¹ / ₂ J x 18 ⇒ page 224	51	No	
	Winter tyres	195/65 R 15 91Q/T/H	6 J x 15 ⇒ page 211	47	Yes	
		205/55 R 16 91Q/T/H	6 J x 16 ⇒ page 213	50	Yes	
1.4l 118 kW petrol engine	Standard tyres	205/55 R 16 91V	6 ¹ / ₂ J x 16 ⇒ page 213	50	No	* 225/40 R 18 92Y tyres on 7 ¹ / ₂ J x 18 rims with an offset of 51 are permitted only on vehicles with sports running gear and rear axle camber of -1°45'!
	Modification	205/55 R 16 91W	6 ¹ / ₂ J x 16 ⇒ page 213	50	No	
		225/45 R 17 91V/W	7 J x 17 ⇒ page 219	54	No	
		225/40 R 18 92Y* ⇒ page 204	7 ¹ / ₂ J x 18 ⇒ page 224	51	No	
	Winter tyres	205/55 R 16 91Q/T/H	6 J x 16 ⇒ page 213	50	Yes	
		205/50 R 17 93Q/T/H	6 J x 17 ⇒ page 218	48.5	Yes** ⇒ page 204	
					** Only snow chains with fine links of no more than 8 mm may be used ⇒ Electronic parts catalogue „ETKA - Accessories catalogue“ .	

Tyre pressures are printed on the tyre inflation pressure label, which can be found on the inside of the tank flap and on the driver's B-pillar.



Caution

The Golf Plus will be listed according to the sales types and not by the type approval model codes.

The type approval model code and the associated type approval number are listed as follows.

Golf Plus, type approval code 1KP

Appendix to certificate statement 8107901214

The certificate statement can be found on the Volkswagen ServiceNet under Accessories/Tyres, Wheels and Tyres, Wheels and Tyres Guide.

Type approval number: e1*2001/116*0304*21 to e1*2001/116*0304*24

Overview

Model engine output	Tyres	Tyre size	Wheel rim	Off-set in mm	Snow chains	Remarks
1.2l 63 kW; 1.2l 77 kW; 1.4l 59 kW; 1.6l 75 kW; petrol engines 1.6l 75 kW; FlexFuel (bioethanol E85) 1.6l 75 kW BiFuel (autogas LPG) 1.6l 66 kW TDI; 1.6l 77 kW TDI diesel engine	Standard tyres	195/65 R 15 91T	6 J x 15 ⇒ page 211	47	Yes	General information on: ♦ Winter tyres ⇒ page 14 ♦ Snow chains ⇒ page 17 Tyre makes recommended by Volkswagen: ♦ Summer tyres ⇒ page 471 ♦ All-season tyres ⇒ page 486 ♦ Winter tyres ⇒ page 495
	Modification	195/65 R 15 91H/V	6 J x 15 ⇒ page 211	47	Yes	
		195/65 R 15 91T/H/V	6 1/2 J x 15 ⇒ page 212	50	Yes	
		205/60 R 15 91T/H/V	6 J x 15 ⇒ page 211	47	Yes	
		205/55 R 16 91T/H/V/W	6 1/2 J x 16 ⇒ page 213	50	No	
		205/50 R 17 93T/H	6 J x 17 ⇒ page 218	48.5	Yes** ⇒ page 206	
		225/45 R 17 91T/H/V/W	7 J x 17 ⇒ page 219	54	No	




Model engine output	Tyres	Tyre size	Wheel rim	Off-set in mm	Snow chains	Remarks
		225/40 R 18 92Y* ⇒ page 206	7 ¹ / ₂ J x 18 ⇒ page 224	51	No	* 225/40 R 18 92Y tyres on 7 ¹ / ₂ J x 18 rims with an offset of 51 are permitted only on vehicles with sports running gear and rear axle camber of -1°45'!
	Winter tyres	195/65 R 15 91Q/T/H	6 J x 15 ⇒ page 211	47	Yes	*** Only snow chains with fine links of no more than 8 mm may be used ⇒ Electronic parts catalogue „ETKA - Accessories catalogue“ .
		205/55 R 16 91Q/T/H	6 J x 16 ⇒ page 213	50	Yes	
		205/50 R 17 93Q/T/H	6 J x 17 ⇒ page 218	48.5	Yes** ⇒ page 206	
1,4l 90 kW petrol engine	Standard tyres	195/65 R 15 91H	6 J x 15 ⇒ page 211	47	Yes	
2.0l 81 kW; 2.0l 100 kW; 2.0l 103 kW diesel engine	Modification	195/65 R 15 91V	6 J x 15 ⇒ page 211	47	Yes	
		195/65 R 15 91H/V	6 ¹ / ₂ J x 15 ⇒ page 212	50	Yes	
		205/60 R 15 91H/V	6 J x 15 ⇒ page 211	47	Yes	
		205/55 R 16 91H/V/W	6 ¹ / ₂ J x 16 ⇒ page 213	50	No	
		205/50 R 17 93H/V	6 J x 17 ⇒ page 218	48.5	Yes** ⇒ page 207	
		225/45 R 17 91H/V/W	7 J x 17 ⇒ page 219	54	No	
		225/40 R 18 92Y* ⇒ page 206	7 ¹ / ₂ J x 18 ⇒ page 224	51	No	
	Winter tyres	195/65 R 15 91Q/T/H	6 J x 15 ⇒ page 211	47	Yes	
205/55 R 16 91Q/T/H		6 J x 16 ⇒ page 213	50	Yes		



Model engine output	Tyres	Tyre size	Wheel rim	Off-set in mm	Snow chains	Remarks
		205/50 R 17 93Q/T/H	6 J x 17 ⇒ page 218	48.5	Yes** ⇒ page 207	*** Only snow chains with fine links of no more than 8 mm may be used ⇒ Electronic parts catalogue „ETKA - Accessories catalogue“ .
1,4l 118 kW petrol engine	Standard tyres	205/55 R 16 91V	6 ¹ / ₂ J x 16 ⇒ page 213	50	No	* 225/40 R 18 92Y tyres on 7 ¹ / ₂ J x 18 rims with an offset of 51 are permitted only on vehicles with sports running gear and rear axle camber of -1°45'!
	Modification	205/55 R 16 91W	6 ¹ / ₂ J x 16 ⇒ page 213	50	No	
		205/50 R 17 93V/W	6 J x 17 ⇒ page 218	48.5	Yes** ⇒ page 207	
		225/45 R 17 91V/W	7 J x 17 ⇒ page 219	54	No	
		225/40 R 18 92Y* ⇒ page 207	7 ¹ / ₂ J x 18 ⇒ page 224	51	No	
	Winter tyres	205/55 R 16 91Q/T/H	6 J x 16 ⇒ page 213	50	Yes	
205/50 R 17 93Q/T/H		6 J x 17 ⇒ page 218	48.5	Yes** ⇒ page 207	** Only snow chains with fine links of no more than 8 mm may be used ⇒ Electronic parts catalogue „ETKA - Accessories catalogue“ .	

Tyre pressures are printed on the tyre inflation pressure label, which can be found on the inside of the tank flap and on the driver's B-pillar.

26.2 Golf Plus, sales type 521 model year 2012

 **Caution**

The Golf Plus will be listed according to the sales types and not by the type approval model codes.

The type approval model code and the associated type approval number are listed as follows.

Golf Plus, type approval code 1KP

Appendix to certificate statement 8107901214



The certificate statement can be found on the Volkswagen ServiceNet under Accessories/Tyres, Wheels and Tyres, Wheels and Tyres Guide.

Type Approval No.: e1*2001/116*0304*25

Overview

Model engine output	Tyres	Tyre size	Wheel rim	Off-set in mm	Snow chains	Remarks
1.2l 63 kW; 1.2l 77 kW; 1.4l 59 kW; 1.6l 75 kW; petrol engines 1.6l 75 kW; FlexFuel (bioethanol E85) 1.6l 75 kW BiFuel (autogas LPG) 1.6l 66 kW TDI; 1.6l 77 kW TDI diesel engine	Standard tyres	195/65 R 15 91T	6 J x 15 ⇒ page 211	47	Yes	General information on: ♦ Winter tyres ⇒ page 14 ♦ Snow chains ⇒ page 17 Tyre makes recommended by Volkswagen: ♦ Summer tyres ⇒ page 471 ♦ All-season tyres ⇒ page 486 ♦ Winter tyres ⇒ page 495
	Modification	195/65 R 15 91H/V	6 J x 15 ⇒ page 211	47	Yes	
	195/65 R 15 91T/H/V	6 ¹ / ₂ J x 15 ⇒ page 212	50	Yes		
	205/60 R 15 91T/H/V	6 J x 15 ⇒ page 211	47	Yes		
	205/55 R 16 91T/H/V/W	6 J x 16 ⇒ page 213	50	Yes		
	205/55 R 16 91T/H/V/W	6 ¹ / ₂ J x 16 ⇒ page 213	50	No		
	205/50 R 17 93T/H	6 J x 17 ⇒ page 218	48.5	Yes*** ⇒ page 209		
	225/45 R 17 91T/H/V/W	7 J x 17 ⇒ page 219	54	No		
	225/45 R 17 91T/H/V/W * ⇒ page 208	7 ¹ / ₂ J x 17 ⇒ page 222	51	No	* 225/45 R 17 91T/H/V/W tyres on 7 ¹ / ₂ J x 17 rims with an offset of of 51 are permitted only on vehicles with sports running gear and rear axle camber of -1°45'!	
	225/40 R 18 92Y** ⇒ page 208	7 ¹ / ₂ J x 18 ⇒ page 224	51	No	** 225/40 R 18 92Y tyres on 7 ¹ / ₂ J x 18 rims with an offset of of 51 are permitted only on vehicles with sports running gear and rear axle camber of -1°45'!	



Model engine output	Tyres	Tyre size	Wheel rim	Off-set in mm	Snow chains	Remarks	
	Winter tyres	195/65 R 15 91Q/T/H	6 J x 15 ⇒ page 211	47	Yes		
		205/55 R 16 91Q/T/H	6 J x 16 ⇒ page 213	50	Yes		
		205/50 R 17 93Q/T/H	6 J x 17 ⇒ page 218	48.5	Yes*** ⇒ page 209		*** Only snow chains with fine links of no more than 8 mm may be used ⇒ Electronic parts catalogue „ETKA - Accessories catalogue“ .
1.4l 90 kW petrol engine	Standard tyres	195/65 R 15 91H	6 J x 15 ⇒ page 211	47	Yes		
2.0l 100 kW; 2.0l 103 kW diesel engine	Modification	195/65 R 15 91V	6 J x 15 ⇒ page 211	47	Yes		
		195/65 R 15 91H/V	6 1/2 J x 15 ⇒ page 212	50	Yes		
		205/60 R 15 91H/V	6 J x 15 ⇒ page 211	47	Yes		
		205/55 R 16 91T/H/V/W	6 J x 16 ⇒ page 213	50	Yes		
		205/55 R 16 91H/V/W	6 1/2 J x 16 ⇒ page 213	50	No		
		205/50 R 17 93H/V	6 J x 17 ⇒ page 218	48.5	Yes*** ⇒ page 210		
		225/45 R 17 91H/V/W	7 J x 17 ⇒ page 219	54	No		
		225/45 R 17 91H/V/W * ⇒ page 209	7 1/2 J x 17 ⇒ page 222	51	No		* 225/45 R 17 91T/H/V/W tyres on 7 1/2 J x 17 rims with an offset of of 51 are permitted only on vehicles with sports running gear and rear axle camber of -1°45'!
		225/40 R 18 92Y** ⇒ page 209	7 1/2 J x 18 ⇒ page 224	51	No		** 225/40 R 18 92Y tyres on 7 1/2 J x 18 rims with an offset of of 51 are permitted only on vehicles with sports running gear and rear axle camber of -1°45'!
	Winter tyres	195/65 R 15 91Q/T/H	6 J x 15 ⇒ page 211	47	Yes		



Model engine output	Tyres	Tyre size	Wheel rim	Off-set in mm	Snow chains	Remarks
		205/55 R 16 91Q/T/H	6 J x 16 ⇒ page 213	50	Yes	
		205/50 R 17 93Q/T/H	6 J x 17 ⇒ page 218	48.5	Yes*** ⇒ page 210	*** Only snow chains with fine links of no more than 8 mm may be used ⇒ Electronic parts catalogue „ETKA - Accessories catalogue“ .
1.4l 118 kW petrol engine	Standard tyres	205/55 R 16 91V	6 1/2 J x 16 ⇒ page 213	50	No	
	Modification	205/55 R 16 91W	6 1/2 J x 16 ⇒ page 213	50	No	
		205/50 R 17 93V/W	6 J x 17 ⇒ page 218	48.5	Yes*** ⇒ page 210	
		225/45 R 17 91V/W	7 J x 17 ⇒ page 219	54	No	
		225/45 R 17 91V/W * ⇒ page 210	7 1/2 J x 17 ⇒ page 222	51	No	* 225/45 R 17 91T/H/V/W tyres on 7 1/2 J x 17 rims with an offset of of 51 are permitted only on vehicles with sports running gear and rear axle camber of -1°45'!
		225/40 R 18 92Y** ⇒ page 210	7 1/2 J x 18 ⇒ page 224	51	No	** 225/40 R 18 92Y tyres on 7 1/2 J x 18 rims with an offset of of 51 are permitted only on vehicles with sports running gear and rear axle camber of -1°45'!
	Winter tyres	205/55 R 16 91Q/T/H	6 J x 16 ⇒ page 213	50	Yes	
	205/50 R 17 93Q/T/H	6 J x 17 ⇒ page 218	48.5	Yes*** ⇒ page 210	*** Only snow chains with fine links of no more than 8 mm may be used ⇒ Electronic parts catalogue „ETKA - Accessories catalogue“ .	

Tyre pressures are printed on the tyre inflation pressure label, which can be found on the inside of the tank flap and on the driver's B-pillar.



26.3 Wheel allocation for Golf Plus, sales type 521 model year 2009 to model year 2012

Golf Plus, type approval code 1KP

Explanation of information on wheels ⇒ [page 49](#)

Torque settings for wheel bolts ⇒ Running gear, axles, steering;
 Rep. gr. 44 ; Torque settings for fitting wheels

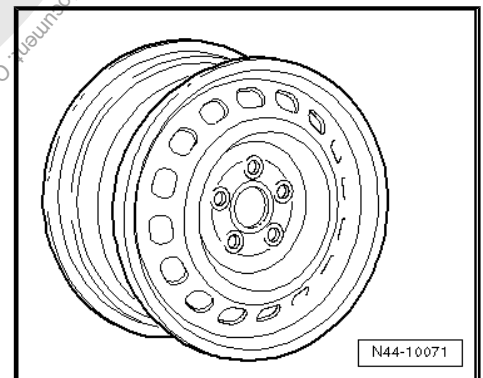
Pitch circle diameter: 112 mm
 Number of wheel bolt holes: 5

26.3.1 6 J x 15

	Caution
<i>Observe the allocation of wheels and tyres to the respective engines, which are listed in the overview table ⇒ page 203 .</i>	

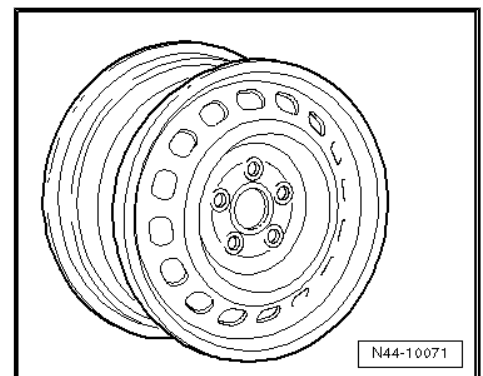
1K0 601 027 H, 1K0 601 027 AG - Wheel and tyre combination ⇒ [page 203](#)

Size:	6 J x 15
Wheel offset in mm:	47
Wheel load in kg:	615



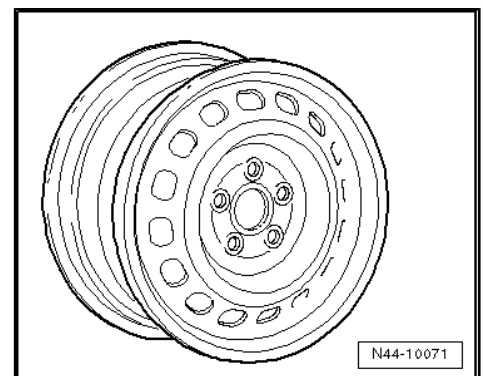
1K0 601 027 C, 1K0 601 027 T - Wheel and tyre combination ⇒ [page 203](#)

Size:	6 J x 15
Wheel offset in mm:	47
Wheel load in kg:	615



2K0 601 027 - Wheel and tyre combination ⇒ [page 203](#)

Size:	6 J x 15
Wheel offset in mm:	47
Wheel load in kg:	650





26.3.2 6¹/₂ J x 15

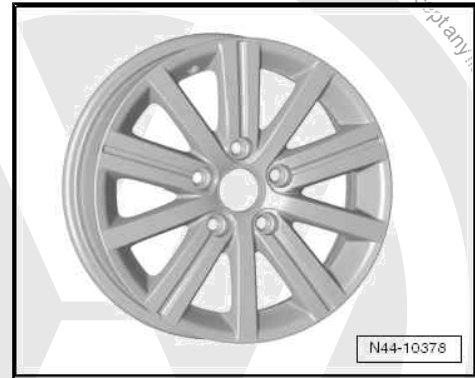


Caution

Observe the allocation of wheels and tyres to the respective engines, which are listed in the overview table ⇒ [page 203](#).

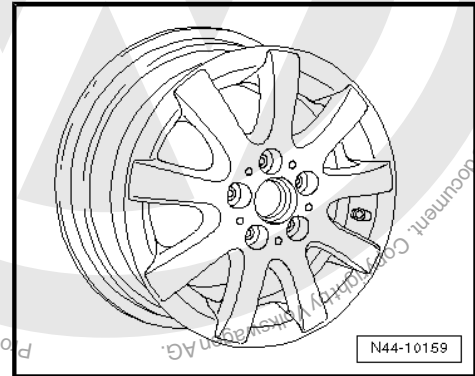
5k0 601 025 J - Wheel and tyre combination ⇒ [page 203](#)

Size:	6 ¹ / ₂ J x 15
Wheel offset in mm:	50
Wheel load in kg:	600



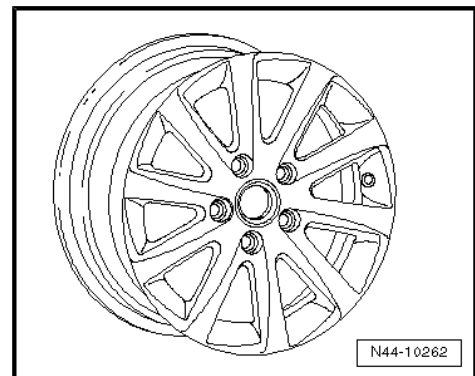
1K0 601,025 A - Wheel and tyre combination ⇒ [page 203](#)

Size:	6 ¹ / ₂ J x 15
Wheel offset in mm:	50
Wheel load in kg:	600



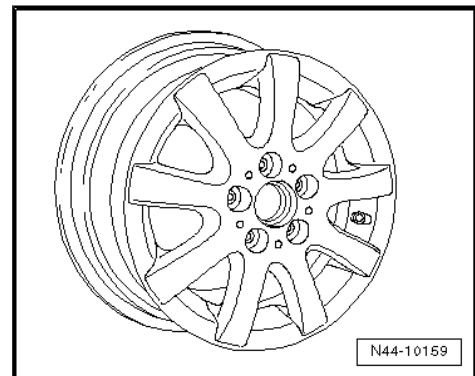
1K0 601 025 AK - Wheel and tyre combination ⇒ [page 203](#)

Size:	6 ¹ / ₂ J x 15
Wheel offset in mm:	50
Wheel load in kg:	600



1K0 601 025 AQ - Wheel and tyre combination ⇒ [page 203](#)

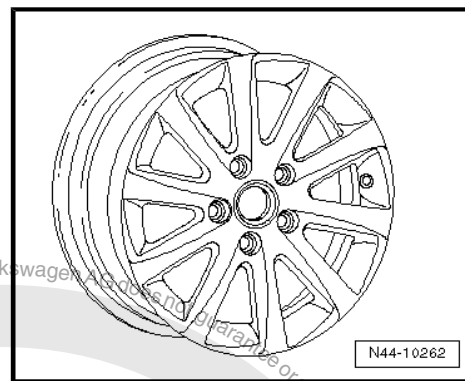
Size:	6 ¹ / ₂ J x 15
Wheel offset in mm:	50
Wheel load in kg:	600





1K0 601 025 CA - Wheel and tyre combination ⇒ page 203

Size:	6 ¹ / ₂ J x 15
Wheel offset in mm:	50
Wheel load in kg:	600



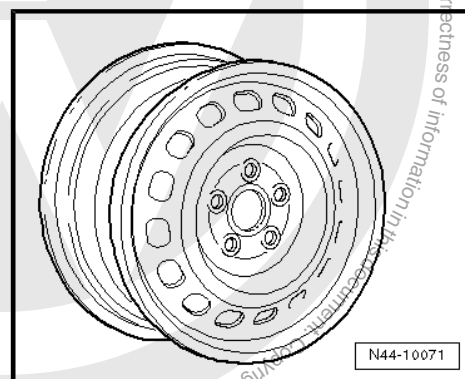
26.3.3 6 J x 16

⚠ Caution
Observe the allocation of wheels and tyres to the respective engines, which are listed in the overview table ⇒ page 203 .

Winter wheels

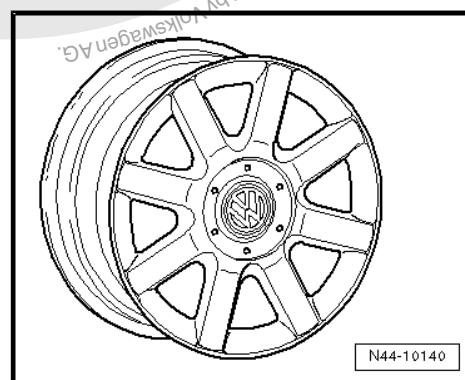
8P0 601 027 - Wheel and tyre combination ⇒ page 203

Size:	6 J x 16
Wheel offset in mm:	50
Wheel load in kg:	600



1K0 601 025 Q - Wheel and tyre combination ⇒ page 203

Size:	6 J x 16 EH2 ⇒ page 49
Wheel offset in mm:	50
Wheel load in kg:	615



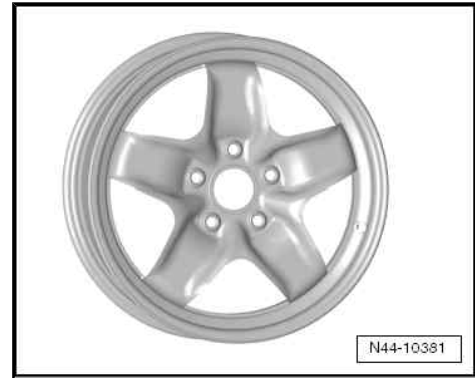
26.3.4 6¹/₂ J x 16

⚠ Caution
Observe the allocation of wheels and tyres to the respective engines, which are listed in the overview table ⇒ page 203 .



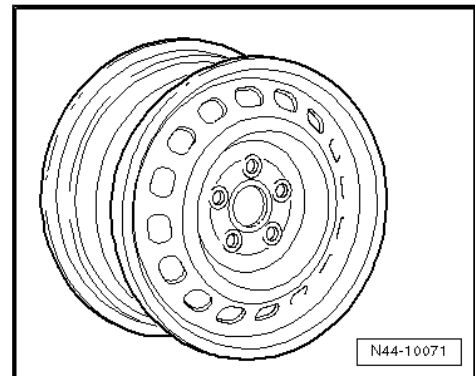
5K0 601 027 - Wheel and tyre combination ⇒ page 203

Size:	6 ¹ / ₂ J x 16
Wheel offset in mm:	50
Wheel load in kg:	615



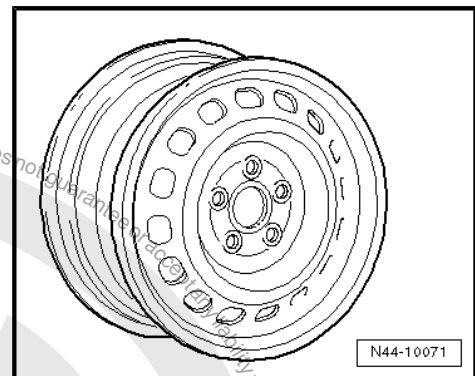
1K0 601 027 A, 1K0 601 027 AH - Wheel and tyre combination ⇒ page 203

Size:	6 ¹ / ₂ J x 16
Wheel offset in mm:	50
Wheel load in kg:	615



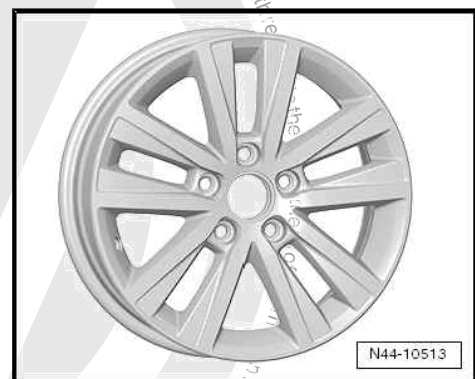
1K0 601 027 J - Wheel and tyre combination ⇒ page 203

Size:	6 ¹ / ₂ J x 16
Wheel offset in mm:	50
Wheel load in kg:	615



5K0 601 025 AE - Wheel and tyre combination ⇒ page 203

Size:	6 ¹ / ₂ J x 16
Wheel offset in mm:	50
Wheel load in kg:	615





5K0 601 025 E - Wheel and tyre combination ⇒ page 203

Size:	6 ¹ / ₂ J x 16
Wheel offset in mm:	50
Wheel load in kg:	615



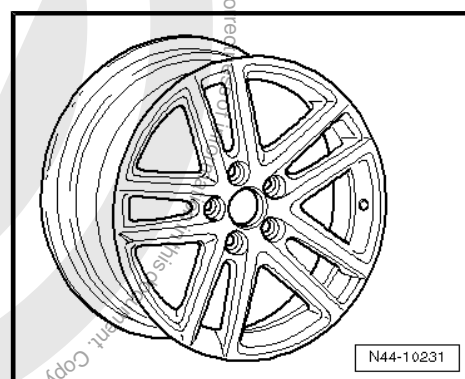
5K0 601 025 S - Wheel and tyre combination ⇒ page 203

Size:	6 ¹ / ₂ J x 16
Wheel offset in mm:	50
Wheel load in kg:	615



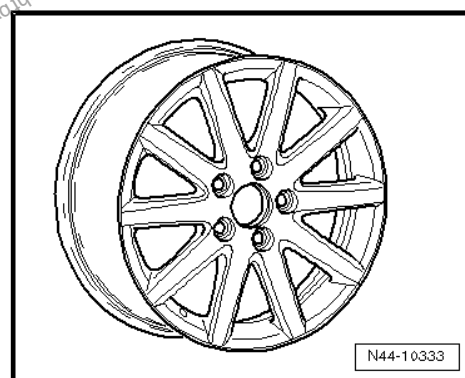
1K0 601 025 AJ - Wheel and tyre combination ⇒ page 203

Size:	6 ¹ / ₂ J x 16
Wheel offset in mm:	50
Wheel load in kg:	615



1K0 601 025 BC - Wheel and tyre combination ⇒ page 203

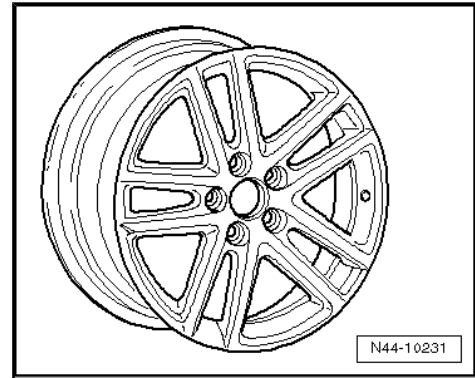
Size:	6 ¹ / ₂ J x 16
Wheel offset in mm:	50
Wheel load in kg:	615





1K0 601 025 BM - Wheel and tyre combination ⇒ page 203

Size:	6 ¹ / ₂ J x 16
Wheel offset in mm:	50
Wheel load in kg:	615



1K0 601 025 BR - Wheel and tyre combination ⇒ page 203

Size:	6 ¹ / ₂ J x 16
Wheel offset in mm:	50
Wheel load in kg:	615



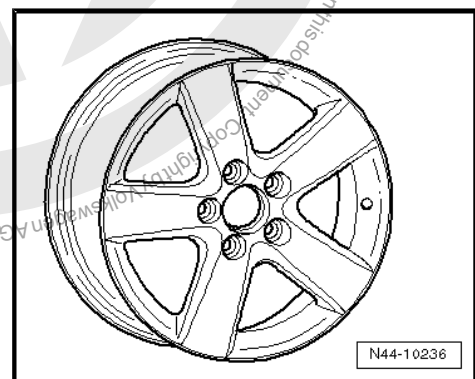
1K0 601 025 BS - Wheel and tyre combination ⇒ page 203

Size:	6 ¹ / ₂ J x 16
Wheel offset in mm:	50
Wheel load in kg:	615



1K0 601 025 CB - Wheel and tyre combination ⇒ page 203

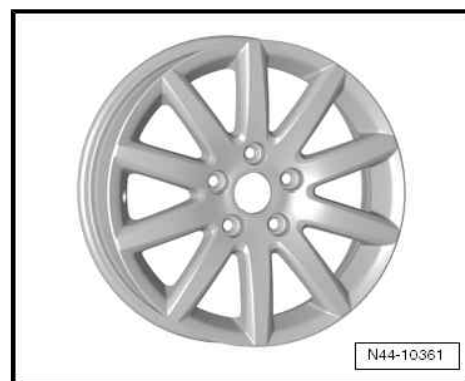
Size:	6 ¹ / ₂ J x 16
Wheel offset in mm:	50
Wheel load in kg:	615





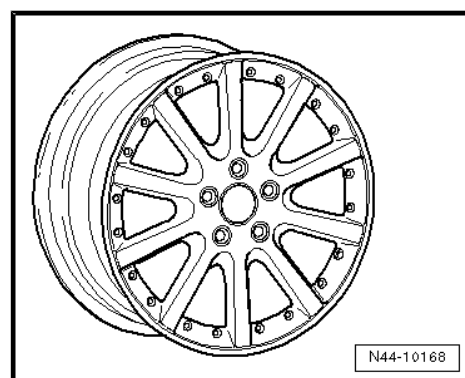
1K0 601 025 CG - Wheel and tyre combination ⇒ page 203

Size:	6 ¹ / ₂ J x 16
Wheel offset in mm:	50
Wheel load in kg:	615



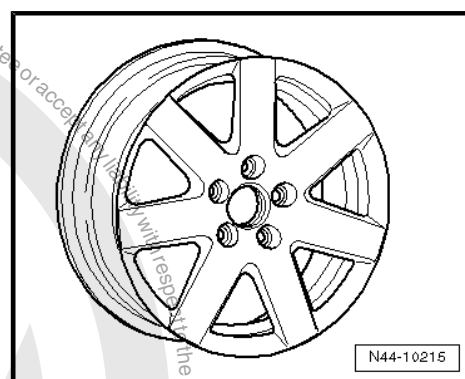
1K0 601 025 F - Wheel and tyre combination ⇒ page 203

Size:	6 ¹ / ₂ J x 16
Wheel offset in mm:	50
Wheel load in kg:	615



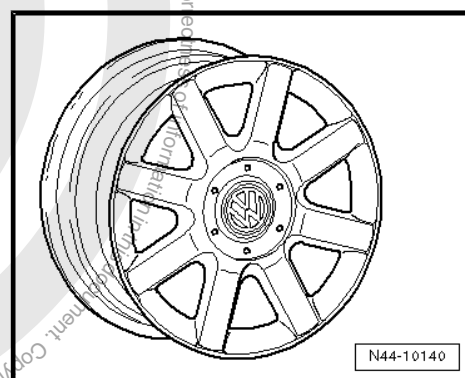
1K0 601 025 P - Wheel and tyre combination ⇒ page 203

Size:	6 ¹ / ₂ J x 16
Wheel offset in mm:	50
Wheel load in kg:	615



1K0 601 025 R - Wheel and tyre combination ⇒ page 203

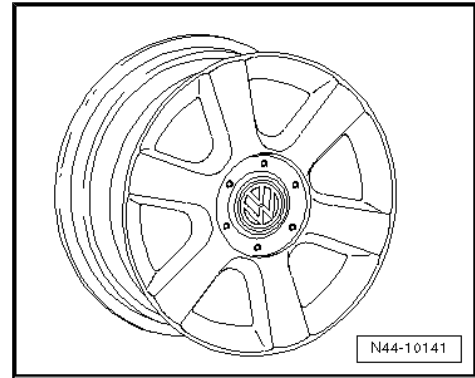
Size:	6 ¹ / ₂ J x 16
Wheel offset in mm:	50
Wheel load in kg:	615





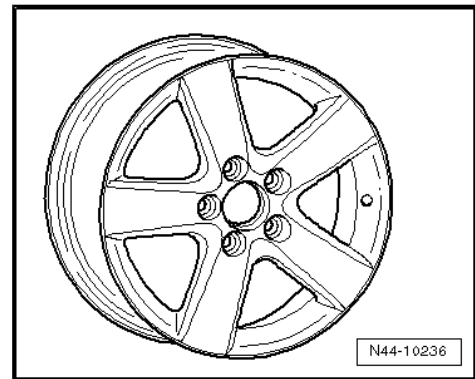
1T0 601 025 C - Wheel and tyre combination ⇒ page 203

Size:	6 ¹ / ₂ J x 16
Wheel offset in mm:	50
Wheel load in kg:	615



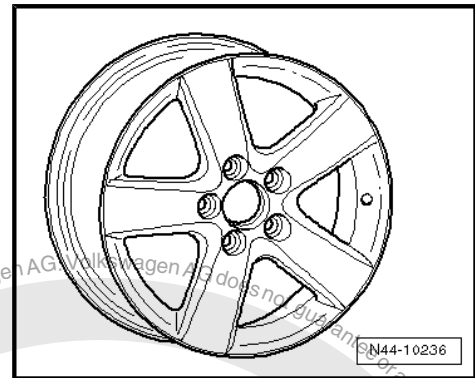
1T0 601 025 G, 1T0 601 025 K - Wheel and tyre combination ⇒ page 203

Size:	6 ¹ / ₂ J x 16
Wheel offset in mm:	50
Wheel load in kg:	615



1T0 601 025 M - Wheel and tyre combination ⇒ page 203

Size:	6 ¹ / ₂ J x 16
Wheel offset in mm:	50
Wheel load in kg:	615



1T0 601 025 R - Wheel and tyre combination ⇒ page 203

Size:	6 ¹ / ₂ J x 16
Wheel offset in mm:	50
Wheel load in kg:	615



26.3.5 6 J x 17



Caution

Observe the allocation of wheels and tyres to the respective engines, which are listed in the overview table ⇒ page 203.

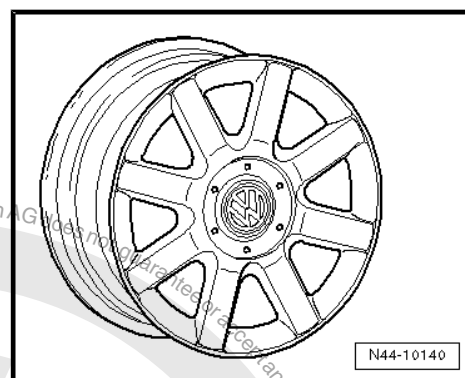
Protected by copyright. Copyright © Volkswagen AG. Volkswagen AG does not accept any liability with respect to the correctness of information in this document. Copyright by Volkswagen AG.




Winter wheel

1K0 601 025 N - Wheel and tyre combination ⇒ [page 205](#)

Size:	6 J x 17
Wheel offset in mm:	48.5
Wheel load in kg:	615

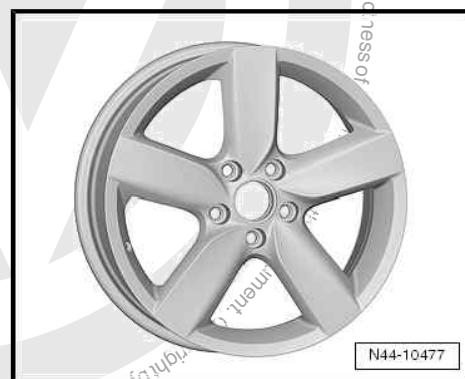


26.3.6 7 J x 17

 **Caution**
 Observe the allocation of wheels and tyres to the respective engines, which are listed in the overview table ⇒ [page 203](#).

5K0 601 025 AA - Wheel and tyre combination ⇒ [page 203](#)

Size:	7 J x 17
Wheel offset in mm:	54
Wheel load in kg:	615



5K0 601 025 D - Wheel and tyre combination ⇒ [page 203](#)

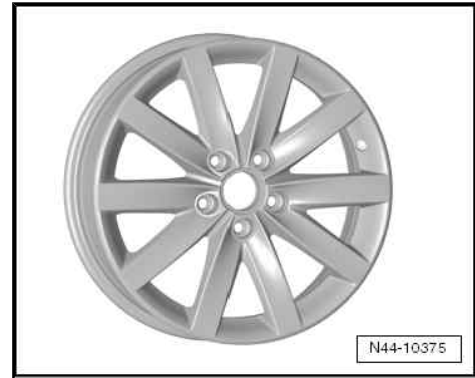
Size:	7 J x 17
Wheel offset in mm:	54
Wheel load in kg:	615





5K0 601 025 F - Wheel and tyre combination ⇒ page 203

Size:	7 J x 17
Wheel offset in mm:	54
Wheel load in kg:	615



5K0 601 025 K - Wheel and tyre combination ⇒ page 203

Size:	7 J x 17
Wheel offset in mm:	54
Wheel load in kg:	615



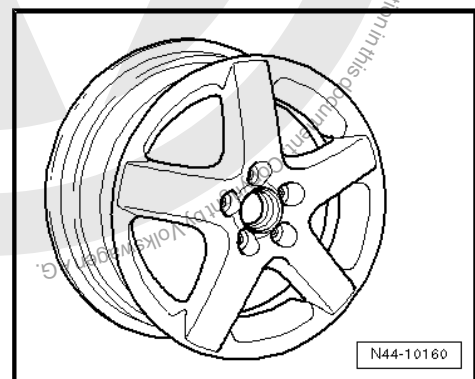
5K0 601 025 Q, 5K0 601 025 R - Wheel and tyre combination ⇒ page 203

Size:	7 J x 17
Wheel offset in mm:	54
Wheel load in kg:	615



1K0 601 025 B - Wheel and tyre combination ⇒ page 203

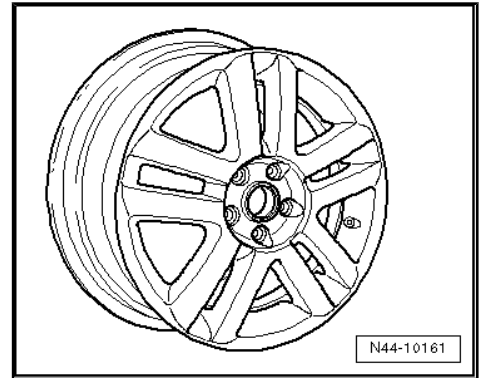
Size:	7 J x 17
Wheel offset in mm:	54
Wheel load in kg:	615





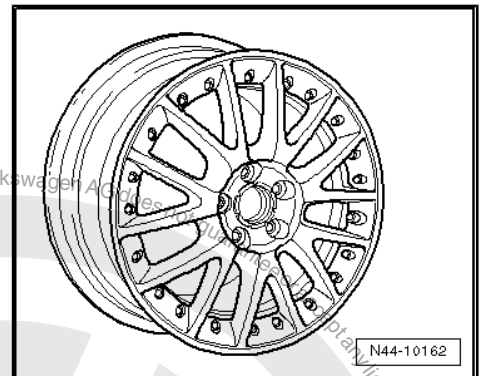
1K0 601,025 C - Wheel and tyre combination ⇒ page 203

Size:	7 J x 17
Wheel offset in mm:	54
Wheel load in kg:	615



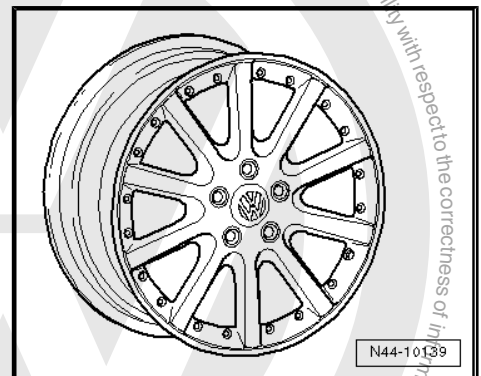
1K0 601 025 J - Wheel and tyre combination ⇒ page 203

Size:	7 J x 17
Wheel offset in mm:	54
Wheel load in kg:	615



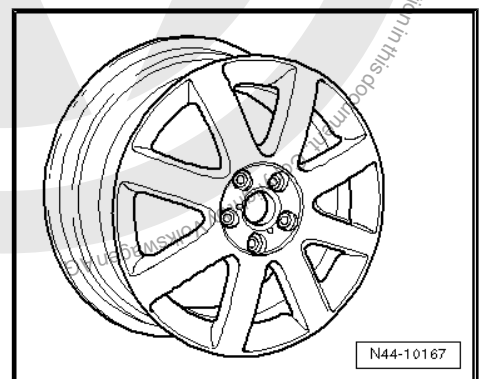
1K0 601 025 K - Wheel and tyre combination ⇒ page 203

Size:	7 J x 17
Wheel offset in mm:	54
Wheel load in kg:	615



1K0 601 025 M - Wheel and tyre combination ⇒ page 203

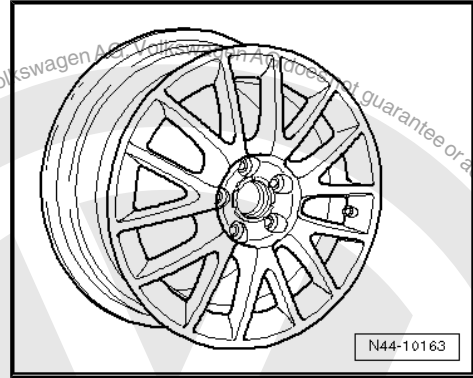
Size:	7 J x 17
Wheel offset in mm:	54
Wheel load in kg:	615





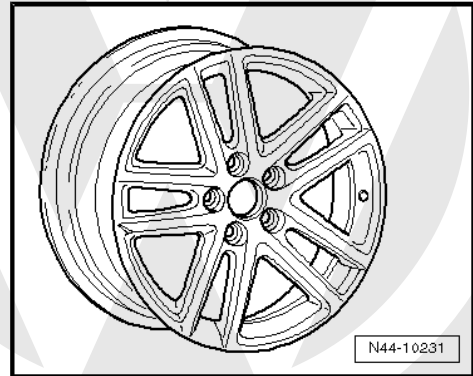
1K0 601 025 T - Wheel and tyre combination ⇒ page 203

Size:	7 J x 17
Wheel offset in mm:	54
Wheel load in kg:	615



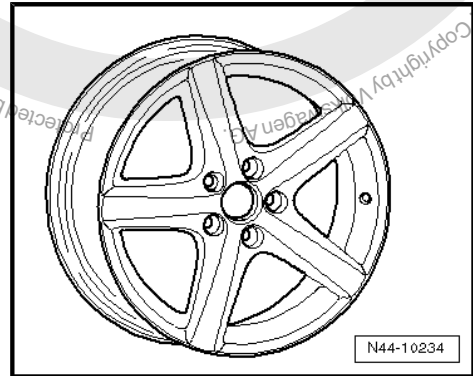
1K0 601 025 AF - Wheel and tyre combination ⇒ page 203

Size:	7 J x 17
Wheel offset in mm:	54
Wheel load in kg:	630



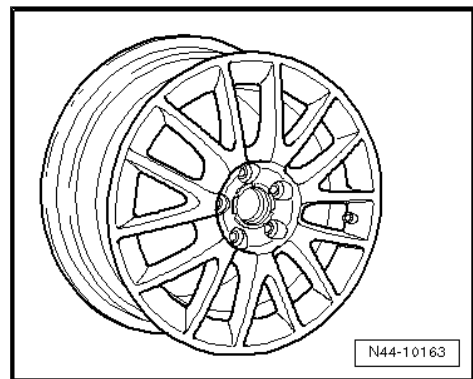
1K0 601 025 AE - Wheel and tyre combination ⇒ page 203

Size:	7 J x 17
Wheel offset in mm:	54
Wheel load in kg:	630



1K0 601 025 AN - Wheel and tyre combination ⇒ page 203

Size:	7 J x 17
Wheel offset in mm:	54
Wheel load in kg:	615



26.3.7 7 1/2 J x 17



Caution

Observe the allocation of wheels and tyres to the respective engines, which are listed in the overview table ⇒ page 203 .



5K0 601 025 N - Wheel and tyre combination ⇒ page 208

Only for vehicles with sports running gear and rear axle camber of -1°45'

Size:	7 ¹ / ₂ J x 17
Wheel offset in mm:	51
Wheel load in kg:	630



5K0 601 025 G - Wheel and tyre combination

Only for vehicles with sports running gear and rear axle camber of -1°45'

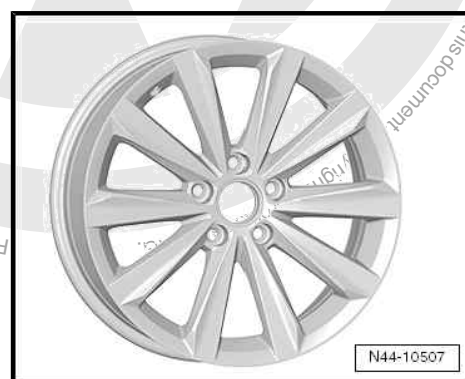
Size:	7 ¹ / ₂ J x 17
Wheel offset in mm:	51
Wheel load in kg:	630



5K0 601 025 AD - Wheel and tyre combination

Only for vehicles with sports running gear and rear axle camber of -1°45'

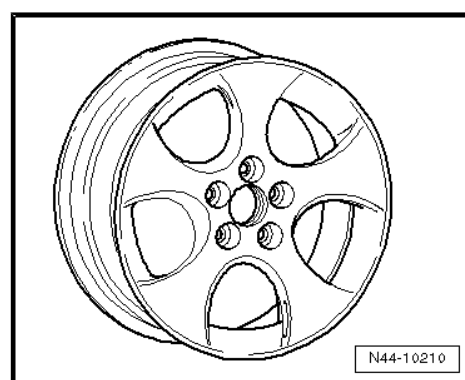
Size:	7 ¹ / ₂ J x 17
Wheel offset in mm:	51
Wheel load in kg:	630



1K0 601 025 BB - Wheel and tyre combination

Only for vehicles with sports running gear and rear axle camber of -1°45'

Size:	7 ¹ / ₂ J x 17
Wheel offset in mm:	51
Wheel load in kg:	615

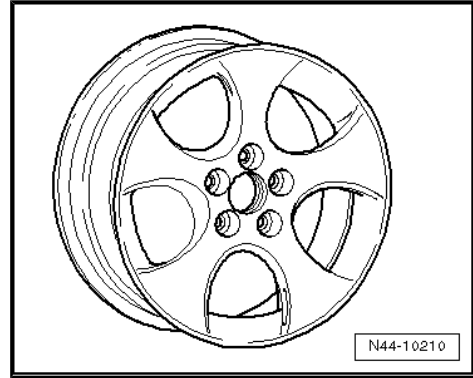




1K0 601 025 AC - Wheel and tyre combination

Only for vehicles with sports running gear and rear axle camber of $-1^{\circ}45'$

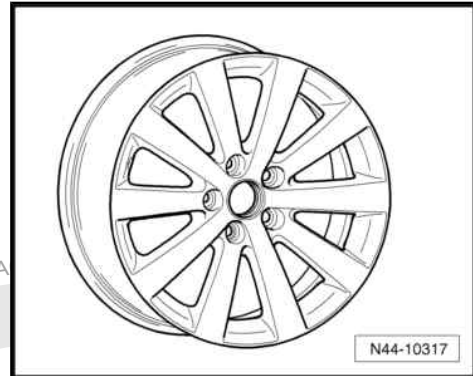
Size:	7 $\frac{1}{2}$ J x 17
Wheel offset in mm:	51
Wheel load in kg:	615



1K0 601 025 BK - Wheel and tyre combination

Only for vehicles with sports running gear and rear axle camber of $-1^{\circ}45'$

Size:	7 $\frac{1}{2}$ J x 17
Wheel offset in mm:	51
Wheel load in kg:	615



26.3.8 7 $\frac{1}{2}$ J x 18



Caution

Observe the allocation of wheels and tyres to the respective engines, which are listed in the overview table [⇒ page 203](#).

5K0 601 025 AF, 5K0 601 025 AG - Wheel and tyre combination [⇒ page 203](#)

Only for vehicles with sports running gear and rear axle camber of $-1^{\circ}45'$

Size:	7 $\frac{1}{2}$ J x 18
Wheel offset in mm:	51
Wheel load in kg:	615



5K0 601 025 H - Wheel and tyre combination [⇒ page 203](#)

Only for vehicles with sports running gear and rear axle camber of $-1^{\circ}45'$

Size:	7 $\frac{1}{2}$ J x 18
Wheel offset in mm:	51
Wheel load in kg:	630





5K0 601 025 L - Wheel and tyre combination ⇒ page 203

Only for vehicles with sports running gear and rear axle camber of -1°45'

Size:	7 ¹ / ₂ J x 18
Wheel offset in mm:	51
Wheel load in kg:	615



5K0 601 025 P - Wheel and tyre combination ⇒ page 203

Only for vehicles with sports running gear and rear axle camber of -1°45'

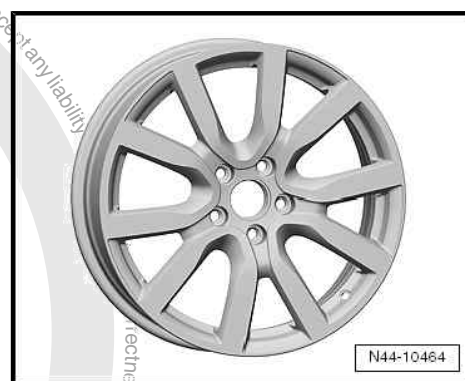
Size:	7 ¹ / ₂ J x 18
Wheel offset in mm:	51
Wheel load in kg:	630



5K0 601 025 AC - Wheel and tyre combination ⇒ page 203

Only for vehicles with sports running gear and rear axle camber of -1°45'

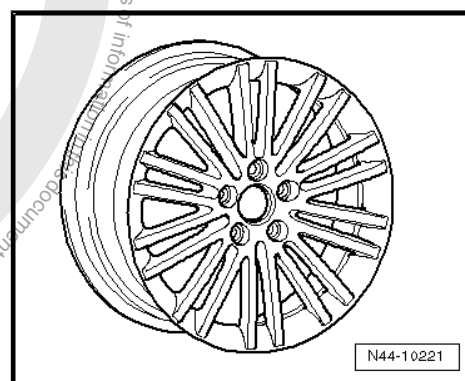
Size:	7 ¹ / ₂ J x 18
Wheel offset in mm:	51
Wheel load in kg:	630



1K0 601 025 AD - Wheel and tyre combination ⇒ page 203

Only for vehicles with sports running gear and rear axle camber of -1°45'

Size:	7 ¹ / ₂ J x 18
Wheel offset in mm:	51
Wheel load in kg:	630

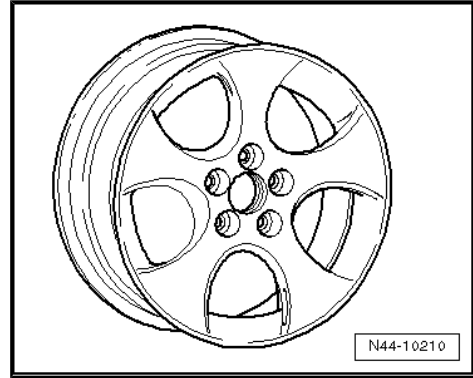




1K0 601 025 AH - Wheel and tyre combination ⇒ page 203

Only for vehicles with sports running gear and rear axle camber of $-1^{\circ}45'$

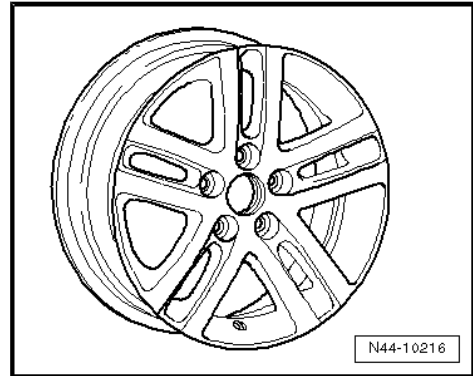
Size:	7 ¹ / ₂ J x 18
Wheel offset in mm:	51
Wheel load in kg:	615



1K0 601 025 AG - Wheel and tyre combination ⇒ page 203

Only for vehicles with sports running gear and rear axle camber of $-1^{\circ}45'$

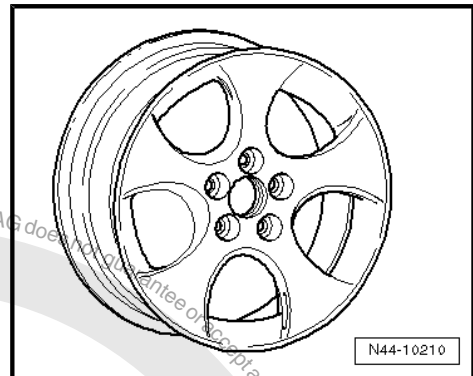
Size:	7 ¹ / ₂ J x 18
Wheel offset in mm:	51
Wheel load in kg:	630



1K0 601 025 AM - Wheel and tyre combination ⇒ page 203

Only for vehicles with sports running gear and rear axle camber of $-1^{\circ}45'$

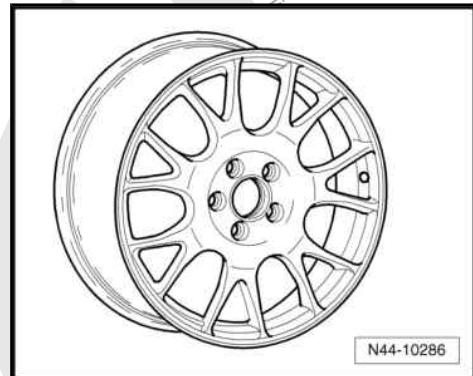
Size:	7 ¹ / ₂ J x 18
Wheel offset in mm:	51
Wheel load in kg:	615



1K0 601 025 AT, 1K0 601 025 CC - Wheel and tyre combination ⇒ page 203

Only for vehicles with sports running gear and rear axle camber of $-1^{\circ}45'$

Size:	7 ¹ / ₂ J x 18
Wheel offset in mm:	51
Wheel load in kg:	615

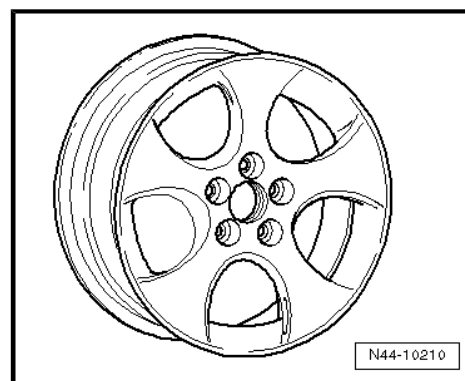




1K0 601 025 BA - Wheel and tyre combination ⇒ page 203

Only for vehicles with sports running gear and rear axle camber of -1°45'

Size:	7 ¹ / ₂ J x 18
Wheel offset in mm:	51
Wheel load in kg:	615



1K0 601 025 BE - Wheel and tyre combination ⇒ page 203

Only for vehicles with sports running gear and rear axle camber of -1°45'

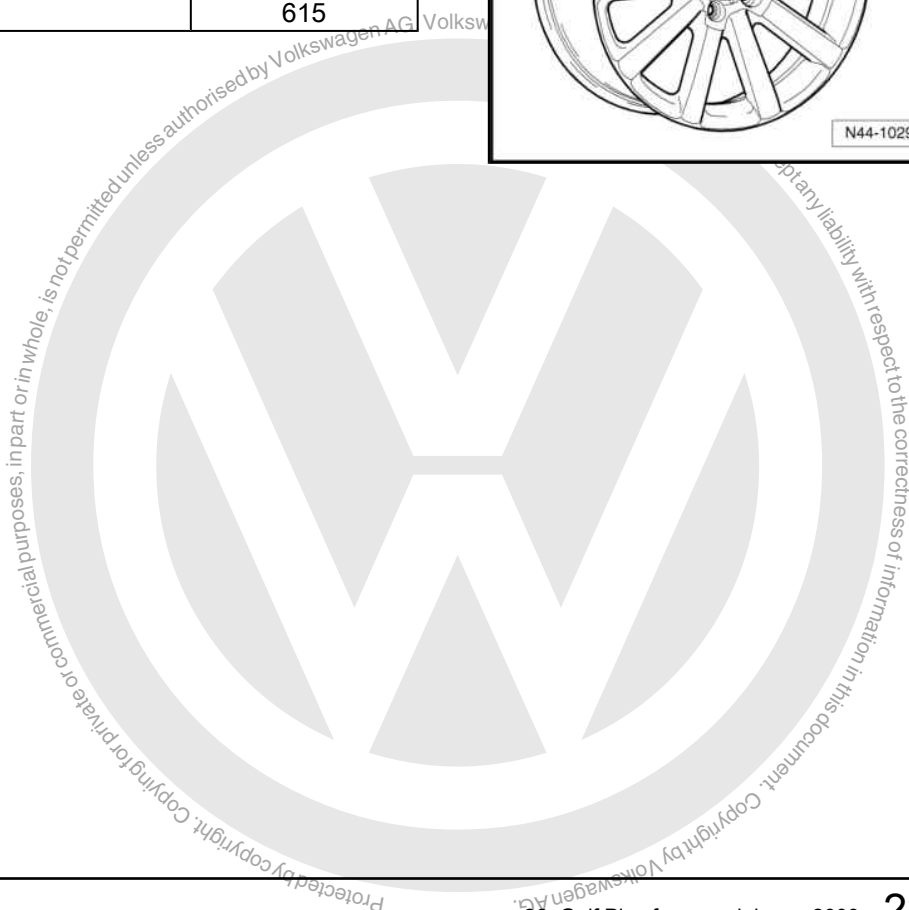
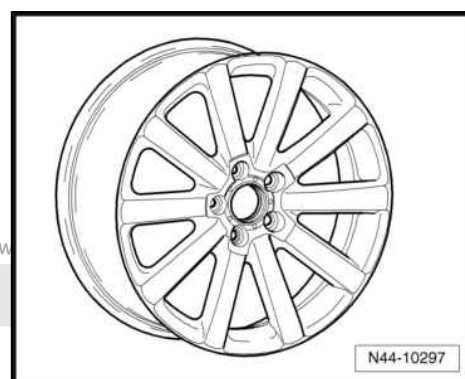
Size:	7 ¹ / ₂ J x 18
Wheel offset in mm:	51
Wheel load in kg:	615



1K0 601 025 BL - Wheel and tyre combination ⇒ page 203

Only for vehicles with sports running gear and rear axle camber of -1°45'

Size:	7 ¹ / ₂ J x 18
Wheel offset in mm:	51
Wheel load in kg:	615





27 Golf Plus BlueMotion from model year 2010

General

Volkswagen vehicles are built according to the latest findings in safety engineering. To keep it that way, we recommend the use of only genuine Volkswagen spare parts. You can recognise this by the VW Audi logo and by the part number. It has been established that these parts are reliable, safe and suitable.

Despite constant appraisal of the market, we cannot assess other products on these points, even when in isolated cases they have been passed by official inspectors or have been granted official approval. Therefore, we cannot, of course, assume any liability if these products are installed.



WARNING

The products from Volkswagen genuine parts and Volkswagen accessories may differ in fitting requirements, torque specifications and so on.

Always follow the respective fitting and operating instructions.

The wheel and tyre combinations or changes listed in the vehicle tables refer exclusively to Volkswagen Genuine wheels. Approval of wheel and tyre combinations or a change to wheels from the accessories trade is not possible with the certificate statement attached here.



WARNING

The fitting instructions and torque specifications for wheels from Volkswagen accessories may differ from those intended for wheels from Volkswagen genuine parts.

Therefore, always observe the torque settings for the wheel bolts as well as the respective fitting and operating instructions.

27.1 Golf Plus BlueMotion, sales type 521, model year 2010 to model year 2012



Caution

The Golf Plus BlueMotion will be listed according to the sales types and not by the type approval model codes.

The type approval model code and the associated type approval number are listed as follows.



Caution

*Observe wheel and tyre combinations for vehicles from type approval number: e1*2001/116*0304*25 ⇒ [page 229](#)*

Golf Plus BlueMotion, type approval code 1KP

Appendix to certificate statement 8107901214



The certificate statement can be found on the Volkswagen ServiceNet under Accessories/Tyres, Wheels and Tyres, Wheels and Tyres Guide.

Type Approval No.: e1*2001/116*0304*17 to e1*2001/116*0304*24

Overview

Model engine output	Tyres	Tyre size	Wheel rim	Offset in mm	Snow chains	Remarks
1.2l 77 kW petrol engine	Standard tyres	195/65 R 15 91T	6 J x 15 ⇒ page 230	47	Yes	General information on: ◆ Winter tyres ⇒ page 14 ◆ Snow chains ⇒ page 17
	Modification	195/65 R 15 91H/V	6 J x 15 ⇒ page 230	47	Yes	Tyre makes recommended by Volkswagen: ◆ Summer tyres ⇒ page 472 ◆ Winter tyres ⇒ page 496
		195/65 R 15 91T/H/V	6 1/2 J x 15 ⇒ page 231	50	Yes	
		205/60 R 15 91T/H/V	6 J x 15 ⇒ page 230	47	Yes	
		205/55 R 16 91T/H/V/W	6 1/2 J x 16 ⇒ page 233	50	No	
Winter tyres	195/65 R 15 91Q/T/H	6 J x 15 ⇒ page 230	47	Yes		

Tyre pressures are printed on the tyre inflation pressure label, which can be found on the inside of the tank flap and on the driver's B-pillar.

Golf Plus BlueMotion, type approval code 1KP

Appendix to certificate statement 8107901214

The certificate statement can be found on the Volkswagen ServiceNet under Accessories/Tyres, Wheels and Tyres, Wheels and Tyres Guide.

Type Approval No.: e1*2001/116*0304*25

Overview

Model engine output	Tyres	Tyre size	Wheel rim	Offset in mm	Snow chains	Remarks
1.2l 77 kW petrol engine	Standard tyres	195/65 R 15 91T	6 J x 15 ⇒ page 230	47	Yes	General information on: ◆ Winter tyres ⇒ page 14 ◆ Snow chains ⇒ page 17



Model engine output	Tyres	Tyre size	Wheel rim	Off-set in mm	Snow chains	Remarks
1.6 l 77 kW TDI: diesel engine	Modification	195/65 R 15 91H/V	6 J x 15 ⇒ page 230	47	Yes	Tyre makes recommended by Volkswagen: ◆ Summer tyres ⇒ page 472 ◆ Winter tyres ⇒ page 496
		195/65 R 15 91T/H/V	6 1/2 J x 15 ⇒ page 231	50	Yes	
		205/60 R 15 91T/H/V	6 J x 15 ⇒ page 230	47	Yes	
		205/55 R 16 91T/H/V/W	6 1/2 J x 16 ⇒ page 233	50	No	
	Winter tyres	195/65 R 15 91Q/T/H	6 J x 15 ⇒ page 230	47	Yes	
		205/55 R 16 91T/H	6 J x 16 ⇒ page 232	50	Yes	

Tyre pressures are printed on the tyre inflation pressure label, which can be found on the inside of the tank flap and on the driver's B-pillar.

27.2 Wheel allocation for Golf Plus BlueMotion, sales type 521, model year 2010 to model year 2012

Golf Plus, type approval code 1KP

Explanation of information on wheels ⇒ [page 49](#)

Torque settings for wheel bolts ⇒ Running gear, axles, steering;
Rep. gr. 44 ; Torque settings for fitting wheels

Pitch circle diameter: 112 mm

Number of wheel bolt holes: 5

27.2.1 6 J x 15



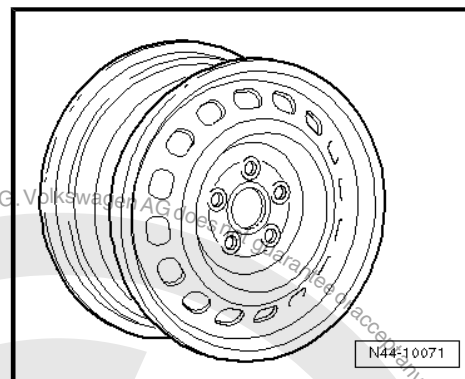
Caution

Observe the allocation of wheels and tyres to the respective engines, which are listed in the overview table ⇒ [page 229](#).



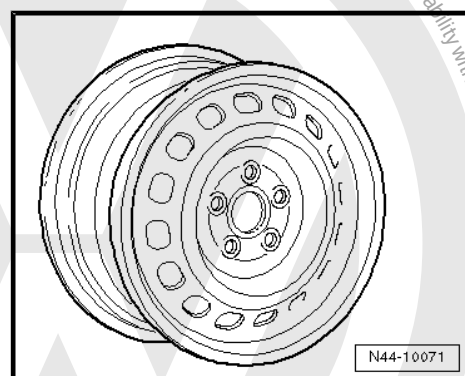
1K0 601 027 H, 1K0 601 027 AG - Wheel and tyre combination
⇒ [page 229](#)

Size:	6 J x 15
Wheel offset in mm:	47
Wheel load in kg:	615



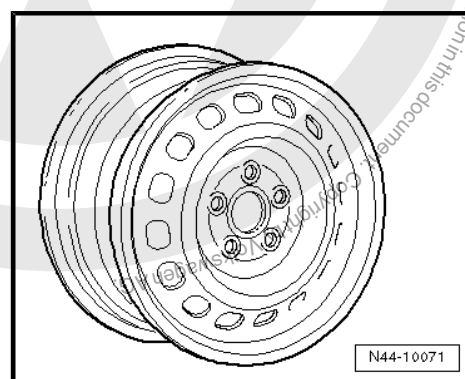
1K0 601 027 C, 1K0 601 027 T - Wheel and tyre combination
⇒ [page 229](#)

Size:	6 J x 15
Wheel offset in mm:	47
Wheel load in kg:	615



2K0 601 027 - Wheel and tyre combination ⇒ [page 229](#)

Size:	6 J x 15
Wheel offset in mm:	47
Wheel load in kg:	650



27.2.2 6¹/₂ J x 15

	Caution
<i>Observe the allocation of wheels and tyres to the respective engines, which are listed in the overview table ⇒ page 229 .</i>	

5k0 601 025 J - Wheel and tyre combination ⇒ [page 229](#)

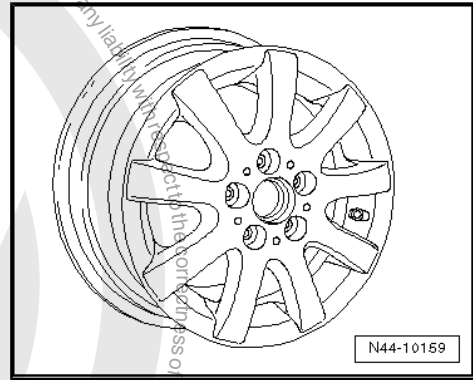
Size:	6 ¹ / ₂ J x 15
Wheel offset in mm:	50
Wheel load in kg:	600





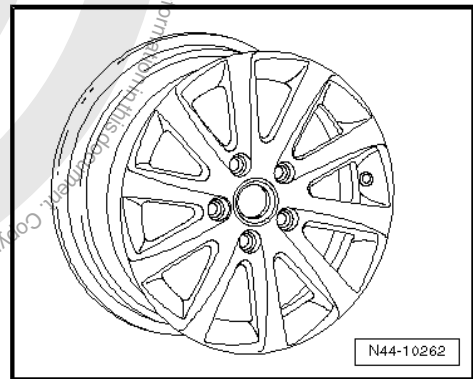
1K0 601,025 A - Wheel and tyre combination ⇒ page 229

Size:	6 ¹ / ₂ J x 15
Wheel offset in mm:	50
Wheel load in kg:	600



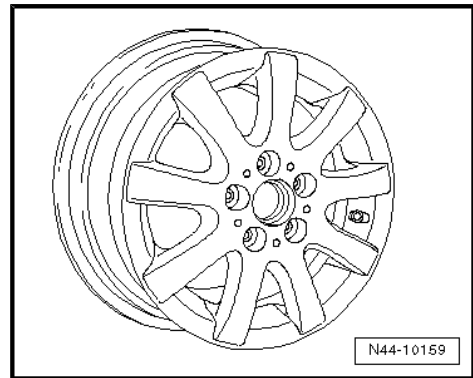
1K0 601 025 AK - Wheel and tyre combination ⇒ page 229

Size:	6 ¹ / ₂ J x 15
Wheel offset in mm:	50
Wheel load in kg:	600



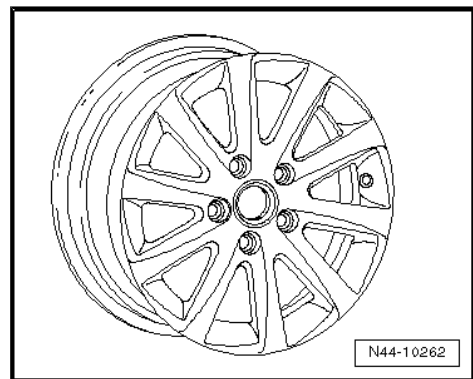
1K0 601 025 AQ - Wheel and tyre combination ⇒ page 229

Size:	6 ¹ / ₂ J x 15
Wheel offset in mm:	50
Wheel load in kg:	600



1K0 601 025 CA - Wheel and tyre combination ⇒ page 229

Size:	6 ¹ / ₂ J x 15
Wheel offset in mm:	50
Wheel load in kg:	600



27.2.3 6 J x 16



Caution

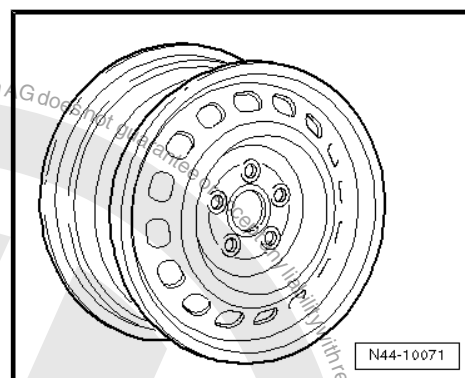
Observe the allocation of wheels and tyres to the respective engines, which are listed in the overview table ⇒ page 229 .



Winter wheels

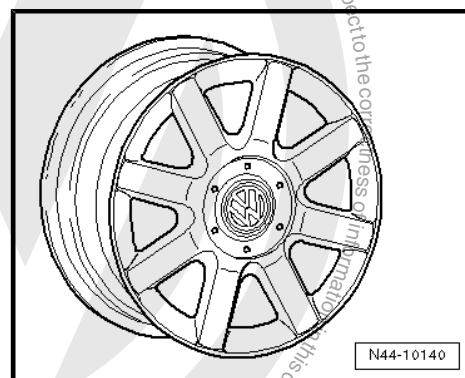
8P0 601 027 - Wheel and tyre combination ⇒ page 230

Size:	6 J x 16
Wheel offset in mm:	50
Wheel load in kg:	600



1K0 601 025 Q - Wheel and tyre combination ⇒ page 230

Size:	6 J x 16 EH2 ⇒ page 49
Wheel offset in mm:	50
Wheel load in kg:	615

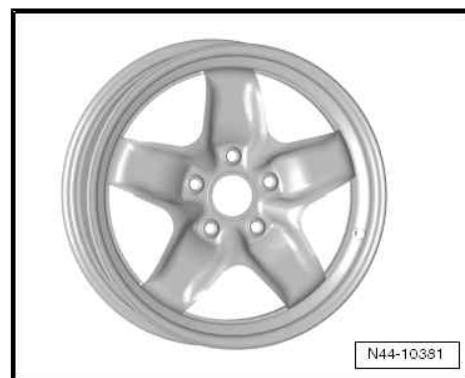


27.2.4 6¹/₂ J x 16

	Caution
<i>Observe the allocation of wheels and tyres to the respective engines, which are listed in the overview table ⇒ page 229 .</i>	

5K0 601 027 - Wheel and tyre combination ⇒ page 229

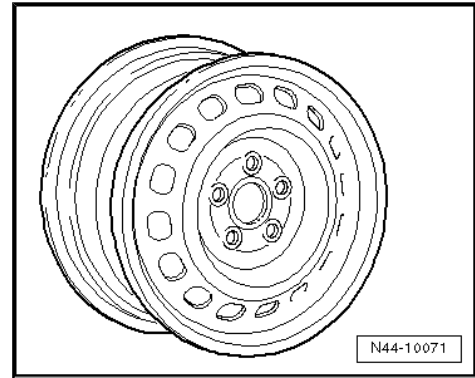
Size:	6 ¹ / ₂ J x 16
Wheel offset in mm:	50
Wheel load in kg:	615





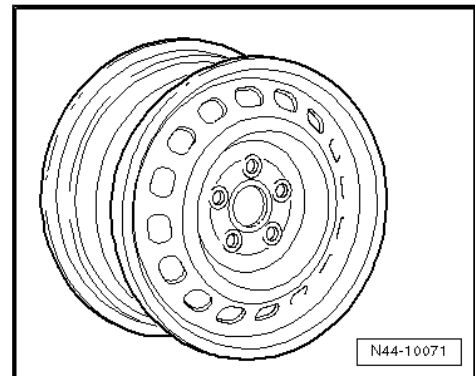
1K0 601 027 A, 1K0 601 027 AH - Wheel and tyre combination
⇒ [page 229](#)

Size:	6 ¹ / ₂ J x 16
Wheel offset in mm:	50
Wheel load in kg:	615



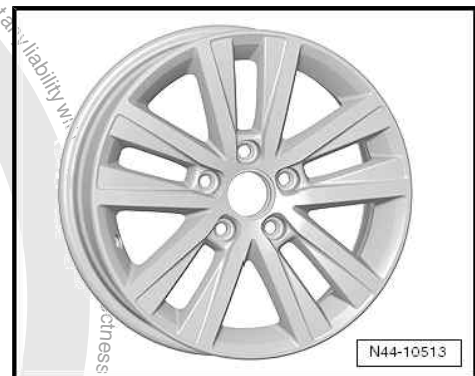
1K0 601 027 J - Wheel and tyre combination ⇒ [page 229](#)

Size:	6 ¹ / ₂ J x 16
Wheel offset in mm:	50
Wheel load in kg:	615



5K0 601 025 AE - Wheel and tyre combination ⇒ [page 229](#)

Size:	6 ¹ / ₂ J x 16
Wheel offset in mm:	50
Wheel load in kg:	615



5K0 601 025 E - Wheel and tyre combination ⇒ [page 229](#)

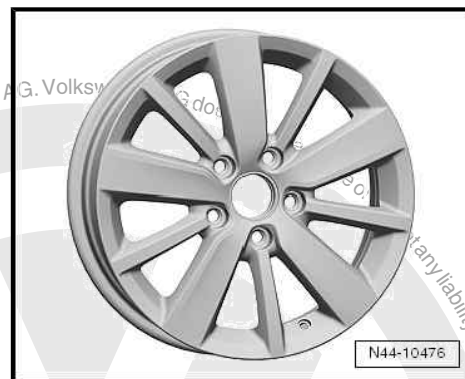
Size:	6 ¹ / ₂ J x 16
Wheel offset in mm:	50
Wheel load in kg:	615





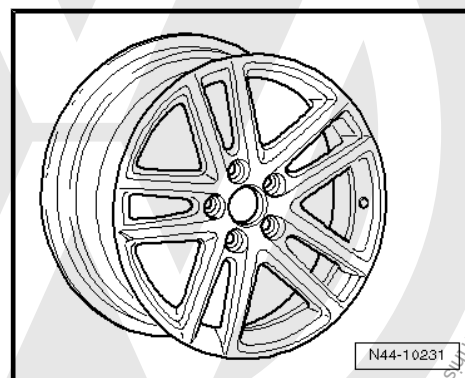
5K0 601 025 S - Wheel and tyre combination ⇒ page 229

Size:	6 ¹ / ₂ J x 16
Wheel offset in mm:	50
Wheel load in kg:	615



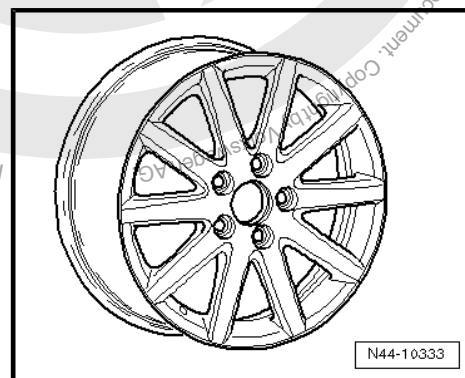
1K0 601 025 AJ - Wheel and tyre combination ⇒ page 229

Size:	6 ¹ / ₂ J x 16
Wheel offset in mm:	50
Wheel load in kg:	615



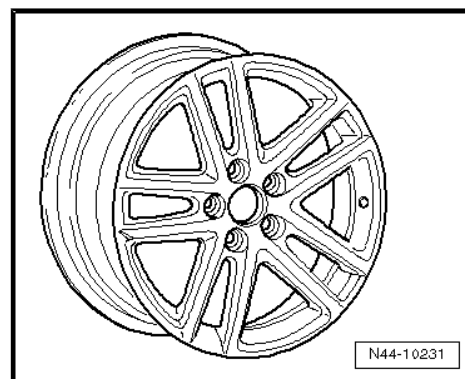
1K0 601 025 BC - Wheel and tyre combination ⇒ page 229

Size:	6 ¹ / ₂ J x 16
Wheel offset in mm:	50
Wheel load in kg:	615



1K0 601 025 BM - Wheel and tyre combination ⇒ page 229

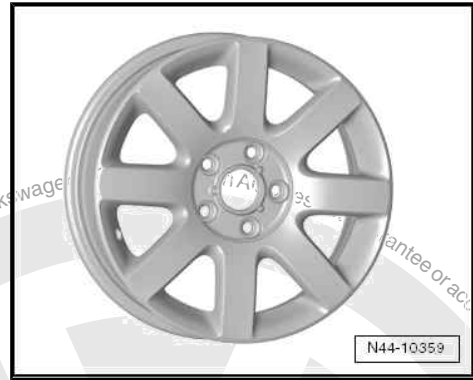
Size:	6 ¹ / ₂ J x 16
Wheel offset in mm:	50
Wheel load in kg:	615





1K0 601 025 BR - Wheel and tyre combination ⇒ [page 229](#)

Size:	6 ¹ / ₂ J x 16
Wheel offset in mm:	50
Wheel load in kg:	615



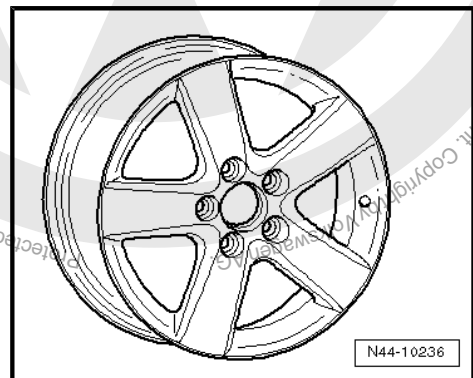
1K0 601 025 BS - Wheel and tyre combination ⇒ [page 229](#)

Size:	6 ¹ / ₂ J x 16
Wheel offset in mm:	50
Wheel load in kg:	615



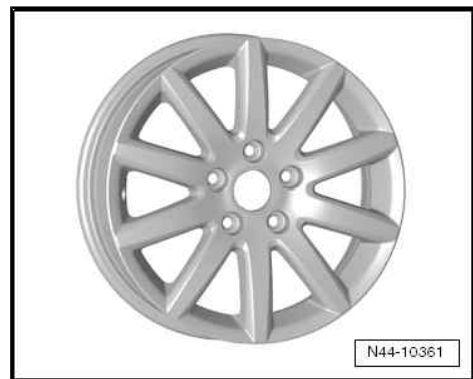
1K0 601 025 CB - Wheel and tyre combination ⇒ [page 229](#)

Size:	6 ¹ / ₂ J x 16
Wheel offset in mm:	50
Wheel load in kg:	615



1K0 601 025 CG - Wheel and tyre combination ⇒ [page 229](#)

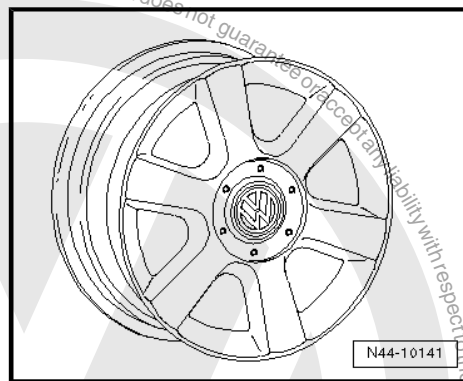
Size:	6 ¹ / ₂ J x 16
Wheel offset in mm:	50
Wheel load in kg:	615





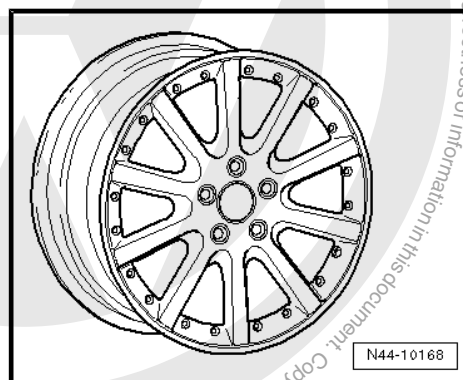
1T0 601 025 C - Wheel and tyre combination ⇒ page 229

Size:	6 ¹ / ₂ J x 16
Wheel offset in mm:	50
Wheel load in kg:	615



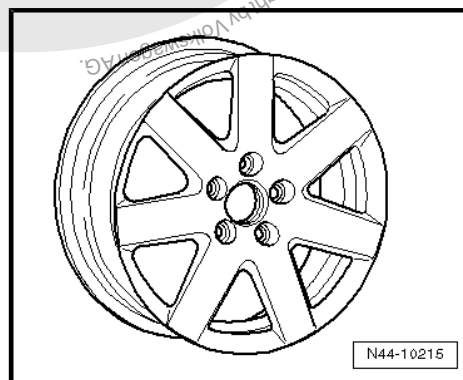
1K0 601 025 F - Wheel and tyre combination ⇒ page 229

Size:	6 ¹ / ₂ J x 16
Wheel offset in mm:	50
Wheel load in kg:	615



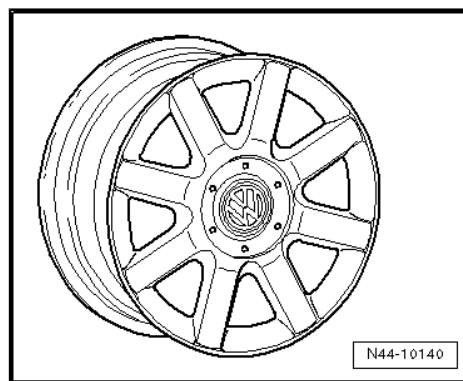
1K0 601 025 P - Wheel and tyre combination ⇒ page 229

Size:	6 ¹ / ₂ J x 16
Wheel offset in mm:	50
Wheel load in kg:	615



1K0 601 025 R - Wheel and tyre combination ⇒ page 229

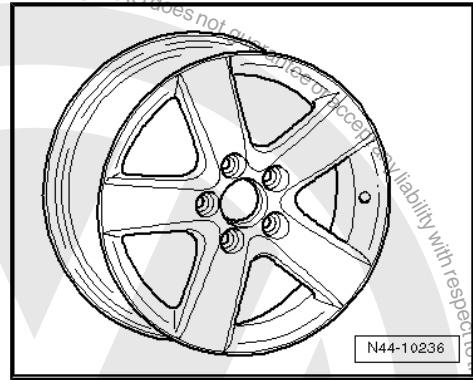
Size:	6 ¹ / ₂ J x 16
Wheel offset in mm:	50
Wheel load in kg:	615





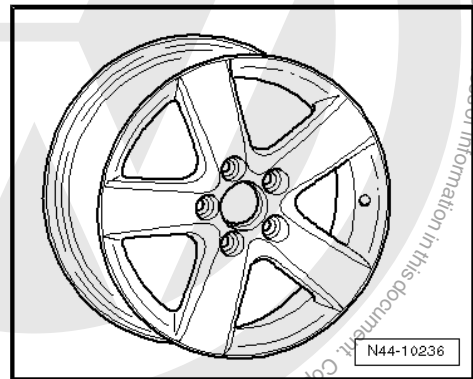
1T0 601 025 G, 1T0 601 025 K - Wheel and tyre combination
⇒ [page 229](#)

Size:	6 ¹ / ₂ J x 16
Wheel offset in mm:	50
Wheel load in kg:	615



1T0 601 025 M - Wheel and tyre combination ⇒ [page 229](#)

Size:	6 ¹ / ₂ J x 16
Wheel offset in mm:	50
Wheel load in kg:	615



1T0 601 025 R - Wheel and tyre combination ⇒ [page 229](#)

Size:	6 ¹ / ₂ J x 16
Wheel offset in mm:	50
Wheel load in kg:	615





28 Golf Variant from model year 2010

General

Volkswagen vehicles are built according to the latest findings in safety engineering. To keep it that way, we recommend the use of only genuine Volkswagen spare parts. You can recognise this by the VW Audi logo and by the part number. It has been established that these parts are reliable, safe and suitable.

Despite constant appraisal of the market, we cannot assess other products on these points, even when in isolated cases they have been passed by official inspectors or have been granted official approval. Therefore, we cannot, of course, assume any liability if these products are installed.



WARNING

The products from Volkswagen genuine parts and Volkswagen accessories may differ in fitting requirements, torque specifications and so on.

Always follow the respective fitting and operating instructions.

The wheel and tyre combinations or changes listed in the vehicle tables refer exclusively to Volkswagen Genuine wheels. Approval of wheel and tyre combinations or a change to wheels from the accessories trade is not possible with the certificate statement attached here.



WARNING

The fitting instructions and torque specifications for wheels from Volkswagen accessories may differ from those intended for wheels from Volkswagen genuine parts.

Therefore, always observe the torque settings for the wheel bolts as well as the respective fitting and operating instructions.

28.1 Golf Variant, Golf Variant 4Motion, sales type AJ5 model year 2010 to model year 2012



Caution

The Golf Variant and Golf Variant 4Motion will be listed according to the sales types and not by the type approval model codes.

The type approval model code and the associated type approval number are listed as follows.



Caution

*Observe wheel and tyre combinations for vehicles as of type approval number: e1*2001/116*0328*17 ⇒ [page 242](#) .*

Golf Variant, type approval code 1KM

Appendix to certificate statement 8107901214



The certificate statement can be found on the Volkswagen ServiceNet under Accessories/Tyres, Wheels and Tyres, Wheels and Tyres Guide.

Type Approval No.: e1*2001/116*0328*15 to e1*2001/116*0328*16

Overview

Model engine output	Tyres	Tyre size	Wheel rim	Offset in mm	Snow chains	Remarks
1.6l 75 kW; 1.4l 59 kW petrol engine	Standard tyres	195/65 R 15 91T	6 J x 15 ⇒ page 245	47	Yes	General information on: ◆ Winter tyres ⇒ page 14 ◆ Snow chains ⇒ page 17
	Modification	195/65 R 15 91H/V	6 J x 15 ⇒ page 245	47	Yes	
1.6l 77 kW TDI diesel engine	Modification	195/65 R 15 91T/H/V	6 1/2 J x 15 ⇒ page 246	50	Yes	Tyre makes recommended by Volkswagen: ◆ Summer tyres ⇒ page 473 ◆ All-season tyres ⇒ page 487 ◆ Winter tyres ⇒ page 496
		205/60 R 15 91T/H/V	6 J x 15 ⇒ page 245	47	Yes	
		205/55 R 16 91T/H/V	6 1/2 J x 16 ⇒ page 248	50	No	
		225/45 R 17 91T/H/V	7 J x 17 ⇒ page 254	54	No	
		225/40 R 18 92Y* ⇒ page 240	7 1/2 J x 18 ⇒ page 259	51	No	
		195/65 R 15 91Q/T/H	6 J x 15 ⇒ page 245	47	Yes	
		205/55 R 16 91Q/T/H	6 J x 16 ⇒ page 247	50	Yes	
	Winter tyres	195/65 R 15 91Q/T/H	6 J x 15 ⇒ page 245	47	Yes	
1.4l 90 kW petrol engine	Standard tyres	195/65 R 15 91H	6 J x 15 ⇒ page 245	47	Yes	
	Modification	195/65 R 15 91V	6 J x 15 ⇒ page 245	47	Yes	
		195/65 R 15 91H/V	6 1/2 J x 15 ⇒ page 246	50	Yes	



Model engine output	Tyres	Tyre size	Wheel rim	Off-set in mm	Snow chains	Remarks	
		205/60 R 15 91H/V	6 J x 15 ⇒ page 245	47	Yes		
		205/55 R 16 91H/V/W	6 ¹ / ₂ J x 16 ⇒ page 248	50	No		
		225/45 R 17 91H/V/W	7 J x 17 ⇒ page 254	54	No		
		225/40 R 18 92Y* ⇒ page 241	7 ¹ / ₂ J x 18 ⇒ page 259	51	No		* 225/40 R 18 92Y tyres on 7 ¹ / ₂ J x 18 rims with an offset of 51 are permitted only on vehicles with sports running gear and rear axle camber of -1°45'! ⇒ page 259
	Winter tyres	195/65 R 15 91Q/T/H	6 J x 15 ⇒ page 245	47	Yes		
		205/55 R 16 91Q/T/H	6 J x 16 ⇒ page 247	50	Yes		
2.0 l 100 kW TDI; 2.0 l 103 kW TDI; diesel engine	Standard tyres	205/55 R 16 91H/V/W	6 ¹ / ₂ J x 16 ⇒ page 248	50	No		
	Modification	225/45 R 17 91H/V/W	7 J x 17 ⇒ page 254	54	No		
		225/40 R 18 92Y* ⇒ page 241	7 ¹ / ₂ J x 18 ⇒ page 259	51	No		* 225/40 R 18 92Y tyres on 7 ¹ / ₂ J x 18 rims with an offset of 51 are permitted only on vehicles with sports running gear and rear axle camber of -1°45'! ⇒ page 259
	Winter tyres	205/55 R 16 91Q/T/H	6 J x 16 ⇒ page 247	50	Yes		
1.4 l 118 kW; petrol engine	Standard tyres	205/55 R 16 91V	6 ¹ / ₂ J x 16 ⇒ page 248	50	No		
	Modification	225/45 R 17 91V/W	7 J x 17 ⇒ page 254	54	No		
		225/40 R 18 92Y* ⇒ page 241	7 ¹ / ₂ J x 18 ⇒ page 259	51	No		* 225/40 R 18 92Y tyres on 7 ¹ / ₂ J x 18 rims with an offset of 51 are permitted only on vehicles with sports running gear and rear axle camber of -1°45'! ⇒ page 259



Model engine output	Tyres	Tyre size	Wheel rim	Offset in mm	Snow chains	Remarks
	Winter tyres	205/55 R 16 91Q/T/H	6 J x 16 ⇒ page 247	50	Yes	

Tyre pressures are printed on the tyre inflation pressure label, which can be found on the inside of the tank flap and on the driver's B-pillar.

Golf Variant, Golf Variant 4Motion, type approval code 1KM

Appendix to certificate statement 8107901214

The certificate statement can be found on the Volkswagen ServiceNet under Accessories/Tyres, Wheels and Tyres, Wheels and Tyres Guide.

Type Approval No.: e1*2001/116*0328*17 to e1*2001/116*0328*22

Overview

Model engine output	Tyres	Tyre size	Wheel rim	Offset in mm	Snow chains	Remarks
1.2 63 kW; 1.2 77 kW; 1.6 75 kW 1.4 59 kW petrol engines	Standard tyres	195/65 R 15 91T	6 J x 15 ⇒ page 245	47	Yes	General information on: ◆ Winter tyres ⇒ page 14 ◆ Snow chains ⇒ page 17
1.6 66 kW TDI diesel engine	Modification	195/65 R 15 91H/V	6 J x 15 ⇒ page 245	47	Yes	Tyre makes recommended by Volkswagen: ◆ Summer tyres ⇒ page 473 ◆ All-season tyres ⇒ page 487 ◆ Winter tyres ⇒ page 496
1.6 77 kW TDI diesel engine with front-wheel drive		195/65 R 15 91T/H/V	6 ¹ / ₂ J x 15 ⇒ page 246	50	Yes	
		205/60 R 15 91T/H/V	6 J x 15 ⇒ page 245	47	Yes	
		205/55 R 16 91T/H/V	6 ¹ / ₂ J x 16 ⇒ page 248	50	No	
		225/45 R 17 91T/H/V	7 J x 17 ⇒ page 254	54	No	
		225/45 R 17 91T/H/V/ W * ⇒ page 242	7 ¹ / ₂ J x 17 ⇒ page 257	51	No	



Model engine output	Tyres	Tyre size	Wheel rim	Off-set in mm	Snow chains	Remarks
		225/40 R 18 92Y** ⇒ page 243	7 ¹ / ₂ J x 18 ⇒ page 259	51	No	** 225/40 R 18 92Y tyres on 7 ¹ / ₂ J x 18 rims with an offset of 51 are permitted only on vehicles with sports running gear and rear axle camber of -1°45'! ⇒ page 259
	Winter tyres	195/65 R 15 91Q/T/H	6 J x 15 ⇒ page 245	47	Yes	
		205/55 R 16 91Q/T/H	6 J x 16 ⇒ page 247	50	Yes	
1.6 l 77 kW TDI diesel engine with four-wheel drive	Standard tyres	205/55 R 16 91T/H/V	6 ¹ / ₂ J x 16 ⇒ page 248	50	No	
	Modification	225/45 R 17 91T/H/V	7 J x 17 ⇒ page 254	54	No	
		225/45 R 17 91T/H/V/W * ⇒ page 243	7 ¹ / ₂ J x 17 ⇒ page 257	51	No	* 225/45 R 17 91T/H/V/W tyres on 7 ¹ / ₂ J x 17 rims with an offset of 51 are permitted only on vehicles with sports running gear!
		225/40 R 18 92Y** ⇒ page 243	7 ¹ / ₂ J x 18 ⇒ page 259	51	No	** 225/40 R 18 92Y tyres on 7 ¹ / ₂ J x 18 rims with an offset of 51 are permitted only on vehicles with sports running gear and rear axle camber of -1°45'! ⇒ page 259
	Winter tyres	205/55 R 16 91Q/T/H	6 J x 16 ⇒ page 247	50	Yes	
1.4l 90 kW petrol engine	Standard tyres	195/65 R 15 91H	6 J x 15 ⇒ page 245	47	Yes	
	Modification	195/65 R 15 91V	6 J x 15 ⇒ page 245	47	Yes	
		195/65 R 15 91H/V	6 ¹ / ₂ J x 15 ⇒ page 246	50	Yes	
		205/60 R 15 91H/V	6 J x 15 ⇒ page 245	47	Yes	
		205/55 R 16 91H/V/W	6 ¹ / ₂ J x 16 ⇒ page 248	50	No	



Model engine output	Tyres	Tyre size	Wheel rim	Offset in mm	Snow chains	Remarks
		205/50 R 17 93H/V/W	6 J x 17 ⇒ page 253	48.5	Yes* ⇒ page 244	* Only snow chains with fine links of no more than 8 mm may be used ⇒ Electronic parts catalogue „ETKA - Accessories catalogue“ . ** 225/45 R 17 91T/H/V/W tyres on 7 ¹ / ₂ J x 17 rims with an offset of 51 are permitted only on vehicles with sports running gear! *** 225/40 R 18 92Y tyres on 7 ¹ / ₂ J x 18 rims with an offset of 51 are permitted only on vehicles with sports running gear and rear axle camber of -1°45'! ⇒ page 259
		225/45 R 17 91H/V/W	7 J x 17 ⇒ page 254	54	No	
		225/45 R 17 91H/V/W** ⇒ page 244	7 ¹ / ₂ J x 17 ⇒ page 257	51	No	
		225/40 R 18 92Y*** ⇒ page 244	7 ¹ / ₂ J x 18 ⇒ page 259	51	No	
	Winter tyres	195/65 R 15 91Q/T/H	6 J x 15 ⇒ page 245	47	Yes	
		205/55 R 16 91Q/T/H	6 J x 16 ⇒ page 247	50	Yes	
2.0 l 100 kW TDI; 2.0 l 103 kW TDI; diesel engine	Standard tyres	205/55 R 16 91H/V/W	6 ¹ / ₂ J x 16 ⇒ page 248	50	No	* 225/45 R 17 91T/H/V/W tyres on 7 ¹ / ₂ J x 17 rims with an offset of 51 are permitted only on vehicles with sports running gear! ** 225/40 R 18 92Y tyres on 7 ¹ / ₂ J x 18 rims with an offset of 51 are permitted only on vehicles with sports running gear and rear axle camber of -1°45'! ⇒ page 259
	Modification	225/45 R 17 91H/V/W	7 J x 17 ⇒ page 254	54	No	
		225/45 R 17 91H/V/W* ⇒ page 244	7 ¹ / ₂ J x 17 ⇒ page 257	51	No	
		225/40 R 18 92Y** ⇒ page 244	7 ¹ / ₂ J x 18 ⇒ page 259	51	No	
	Winter tyres	205/55 R 16 91Q/T/H	6 J x 16 ⇒ page 247	50	Yes	



Model engine output	Tyres	Tyre size	Wheel rim	Off-set in mm	Snow chains	Remarks
1.4 I 118 kW; petrol engine	Standard tyres	205/55 R 16 91V	6 ¹ / ₂ J x 16 ⇒ page 248	50	No	
	Modification	205/50 R 17 93V/W	6 J x 17 ⇒ page 253	48.5	Yes* ⇒ page 244	
		225/45 R 17 91V/W	7 J x 17 ⇒ page 254	54	No	
		225/45 R 17 91V/W * ⇒ page 245	7 ¹ / ₂ J x 17 ⇒ page 257	51	No	* 225/45 R 17 91T/H/V/W tyres on 7 ¹ / ₂ J x 17 rims with an offset of 51 are permitted only on vehicles with sports running gear!
		225/40 R 18 92Y** ⇒ page 245	7 ¹ / ₂ J x 18 ⇒ page 259	51	No	** 225/40 R 18 92Y tyres on 7 ¹ / ₂ J x 18 rims with an offset of 51 are permitted only on vehicles with sports running gear and rear axle camber of -1°45'! ⇒ page 259
	Winter tyres	205/55 R 16 91Q/T/H	6 J x 16 ⇒ page 247	50	Yes	

Tyre pressures are printed on the tyre inflation pressure label, which can be found on the inside of the tank flap and on the driver's B-pillar.

28.2 Wheel allocation for Golf Variant, Golf Variant 4Motion, sales type AJ5 model year 2010 to model year 2012


Explanation of information on wheels ⇒ [page 49](#)

Torque settings for wheel bolts ⇒ Running gear, axles, steering;
Rep. gr. 44 ; Torque settings for fitting wheels

Pitch circle diameter: 112 mm

Number of wheel bolt holes: 5

28.2.1 6 J x 15



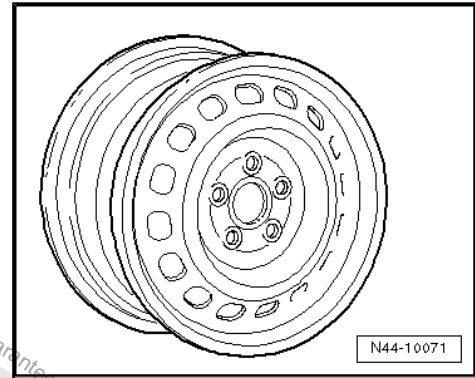
Caution

Observe the allocation of wheels and tyres to the respective engines, which are listed in the overview table ⇒ [page 240](#) .



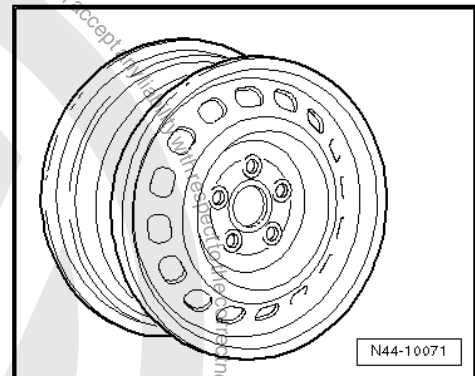
1K0 601 027 H, 1K0 601 027 AG - Wheel and tyre combination
⇒ [page 240](#)

Size:	6 J x 15
Wheel offset in mm:	47
Wheel load in kg:	615



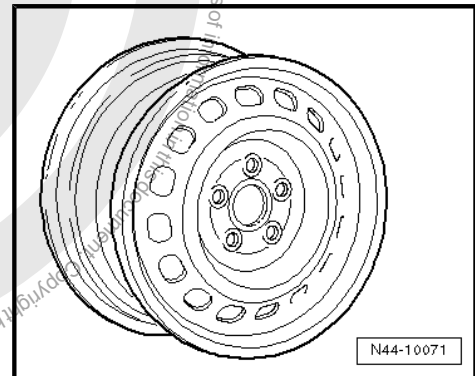
1K0 601 027 C, 1K0 601 027 T - Wheel and tyre combination
⇒ [page 240](#)

Size:	6 J x 15
Wheel offset in mm:	47
Wheel load in kg:	615



2K0 601 027 - Wheel and tyre combination ⇒ [page 240](#)

Size:	6 J x 15
Wheel offset in mm:	47
Wheel load in kg:	650



28.2.2 6¹/₂ J x 15

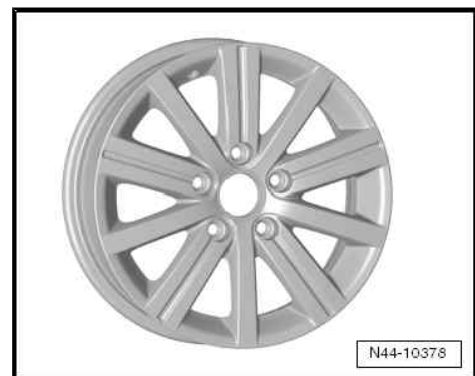


Caution

Observe the allocation of wheels and tyres to the respective engines, which are listed in the overview table ⇒ [page 240](#) .

5k0 601 025 J - Wheel and tyre combination ⇒ [page 240](#)

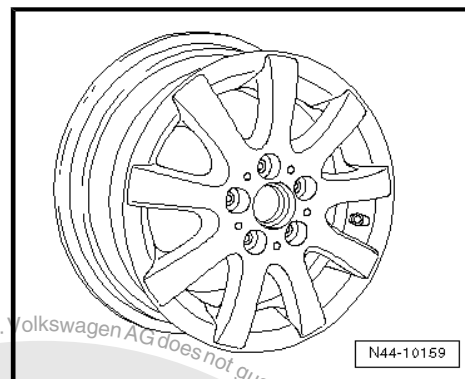
Size:	6 ¹ / ₂ J x 15
Wheel offset in mm:	50
Wheel load in kg:	600





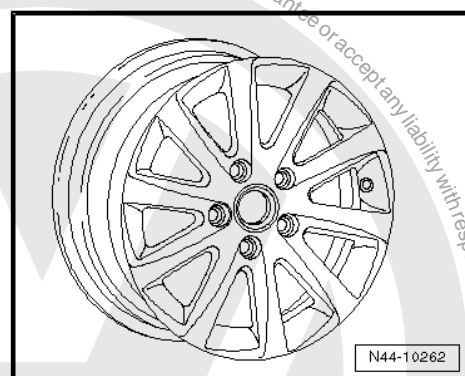
1K0 601,025 A - Wheel and tyre combination ⇒ page 240

Size:	6 ¹ / ₂ J x 15
Wheel offset in mm:	50
Wheel load in kg:	600



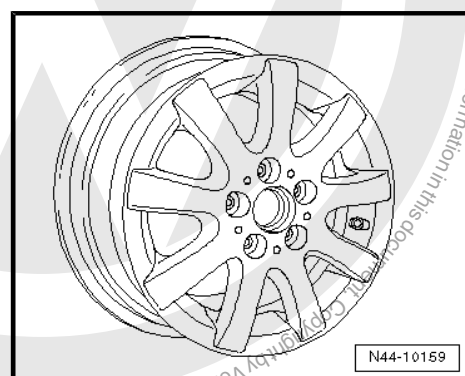
1K0 601 025 AK - Wheel and tyre combination ⇒ page 240

Size:	6 ¹ / ₂ J x 15
Wheel offset in mm:	50
Wheel load in kg:	600



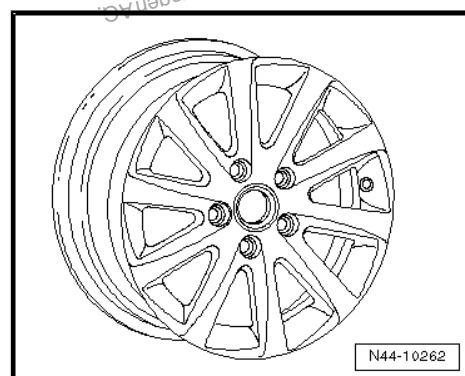
1K0 601 025 AQ - Wheel and tyre combination ⇒ page 240

Size:	6 ¹ / ₂ J x 15
Wheel offset in mm:	50
Wheel load in kg:	600



1K0 601 025 CA - Wheel and tyre combination ⇒ page 240

Size:	6 ¹ / ₂ J x 15
Wheel offset in mm:	50
Wheel load in kg:	600



28.2.3 6 J x 16



Caution

Observe the allocation of wheels and tyres to the respective engines, which are listed in the overview table ⇒ page 240 .



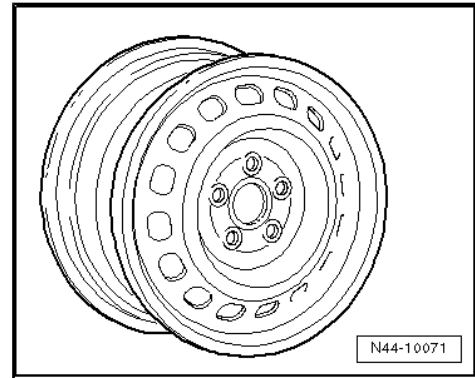
Winter wheels

8P0 601 027 - Wheel and tyre combination ⇒ page 240

Size:	6 J x 16
Wheel offset in mm:	50
Wheel load in kg:	600

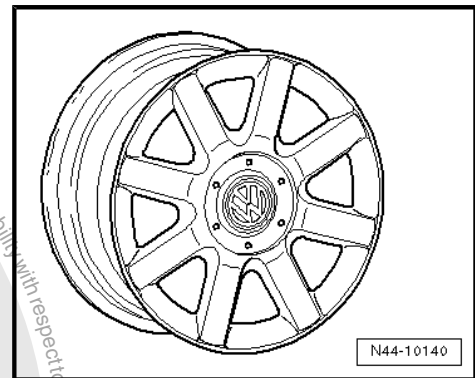
Use the following wheel bolt caps for wheel bolts:

- ◆ 1K0.601.173 (4 per wheel)
- ◆ 1K0.601.173.A (1 per wheel)



1K0 601 025 Q - Wheel and tyre combination ⇒ page 240

Size:	6 J x 16 EH2 ⇒ page 49
Wheel offset in mm:	50
Wheel load in kg:	615



28.2.4 6¹/₂ J x 16

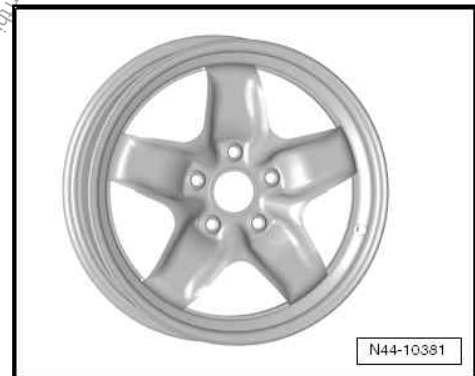


Caution

Observe the allocation of wheels and tyres to the respective engines, which are listed in the overview table ⇒ page 240 .

5K0 601 027 - Wheel and tyre combination ⇒ page 240

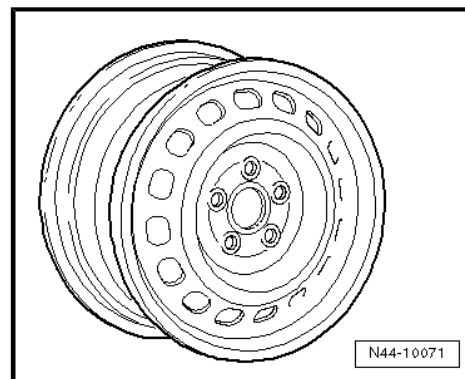
Size:	6 ¹ / ₂ J x 16
Wheel offset in mm:	50
Wheel load in kg:	615





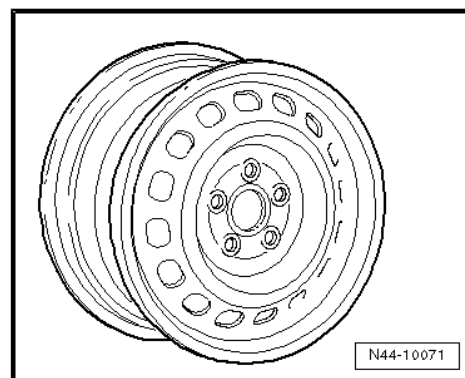
1K0 601 027 A, 1K0 601 027 AH - Wheel and tyre combination
 ⇒ [page 240](#)

Size:	6 ¹ / ₂ J x 16
Wheel offset in mm:	50
Wheel load in kg:	615



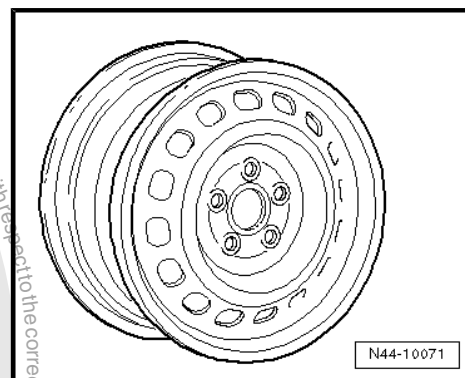
1K0 601 027 J - Wheel and tyre combination ⇒ [page 240](#)

Size:	6 ¹ / ₂ J x 16
Wheel offset in mm:	50
Wheel load in kg:	615



1K0 601 027 AK - Wheel and tyre combination ⇒ [page 240](#)

Size:	6 ¹ / ₂ J x 16
Wheel offset in mm:	50
Wheel load in kg:	615



5K0 601 025 AE - Wheel and tyre combination ⇒ [page 240](#)

Size:	6 ¹ / ₂ J x 16
Wheel offset in mm:	50
Wheel load in kg:	615



Protected by copyright. Copying for private commercial purposes, in part or in whole, is not authorised by Volkswagen AG. Volkswagen AG does not guarantee the availability with respect to the correctness of information in this document. Copyright by Volkswagen AG.



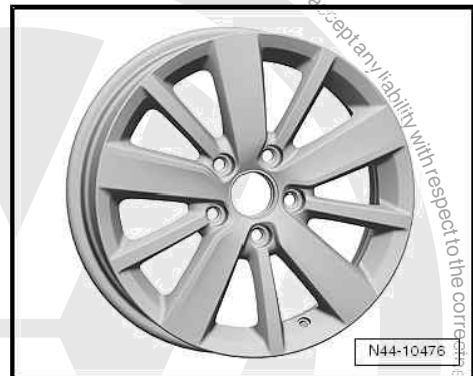
5K0 601 025 E - Wheel and tyre combination ⇒ page 240

Size:	6 ¹ / ₂ J x 16
Wheel offset in mm:	50
Wheel load in kg:	615



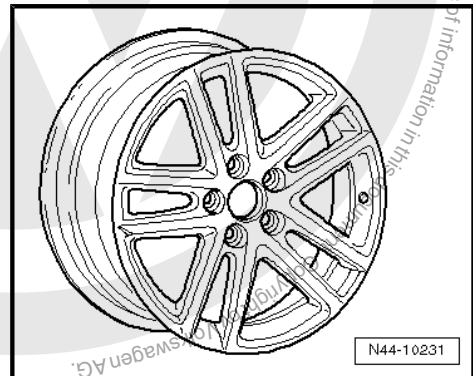
5K0 601 025 S - Wheel and tyre combination ⇒ page 240

Size:	6 ¹ / ₂ J x 16
Wheel offset in mm:	50
Wheel load in kg:	615



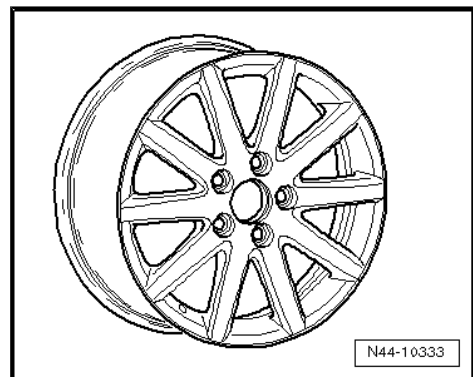
1K0 601 025 AJ - Wheel and tyre combination ⇒ page 240

Size:	6 ¹ / ₂ J x 16
Wheel offset in mm:	50
Wheel load in kg:	615



1K0 601 025 BC - Wheel and tyre combination ⇒ page 240

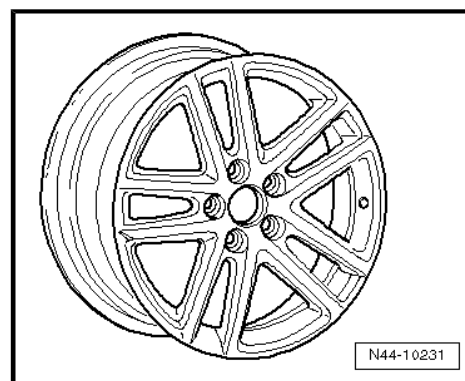
Size:	6 ¹ / ₂ J x 16
Wheel offset in mm:	50
Wheel load in kg:	615





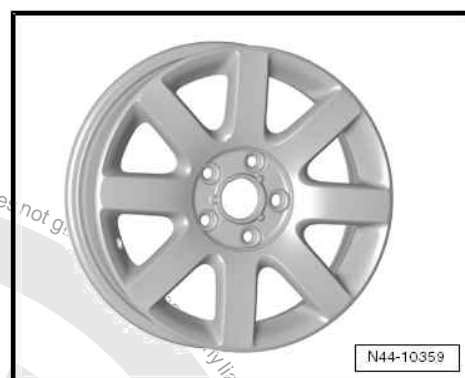
1K0 601 025 BM - Wheel and tyre combination ⇒ page 240

Size:	6 ¹ / ₂ J x 16
Wheel offset in mm:	50
Wheel load in kg:	615



1K0 601 025 BR - Wheel and tyre combination ⇒ page 240

Size:	6 ¹ / ₂ J x 16
Wheel offset in mm:	50
Wheel load in kg:	615



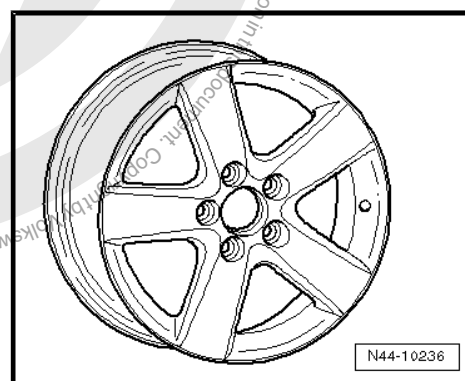
1K0 601 025 BS, 1K0 601 025 CH - Wheel and tyre combination ⇒ page 240

Size:	6 ¹ / ₂ J x 16
Wheel offset in mm:	50
Wheel load in kg:	615



1K0 601 025 CB - Wheel and tyre combination ⇒ page 240

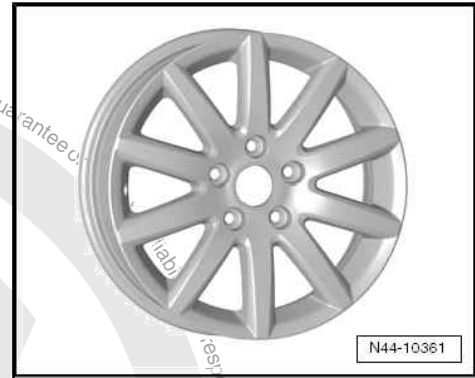
Size:	6 ¹ / ₂ J x 16
Wheel offset in mm:	50
Wheel load in kg:	615





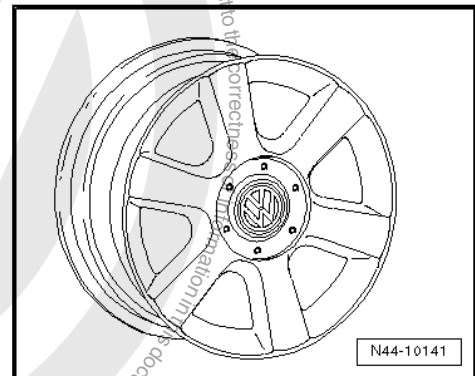
1K0 601 025 CG - Wheel and tyre combination ⇒ page 240

Size:	6 ¹ / ₂ J x 16
Wheel offset in mm:	50
Wheel load in kg:	615



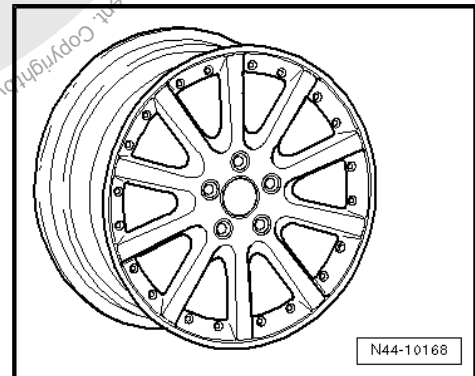
1T0 601 025 C - Wheel and tyre combination ⇒ page 240

Size:	6 ¹ / ₂ J x 16
Wheel offset in mm:	50
Wheel load in kg:	615



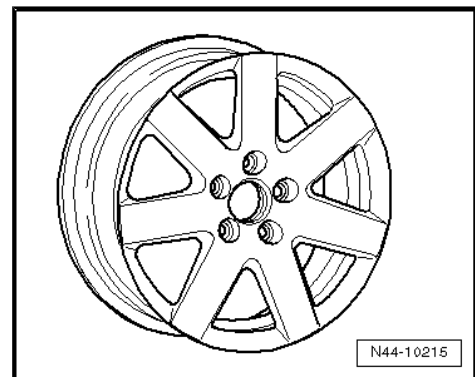
1K0 601 025 F - Wheel and tyre combination ⇒ page 240

Size:	6 ¹ / ₂ J x 16
Wheel offset in mm:	50
Wheel load in kg:	615



1K0 601 025 P - Wheel and tyre combination ⇒ page 240

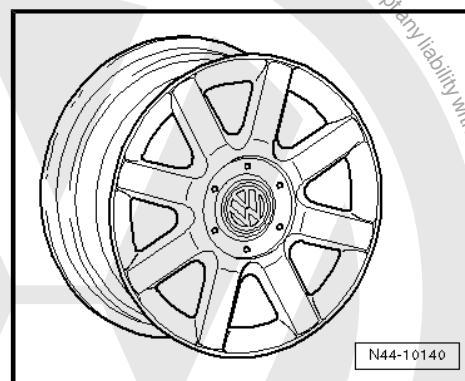
Size:	6 ¹ / ₂ J x 16
Wheel offset in mm:	50
Wheel load in kg:	615





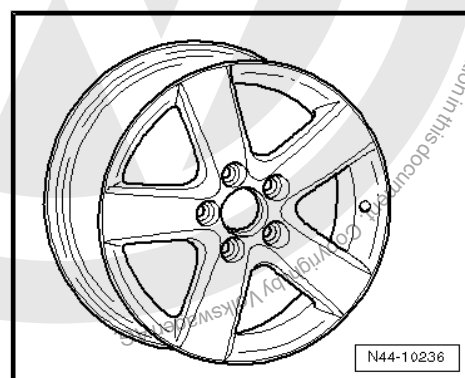
1K0 601 025 R - Wheel and tyre combination ⇒ page 240

Size:	6 ¹ / ₂ J x 16
Wheel offset in mm:	50
Wheel load in kg:	615



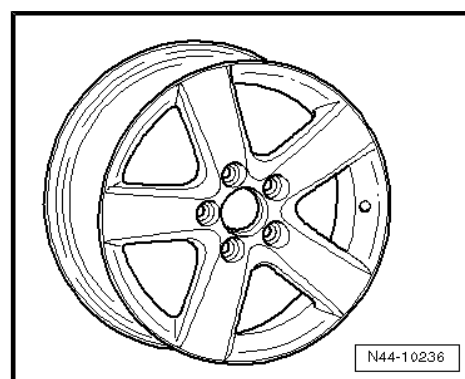
1T0 601 025 G, 1T0 601 025 K - Wheel and tyre combination ⇒ page 240

Size:	6 ¹ / ₂ J x 16
Wheel offset in mm:	50
Wheel load in kg:	615



1T0 601 025 M - Wheel and tyre combination ⇒ page 240

Size:	6 ¹ / ₂ J x 16
Wheel offset in mm:	50
Wheel load in kg:	615



1T0 601 025 R - Wheel and tyre combination ⇒ page 240

Size:	6 ¹ / ₂ J x 16
Wheel offset in mm:	50
Wheel load in kg:	615



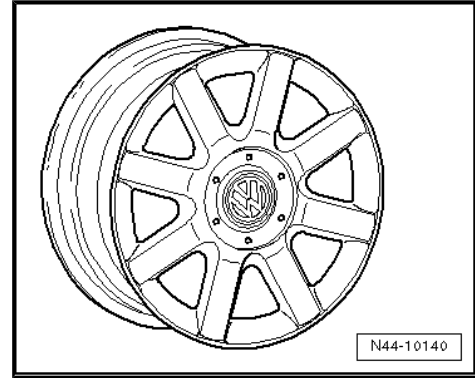
28.2.5 6 J x 17

	<p>Caution</p> <p><i>Observe the allocation of wheels and tyres to the respective engines, which are listed in the overview table ⇒ page 240 .</i></p>
--	---



1K0 601 025 N - Wheel and tyre combination ⇒ page 244

Size:	6 J x 17
Wheel offset in mm:	48.5
Wheel load in kg:	615



28.2.6 7 J x 17

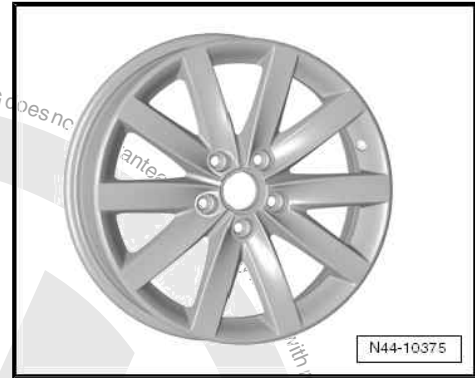


Caution

Observe the allocation of wheels and tyres to the respective engines, which are listed in the overview table ⇒ page 240 .

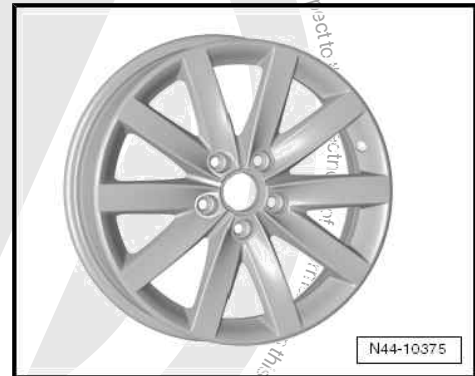
5K0 601 025 D - Wheel and tyre combination ⇒ page 240

Size:	7 J x 17
Wheel offset in mm:	54
Wheel load in kg:	615



5K0 601 025 F - Wheel and tyre combination ⇒ page 240

Size:	7 J x 17
Wheel offset in mm:	54
Wheel load in kg:	615



5K0 601 025 K - Wheel and tyre combination ⇒ page 240

Size:	7 J x 17
Wheel offset in mm:	54
Wheel load in kg:	615





5K0 601 025 Q, 5K0 601 025 R - Wheel and tyre combination
⇒ [page 240](#)

Size:	7 J x 17
Wheel offset in mm:	54
Wheel load in kg:	615



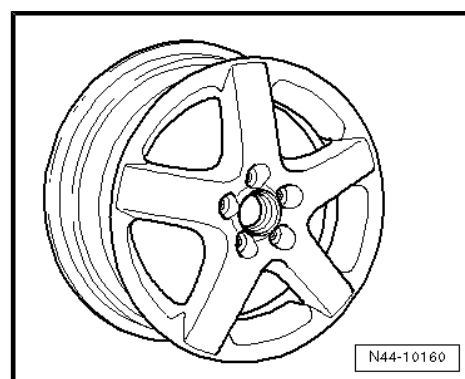
5K0 601 025 AA - Wheel and tyre combination ⇒ [page 240](#)

Size:	7 J x 17
Wheel offset in mm:	54
Wheel load in kg:	615



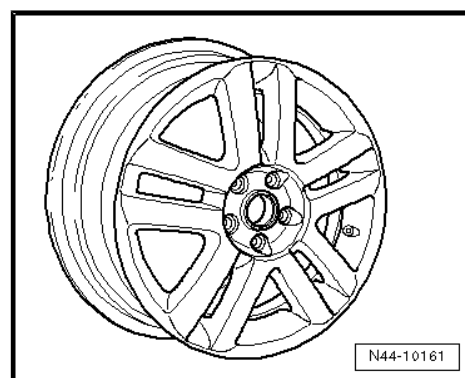
1K0 601 025 B - Wheel and tyre combination ⇒ [page 240](#)

Size:	7 J x 17
Wheel offset in mm:	54
Wheel load in kg:	615



1K0 601,025 C - Wheel and tyre combination ⇒ [page 240](#)

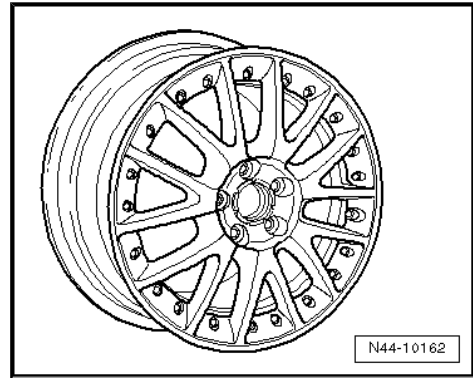
Size:	7 J x 17
Wheel offset in mm:	54
Wheel load in kg:	615





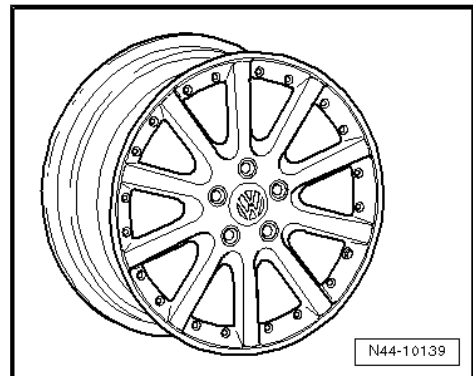
1K0 601 025 J - Wheel and tyre combination ⇒ page 240

Size:	7 J x 17
Wheel offset in mm:	54
Wheel load in kg:	615



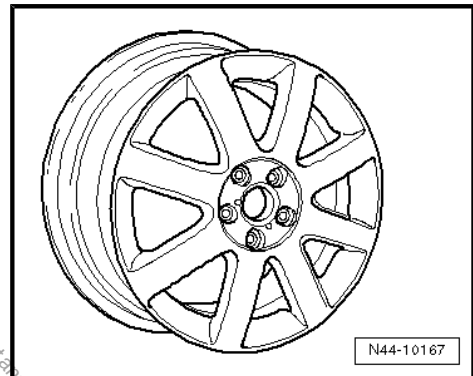
1K0 601 025 K - Wheel and tyre combination ⇒ page 240

Size:	7 J x 17
Wheel offset in mm:	54
Wheel load in kg:	615



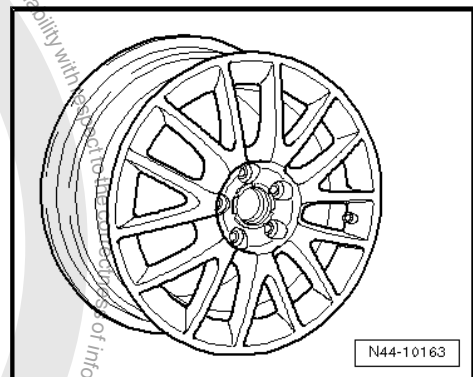
1K0 601 025 M - Wheel and tyre combination ⇒ page 240

Size:	7 J x 17
Wheel offset in mm:	54
Wheel load in kg:	615



1K0 601 025 T - Wheel and tyre combination ⇒ page 240

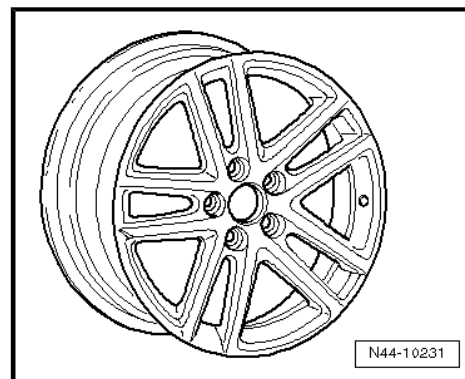
Size:	7 J x 17
Wheel offset in mm:	54
Wheel load in kg:	615





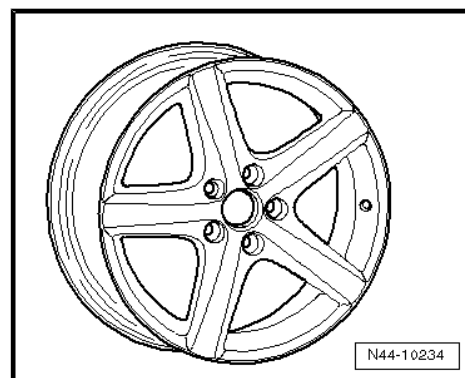
1K0 601 025 AF - Wheel and tyre combination ⇒ page 240

Size:	7 J x 17
Wheel offset in mm:	54
Wheel load in kg:	630



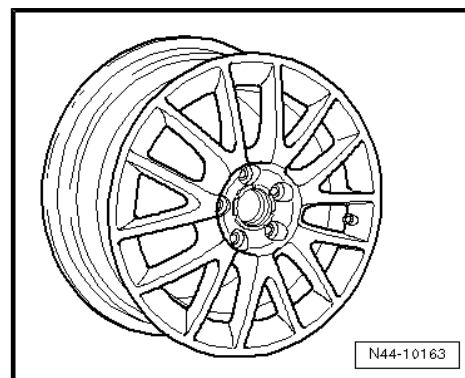
1K0 601 025 AE - Wheel and tyre combination ⇒ page 240

Size:	7 J x 17
Wheel offset in mm:	54
Wheel load in kg:	630



1K0 601 025 AN - Wheel and tyre combination ⇒ page 240

Size:	7 J x 17
Wheel offset in mm:	54
Wheel load in kg:	615



28.2.7 7¹/₂ J x 17

⚠ Caution
Observe the allocation of wheels and tyres to the respective engines, which are listed in the overview table ⇒ page 240 .

5K0 601 025 N - Wheel and tyre combination ⇒ page 242

Only vehicles with sports running gear

Size:	7 ¹ / ₂ J x 17
Wheel offset in mm:	51
Wheel load in kg:	630





5K0 601 025 G - Wheel and tyre combination ⇒ [page 242](#)

Only vehicles with sports running gear

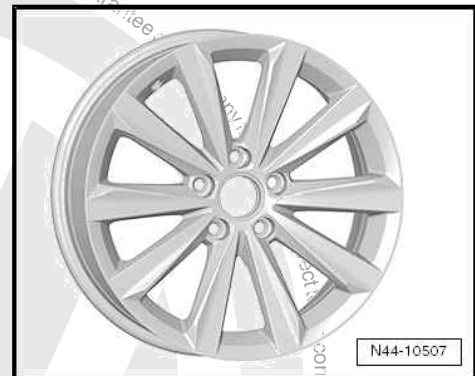
Size:	7 ¹ / ₂ J x 17
Wheel offset in mm:	51
Wheel load in kg:	630



5K0 601 025 AD - Wheel and tyre combination ⇒ [page 242](#)

Only vehicles with sports running gear

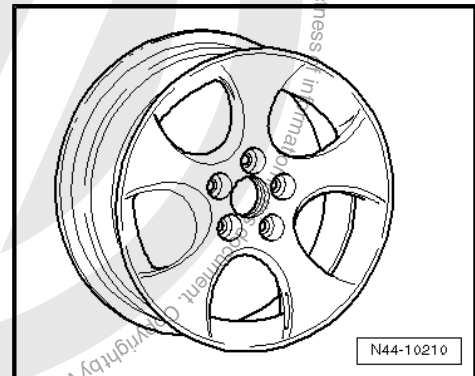
Size:	7 ¹ / ₂ J x 17
Wheel offset in mm:	51
Wheel load in kg:	630



1K0 601 025 BB - Wheel and tyre combination ⇒ [page 242](#)

Only vehicles with sports running gear

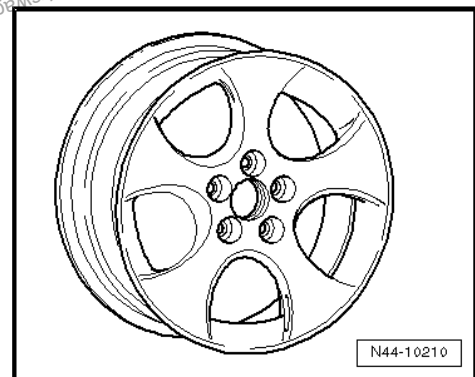
Size:	7 ¹ / ₂ J x 17
Wheel offset in mm:	51
Wheel load in kg:	615



1K0 601 025 AC - Wheel and tyre combination ⇒ [page 242](#)

Only vehicles with sports running gear

Size:	7 ¹ / ₂ J x 17
Wheel offset in mm:	51
Wheel load in kg:	615

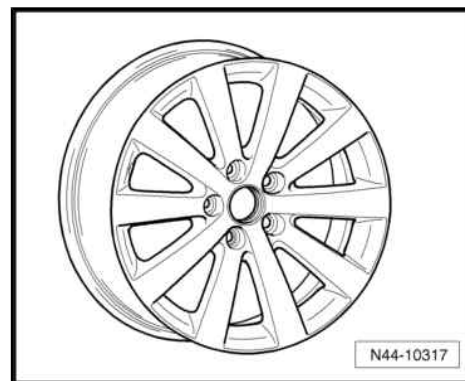




1K0 601 025 BK - Wheel and tyre combination ⇒ [page 242](#)

Only vehicles with sports running gear

Size:	7 ¹ / ₂ J x 17
Wheel offset in mm:	51
Wheel load in kg:	615



28.2.8 7¹/₂ J x 18

Caution
Observe the allocation of wheels and tyres to the respective engines, which are listed in the overview table ⇒ [page 240](#) .

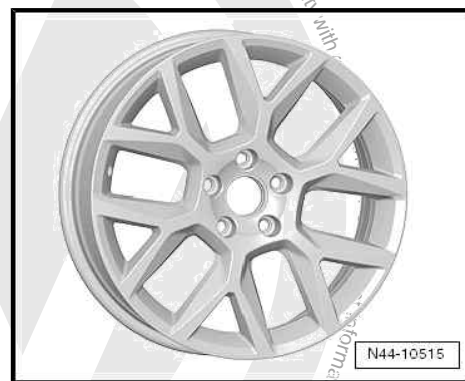
Caution
7¹/₂ J x 18 wheels can only be fitted under the following conditions:

- *Additional wheel housing extensions (FLAPS) ⇒ [page 4](#) have to be fitted on the rear axle ⇒ Electronic replacement parts catalogue „ETKA“ .*

5K0 601 025 AF, 5K0 601 025 AG - Wheel and tyre combination ⇒ [page 240](#)

Only for vehicles with sports running gear and rear axle camber of -1°45'

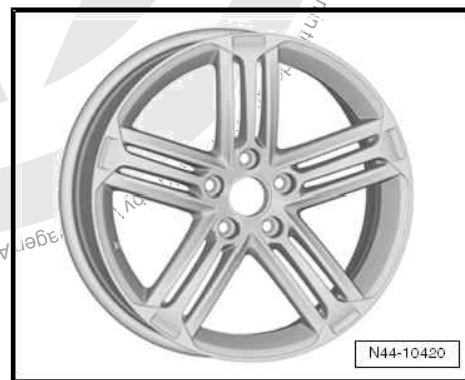
Size:	7 ¹ / ₂ J x 18
Wheel offset in mm:	51
Wheel load in kg:	615



5K0 601 025 H - Wheel and tyre combination ⇒ [page 240](#)

Only for vehicles with sports running gear and rear axle camber of -1°45'

Size:	7 ¹ / ₂ J x 18
Wheel offset in mm:	51
Wheel load in kg:	630





5K0 601 025 L - Wheel and tyre combination ⇒ page 240

Only for vehicles with sports running gear and rear axle camber of $-1^{\circ}45'$

Size:	7 $\frac{1}{2}$ J x 18
Wheel offset in mm:	51
Wheel load in kg:	615



5K0 601 025 P - Wheel and tyre combination ⇒ page 240

Only for vehicles with sports running gear and rear axle camber of $-1^{\circ}45'$

Size:	7 $\frac{1}{2}$ J x 18
Wheel offset in mm:	51
Wheel load in kg:	630



5K0 601 025 AC - Wheel and tyre combination ⇒ page 240

Only for vehicles with sports running gear and rear axle camber of $-1^{\circ}45'$

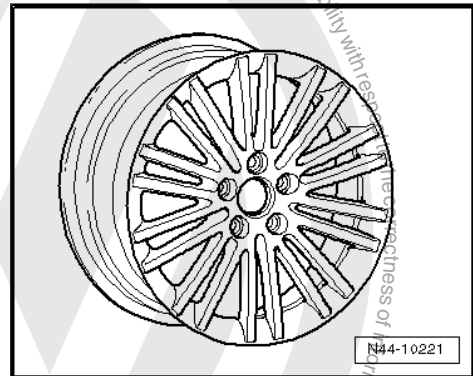
Size:	7 $\frac{1}{2}$ J x 18
Wheel offset in mm:	51
Wheel load in kg:	630



1K0 601 025 AD - Wheel and tyre combination ⇒ page 240

Only for vehicles with sports running gear and rear axle camber of $-1^{\circ}45'$

Size:	7 $\frac{1}{2}$ J x 18
Wheel offset in mm:	51
Wheel load in kg:	630

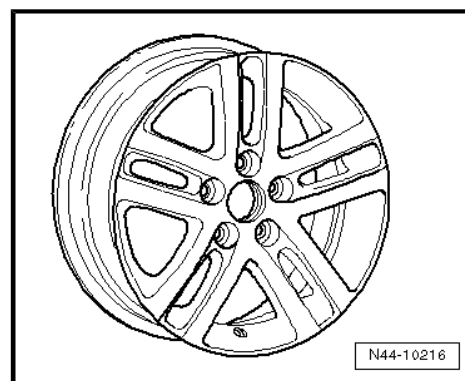




1K0 601 025 AG - Wheel and tyre combination ⇒ page 240

Only for vehicles with sports running gear and rear axle camber of -1°45'

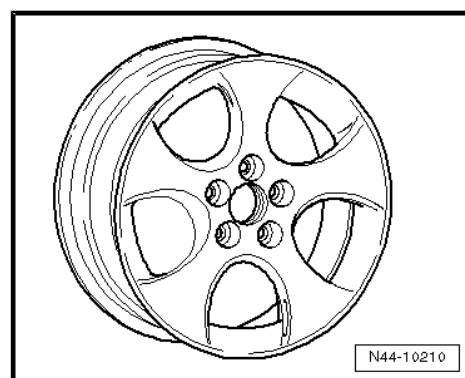
Size:	7 ¹ / ₂ J x 18
Wheel offset in mm:	51
Wheel load in kg:	630



1K0 601 025 AH - Wheel and tyre combination ⇒ page 240

Only for vehicles with sports running gear and rear axle camber of -1°45'

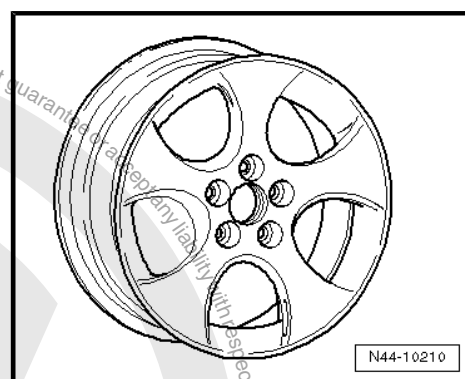
Size:	7 ¹ / ₂ J x 18
Wheel offset in mm:	51
Wheel load in kg:	615



1K0 601 025 AM - Wheel and tyre combination ⇒ page 240

Only for vehicles with sports running gear and rear axle camber of -1°45'

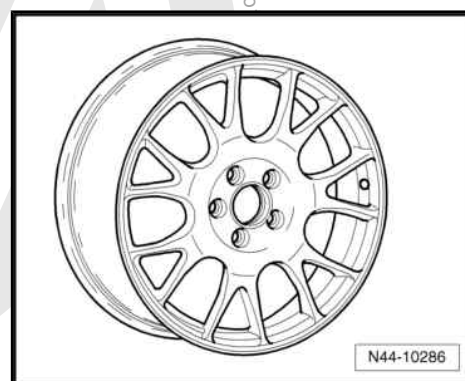
Size:	7 ¹ / ₂ J x 18
Wheel offset in mm:	51
Wheel load in kg:	615



1K0 601 025 AT, 1K0 601 025 CC - Wheel and tyre combination ⇒ page 240

Only for vehicles with sports running gear and rear axle camber of -1°45'

Size:	7 ¹ / ₂ J x 18
Wheel offset in mm:	51
Wheel load in kg:	615

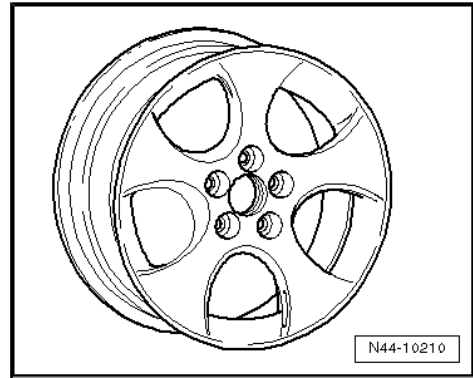




1K0 601 025 BA - Wheel and tyre combination ⇒ [page 240](#)

Only for vehicles with sports running gear and rear axle camber of $-1^{\circ}45'$

Size:	7 $\frac{1}{2}$ J x 18
Wheel offset in mm:	51
Wheel load in kg:	615



1K0 601 025 BE - Wheel and tyre combination ⇒ [page 240](#)

Only for vehicles with sports running gear and rear axle camber of $-1^{\circ}45'$

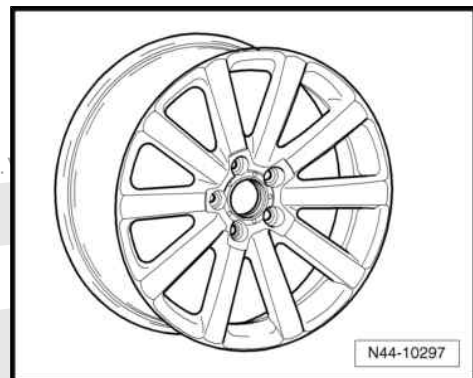
Size:	7 $\frac{1}{2}$ J x 18
Wheel offset in mm:	51
Wheel load in kg:	615



1K0 601 025 BL - Wheel and tyre combination ⇒ [page 240](#)

Only for vehicles with sports running gear and rear axle camber of $-1^{\circ}45'$

Size:	7 $\frac{1}{2}$ J x 18
Wheel offset in mm:	51
Wheel load in kg:	615



Protected by copyright. Copying for private or commercial purposes, in part or in whole, is not permitted unless authorized by Volkswagen AG. Liability with respect to the correctness of information in this document. Copyright by Volkswagen AG.



29 Golf Variant BlueMotion from model year 2010

General

Volkswagen vehicles are built according to the latest findings in safety engineering. To keep it that way, we recommend the use of only genuine Volkswagen spare parts. You can recognise this by the VW Audi logo and by the part number. It has been established that these parts are reliable, safe and suitable.

Despite constant appraisal of the market, we cannot assess other products on these points, even when in isolated cases they have been passed by official inspectors or have been granted official approval. Therefore, we cannot, of course, assume any liability if these products are installed.



WARNING

The products from Volkswagen genuine parts and Volkswagen accessories may differ in fitting requirements, torque specifications and so on.

Always follow the respective fitting and operating instructions.

The wheel and tyre combinations or changes listed in the vehicle tables refer exclusively to Volkswagen Genuine wheels. Approval of wheel and tyre combinations or a change to wheels from the accessories trade is not possible with the certificate statement attached here.



WARNING

The fitting instructions and torque specifications for wheels from Volkswagen accessories may differ from those intended for wheels from Volkswagen genuine parts.

Therefore, always observe the torque settings for the wheel bolts as well as the respective fitting and operating instructions.

29.1 Golf Variant BlueMotion, sales type AJ5, model year 2010 to model year 2012



Caution

The Golf Variant BlueMotion will be listed according to the sales types and not by the type approval model codes.

The type approval model code and the associated type approval number are listed as follows.

Golf Variant BlueMotion, type approval code 1KM

Appendix to certificate statement 8107901214

The certificate statement can be found on the Volkswagen ServiceNet under Accessories/Tyres, Wheels and Tyres, Wheels and Tyres Guide.



Type Approval No.: e1*2001/116*0328*16 to
e1*2001/116*0328*22

Overview

Model engine output	Tyres	Tyre size	Wheel rim	Off-set in mm	Snow chains	Remarks
1.2l 77 kW petrol engine	Standard tyres	195/65 R 15 91T	6 J x 15 ⇒ page 264	47	Yes	General information on: ◆ Winter tyres ⇒ page 14 ◆ Snow chains ⇒ page 17
1.6l 77 kW TDI diesel engine	Modification	195/65 R 15 91H/V	6 J x 15 ⇒ page 264	47	Yes	Tyre makes recommended by Volkswagen: ◆ Summer tyres ⇒ page 474 ◆ Winter tyres ⇒ page 496
		195/65 R 15 91T/H/V	6 1/2 J x 15 ⇒ page 265	50	Yes	
		205/60 R 15 91T/H/V	6 J x 15 ⇒ page 264	47	Yes	
		205/55 R 16 91T/H/V/W	6 1/2 J x 16 ⇒ page 267	50	No	
	Winter tyres	195/65 R 15 91Q/T/H	6 J x 15 ⇒ page 264	47	Yes	
		205/55 R 16 91Q/T/H	6 J x 16 ⇒ page 266	50	Yes	

Tyre pressures are printed on the tyre inflation pressure label, which can be found on the inside of the tank flap and on the driver's B-pillar.

29.2 Wheel allocation for Golf Variant BlueMotion, sales type AJ5, model year 2010 to model year 2012

Golf Variant BlueMotion, type approval code 1KM

Explanation of information on wheels ⇒ [page 49](#)

Torque settings for wheel bolts ⇒ Running gear, axles, steering;
Rep. gr. 44 ; Torque settings for fitting wheels

Pitch circle diameter: 112 mm

Number of wheel bolt holes: 5

29.2.1 6 J x 15



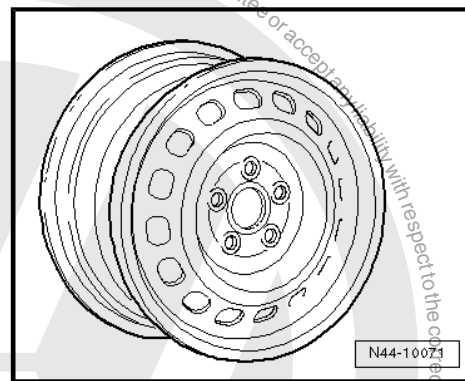
Caution

Observe the allocation of wheels and tyres to the respective engines, which are listed in the overview table ⇒ [page 264](#) .



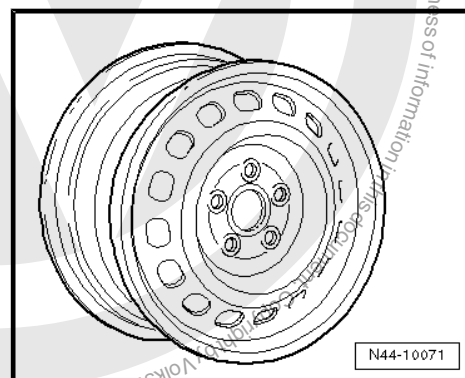
1K0 601 027 H, 1K0 601 027 AG - Wheel and tyre combination
 ⇒ [page 264](#)

Size:	6 J x 15
Wheel offset in mm:	47
Wheel load in kg:	615



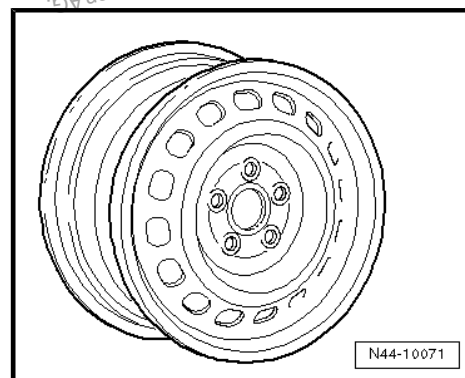
1K0 601 027 C, 1K0 601 027 T - Wheel and tyre combination
 ⇒ [page 264](#)

Size:	6 J x 15
Wheel offset in mm:	47
Wheel load in kg:	615



2K0 601 027 - Wheel and tyre combination ⇒ [page 264](#)

Size:	6 J x 15
Wheel offset in mm:	47
Wheel load in kg:	650



29.2.2 6¹/₂ J x 15

	Caution
<i>Observe the allocation of wheels and tyres to the respective engines, which are listed in the overview table ⇒ page 264 .</i>	

5k0 601 025 J - Wheel and tyre combination ⇒ [page 264](#)

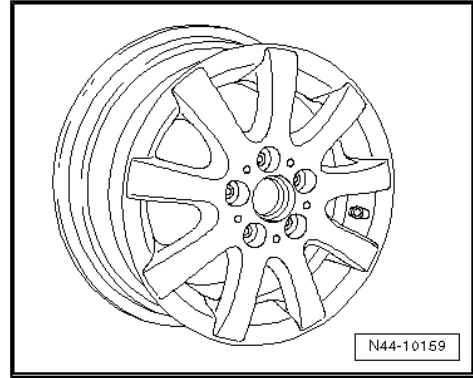
Size:	6 ¹ / ₂ J x 15
Wheel offset in mm:	50
Wheel load in kg:	600





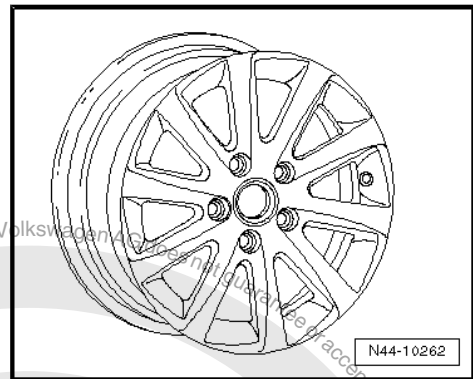
1K0 601,025 A - Wheel and tyre combination ⇒ page 264

Size:	6 ¹ / ₂ J x 15
Wheel offset in mm:	50
Wheel load in kg:	600



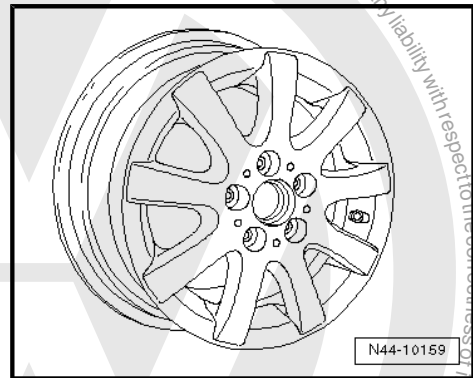
1K0 601 025 AK - Wheel and tyre combination ⇒ page 264

Size:	6 ¹ / ₂ J x 15
Wheel offset in mm:	50
Wheel load in kg:	600



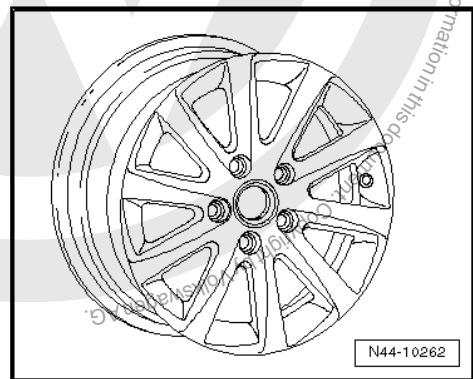
1K0 601 025 AQ - Wheel and tyre combination ⇒ page 264

Size:	6 ¹ / ₂ J x 15
Wheel offset in mm:	50
Wheel load in kg:	600



1K0 601 025 CA - Wheel and tyre combination ⇒ page 264

Size:	6 ¹ / ₂ J x 15
Wheel offset in mm:	50
Wheel load in kg:	600



29.2.3 6 J x 16



Caution

Observe the allocation of wheels and tyres to the respective engines, which are listed in the overview table ⇒ page 264 .



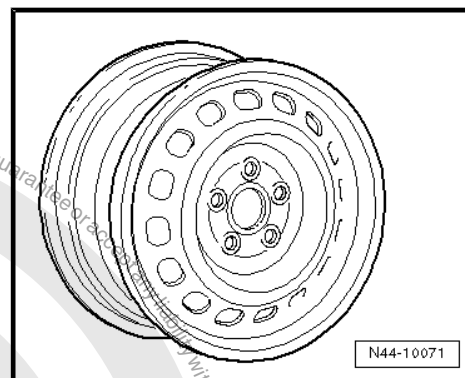
Winter wheels

8P0 601 027 - Wheel and tyre combination ⇒ [page 264](#)

Size:	6 J x 16
Wheel offset in mm:	50
Wheel load in kg:	600

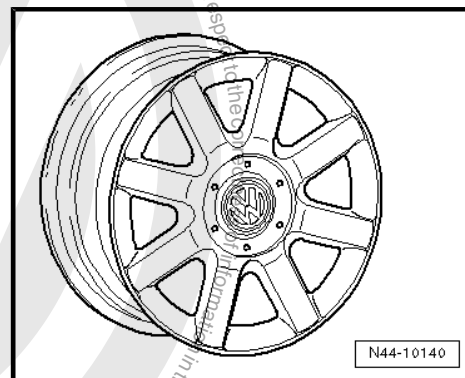
Use the following wheel bolt caps for wheel bolts:

- ◆ 1K0.601.173 (4 per wheel)
- ◆ 1K0.601.173.A (1 per wheel)




1K0 601 025 Q - Wheel and tyre combination ⇒ [page 264](#)

Size:	6 J x 16 EH2 ⇒ page 49
Wheel offset in mm:	50
Wheel load in kg:	615



29.2.4 6¹/₂ J x 16

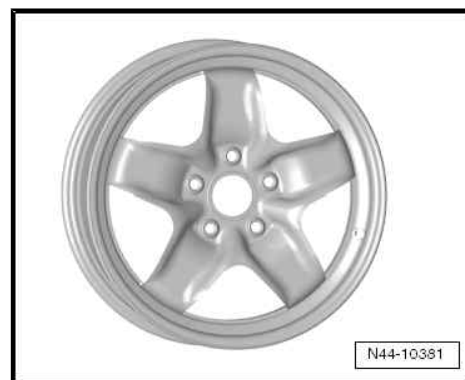


Caution

Observe the allocation of wheels and tyres to the respective engines, which are listed in the overview table ⇒ [page 264](#).

5K0 601 027 - Wheel and tyre combination ⇒ [page 264](#)

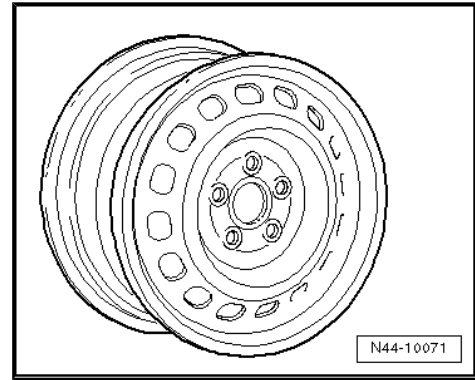
Size:	6 ¹ / ₂ J x 16
Wheel offset in mm:	50
Wheel load in kg:	615





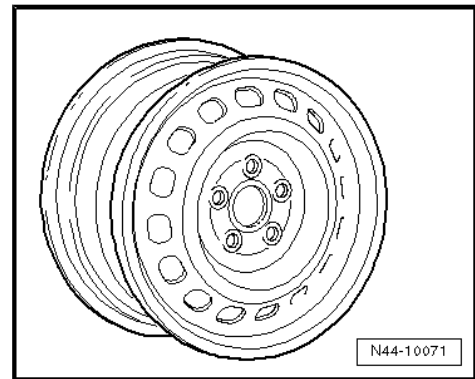
1K0 601 027 A, 1K0 601 027 AH - Wheel and tyre combination
⇒ [page 264](#)

Size:	6 ¹ / ₂ J x 16
Wheel offset in mm:	50
Wheel load in kg:	615



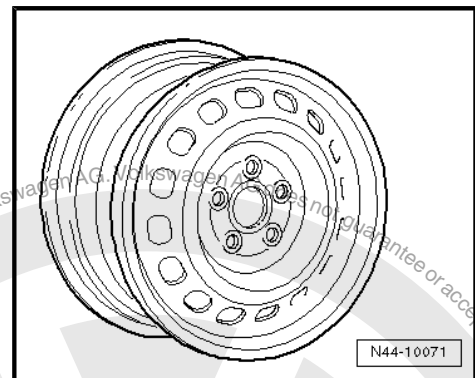
1K0 601 027 J - Wheel and tyre combination ⇒ [page 264](#)

Size:	6 ¹ / ₂ J x 16
Wheel offset in mm:	50
Wheel load in kg:	615



1K0 601 027 AK - Wheel and tyre combination ⇒ [page 264](#)

Size:	6 ¹ / ₂ J x 16
Wheel offset in mm:	50
Wheel load in kg:	615



5K0 601 025 AE - Wheel and tyre combination ⇒ [page 264](#)

Size:	6 ¹ / ₂ J x 16
Wheel offset in mm:	50
Wheel load in kg:	615





5K0 601 025 E - Wheel and tyre combination ⇒ page 264

Size:	6 ¹ / ₂ J x 16
Wheel offset in mm:	50
Wheel load in kg:	615



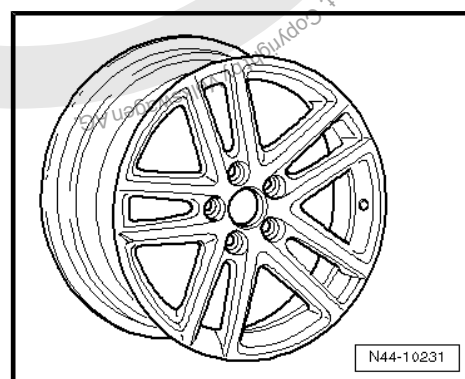
5K0 601 025 S - Wheel and tyre combination ⇒ page 264

Size:	6 ¹ / ₂ J x 16
Wheel offset in mm:	50
Wheel load in kg:	615



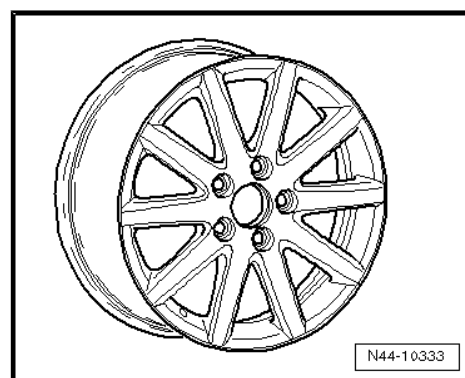
1K0 601 025 AJ - Wheel and tyre combination ⇒ page 264

Size:	6 ¹ / ₂ J x 16
Wheel offset in mm:	50
Wheel load in kg:	615



1K0 601 025 BC - Wheel and tyre combination ⇒ page 264

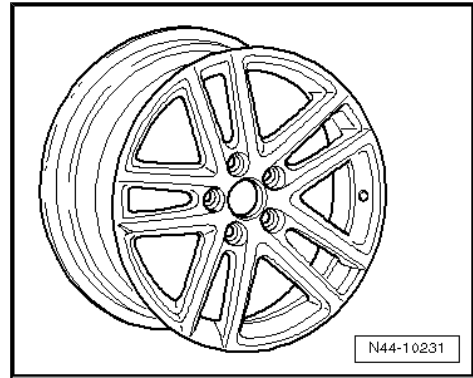
Size:	6 ¹ / ₂ J x 16
Wheel offset in mm:	50
Wheel load in kg:	615





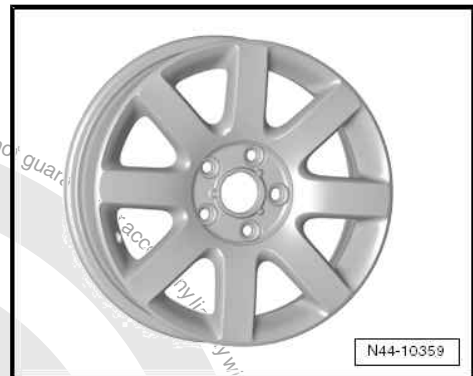
1K0 601 025 BM - Wheel and tyre combination ⇒ page 264

Size:	6 ¹ / ₂ J x 16
Wheel offset in mm:	50
Wheel load in kg:	615



1K0 601 025 BR - Wheel and tyre combination ⇒ page 264

Size:	6 ¹ / ₂ J x 16
Wheel offset in mm:	50
Wheel load in kg:	615



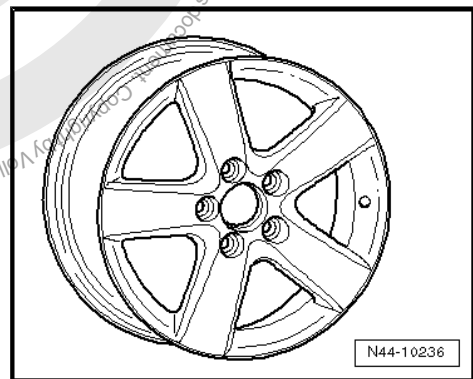
1K0 601 025 BS, 1K0 601 025 CH - Wheel and tyre combination ⇒ page 264

Size:	6 ¹ / ₂ J x 16
Wheel offset in mm:	50
Wheel load in kg:	615



1K0 601 025 CB - Wheel and tyre combination ⇒ page 264

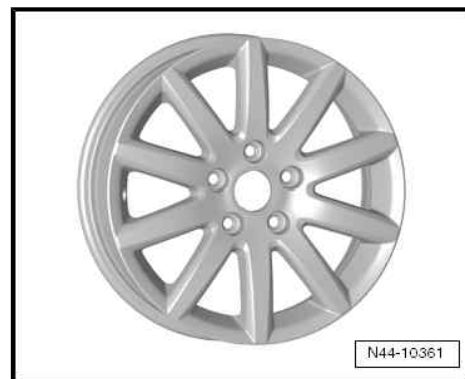
Size:	6 ¹ / ₂ J x 16
Wheel offset in mm:	50
Wheel load in kg:	615





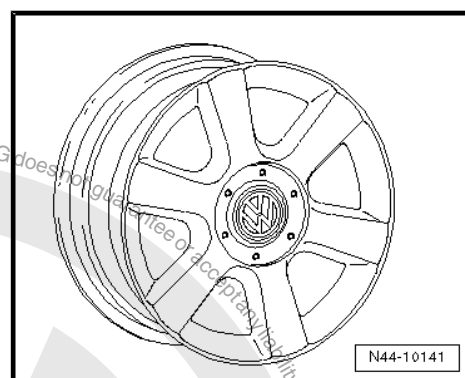
1K0 601 025 CG - Wheel and tyre combination ⇒ page 264

Size:	6 ¹ / ₂ J x 16
Wheel offset in mm:	50
Wheel load in kg:	615



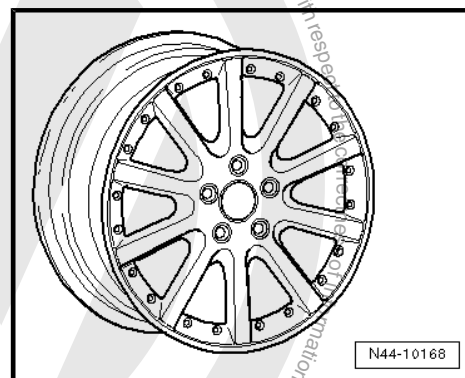
1T0 601 025 C - Wheel and tyre combination ⇒ page 264

Size:	6 ¹ / ₂ J x 16
Wheel offset in mm:	50
Wheel load in kg:	615



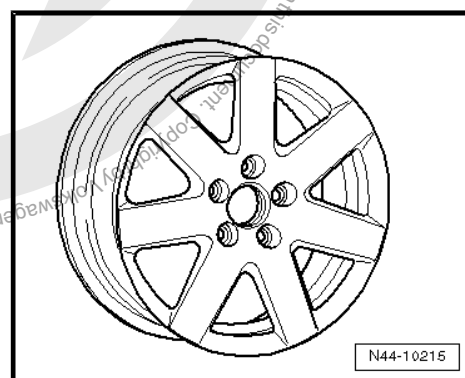
1K0 601 025 F - Wheel and tyre combination ⇒ page 264

Size:	6 ¹ / ₂ J x 16
Wheel offset in mm:	50
Wheel load in kg:	615



1K0 601 025 P - Wheel and tyre combination ⇒ page 264

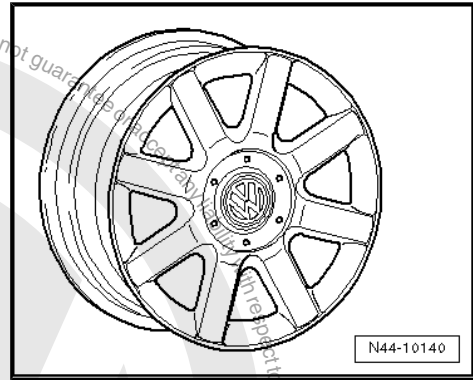
Size:	6 ¹ / ₂ J x 16
Wheel offset in mm:	50
Wheel load in kg:	615





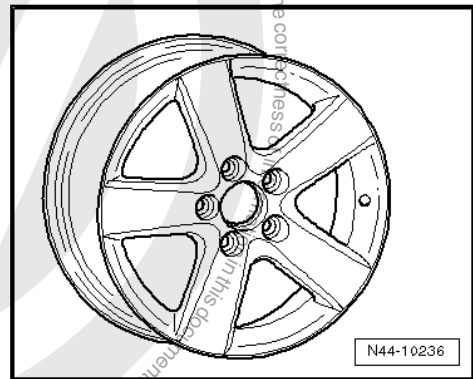
1K0 601 025 R - Wheel and tyre combination ⇒ page 264

Size:	6 ¹ / ₂ J x 16
Wheel offset in mm:	50
Wheel load in kg:	615



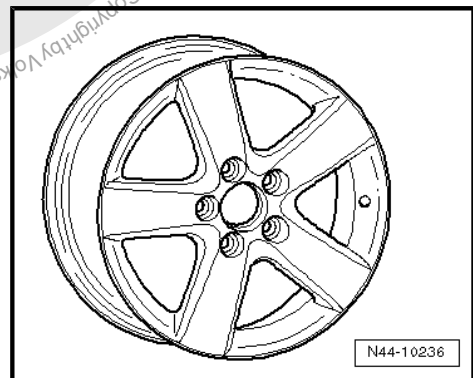
1T0 601 025 G, 1T0 601 025 K - Wheel and tyre combination ⇒ page 264

Size:	6 ¹ / ₂ J x 16
Wheel offset in mm:	50
Wheel load in kg:	615



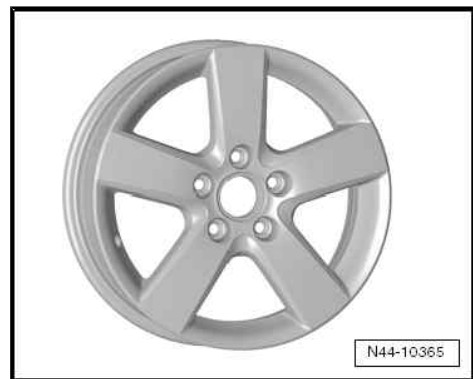
1T0 601 025 M - Wheel and tyre combination ⇒ page 264

Size:	6 ¹ / ₂ J x 16
Wheel offset in mm:	50
Wheel load in kg:	615



1T0 601 025 R - Wheel and tyre combination ⇒ page 264

Size:	6 ¹ / ₂ J x 16
Wheel offset in mm:	50
Wheel load in kg:	615





30 Jetta from model year 2011

General

Volkswagen vehicles are built according to the latest findings in safety engineering. To keep it that way, we recommend the use of only genuine Volkswagen spare parts. You can recognise this by the VW Audi logo and by the part number. It has been established that these parts are reliable, safe and suitable.

Despite constant appraisal of the market, we cannot assess other products on these points, even when in isolated cases they have been passed by official inspectors or have been granted official approval. Therefore, we cannot, of course, assume any liability if these products are installed.



WARNING

The products from Volkswagen genuine parts and Volkswagen accessories may differ in fitting requirements, torque specifications and so on.

Always follow the respective fitting and operating instructions.

The wheel and tyre combinations or changes listed in the vehicle tables refer exclusively to Volkswagen Genuine wheels. Approval of wheel and tyre combinations or a change to wheels from the accessories trade is not possible with the certificate statement attached here.



WARNING

The fitting instructions and torque specifications for wheels from Volkswagen accessories may differ from those intended for wheels from Volkswagen genuine parts.

Therefore, always observe the torque settings for the wheel bolts as well as the respective fitting and operating instructions.

30.1 Jetta, sales type 162 model year 2011 to model year 2012



Caution

The Jetta will be listed according to the sales type and not the type approval model code.

The type approval model code and the associated type approval number are listed as follows.

Jetta, type approval code 16

Appendix to certificate statement 8107901226

The certificate statement can be found on the Volkswagen ServiceNet under Accessories/Tyres, Wheels and Tyres, Wheels and Tyres Guide.



Type approval number: e1*2007/46*0539*00 to e1*2007/46*0539*03

Overview

Model engine output	Tyres	Tyre size	Wheel rim	Off-set in mm	Snow chains	Remarks	
1.2l 77 kW petrol engine 1.6 l 77 kW TDI; diesel engine	Standard tyres	195/65 R 15 91T	6 J x 15 ⇒ page 276	47	Yes	General information on: ◆ Winter tyres ⇒ page 14 ◆ Snow chains ⇒ page 17	
	Modification	195/65 R 15 91H/V	6 J x 15 ⇒ page 276	47	Yes	Tyre makes recommended by Volkswagen: ◆ Summer tyres ⇒ page 475 ◆ All-season tyres ⇒ page 487 ◆ Winter tyres ⇒ page 497	
		195/65 R 15 91T/H/V	6 1/2 J x 15 ⇒ page 277	50	Yes		
		205/60 R 15 91T/H/V	6 J x 15 ⇒ page 276	47	Yes		
		205/55 R 16 91T/H/V/W	6 1/2 J x 16 ⇒ page 279	50	No		
		205/50 R 17 93T/H/V	6 J x 17 ⇒ page 100	48.5	Yes*** ⇒ page 274		
		225/45 R 17 91T/H/V/W	7 J x 17 ⇒ page 284	54	No		
		225/45 R 17 91T/H/V/W * ⇒ page 274	7 1/2 J x 17 ⇒ page 288	51	No		* 225/45 R 17 91T/H/V/W tyres on 7 1/2 J x 17 rims with an offset of 51 are permitted only on vehicles with sports running gear!
		225/40 R 18 92Y** ⇒ page 274	7 1/2 J x 18 ⇒ page 289	51	No		** 225/40 R 18 92Y tyres on 7 1/2 J x 18 rims with an offset of 51 are permitted only on vehicles with sports running gear and rear axle camber of -1°45'!
		Winter tyres	195/65 R 15 91Q/T/H	6 J x 15 ⇒ page 276	47		Yes
	205/55 R 16 91Q/T/H		6 J x 16 ⇒ page 278	50	Yes		
	205/50 R 17 93Q/T/H		6 J x 17 ⇒ page 100	48.5	Yes*** ⇒ page 275		



Model engine output	Tyres	Tyre size	Wheel rim	Off-set in mm	Snow chains	Remarks
2.0l 103 kW TDI diesel engine	Standard tyres	195/65 R 15 91H	6 J x 15 ⇒ page 276	47	Yes	<p>* 225/45 R 17 91T/H/V/W tyres on 7¹/₂ J x 17 rims with an offset of 51 are permitted only on vehicles with sports running gear!</p> <p>** 225/40 R 18 92Y** tyres on 7¹/₂ J x 18 rims with an offset of 51 are permitted only on vehicles with sports running gear and rear axle camber of -1°45'!</p> <p>*** Only snow chains with fine links of no more than 8 mm may be used ⇒ Electronic parts catalogue „ETKA - Accessories catalogue“ .</p>
	Modification	195/65 R 15 91V	6 J x 15 ⇒ page 276	47	Yes	
		195/65 R 15 91H/V	6 ¹ / ₂ J x 15 ⇒ page 277	50	Yes	
		205/60 R 15 91H/V	6 J x 15 ⇒ page 276	47	Yes	
		205/55 R 16 91H/V/W	6 ¹ / ₂ J x 16 ⇒ page 279	50	No	
		205/50 R 17 93H/V/W	6 J x 17 ⇒ page 100	48.5	Yes***	
		225/45 R 17 91H/V/W	7 J x 17 ⇒ page 284	54	No	
		225/45 R 17 91H/V/W * ⇒ page 275	7 ¹ / ₂ J x 17 ⇒ page 288	51	No	
		225/40 R 18 92Y** ⇒ page 275	7 ¹ / ₂ J x 18 ⇒ page 289	51	No	
	Winter tyres	195/65 R 15 91Q/T/H	6 J x 15 ⇒ page 276	47	Yes	
205/55 R 16 91Q/T/H		6 J x 16 ⇒ page 278	50	Yes		
205/50 R 17 93Q/T/H		6 J x 17 ⇒ page 100	48.5	Yes*** ⇒ page 275		
1.4l 118 kW; 2.0l 147 kW petrol engine	Standard tyres	205/55 R 16 91V	6 ¹ / ₂ J x 16 ⇒ page 279	50	No	
	Modification	205/50 R 17 93V/W	6 J x 17 ⇒ page 100	48.5	Yes*** ⇒ page 276	
		225/45 R 17 91V/W	7 J x 17 ⇒ page 284	54	No	



Model engine output	Tyres	Tyre size	Wheel rim	Off-set in mm	Snow chains	Remarks
		225/45 R 17 91V/W * ⇒ page 276	7 1/2 J x 17 ⇒ page 288	51	No	* 225/45 R 17 91T/H/V/W tyres on 7 1/2 J x 17 rims with an offset of 51 are permitted only on vehicles with sports running gear!
		225/40 R 18 92Y** ⇒ page 276	7 1/2 J x 18 ⇒ page 289	51	No	** 225/40 R 18 92Y tyres on 7 1/2 J x 18 rims with an offset of 51 are permitted only on vehicles with sports running gear and rear axle camber of -1°45'!
	Winter tyres	205/55 R 16 91Q/T/H	6 J x 16 ⇒ page 278	50	Yes	*** Only snow chains with fine links of no more than 8 mm may be used ⇒ Electronic parts catalogue „ETKA - Accessories catalogue“ .
		205/50 R 17 93Q/T/H	6 J x 17 ⇒ page 100	48.5	Yes*** ⇒ page 276	

Tyre pressures are printed on the tyre inflation pressure label, which can be found on the inside of the tank flap and on the driver's B-pillar.

30.2 Wheel allocation Jetta, sales type 162 model year 2011

Explanation of information on wheels ⇒ [page 49](#)

Torque settings for wheel bolts ⇒ Running gear, axles, steering;
Rep. gr. 44 ; Torque settings for fitting wheels

Pitch circle diameter: 112 mm

Number of wheel bolt holes: 5

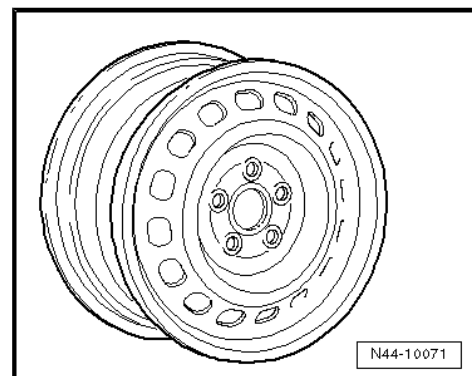
30.2.1 6 J x 15

Caution

Observe the allocation of wheels and tyres to the respective engines, which are listed in the overview table ⇒ [page 274](#) .

1K0 601 027 H, 1K0 601 027 AG - Wheel and tyre combination
⇒ [page 274](#)

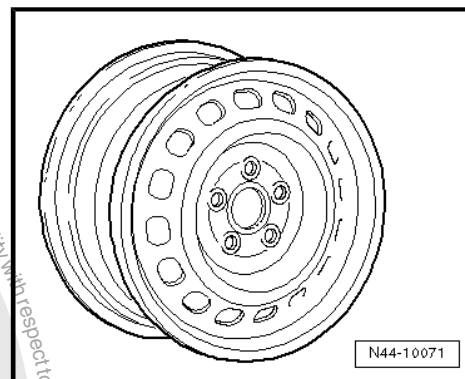
Size:	6 J x 15
Wheel offset in mm:	47
Wheel load in kg:	615





1K0 601 027 C, 1K0 601 027 T - Wheel and tyre combination
⇒ [page 274](#)

Size:	6 J x 15
Wheel offset in mm:	47
Wheel load in kg:	615

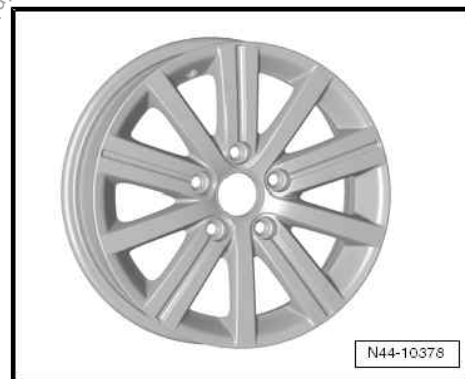


30.2.2 6¹/₂ J x 15

⚠ Caution
Observe the allocation of wheels and tyres to the respective engines, which are listed in the overview table ⇒ [page 274](#).

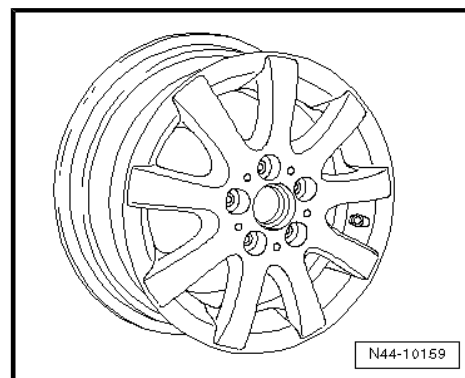
5K0 601 025 J - Wheel and tyre combination ⇒ [page 274](#)

Size:	6 ¹ / ₂ J x 15
Wheel offset in mm:	50
Wheel load in kg:	600



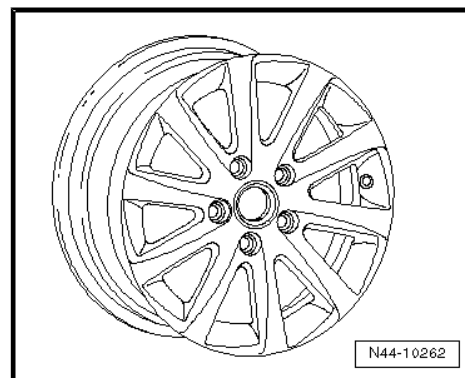
1K0 601 025 A - Wheel and tyre combination ⇒ [page 274](#)

Size:	6 ¹ / ₂ J x 15
Wheel offset in mm:	50
Wheel load in kg:	600



1K0 601 025 AK - Wheel and tyre combination ⇒ [page 274](#)

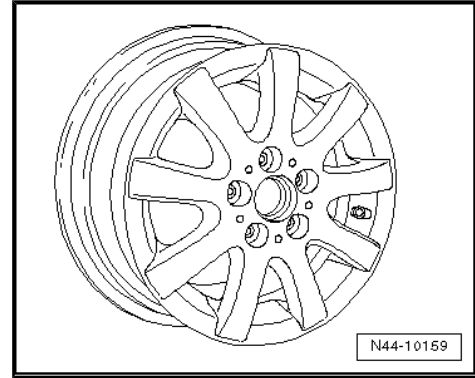
Size:	6 ¹ / ₂ J x 15
Wheel offset in mm:	50
Wheel load in kg:	600





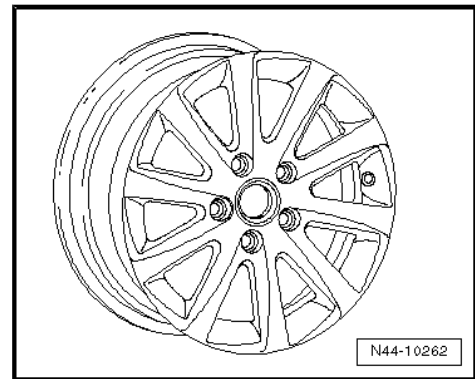
1K0 601 025 AQ - Wheel and tyre combination ⇒ page 274

Size:	6 ¹ / ₂ J x 15
Wheel offset in mm:	50
Wheel load in kg:	600



1K0 601 025 CA - Wheel and tyre combination ⇒ page 274

Size:	6 ¹ / ₂ J x 15
Wheel offset in mm:	50
Wheel load in kg:	600



30.2.3 6 J x 16



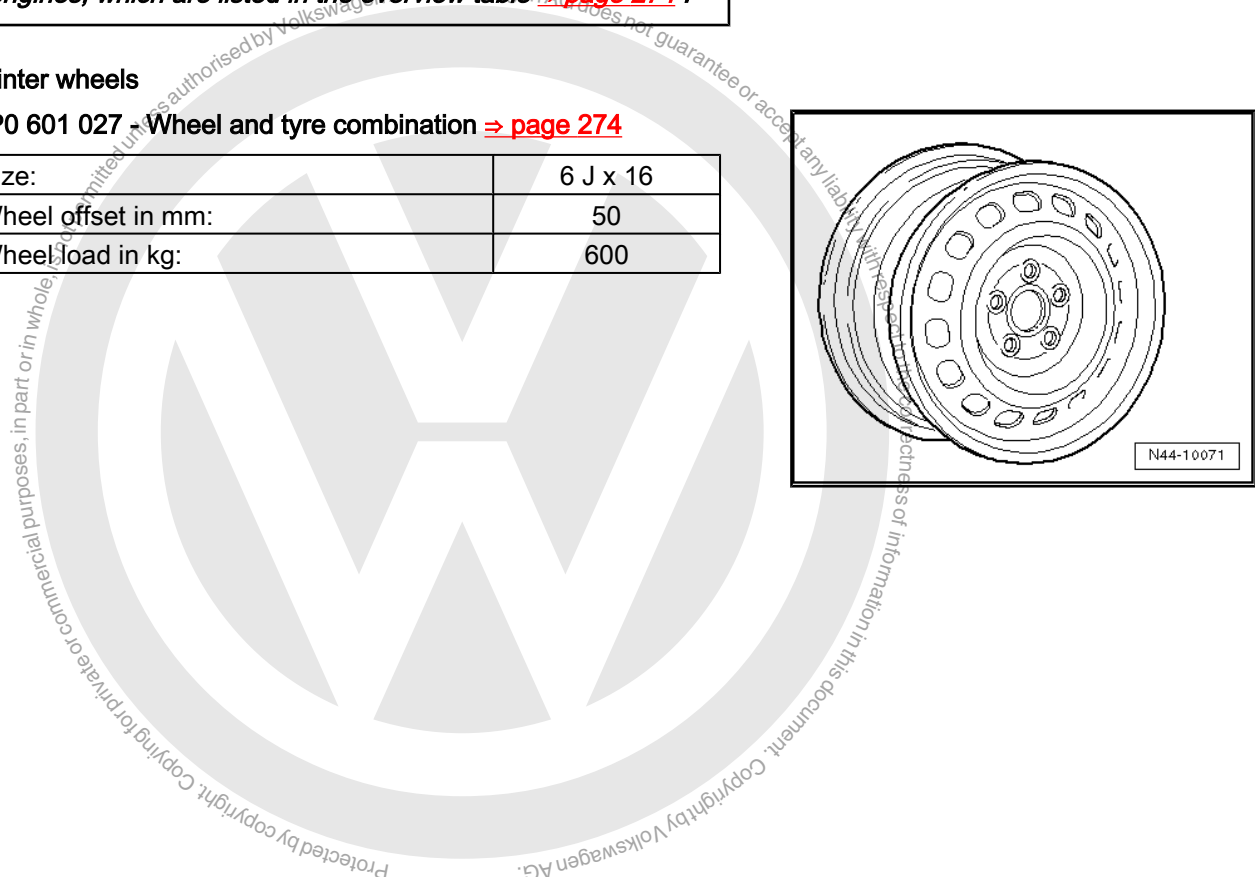
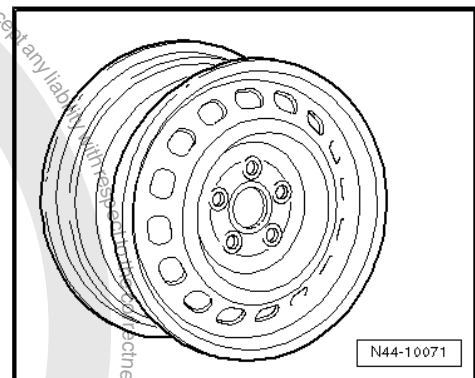
Caution

Observe the allocation of wheels and tyres to the respective engines, which are listed in the overview table ⇒ page 274 .

Winter wheels

8P0 601 027 - Wheel and tyre combination ⇒ page 274

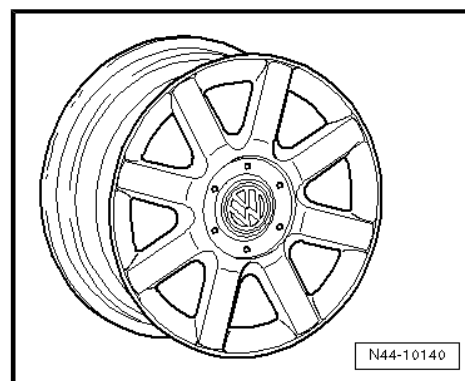
Size:	6 J x 16
Wheel offset in mm:	50
Wheel load in kg:	600






1K0 601 025 Q - Wheel and tyre combination ⇒ page 274

Size:	6 J x 16 EH2 ⇒ page 49
Wheel offset in mm:	50
Wheel load in kg:	615



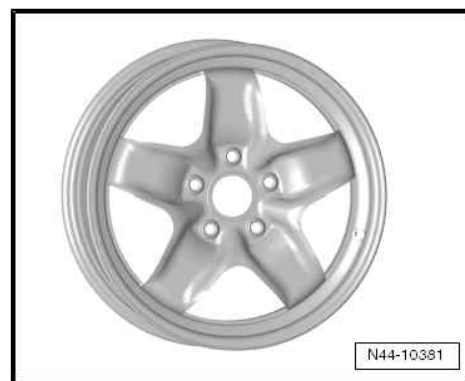
30.2.4 6¹/₂ J x 16

 **Caution**

Observe the allocation of wheels and tyres to the respective engines, which are listed in the overview table ⇒ page 274 .

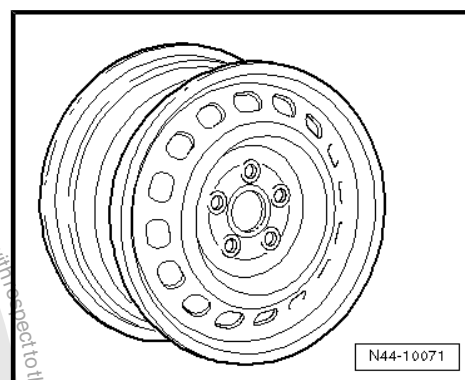
5K0 601 027 - Wheel and tyre combination ⇒ page 274

Size:	6 ¹ / ₂ J x 16
Wheel offset in mm:	50
Wheel load in kg:	615



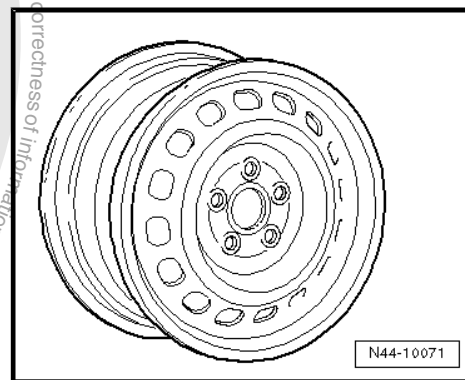
1K0 601 027 A, 1K0 601 027 AH - Wheel and tyre combination ⇒ page 274

Size:	6 ¹ / ₂ J x 16
Wheel offset in mm:	50
Wheel load in kg:	615



1K0 601 027 J, 1K0 601 027 K - Wheel and tyre combination ⇒ page 274

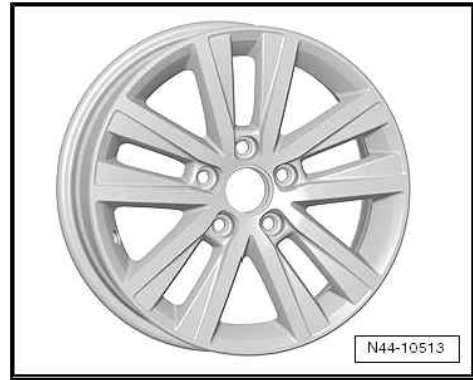
Size:	6 ¹ / ₂ J x 16
Wheel offset in mm:	50
Wheel load in kg:	615





5K0 601 025 AE - Wheel and tyre combination ⇒ page 274

Size:	6 ¹ / ₂ J x 16
Wheel offset in mm:	50
Wheel load in kg:	615



5C0 601 025 - Wheel and tyre combination ⇒ page 274

Size:	6 ¹ / ₂ J x 16
Wheel offset in mm:	50
Wheel load in kg:	615



5K0 601 025 E - Wheel and tyre combination ⇒ page 274

Size:	6 ¹ / ₂ J x 16
Wheel offset in mm:	50
Wheel load in kg:	615



5K0 601 025 S - Wheel and tyre combination ⇒ page 274

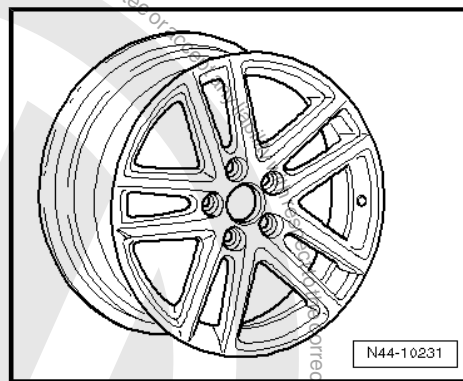
Size:	6 ¹ / ₂ J x 16
Wheel offset in mm:	50
Wheel load in kg:	615





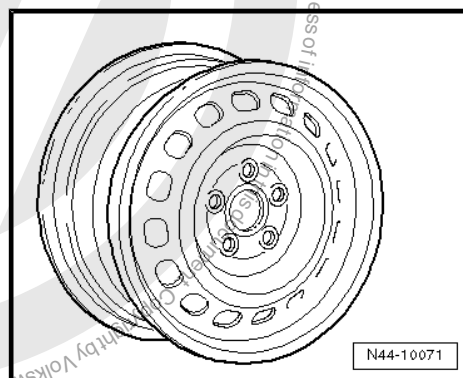
1K0 601 025 BM - Wheel and tyre combination ⇒ page 274

Size:	6 ¹ / ₂ J x 16
Wheel offset in mm:	50
Wheel load in kg:	615



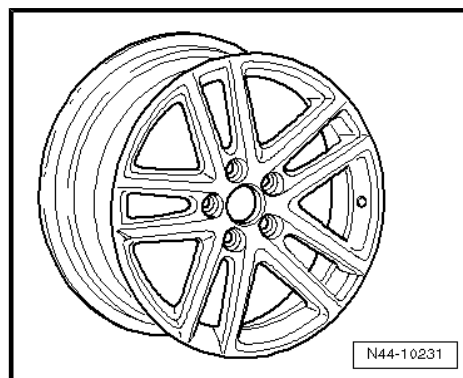
1K0 601 027 AK - Wheel and tyre combination ⇒ page 274

Size:	6 ¹ / ₂ J x 16
Wheel offset in mm:	50
Wheel load in kg:	615



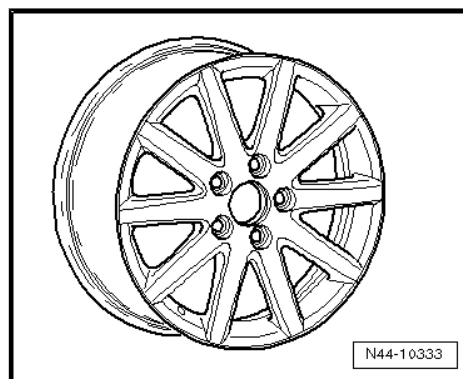
1K0 601 025 AJ - Wheel and tyre combination ⇒ page 274

Size:	6 ¹ / ₂ J x 16
Wheel offset in mm:	50
Wheel load in kg:	615



1K0 601 025 BC - Wheel and tyre combination ⇒ page 274

Size:	6 ¹ / ₂ J x 16
Wheel offset in mm:	50
Wheel load in kg:	615





1K0 601 025 BR - Wheel and tyre combination ⇒ page 274

Size:	6 ¹ / ₂ J x 16
Wheel offset in mm:	50
Wheel load in kg:	615



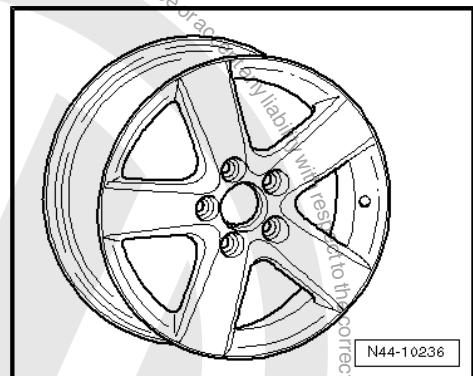
1K0 601 025 BS - Wheel and tyre combination ⇒ page 274

Size:	6 ¹ / ₂ J x 16
Wheel offset in mm:	50
Wheel load in kg:	615



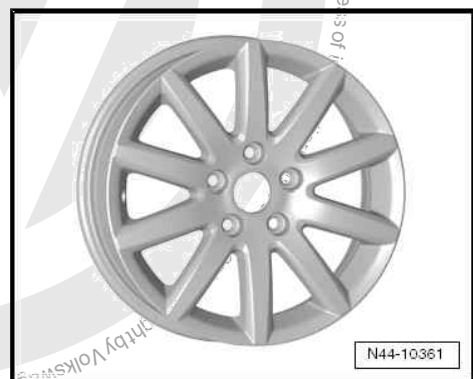
1K0 601 025 CB - Wheel and tyre combination ⇒ page 274

Size:	6 ¹ / ₂ J x 16
Wheel offset in mm:	50
Wheel load in kg:	615



1K0 601 025 CG - Wheel and tyre combination ⇒ page 274

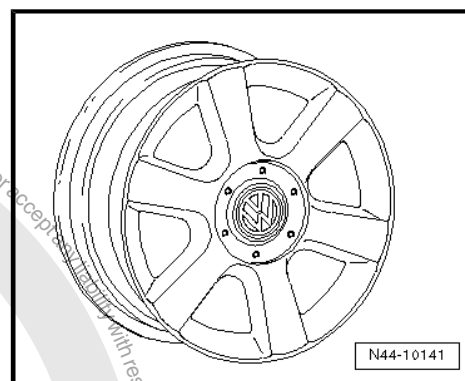
Size:	6 ¹ / ₂ J x 16
Wheel offset in mm:	50
Wheel load in kg:	615





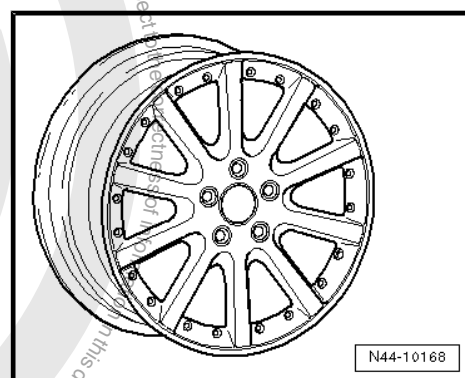
1T0 601 025 C - Wheel and tyre combination ⇒ page 274

Size:	6 ¹ / ₂ J x 16
Wheel offset in mm:	50
Wheel load in kg:	615



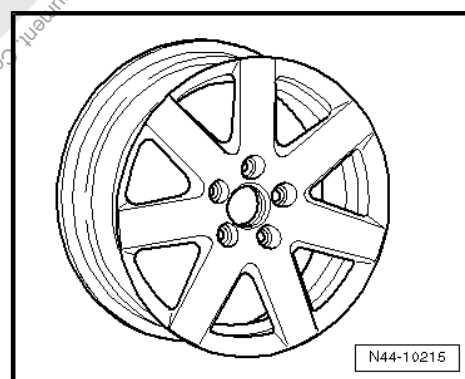
1K0 601 025 F - Wheel and tyre combination ⇒ page 274

Size:	6 ¹ / ₂ J x 16
Wheel offset in mm:	50
Wheel load in kg:	615



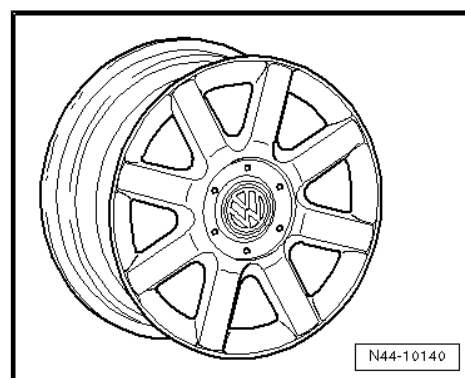
1K0 601 025 P - Wheel and tyre combination ⇒ page 274

Size:	6 ¹ / ₂ J x 16
Wheel offset in mm:	50
Wheel load in kg:	615



1K0 601 025 R - Wheel and tyre combination ⇒ page 274

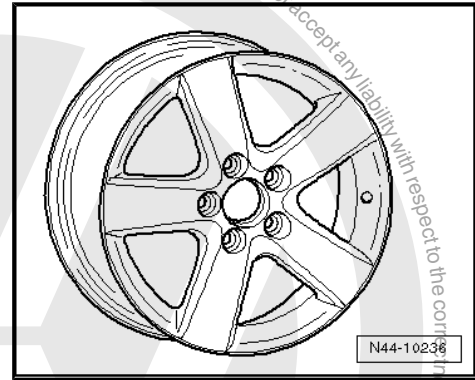
Size:	6 ¹ / ₂ J x 16
Wheel offset in mm:	50
Wheel load in kg:	615





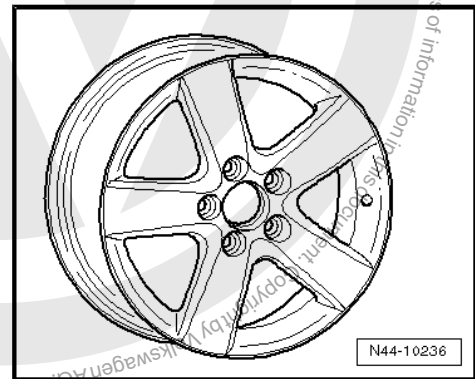
1T0 601 025 G, 1T0 601 025 K - Wheel and tyre combination
 ⇒ [page 274](#)

Size:	6 ¹ / ₂ J x 16
Wheel offset in mm:	50
Wheel load in kg:	615



1T0 601 025 M - Wheel and tyre combination ⇒ [page 274](#)

Size:	6 ¹ / ₂ J x 16
Wheel offset in mm:	50
Wheel load in kg:	615



1T0 601 025 R - Wheel and tyre combination ⇒ [page 274](#)

Size:	6 ¹ / ₂ J x 16
Wheel offset in mm:	50
Wheel load in kg:	615



30.2.5 7 J x 17

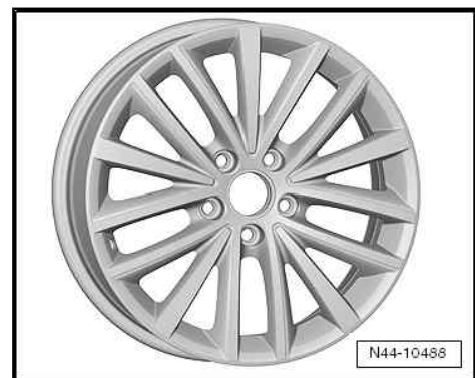


Caution

Observe the allocation of wheels and tyres to the respective engines, which are listed in the overview table ⇒ [page 274](#) .

5C0 601 025 A, 5C0 601 025 B - Wheel and tyre combination
 ⇒ [page 274](#)

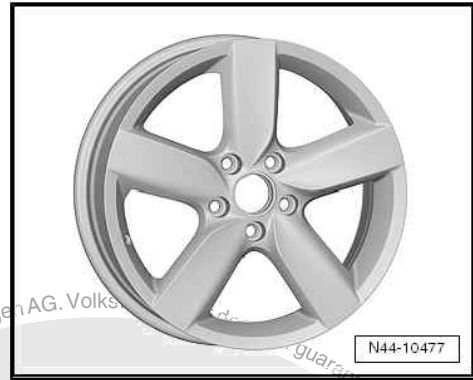
Size:	7 J x 17
Wheel offset in mm:	54
Wheel load in kg:	615





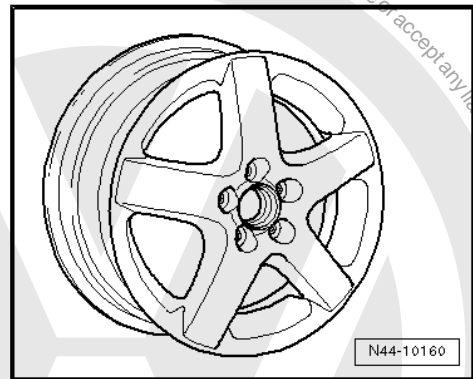
5K0 601 025 AA - Wheel and tyre combination ⇒ page 274

Size:	7 J x 17
Wheel offset in mm:	54
Wheel load in kg:	615



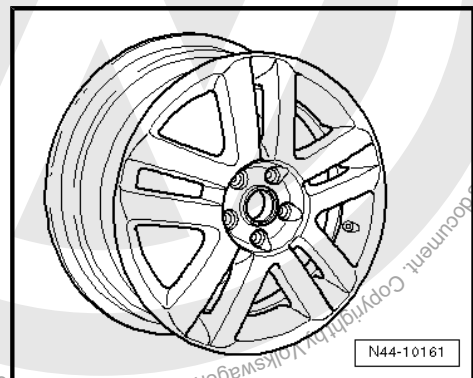
1K0 601 025 B - Wheel and tyre combination ⇒ page 274

Size:	7 J x 17
Wheel offset in mm:	54
Wheel load in kg:	615



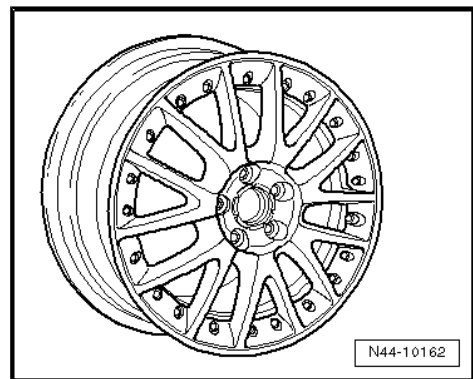
1K0 601 025 C - Wheel and tyre combination ⇒ page 274

Size:	7 J x 17
Wheel offset in mm:	54
Wheel load in kg:	615



1K0 601 025 J - Wheel and tyre combination ⇒ page 274

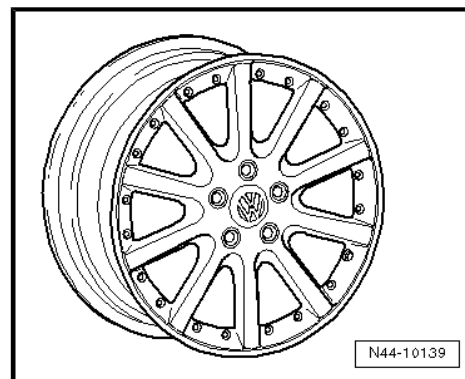
Size:	7 J x 17
Wheel offset in mm:	54
Wheel load in kg:	615





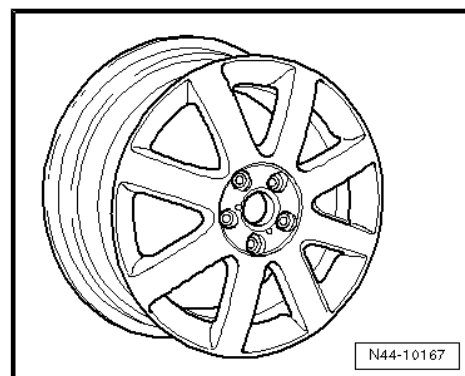
1K0 601 025 K - Wheel and tyre combination ⇒ page 274

Size:	7 J x 17
Wheel offset in mm:	54
Wheel load in kg:	615



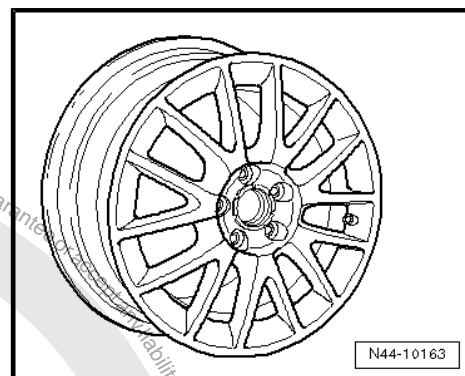
1K0 601 025 M - Wheel and tyre combination ⇒ page 274

Size:	7 J x 17
Wheel offset in mm:	54
Wheel load in kg:	615



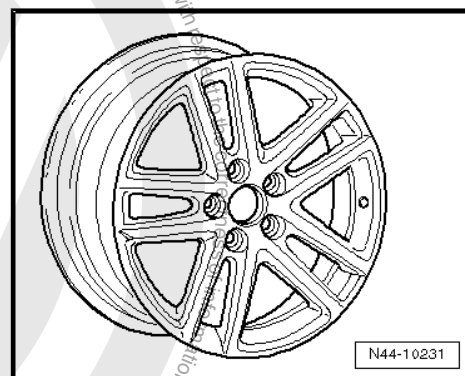
1K0 601 025 T - Wheel and tyre combination ⇒ page 274

Size:	7 J x 17
Wheel offset in mm:	54
Wheel load in kg:	615



1K0 601 025 AF - Wheel and tyre combination ⇒ page 274

Size:	7 J x 17
Wheel offset in mm:	54
Wheel load in kg:	630

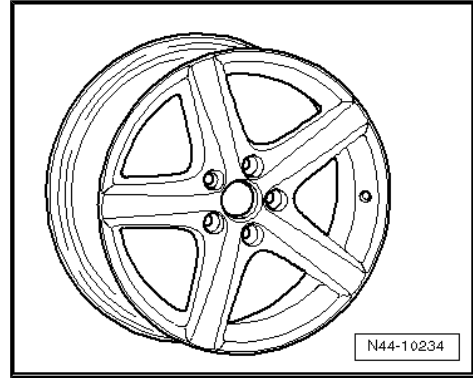


Protected by copyright. Copying for private or commercial purposes, in part or in whole, is not permitted unless authorised by Volkswagen AG. Volkswagen AG does not guarantee the stability of this document. Copyright by Volkswagen AG.



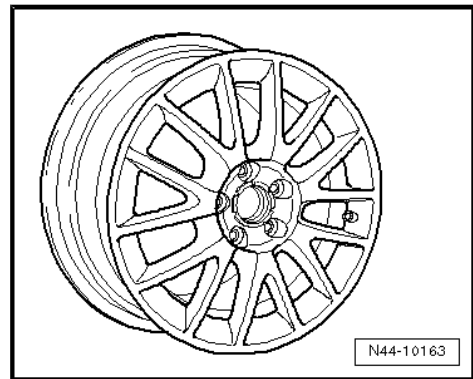
1K0 601 025 AE - Wheel and tyre combination ⇒ page 274

Size:	7 J x 17
Wheel offset in mm:	54
Wheel load in kg:	630



1K0 601 025 AN - Wheel and tyre combination ⇒ page 274

Size:	7 J x 17
Wheel offset in mm:	54
Wheel load in kg:	615



30.2.6 7¹/₂ J x 17



Caution

Observe the allocation of wheels and tyres to the respective engines, which are listed in the overview table ⇒ page 274 .

5K0 601 025 N - Wheel and tyre combination ⇒ page 274

Only vehicles with sports running gear

Size:	7 ¹ / ₂ J x 17
Wheel offset in mm:	51
Wheel load in kg:	630



5K0 601 025 G - Wheel and tyre combination ⇒ page 274

Only vehicles with sports running gear

Size:	7 ¹ / ₂ J x 17
Wheel offset in mm:	51
Wheel load in kg:	630

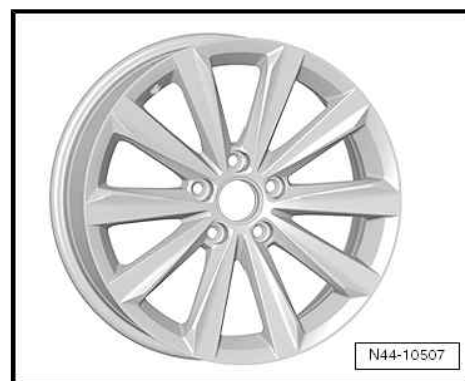




5K0 601 025 AD - Wheel and tyre combination ⇒ page 274

Only vehicles with sports running gear

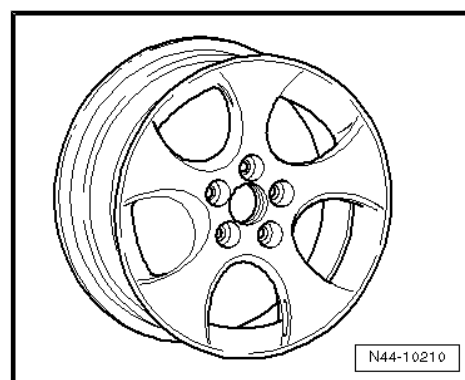
Size:	7 ¹ / ₂ J x 17
Wheel offset in mm:	51
Wheel load in kg:	630



1K0 601 025 BB - Wheel and tyre combination ⇒ page 274

Only vehicles with sports running gear

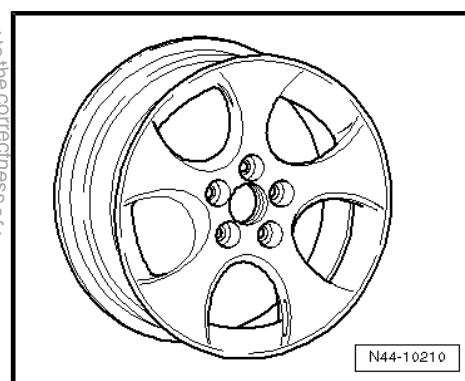
Size:	7 ¹ / ₂ J x 17
Wheel offset in mm:	51
Wheel load in kg:	615



1K0 601 025 AC - Wheel and tyre combination ⇒ page 274

Only vehicles with sports running gear

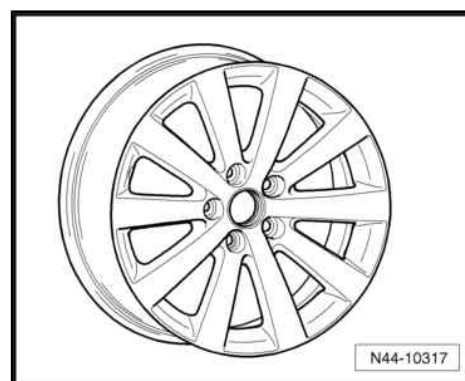
Size:	7 ¹ / ₂ J x 17
Wheel offset in mm:	51
Wheel load in kg:	615



1K0 601 025 BK - Wheel and tyre combination ⇒ page 274

Only vehicles with sports running gear

Size:	7 ¹ / ₂ J x 17
Wheel offset in mm:	51
Wheel load in kg:	615



30.2.7 7¹/₂ J x 18

	<p>Caution</p> <p><i>Observe the allocation of wheels and tyres to the respective engines, which are listed in the overview table ⇒ page 274 .</i></p>
--	---



5K0 601 025 H - Wheel and tyre combination ⇒ page 274

Only for vehicles with sports running gear and rear axle camber of $-1^{\circ}45'$

Size:	7 ¹ / ₂ J x 18
Wheel offset in mm:	51
Wheel load in kg:	630



5K0 601 025 L - Wheel and tyre combination

Only for vehicles with sports running gear and rear axle camber of $-1^{\circ}45'$

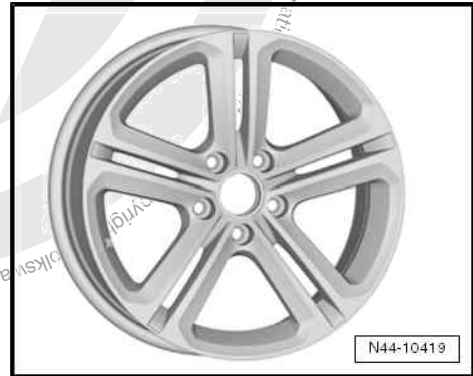
Size:	7 ¹ / ₂ J x 18
Wheel offset in mm:	51
Wheel load in kg:	615



5K0 601 025 P - Wheel and tyre combination

Only for vehicles with sports running gear and rear axle camber of $-1^{\circ}45'$

Size:	7 ¹ / ₂ J x 18
Wheel offset in mm:	51
Wheel load in kg:	630



5K0 601 025 AC - Wheel and tyre combination

Only for vehicles with sports running gear and rear axle camber of $-1^{\circ}45'$

Size:	7 ¹ / ₂ J x 18
Wheel offset in mm:	51
Wheel load in kg:	630

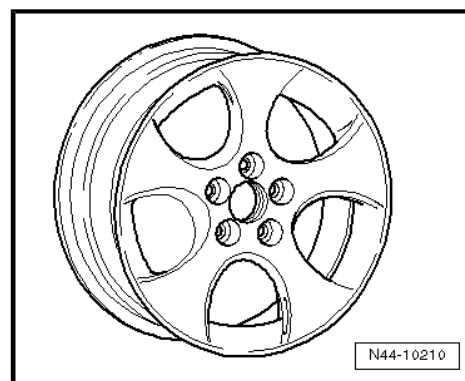




1K0 601 025 BA - Wheel and tyre combination

Only for vehicles with sports running gear and rear axle camber of -1°45'

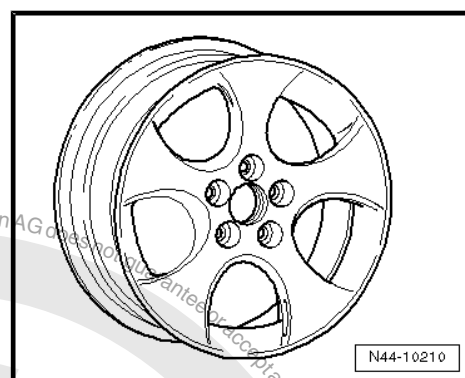
Size:	7 ¹ / ₂ J x 18
Wheel offset in mm:	51
Wheel load in kg:	615



1K0 601 025 AH - Wheel and tyre combination

Only for vehicles with sports running gear and rear axle camber of -1°45'

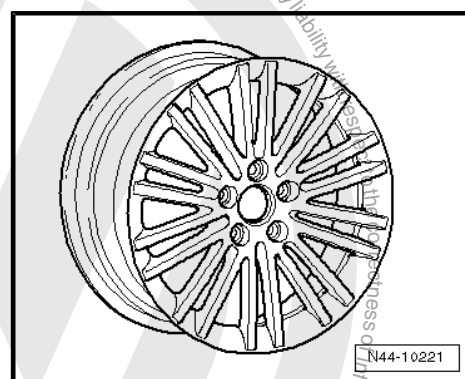
Size:	7 ¹ / ₂ J x 18
Wheel offset in mm:	51
Wheel load in kg:	615



1K0 601 025 AD - Wheel and tyre combination

Only for vehicles with sports running gear and rear axle camber of -1°45'

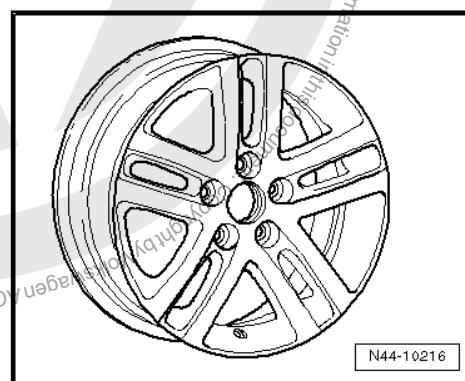
Size:	7 ¹ / ₂ J x 18
Wheel offset in mm:	51
Wheel load in kg:	630



1K0 601 025 AG - Wheel and tyre combination

Only for vehicles with sports running gear and rear axle camber of -1°45'

Size:	7 ¹ / ₂ J x 18
Wheel offset in mm:	51
Wheel load in kg:	630

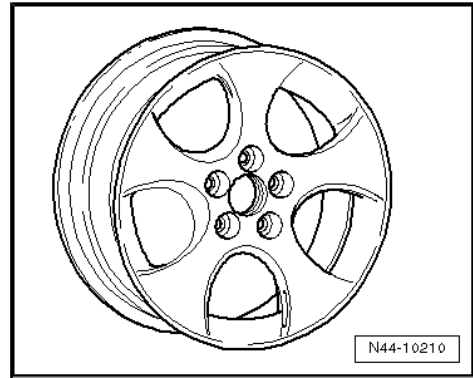




1K0 601 025 AM - Wheel and tyre combination

Only for vehicles with sports running gear and rear axle camber of $-1^{\circ}45'$

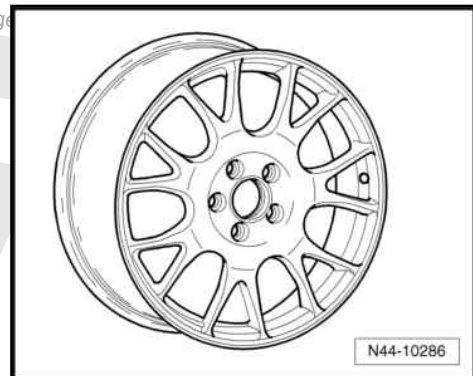
Size:	7 $\frac{1}{2}$ J x 18
Wheel offset in mm:	51
Wheel load in kg:	615



1K0 601 025 AT, 1K0 601 025 CC - Wheel and tyre combination

Only for vehicles with sports running gear and rear axle camber of $-1^{\circ}45'$

Size:	7 $\frac{1}{2}$ J x 18
Wheel offset in mm:	51
Wheel load in kg:	615



1K0 601 025 BE - Wheel and tyre combination

Only for vehicles with sports running gear and rear axle camber of $-1^{\circ}45'$

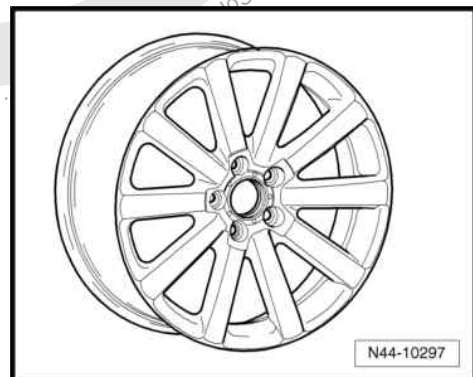
Size:	7 $\frac{1}{2}$ J x 18
Wheel offset in mm:	51
Wheel load in kg:	615



1K0 601 025 BL - Wheel and tyre combination

Only for vehicles with sports running gear and rear axle camber of $-1^{\circ}45'$

Size:	7 $\frac{1}{2}$ J x 18
Wheel offset in mm:	51
Wheel load in kg:	615






31 Jetta from model year 2011 (NAR)

General

Volkswagen vehicles are built according to the latest findings in safety engineering. To keep it that way, we recommend the use of only genuine Volkswagen spare parts. You can recognise this by the VW Audi logo and by the part number. It has been established that these parts are reliable, safe and suitable.

Despite constant appraisal of the market, we cannot assess other products on these points, even when in isolated cases they have been passed by official inspectors or have been granted official approval. Therefore, we cannot, of course, assume any liability if these products are installed.




WARNING

The products from Volkswagen genuine parts and Volkswagen accessories may differ in fitting requirements, torque specifications and so on.

Always follow the respective fitting and operating instructions.

The wheel and tyre combinations or changes listed in the vehicle tables refer exclusively to Volkswagen Genuine wheels. Approval of wheel and tyre combinations or a change to wheels from the accessories trade is not possible with the certificate statement attached here.



WARNING

The fitting instructions and torque specifications for wheels from Volkswagen accessories may differ from those intended for wheels from Volkswagen genuine parts.

Therefore, always observe the torque settings for the wheel bolts as well as the respective fitting and operating instructions.

31.1 Jetta, sales type 162 from model year 2011 (NAR)

Overview

Model engine output	Tyres	Tyre size	Wheel rim	Off-set in mm	Snow chains	Remarks
2.0l 85 kW petrol engine	Standard tyres	195/65 R 15 91H	6 J x 15 ⇒ page 295	47	Yes	General information on: ◆ Winter tyres ⇒ page 14 ◆ Snow chains ⇒ page 17
2.0 l 81 kW TDI; 2.0 l 103 kW TDI; diesel engine	Modification	195/65 R 15 91V	6 J x 15 ⇒ page 295	47	Yes	Tyre makes recommended by Volkswagen: ◆ All-season tyres ⇒ page 487
		195/65 R 15 91H/V	6 ¹ / ₂ J x 15 ⇒ page 295	50	Yes	
		205/60 R 15 91H/V	6 J x 15 ⇒ page 295	47	Yes	



Model engine output	Tyres	Tyre size	Wheel rim	Off-set in mm	Snow chains	Remarks
		205/55 R 16 91H/V/W	6 ¹ / ₂ J x 16 ⇒ page 297	50	No	* 225/45 R 17 91T/H/V/W tyres on 7 ¹ / ₂ J x 17 rims with an offset of 51 are permitted only on vehicles with sports running gear! ** 225/40 R 18 92Y tyres on 7 ¹ / ₂ J x 18 rims with an offset of 51 are permitted only on vehicles with sports running gear and rear axle camber of -1°45'!
		225/45 R 17 91H/V/W	7 J x 17 ⇒ page 302	54	No	
		225/45 R 17 91T/H/V/W* ⇒ page 294	7 ¹ / ₂ J x 17 ⇒ page 306	51	No	
		225/40 R 18 92Y** ⇒ page 294	7 ¹ / ₂ J x 18 ⇒ page 307	51	No	
	Winter tyres	195/65 R 15 91Q/T/H	6 J x 15 ⇒ page 295	47	Yes	
		205/55 R 16 91Q/T/H	6 J x 16 ⇒ page 297 ⇒ page 297	50	Yes	
2.0l 147 kW; 2.5l 125 kW petrol engine	Standard tyres	205/55 R 16 91H/V	6 ¹ / ₂ J x 16 ⇒ page 297	50	No	
	Modification	225/45 R 17 91V/W	7 J x 17 ⇒ page 302	54	No	
		225/45 R 17 91V/W * ⇒ page 294	7 ¹ / ₂ J x 17 ⇒ page 306	51	No	
		225/40 R 18 92Y** ⇒ page 294	7 ¹ / ₂ J x 18 ⇒ page 307	51	No	
	Winter tyres	205/55 R 16 91Q/T/H	6 J x 16 ⇒ page 297	50	Yes	

Tyre pressures are printed on the tyre inflation pressure label, which can be found on the inside of the tank flap and on the driver's B-pillar.




31.2 Wheel allocation for Jetta, sales type 162 from model year 2011 (NAR)

Explanation of information on wheels ⇒ [page 49](#)

Torque settings for wheel bolts ⇒ Running gear, axles, steering;
 Rep. gr. 44 ; Torque settings for fitting wheels

Pitch circle diameter: 112 mm
 Number of wheel bolt holes: 5

31.2.1 6 J x 15

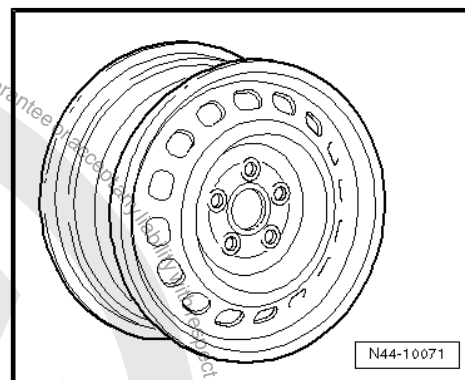


Caution

Observe the allocation of wheels and tyres to the respective engines, which are listed in the overview table ⇒ [page 293](#) .

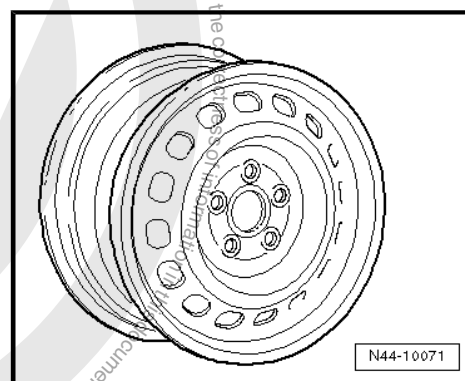
1K0 601 027 H - Wheel and tyre combination ⇒ [page 293](#)

Size:	6 J x 15
Wheel offset in mm:	47
Wheel load in kg:	615




1K0 601 027 C, 1K0 601 027 T - Wheel and tyre combination
 ⇒ [page 293](#)

Size:	6 J x 15
Wheel offset in mm:	47
Wheel load in kg:	615



31.2.2 6 1/2 J x 15



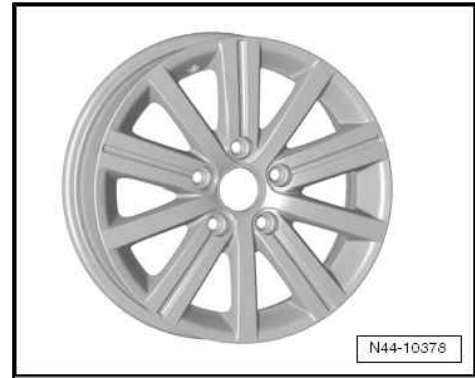
Caution

Observe the allocation of wheels and tyres to the respective engines, which are listed in the overview table ⇒ [page 293](#) .



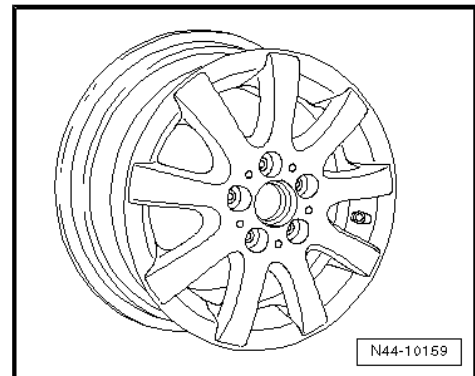
5K0 601 025 J - Wheel and tyre combination ⇒ page 293

Size:	6 ¹ / ₂ J x 15
Wheel offset in mm:	50
Wheel load in kg:	600



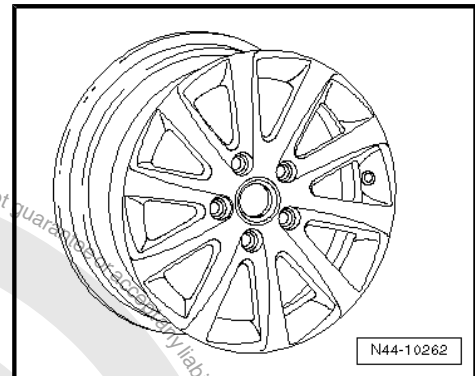
1K0 601 025 A - Wheel and tyre combination ⇒ page 293

Size:	6 ¹ / ₂ J x 15
Wheel offset in mm:	50
Wheel load in kg:	600



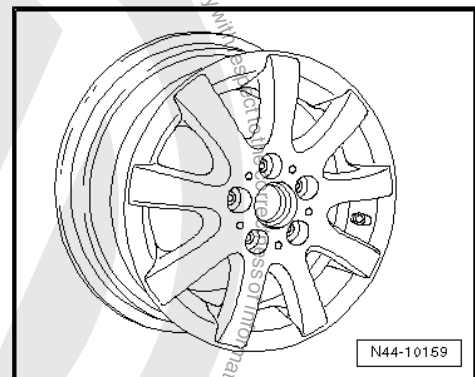
1K0 601 025 AK - Wheel and tyre combination ⇒ page 293

Size:	6 ¹ / ₂ J x 15
Wheel offset in mm:	50
Wheel load in kg:	600



1K0 601 025 AQ - Wheel and tyre combination ⇒ page 293

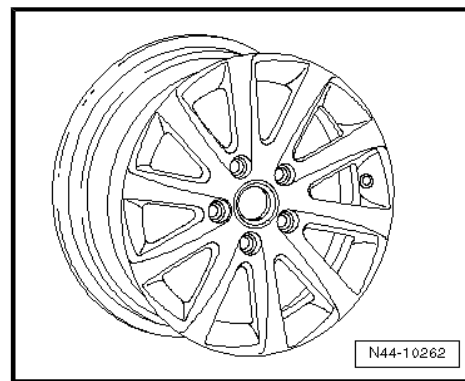
Size:	6 ¹ / ₂ J x 15
Wheel offset in mm:	50
Wheel load in kg:	600





1K0 601 025 CA - Wheel and tyre combination ⇒ page 293

Size:	6 ¹ / ₂ J x 15
Wheel offset in mm:	50
Wheel load in kg:	600



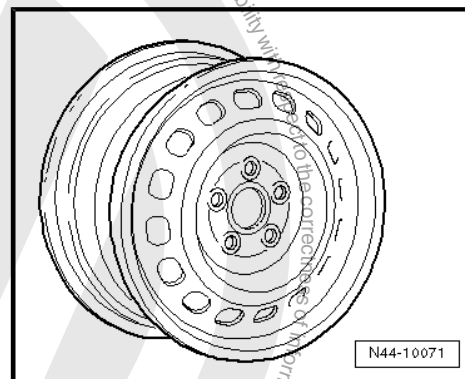
31.2.3 6 J x 16

⚠ Caution
Observe the allocation of wheels and tyres to the respective engines, which are listed in the overview table ⇒ page 293 .

Winter wheels

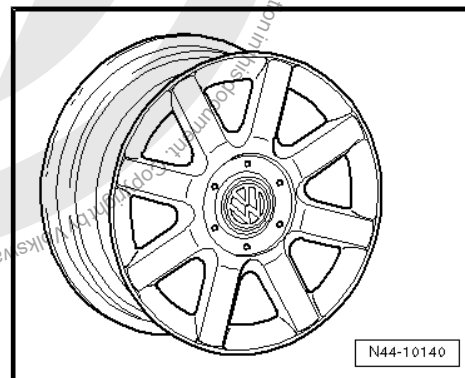
8P0 601 027 - Wheel and tyre combination ⇒ page 294

Size:	6 J x 16
Wheel offset in mm:	50
Wheel load in kg:	600



1K0 601 025 Q - Wheel and tyre combination ⇒ page 294

Size:	6 J x 16 EH2 ⇒ page 49
Wheel offset in mm:	50
Wheel load in kg:	615



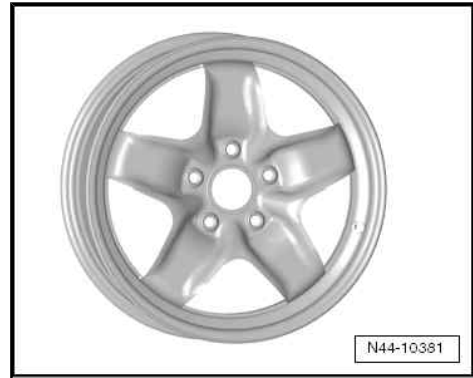
31.2.4 6¹/₂ J x 16

⚠ Caution
Observe the allocation of wheels and tyres to the respective engines, which are listed in the overview table ⇒ page 89 .



5K0 601 027 - Wheel and tyre combination ⇒ page 294

Size:	6 ¹ / ₂ J x 16
Wheel offset in mm:	50
Wheel load in kg:	615



5C0 601 025 - Wheel and tyre combination ⇒ page 294

Size:	6 ¹ / ₂ J x 16
Wheel offset in mm:	50
Wheel load in kg:	615



5K0 601 025 E - Wheel and tyre combination ⇒ page 294

Size:	6 ¹ / ₂ J x 16
Wheel offset in mm:	50
Wheel load in kg:	615



5K0 601 025 S - Wheel and tyre combination ⇒ page 294

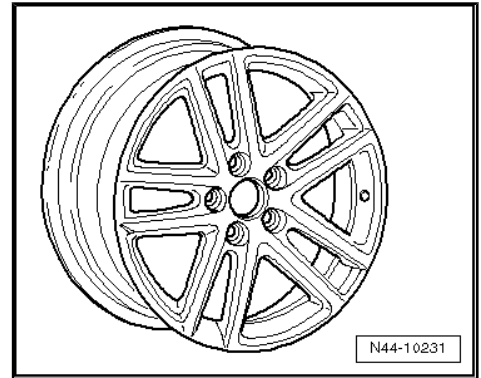
Size:	6 ¹ / ₂ J x 16
Wheel offset in mm:	50
Wheel load in kg:	615





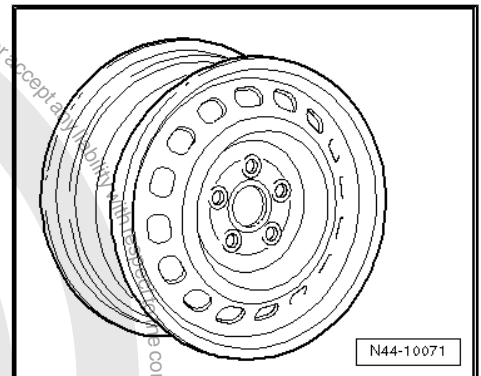
1K0 601 025 BM - Wheel and tyre combination ⇒ [page 294](#)

Size:	6 ¹ / ₂ J x 16
Wheel offset in mm:	50
Wheel load in kg:	615



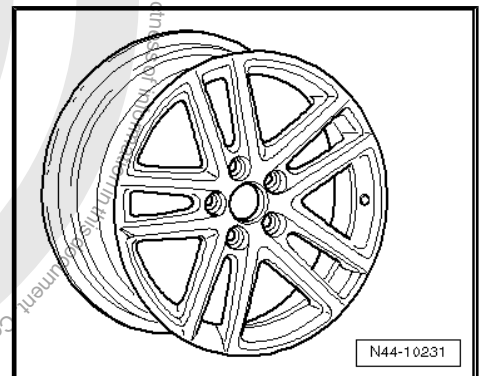
1K0 601 027 AK - Wheel and tyre combination ⇒ [page 294](#)

Size:	6 ¹ / ₂ J x 16
Wheel offset in mm:	50
Wheel load in kg:	615



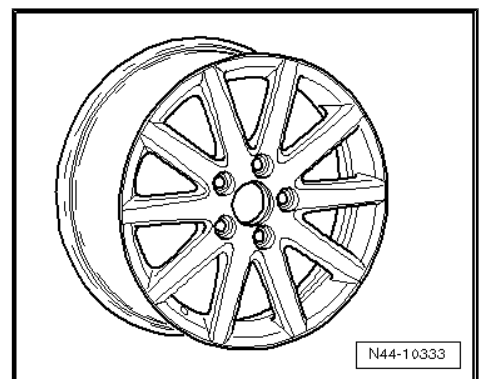
1K0 601 025 AJ - Wheel and tyre combination ⇒ [page 294](#)

Size:	6 ¹ / ₂ J x 16
Wheel offset in mm:	50
Wheel load in kg:	615



1K0 601 025 BC - Wheel and tyre combination ⇒ [page 294](#)

Size:	6 ¹ / ₂ J x 16
Wheel offset in mm:	50
Wheel load in kg:	615





1K0 601 025 BR - Wheel and tyre combination ⇒ page 294

Size:	6 ¹ / ₂ J x 16
Wheel offset in mm:	50
Wheel load in kg:	615



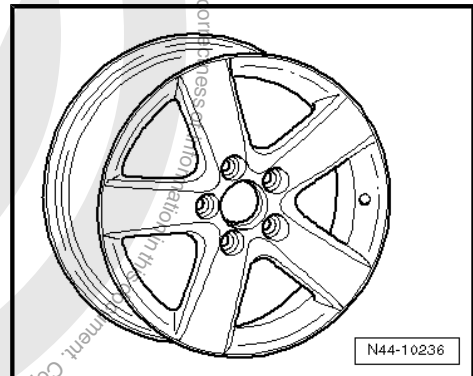
1K0 601 025 BS - Wheel and tyre combination ⇒ page 294

Size:	6 ¹ / ₂ J x 16
Wheel offset in mm:	50
Wheel load in kg:	615



1K0 601 025 CB - Wheel and tyre combination ⇒ page 294

Size:	6 ¹ / ₂ J x 16
Wheel offset in mm:	50
Wheel load in kg:	615



1K0 601 025 CG - Wheel and tyre combination ⇒ page 294

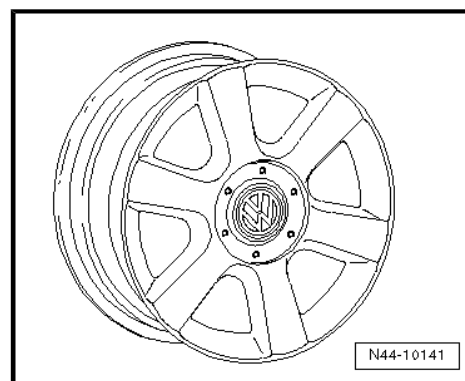
Size:	6 ¹ / ₂ J x 16
Wheel offset in mm:	50
Wheel load in kg:	615





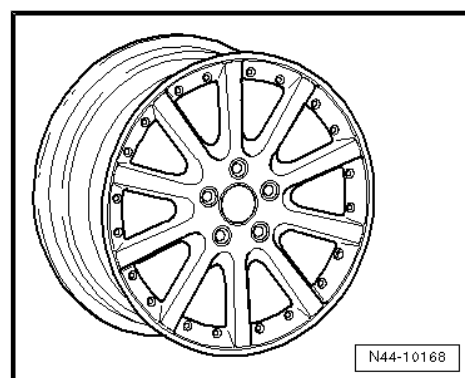
1T0 601 025 C - Wheel and tyre combination ⇒ page 294

Size:	6 ¹ / ₂ J x 16
Wheel offset in mm:	50
Wheel load in kg:	615



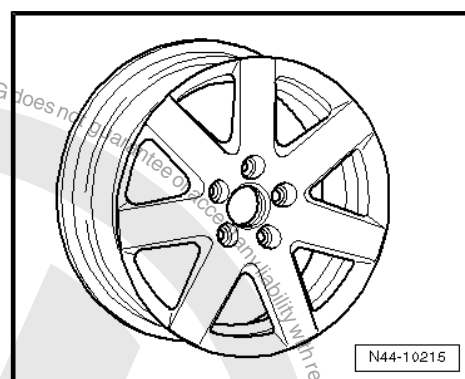
1K0 601 025 F - Wheel and tyre combination ⇒ page 294

Size:	6 ¹ / ₂ J x 16
Wheel offset in mm:	50
Wheel load in kg:	615



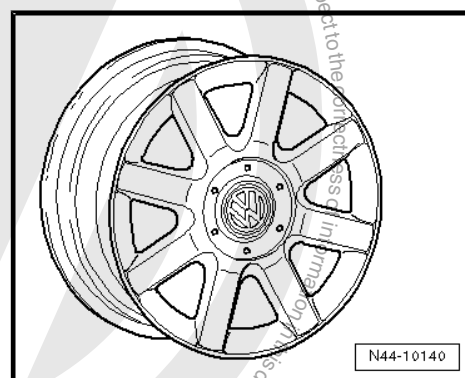
1K0 601 025 P - Wheel and tyre combination ⇒ page 294

Size:	6 ¹ / ₂ J x 16
Wheel offset in mm:	50
Wheel load in kg:	615



1K0 601 025 R - Wheel and tyre combination ⇒ page 294

Size:	6 ¹ / ₂ J x 16
Wheel offset in mm:	50
Wheel load in kg:	615

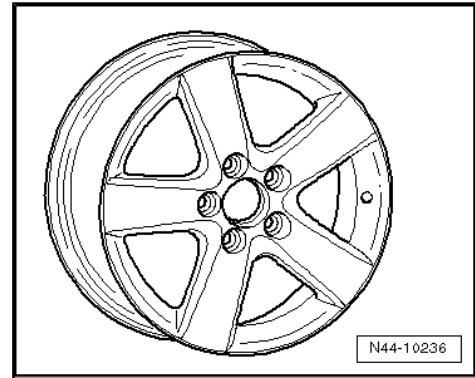


Protected by copyright. Copying for private or commercial purposes, in part or in whole, is not permitted unless authorised by Volkswagen AG. Volkswagen AG does not bear any liability with respect to the technicalness of this document. Copyright by Volkswagen AG.



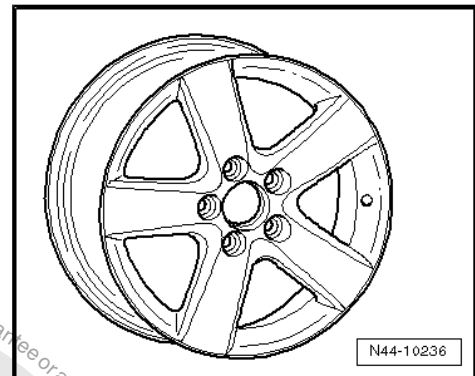
1T0 601 025 G, 1T0 601 025 K - Wheel and tyre combination
⇒ [page 294](#)

Size:	6 ¹ / ₂ J x 16
Wheel offset in mm:	50
Wheel load in kg:	615



1T0 601 025 M - Wheel and tyre combination ⇒ [page 294](#)

Size:	6 ¹ / ₂ J x 16
Wheel offset in mm:	50
Wheel load in kg:	615



1T0 601 025 R - Wheel and tyre combination ⇒ [page 294](#)

Size:	6 ¹ / ₂ J x 16
Wheel offset in mm:	50
Wheel load in kg:	615



31.2.5 7 J x 17



Caution

Observe the allocation of wheels and tyres to the respective engines, which are listed in the overview table ⇒ [page 89](#).

5C0 601 025 A, 5C0 601 025 B - Wheel and tyre combination
⇒ [page 294](#)

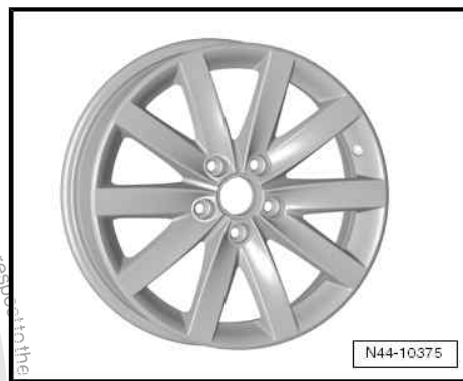
Size:	7 J x 17
Wheel offset in mm:	54
Wheel load in kg:	615





5K0 601 025 D - Wheel and tyre combination ⇒ page 294

Size:	7 J x 17
Wheel offset in mm:	54
Wheel load in kg:	615



5K0 601 025 F - Wheel and tyre combination ⇒ page 294

Size:	7 J x 17
Wheel offset in mm:	54
Wheel load in kg:	615



5K0 601 025 K - Wheel and tyre combination ⇒ page 294

Size:	7 J x 17
Wheel offset in mm:	54
Wheel load in kg:	615



5K0 601 025 Q, 5K0 601 025 R - Wheel and tyre combination ⇒ page 294

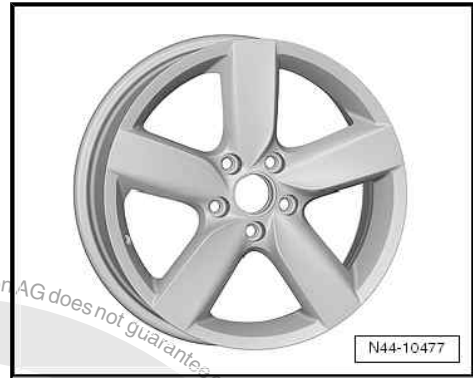
Size:	7 J x 17
Wheel offset in mm:	54
Wheel load in kg:	615





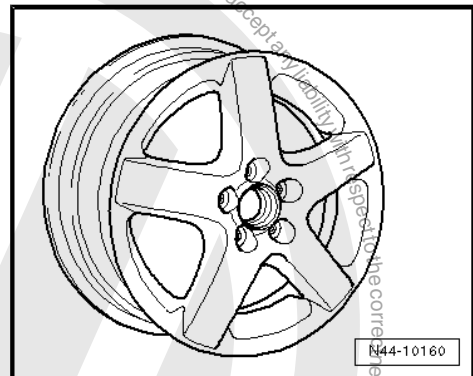
5K0 601 025 AA - Wheel and tyre combination ⇒ page 294

Size:	7 J x 17
Wheel offset in mm:	54
Wheel load in kg:	615



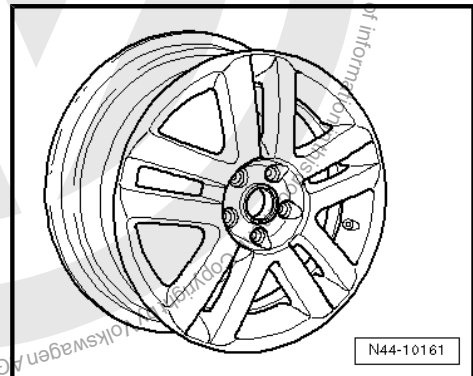
1K0 601 025 B - Wheel and tyre combination ⇒ page 294

Size:	7 J x 17
Wheel offset in mm:	54
Wheel load in kg:	615



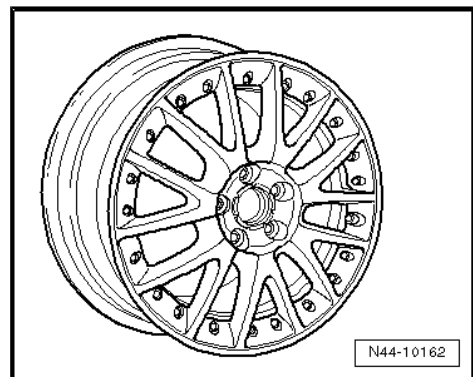
1K0 601 025 C - Wheel and tyre combination ⇒ page 294

Size:	7 J x 17
Wheel offset in mm:	54
Wheel load in kg:	615



1K0 601 025 J - Wheel and tyre combination ⇒ page 294

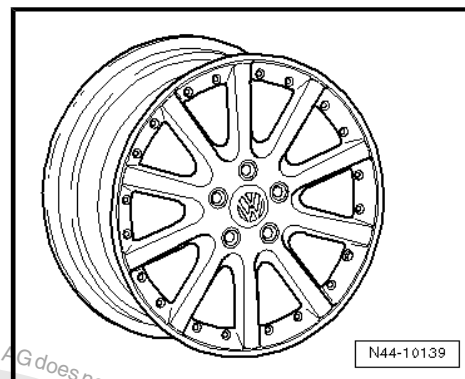
Size:	7 J x 17
Wheel offset in mm:	54
Wheel load in kg:	615





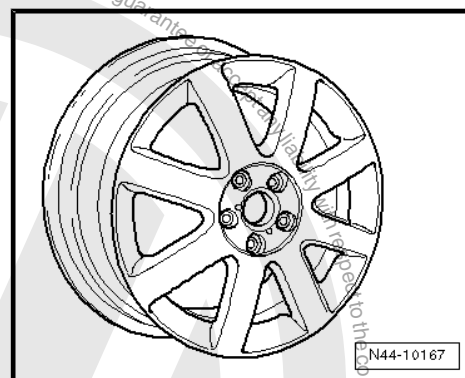
1K0 601 025 K - Wheel and tyre combination ⇒ page 294

Size:	7 J x 17
Wheel offset in mm:	54
Wheel load in kg:	615



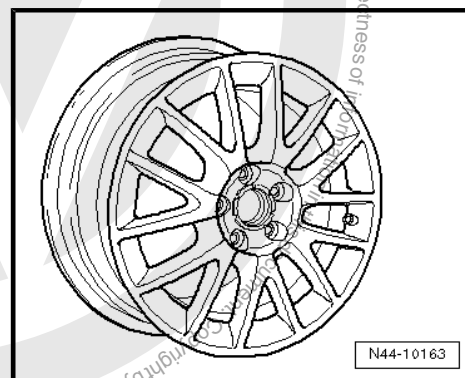
1K0 601 025 M - Wheel and tyre combination ⇒ page 294

Size:	7 J x 17
Wheel offset in mm:	54
Wheel load in kg:	615



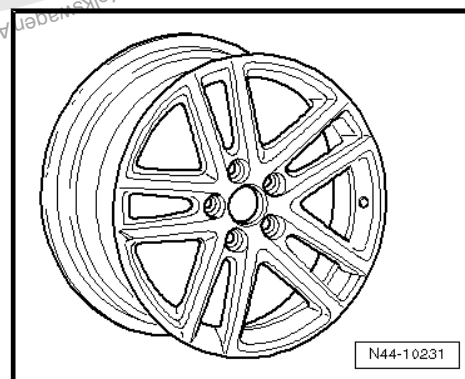
1K0 601 025 T - Wheel and tyre combination ⇒ page 294

Size:	7 J x 17
Wheel offset in mm:	54
Wheel load in kg:	615



1K0 601 025 AF - Wheel and tyre combination ⇒ page 294

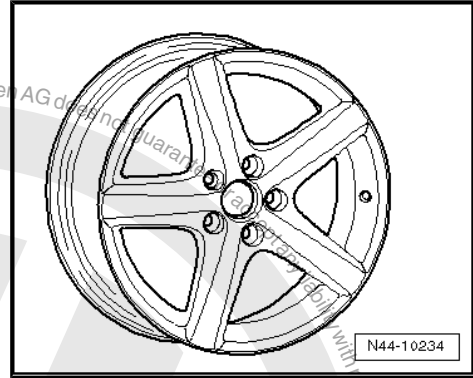
Size:	7 J x 17
Wheel offset in mm:	54
Wheel load in kg:	630





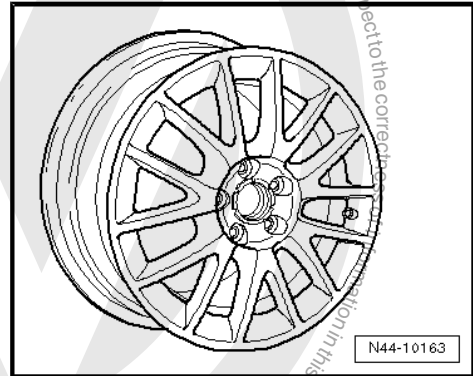
1K0 601 025 AE - Wheel and tyre combination ⇒ page 294

Size:	7 J x 17
Wheel offset in mm:	54
Wheel load in kg:	630



1K0 601 025 AN - Wheel and tyre combination ⇒ page 294

Size:	7 J x 17
Wheel offset in mm:	54
Wheel load in kg:	615



31.2.6 7¹/₂ J x 17



Caution

Observe the allocation of wheels and tyres to the respective engines, which are listed in the overview table ⇒ page 89 .

5K0 601 025 N - Wheel and tyre combination ⇒ page 294

Only vehicles with sports running gear

Size:	7 ¹ / ₂ J x 17
Wheel offset in mm:	51
Wheel load in kg:	630



5K0 601 025 G - Wheel and tyre combination ⇒ page 294

Only vehicles with sports running gear

Size:	7 ¹ / ₂ J x 17
Wheel offset in mm:	51
Wheel load in kg:	630

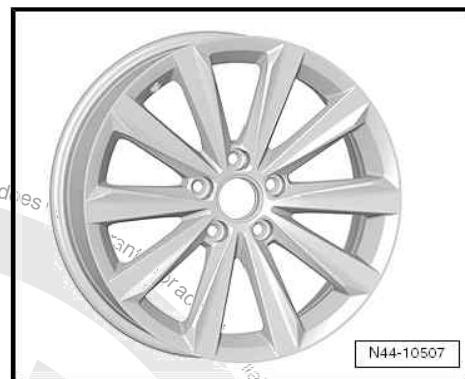




5K0 601 025 AD - Wheel and tyre combination ⇒ page 294

Only vehicles with sports running gear

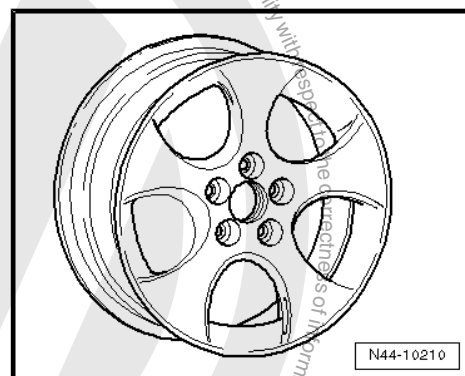
Size:	7 ¹ / ₂ J x 17
Wheel offset in mm:	51
Wheel load in kg:	630



1K0 601 025 BB - Wheel and tyre combination ⇒ page 294

Only vehicles with sports running gear

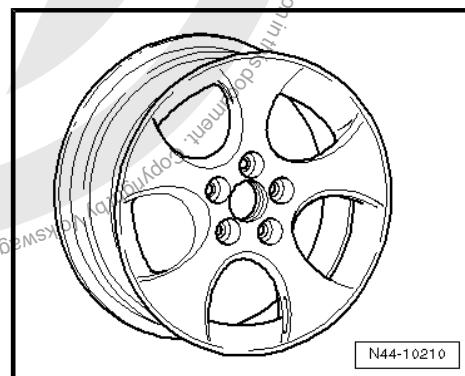
Size:	7 ¹ / ₂ J x 17
Wheel offset in mm:	51
Wheel load in kg:	615



1K0 601 025 AC - Wheel and tyre combination ⇒ page 294

Only vehicles with sports running gear

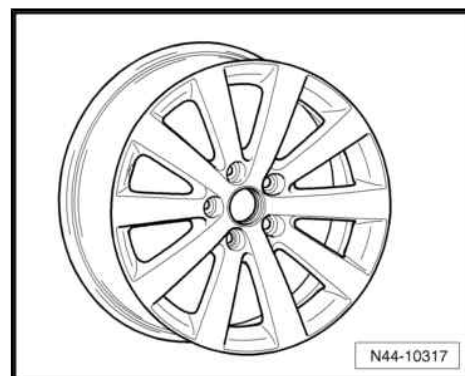
Size:	7 ¹ / ₂ J x 17
Wheel offset in mm:	51
Wheel load in kg:	615




1K0 601 025 BK - Wheel and tyre combination ⇒ page 294

Only vehicles with sports running gear

Size:	7 ¹ / ₂ J x 17
Wheel offset in mm:	51
Wheel load in kg:	615



31.2.7 7¹/₂ J x 18

	<p>Caution</p> <p><i>Observe the allocation of wheels and tyres to the respective engines, which are listed in the overview table ⇒ page 89 .</i></p>
---	--



5K0 601 025 H - Wheel and tyre combination ⇒ page 294

Only for vehicles with sports running gear and rear axle camber of $-1^{\circ}45'$

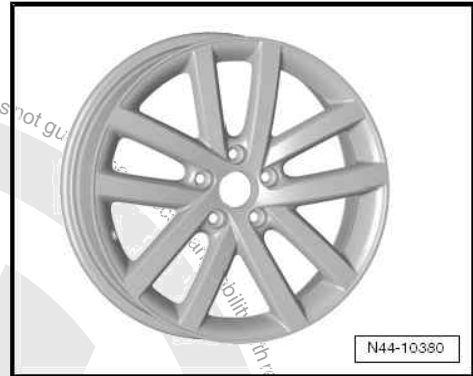
Size:	7 ¹ / ₂ J x 18
Wheel offset in mm:	51
Wheel load in kg:	630



5K0 601 025 L - Wheel and tyre combination ⇒ page 294

Only for vehicles with sports running gear and rear axle camber of $-1^{\circ}45'$

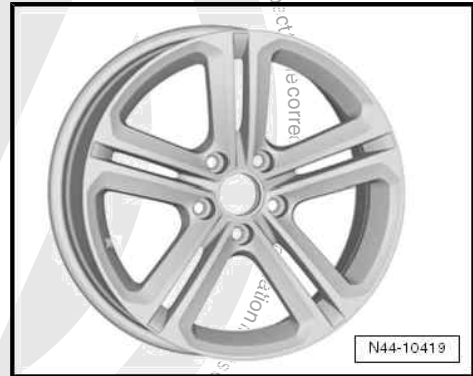
Size:	7 ¹ / ₂ J x 18
Wheel offset in mm:	51
Wheel load in kg:	615



5K0 601 025 P - Wheel and tyre combination ⇒ page 294

Only for vehicles with sports running gear and rear axle camber of $-1^{\circ}45'$

Size:	7 ¹ / ₂ J x 18
Wheel offset in mm:	51
Wheel load in kg:	630



5K0 601 025 AC - Wheel and tyre combination ⇒ page 294

Only for vehicles with sports running gear and rear axle camber of $-1^{\circ}45'$

Size:	7 ¹ / ₂ J x 18
Wheel offset in mm:	51
Wheel load in kg:	630

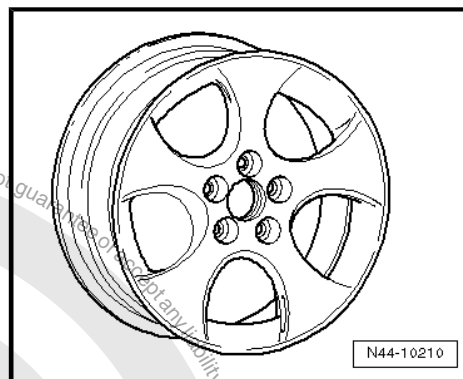




1K0 601 025 BA - Wheel and tyre combination ⇒ page 294

Only for vehicles with sports running gear and rear axle camber of -1°45'

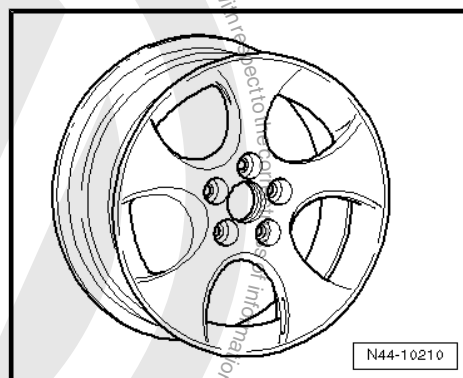
Size:	7 1/2 J x 18
Wheel offset in mm:	51
Wheel load in kg:	615



1K0 601 025 AH - Wheel and tyre combination ⇒ page 294

Only for vehicles with sports running gear and rear axle camber of -1°45'

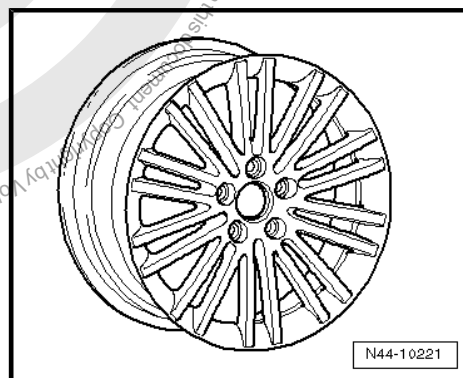
Size:	7 1/2 J x 18
Wheel offset in mm:	51
Wheel load in kg:	615



1K0 601 025 AD - Wheel and tyre combination ⇒ page 294

Only for vehicles with sports running gear and rear axle camber of -1°45'

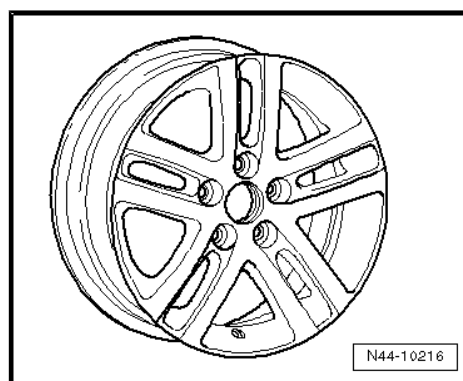
Size:	7 1/2 J x 18
Wheel offset in mm:	51
Wheel load in kg:	630



1K0 601 025 AG - Wheel and tyre combination ⇒ page 294

Only for vehicles with sports running gear and rear axle camber of -1°45'

Size:	7 1/2 J x 18
Wheel offset in mm:	51
Wheel load in kg:	630

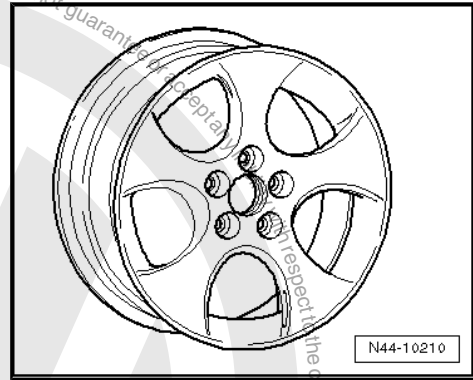




1K0 601 025 AM - Wheel and tyre combination ⇒ page 294

Only for vehicles with sports running gear and rear axle camber of $-1^{\circ}45'$

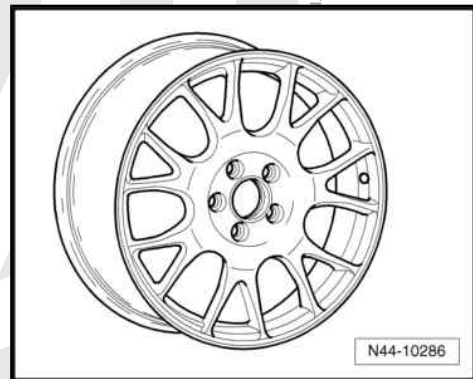
Size:	7 $\frac{1}{2}$ J x 18
Wheel offset in mm:	51
Wheel load in kg:	615



1K0 601 025 AT, 1K0 601 025 CC - Wheel and tyre combination ⇒ page 294

Only for vehicles with sports running gear and rear axle camber of $-1^{\circ}45'$

Size:	7 $\frac{1}{2}$ J x 18
Wheel offset in mm:	51
Wheel load in kg:	615



1K0 601 025 BE - Wheel and tyre combination ⇒ page 294

Only for vehicles with sports running gear and rear axle camber of $-1^{\circ}45'$

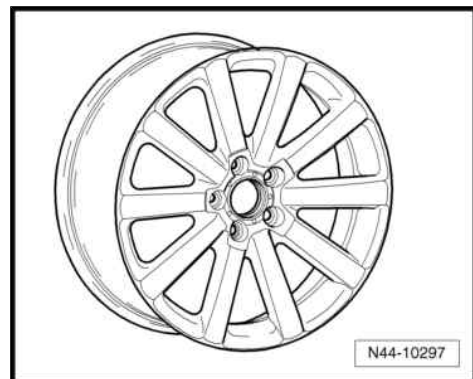
Size:	7 $\frac{1}{2}$ J x 18
Wheel offset in mm:	51
Wheel load in kg:	615



1K0 601 025 BL - Wheel and tyre combination ⇒ page 294

Only for vehicles with sports running gear and rear axle camber of $-1^{\circ}45'$

Size:	7 $\frac{1}{2}$ J x 18
Wheel offset in mm:	51
Wheel load in kg:	615





32 Beetle from model year 2012

General

Volkswagen vehicles are built according to the latest findings in safety engineering. To keep it that way, we recommend the use of only genuine Volkswagen spare parts. You can recognise this by the VW Audi logo and by the part number. It has been established that these parts are reliable, safe and suitable.

Despite constant appraisal of the market, we cannot assess other products on these points, even when in isolated cases they have been passed by official inspectors or have been granted official approval. Therefore, we cannot, of course, assume any liability if these products are installed.



WARNING

The products from Volkswagen genuine parts and Volkswagen genuine accessories may differ in fitting requirements, torque specifications and so on.

Always follow the respective fitting and operating instructions.

The wheel and tyre combinations or changes listed in the vehicle tables refer exclusively to Volkswagen Genuine wheels. Approval of wheel and tyre combinations or a change to wheels from the accessories trade is not possible with the certificate statement attached here.



WARNING

The fitting instructions and torque specifications for wheels from Volkswagen genuine accessories may differ from those intended for wheels from Volkswagen genuine parts.

Therefore, always observe the torque settings for the wheel bolts as well as the respective fitting and operating instructions.

32.1 Beetle, sales type 5C1, from model year 2012



Caution

The Beetle will be listed according to the sales type and not the type approval model code.

The type approval model code and the associated type approval number are listed as follows.

Beetle, type approval code 16

Appendix to certificate statement 8108034929

The certificate statement can be found on the Volkswagen ServiceNet under Accessories/Tyres, Wheels and Tyres, Wheels and Tyres Guide.



Type Approval No.: e1*2007/46*0539*05

Overview

Model engine output	Tyres	Tyre size	Wheel rim	Offset in mm	Snow chains	Remarks
1.2l 77 kW petrol engine	Standard tyres	215/60 R 16 95T	6 ¹ / ₂ J x 16 ⇒ page 313	44	Yes	General information on: ◆ Winter tyres ⇒ page 14 ◆ Snow chains ⇒ page 17
	Modification	215/60 R 16 95H/V	6 ¹ / ₂ J x 16 ⇒ page 313	44	Yes	Tyre makes recommended by Volkswagen: ◆ Summer tyres ⇒ page 477 ◆ All-season tyres ⇒ page 488 ◆ Winter tyres ⇒ page 497
		215/55 R 17 94V/W	7 J x 17 ⇒ page 313	43	No	
		235/45 R 18 94V/W	8 J x 18 ⇒ page 315	48	No	
	Winter tyres	215/60 R 16 95Q/T/H	6 ¹ / ₂ J x 16 ⇒ page 313	44	Yes	
2.0l 147 kW petrol engine	Standard tyres	215/60 R 16 95V	6 ¹ / ₂ J x 16 ⇒ page 313	44	Yes	* 235/40 R 19 92V/W tyres on 8 J x 19 ET 48 rims are only permitted on vehicles with multi-link suspension!
	Modification	215/55 R 17 94V/W	7 J x 17 ⇒ page 313	43	No	
		235/45 R 18 94V/W	8 J x 18 ⇒ page 315	48	No	
		235/40 R 19 92V/W * ⇒ page 312	8 J x 19 ⇒ page 316	48	No	
	Winter tyres	215/60 R 16 95Q/T/H	6 ¹ / ₂ J x 16 ⇒ page 313	44	Yes	

Tyre pressure information is located on the tyre pressure plate on the inside of the tank flap or on the driver side B-pillar.

32.2 Beetle, sales type 5C1, from model year 2012

Beetle, type approval code 16

Explanation of information on wheels ⇒ [page 49](#)



Torque settings for wheel bolts ⇒ Running gear, axles, steering;
 Rep. gr. 44 ; Torque settings for fitting wheels

Pitch circle diameter: 112 mm

Number of wheel bolt holes: 5

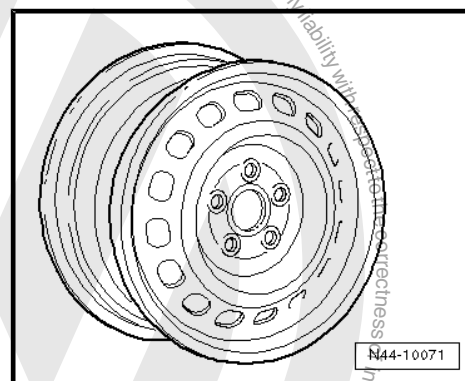
32.2.1 6¹/₂ J x 16

Caution

Observe the allocation of wheels and tyres to the respective engines, which are listed in the overview table ⇒ [page 312](#) .

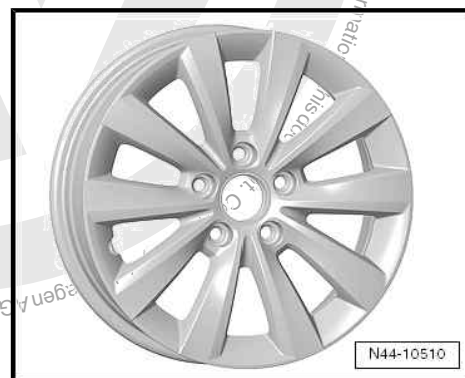
561 601 027 - Wheel and tyre combination ⇒ [page 312](#)

Size:	6 ¹ / ₂ J x 16
Wheel offset in mm:	44
Wheel load in kg:	565



561 601 025, 5C0 601 025 T - Wheel and tyre combination ⇒ [page 312](#)

Size:	6 ¹ / ₂ J x 16
Wheel offset in mm:	44
Wheel load in kg:	565



32.2.2 7 J x 17

Caution

Observe the allocation of wheels and tyres to the respective engines, which are listed in the overview table ⇒ [page 312](#) .



5C0 601 025 F - Wheel and tyre combination ⇒ [page 312](#)

Size:	7 J x 17
Wheel offset in mm:	43
Wheel load in kg:	565

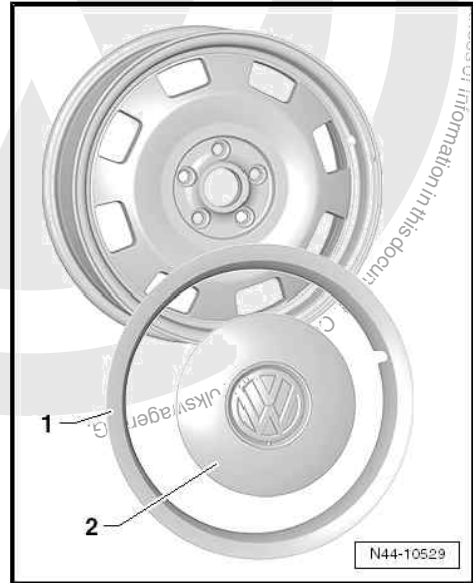


5C0 601 025 G - Wheel and tyre combination ⇒ [page 312](#)

The 5C0 601 025 G rim is used together with the decorative ring for the rim -1- and the decorative hub cover -2-.

- 1 - Decorative ring for rim 5C0 601 157 A
- 2 - Decorative hub cover 5C0 601 149 D

Size:	7 J x 17
Wheel offset in mm:	43
Wheel load in kg:	565

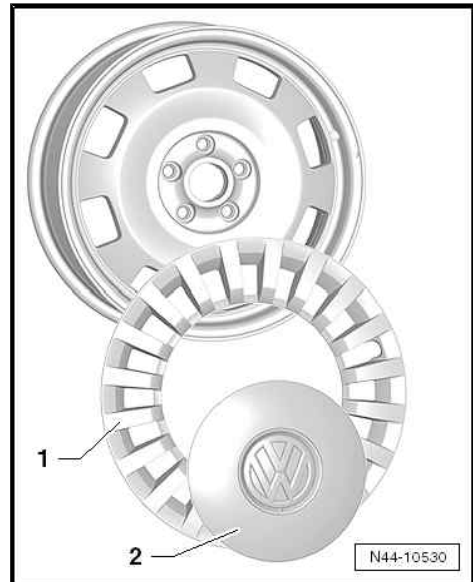


5C0 601 025 M - Wheel and tyre combination ⇒ [page 312](#)

The 5C0 601 025 G rim is used together with the decorative ring for the rim -1- and the decorative hub cover -2-.

- 1 - Decorative ring for rim 5C0 601 157
- 2 - Decorative hub cover 5C0 601 149 D

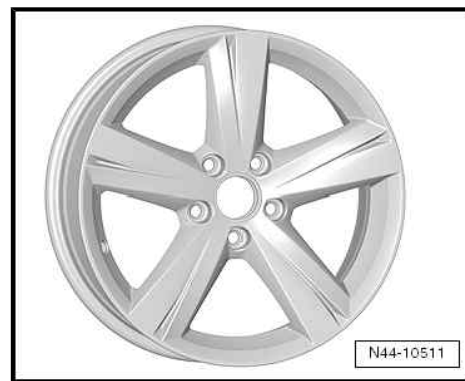
Size:	7 J x 17
Wheel offset in mm:	43
Wheel load in kg:	565





561 601 025 A, 5C0 601 025 AA - Wheel and tyre combination
 ⇒ [page 312](#)

Size:	7 J x 17
Wheel offset in mm:	43
Wheel load in kg:	565



32.2.3 8 J x 18

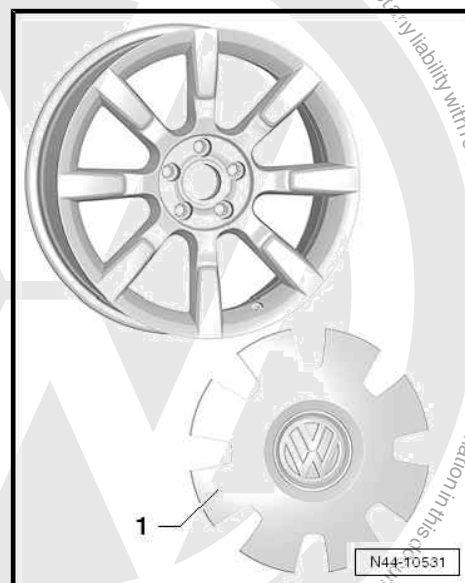
Caution
Observe the allocation of wheels and tyres to the respective engines, which are listed in the overview table ⇒ [page 312](#).

5C0 601 025 H - Wheel and tyre combination ⇒ [page 312](#)

The 5C0 601 025 H rim is used together with the decorative hub cover -1-.

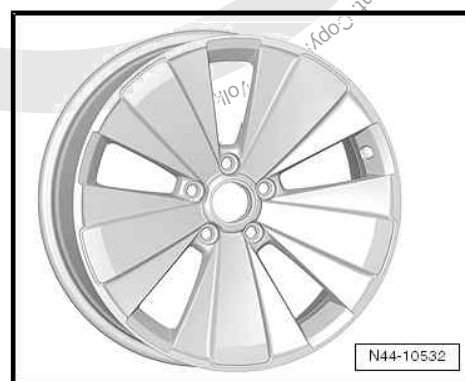
1 - Decorative hub cover 5C0 601 149 D

Size:	8 J x 18
Wheel offset in mm:	48
Wheel load in kg:	565



5C0 601 025 J - Wheel and tyre combination ⇒ [page 312](#)

Size:	8 J x 18
Wheel offset in mm:	48
Wheel load in kg:	580





32.2.4 8 J x 19



Caution

Observe the allocation of wheels and tyres to the respective engines, which are listed in the overview table ⇒ [page 312](#) .

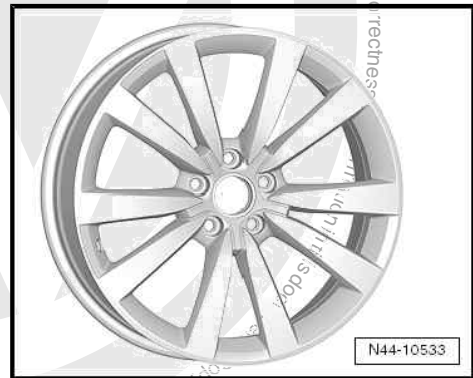


Caution

235/40 R 19 92V/W tyres on 8 J x 19 ET 48 rims are only permitted on vehicles with multi-link suspension!

5C0 601 025 N - Wheel and tyre combination ⇒ [page 312](#)

Size:	8 J x 19
Wheel offset in mm:	48
Wheel load in kg:	580





33 Scirocco from model year 2009

General

Volkswagen vehicles are built according to the latest findings in safety engineering. To keep it that way, we recommend the use of only genuine Volkswagen spare parts. You can recognise this by the VW Audi logo and by the part number. It has been established that these parts are reliable, safe and suitable.

Despite constant appraisal of the market, we cannot assess other products on these points, even when in isolated cases they have been passed by official inspectors or have been granted official approval. Therefore, we cannot, of course, assume any liability if these products are installed.



WARNING

The products from Volkswagen genuine parts and Volkswagen accessories may differ in fitting requirements, torque specifications and so on.

Always follow the respective fitting and operating instructions.

The wheel and tyre combinations or changes listed in the vehicle tables refer exclusively to Volkswagen Genuine wheels. Approval of wheel and tyre combinations or a change to wheels from the accessories trade is not possible with the certificate statement attached here.



WARNING

The fitting instructions and torque specifications for wheels from Volkswagen accessories may differ from those intended for wheels from Volkswagen genuine parts.

Therefore, always observe the torque settings for the wheel bolts as well as the respective fitting and operating instructions.

33.1 Scirocco, sales type 137, model year 2009 to model year 2011



Caution

The Scirocco will be listed according to the sales types and not by the type approval model codes.

The type approval model code and the associated type approval number are listed as follows.

Scirocco, type approval code 13

Appendix to certificate statement 8107901259

The certificate statement can be found on the Volkswagen ServiceNet under Accessories/Tyres, Wheels and Tyres, Wheels and Tyres Guide.



Type approval number: e1*2001/116*0471*00 to
e1*2001/116*0471*08

Overview

Model engine output	Tyres	Tyre size	Wheel rim	Off-set in mm	Snow chains	Remarks	
1.4l 90 kW petrol engine 2.0l 100 kW TDI 2.0l 103 kW TDI diesel engine	Standard tyres	205/50 R 17 89H	7 J x 17 ⇒ page 323	33	No	General information on: ◆ Winter tyres ⇒ page 14 ◆ Snow chains ⇒ page 17	
	Modification	225/45 R 17 91H	7 J x 17 ⇒ page 323	33	No	Tyre makes recommended by Volkswagen. ◆ Summer tyres ⇒ page 477 ◆ Winter tyres ⇒ page 497	
		225/45 R 17 91H	8 J x 17 ⇒ page 323	41	No		
		235/45 R 17 93H	8 J x 17 ⇒ page 323	41	No		
		235/40 R 18 91H	8 J x 18 ⇒ page 325	41	No		Wheel housing extensions (FLAPS) ⇒ page 4 have to be fitted on the rear axle ⇒ Electronic replacement parts catalogue „ETKA“ .
		235/35 R 19 91Y* ⇒ page 318	8 J x 19 ⇒ page 326	41	No		* 235/35 R 19 91Y tyres on 8 J x 19 rims with an offset of 41 are permitted only on vehicles with sports running gear or adaptive chassis control (DCC)!
	Winter tyres	205/55 R 16 91T/H/V	6 ¹ / ₂ J x 16 ⇒ page 322	42	Yes		
205/50 R 17 89T/H/V		6 ¹ / ₂ J x 17 ⇒ page 322	39	Yes			
1.4 l 118 kW; petrol engine 2.0l 125 kW TDI diesel engine	Standard tyres	205/50 R 17 89V	7 J x 17 ⇒ page 323	33	No	* From model year 2010	
		205/50 R 17 93V* ⇒ page 318	7 J x 17 ⇒ page 323	33	No		
	Modification	225/45 R 17 91V	7 J x 17 ⇒ page 323	33	No		
		225/45 R 17 91V	8 J x 17 ⇒ page 323	41	No		
		235/45 R 17 93V	8 J x 17 ⇒ page 323	41	No		



Model engine output	Tyres	Tyre size	Wheel rim	Off-set in mm	Snow chains	Remarks
		235/40 R 18 91V	8 J x 18 ⇒ page 325	41	No	** 235/35 R 19 91Y and 8 J x 19 offset 41 wheel and tyre combination is permitted only on vehicles with sports running gear or adaptive chassis control (DCC)!
		235/35 R 19 91Y** ⇒ page 319	8 J x 19 ⇒ page 326	41	No	
	Winter tyres	205/55 R 16 91T/H/V	6 1/2 J x 16 ⇒ page 322	42	Yes	
		205/50 R 17 89T/H/V	6 1/2 J x 17 ⇒ page 322	39	Yes	
2.0l 147 kW; 2.0l 155 kW; petrol engine	Standard tyres	225/45 R 17 91W	7 J x 17 ⇒ page 323	33	No	* 235/35 R 19 91Y tyres on 8 J x 19 rims with an offset of 41 are permitted only on vehicles with sports running gear or adaptive chassis control (DCC)!
	Modification	225/45 R 17 91W	8 J x 17 ⇒ page 323	41	No	
		235/45 R 17 93W	8 J x 17 ⇒ page 323	41	No	
		235/40 R 18 91W	8 J x 18 ⇒ page 325	41	No	
		235/35 R 19 91Y* ⇒ page 319	8 J x 19 ⇒ page 326	41	No	
	Winter tyres	205/55 R 16 91T/H/V	6 1/2 J x 16 ⇒ page 322	42	Yes	
		205/50 R 17 89T/H/V	6 1/2 J x 17 ⇒ page 322	39	Yes	

Tyre pressures are printed on the tyre inflation pressure label, which can be found on the inside of the tank flap and on the driver's B-pillar.



33.2 Scirocco, sales type 137 model year 2012



Caution

The Scirocco will be listed according to the sales types and not by the type approval model codes.

The type approval model code and the associated type approval number are listed as follows.

Scirocco, type approval code 13

Appendix to certificate statement 8107901259

The certificate statement can be found on the Volkswagen ServiceNet under Accessories/Tyres, Wheels and Tyres, Wheels and Tyres Guide.

Type approval number: e1*2001/116*0471*09

Overview

Model engine output	Tyres	Tyre size	Wheel rim	Off-set in mm	Snow chains	Remarks
1.4l 90 kW petrol engine 2.0l 100 kW TDI 2.0l 103 kW TDI diesel engine	Standard tyres	205/50 R 17 89H	7 J x 17 ⇒ page 323	33	No	General information on: ◆ Winter tyres ⇒ page 14 ◆ Snow chains ⇒ page 17
	Modification	225/45 R 17 91H	7 J x 17 ⇒ page 323	33	No	Tyre makes recommended by Volkswagen: ◆ Summer tyres ⇒ page 477 ◆ Winter tyres ⇒ page 497
		225/45 R 17 91H	8 J x 17 ⇒ page 323	41	No	
		235/45 R 17 94H	8 J x 17 ⇒ page 323	41	No	
		235/40 R 18 91H	8 J x 18 ⇒ page 325	41	No	Wheel housing extensions (FLAPS) ⇒ page 4 have to be fitted on the rear axle ⇒ Electronic replacement parts catalogue „ETKA“ .
		235/35 R 19 91Y* ⇒ page 320	8 J x 19 ⇒ page 326	41	No	* 235/35 R 19 91Y tyres on 8 J x 19 rims with an offset of 41 are permitted only on vehicles with sports running gear or adaptive chassis control (DCC)!
	Winter tyres	205/55 R 16 91H/V	6 ¹ / ₂ J x 16 ⇒ page 322	42	Yes	
		205/50 R 17 89H/V	6 ¹ / ₂ J x 17 ⇒ page 322	39	Yes	



Model engine output	Tyres	Tyre size	Wheel rim	Off-set in mm	Snow chains	Remarks
1.4 I 118 kW; petrol engine 2.0I 125 kW TDI diesel engine	Standard tyres	205/50 R 17 93V	7 J x 17 ⇒ page 323	33	No	
	Modification	225/45 R 17 91V	7 J x 17 ⇒ page 323	33	No	
		225/45 R 17 91V	8 J x 17 ⇒ page 323	41	No	
		235/45 R 17 94V	8 J x 17 ⇒ page 323	41	No	
		235/40 R 18 91V	8 J x 18 ⇒ page 325	41	No	
		235/35 R 19 91Y* ⇒ page 321	8 J x 19 ⇒ page 326	41	No	
	Winter tyres	205/55 R 16 91H/V	6½ J x 16 ⇒ page 322	42	Yes	
		205/50 R 17 93H/V	6½ J x 17 ⇒ page 322	39	Yes	
2.0I 155 kW; petrol engine	Standard tyres	225/45 R 17 91W	7 J x 17 ⇒ page 323	33	No	
	Modification	225/45 R 17 91W	8 J x 17 ⇒ page 323	41	No	
		235/45 R 17 94W	8 J x 17 ⇒ page 323	41	No	
		235/40 R 18 91W	8 J x 18 ⇒ page 325	41	No	
		235/35 R 19 91Y* ⇒ page 321	8 J x 19 ⇒ page 326	41	No	
	Winter tyres	205/55 R 16 91H/V	6½ J x 16 ⇒ page 322	42	Yes	
		205/50 R 17 93H/V	6½ J x 17 ⇒ page 322	39	Yes	



Model engine output	Tyres	Tyre size	Wheel rim	Off-set in mm	Snow chains	Remarks
		205/50 R 17 93H	7 J x 17 ⇒ page 323	33	No	

Tyre pressures are printed on the tyre inflation pressure label, which can be found on the inside of the tank flap and on the driver's B-pillar.

33.3 Wheel allocation for Scirocco, sales type 137 model year 2009 to model year 2012

Scirocco, type approval code 13

Explanation of information on wheels ⇒ page 49

Torque settings for wheel bolts ⇒ Running gear, axles, steering;
Rep. gr. 44 ; Torque settings for fitting wheels

Pitch circle diameter: 112 mm

Number of wheel bolt holes: 5

33.3.1 6¹/₂ J x 16

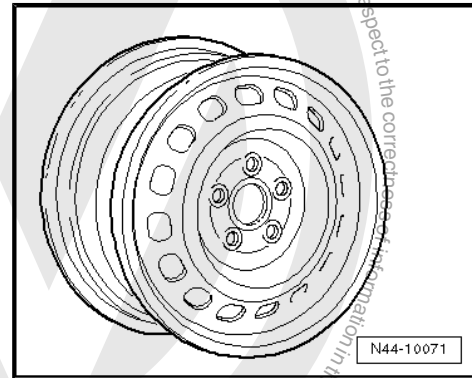


Caution

Observe the allocation of wheels and tyres to the respective engines, which are listed in the overview table ⇒ page 318 .

3C0 601 027 H, 3C0 601 027 AA - Wheel and tyre combination
⇒ page 318

Size:	6 ¹ / ₂ J x 16
Wheel offset in mm:	42
Wheel load in kg:	650



33.3.2 6¹/₂ J x 17



Caution

Observe the allocation of wheels and tyres to the respective engines, which are listed in the overview table ⇒ page 318 .




Winter wheel

3C8 601 025 F - Wheel and tyre combination ⇒ [page 318](#)

Size:	6 ¹ / ₂ J x 17
Wheel offset in mm:	39
Wheel load in kg:	625



33.3.3 7 J x 17


 **Caution**
Observe the allocation of wheels and tyres to the respective engines, which are listed in the overview table ⇒ [page 318](#).

1K8 601 025 - Wheel and tyre combination ⇒ [page 318](#)

Size:	7 J x 17
Wheel offset in mm:	33
Wheel load in kg:	615



33.3.4 8 J x 17

 **Caution**
Observe the allocation of wheels and tyres to the respective engines, which are listed in the overview table ⇒ [page 318](#).

1K8 601 025 B - Wheel and tyre combination ⇒ [page 318](#)

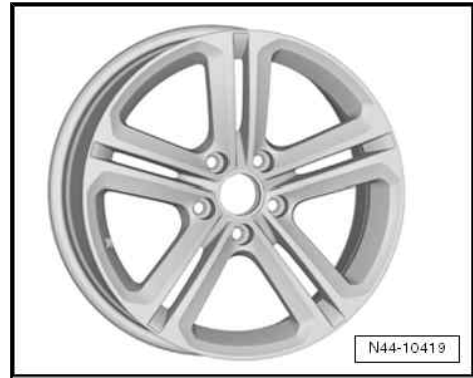
Size:	8 J x 17
Wheel offset in mm:	41
Wheel load in kg:	615





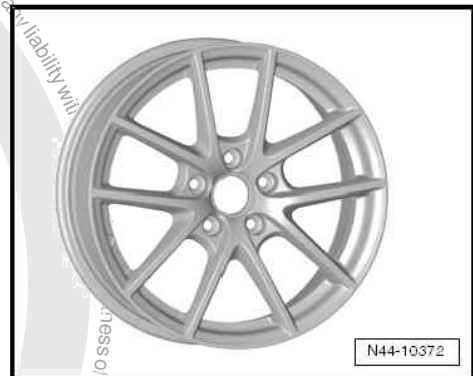
1K8 601 025 D - Wheel and tyre combination ⇒ page 318

Size:	8 J x 17
Wheel offset in mm:	41
Wheel load in kg:	650



3C8 601 025 - Wheel and tyre combination ⇒ page 318

Size:	8 J x 17
Wheel offset in mm:	41
Wheel load in kg:	625



3C8 601 025 A - Wheel and tyre combination ⇒ page 318

Size:	8 J x 17
Wheel offset in mm:	41
Wheel load in kg:	625



3C8 601 025 K - Wheel and tyre combination ⇒ page 318

Size:	8 J x 17
Wheel offset in mm:	41
Wheel load in kg:	625





3C8 601 025 Q - Wheel and tyre combination ⇒ page 318

Size:	8 J x 17
Wheel offset in mm:	41
Wheel load in kg:	625



33.3.5 8 J x 18



Caution

Observe the allocation of wheels and tyres to the respective engines, which are listed in the overview table ⇒ page 318 .

1K8 601 025 E - Wheel and tyre combination ⇒ page 318

Size:	8 J x 18
Wheel offset in mm:	41
Wheel load in kg:	650



1K8 601 025 F - Wheel and tyre combination ⇒ page 318

Size:	8 J x 18
Wheel offset in mm:	41
Wheel load in kg:	650



3C8 601 025 D - Wheel and tyre combination ⇒ page 318

Size:	8 J x 18
Wheel offset in mm:	41
Wheel load in kg:	625





3C8 601 025 E - Wheel and tyre combination ⇒ page 318

Size:	8 J x 18
Wheel offset in mm:	41
Wheel load in kg:	625



3C8 601 025 G - Wheel and tyre combination ⇒ page 318

Size:	8 J x 18
Wheel offset in mm:	41
Wheel load in kg:	650



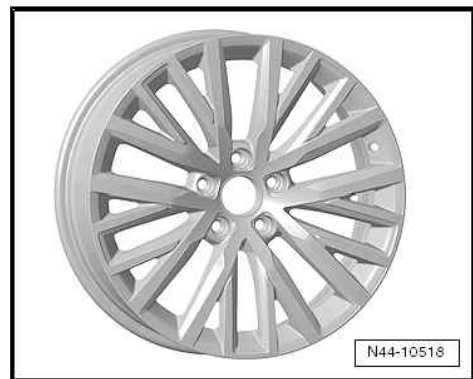
3C8 601 025 P - Wheel and tyre combination ⇒ page 318

Size:	8 J x 18
Wheel offset in mm:	41
Wheel load in kg:	625



3C8 601 025 R - Wheel and tyre combination ⇒ page 318

Size:	8 J x 18
Wheel offset in mm:	41
Wheel load in kg:	625



33.3.6 8 J x 19



Caution

Observe the allocation of wheels and tyres to the respective engines, which are listed in the overview table ⇒ page 318.



WARNING

235/35 R 19 91Y tyres on 8 J x 19 rims with an offset of 41 are permitted only on vehicles with sports running gear or adaptive chassis control (DCC)!

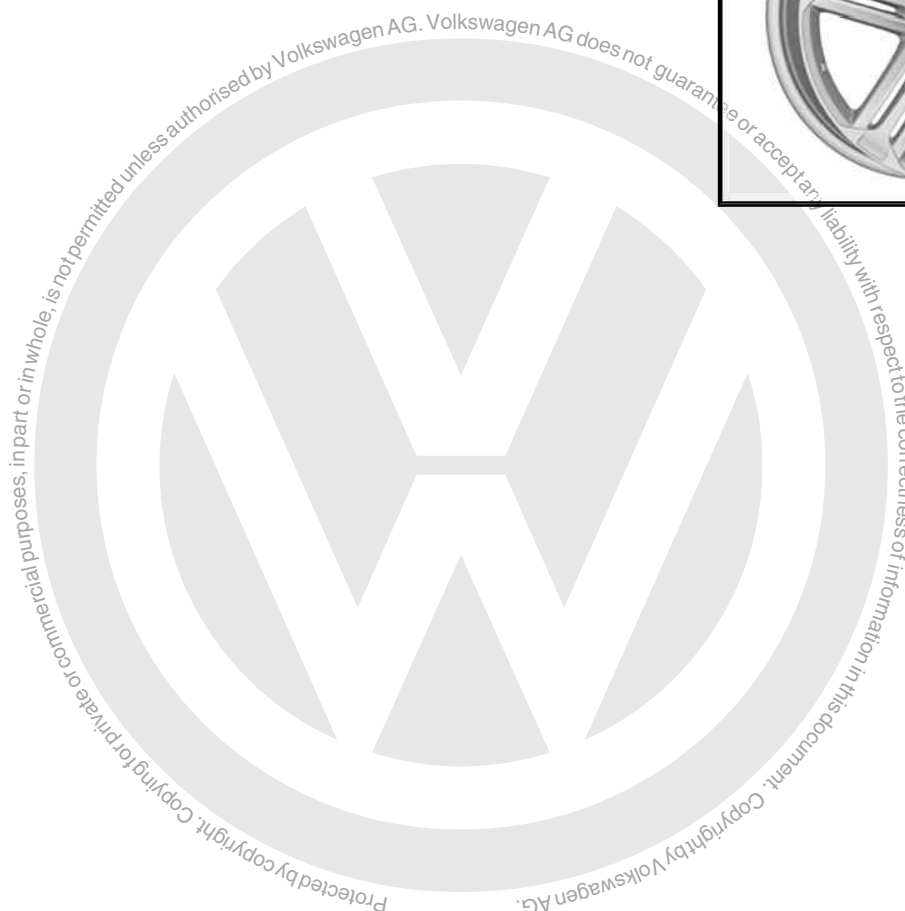
1K8 601 025 C - Wheel and tyre combination ⇒ page 318

Size:	8 J x 19
Wheel offset in mm:	41
Wheel load in kg:	650



1K8 601 025 G - Wheel and tyre combination ⇒ page 318

Size:	8 J x 19
Wheel offset in mm:	41
Wheel load in kg:	650





34 Scirocco R from model year 2010

General

Volkswagen vehicles are built according to the latest findings in safety engineering. To keep it that way, we recommend the use of only genuine Volkswagen spare parts. You can recognise this by the VW Audi logo and by the part number. It has been established that these parts are reliable, safe and suitable.

Despite constant appraisal of the market, we cannot assess other products on these points, even when in isolated cases they have been passed by official inspectors or have been granted official approval. Therefore, we cannot, of course, assume any liability if these products are installed.



WARNING

The products from Volkswagen genuine parts and Volkswagen accessories may differ in fitting requirements, torque specifications and so on.

Always follow the respective fitting and operating instructions.

The wheel and tyre combinations or changes listed in the vehicle tables refer exclusively to Volkswagen Genuine wheels. Approval of wheel and tyre combinations or a change to wheels from the accessories trade is not possible with the certificate statement attached here.



WARNING

The fitting instructions and torque specifications for wheels from Volkswagen accessories may differ from those intended for wheels from Volkswagen genuine parts.

Therefore, always observe the torque settings for the wheel bolts as well as the respective fitting and operating instructions.

34.1 Scirocco R, sales type 137, model year 2010 to model year 2011



Caution

The Scirocco R will be listed according to the sales types and not by the type approval model codes.

The type approval model code and the associated type approval number are listed as follows.

Scirocco R, type approval code 13

Appendix to certificate statement 8107901259

The certificate statement can be found on the Volkswagen ServiceNet under Accessories/Tyres, Wheels and Tyres, Wheels and Tyres Guide.




Type approval number: e1*2001/116*0471*05 to e1*2001/116*0471*08

Overview

Model engine output	Tyres	Tyre size	Wheel rim	Off-set in mm	Snow chains	Remarks
2.0l 188 kW; 2.0l 195 kW; petrol engine	Standard tyres	235/40 R 18 91W	8 J x 18 ⇒ page 333	41	No	General information on: ◆ Winter tyres ⇒ page 14 ◆ Snow chains ⇒ page 17
	Modification	225/45 R 17 91W	7 J x 17 ⇒ page 331	33	No	Tyre makes recommended by Volkswagen: ◆ Summer tyres ⇒ page 477 ◆ Winter tyres ⇒ page 497
		225/45 R 17 91W	8 J x 17 ⇒ page 331	41	No	
		235/45 R 17 93W	8 J x 17 ⇒ page 331	41	No	
		235/35 R 19 91Y* ⇒ page 329	8 J x 19 ⇒ page 335	41	No	
	Winter tyres	205/50 R 17 89T/H/V	6 1/2 J x 17 ⇒ page 331	39	Yes	Wheel housing extensions (FLAPS) ⇒ page 4 have to be fitted on the rear axle ⇒ Electronic replacement parts catalogue „ETKA“ . * 235/35 R 19 91Y tyres on 8 J x 19 rims with an offset of 41 are permitted only on vehicles with sports running gear or adaptive chassis control (DCC)!

Tyre pressures are printed on the tyre inflation pressure label, which can be found on the inside of the tank flap and on the driver's B-pillar.

34.2 Scirocco R, sales type 137 model year 2012



Caution

The Scirocco R will be listed according to the sales types and not by the type approval model codes.

The type approval model code and the associated type approval number are listed as follows.

Scirocco R, type approval code 13

Appendix to certificate statement 8107901259

The certificate statement can be found on the Volkswagen ServiceNet under Accessories/Tyres, Wheels and Tyres, Wheels and Tyres Guide.



Type approval number: e1*2001/116*0471*09

Overview

Model engine output	Tyres	Tyre size	Wheel rim	Off-set in mm	Snow chains	Remarks
2.0l 188 kW; 2.0l 195 kW; petrol engine	Standard tyres	235/40 R 18 91W	8 J x 18 ⇒ page 333	41	No	General information on: ◆ Winter tyres ⇒ page 14 ◆ Snow chains ⇒ page 17
	Modification	225/45 R 17 91W	7 J x 17 ⇒ page 331	33	No	Tyre makes recommended by Volkswagen:
		225/45 R 17 91W	8 J x 17 ⇒ page 331	41	No	◆ Summer tyres ⇒ page 477 ◆ Winter tyres ⇒ page 497
		235/45 R 17 94W	8 J x 17 ⇒ page 331	41	No	Wheel housing extensions (FLAPS) ⇒ page 4 have to be fitted on the rear axle ⇒ Electronic replacement parts catalogue „ETKA“ .
		235/35 R 19 91Y* ⇒ page 330	8 J x 19 ⇒ page 335	41	No	* 235/35 R 19 91Y tyres on 8 J x 19 rims with an offset of 41 are permitted only on vehicles with sports running gear or adaptive chassis control (DCC)!
	Winter tyres	205/50 R 17 93H/V/W	6 ¹ / ₂ J x 17 ⇒ page 331	39	Yes	
	205/50 R 17 93H/V/W	7 J x 17 ⇒ page 331	33	No		

Tyre pressures are printed on the tyre inflation pressure label, which can be found on the inside of the tank flap and on the driver's B-pillar.

34.3 Wheel allocation for Scirocco R, sales type 137, model year 2010 to model year 2012

Scirocco, type approval code 13

Explanation of information on wheels ⇒ [page 49](#)


Torque settings for wheel bolts ⇒ Running gear, axles, steering;
Rep. gr. 44 ; Torque settings for fitting wheels

Pitch circle diameter: 112 mm

Number of wheel bolt holes: 5



34.3.1 6¹/₂ J x 17

 **Caution**
Observe the allocation of wheels and tyres to the respective engines, which are listed in the overview table ⇒ [page 329](#) .


Winter wheel

3C8 601 025 F - Wheel and tyre combination ⇒ [page 329](#)

Size:	6 ¹ / ₂ J x 17
Wheel offset in mm:	39
Wheel load in kg:	625



34.3.2 7 J x 17


 **Caution**
Observe the allocation of wheels and tyres to the respective engines, which are listed in the overview table ⇒ [page 329](#) .

1K8 601 025 - Wheel and tyre combination ⇒ [page 329](#)

Size:	7 J x 17
Wheel offset in mm:	33
Wheel load in kg:	615



34.3.3 8 J x 17

 **Caution**
Observe the allocation of wheels and tyres to the respective engines, which are listed in the overview table ⇒ [page 329](#) .



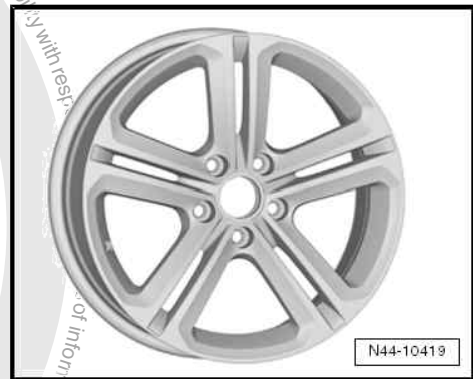
1K8 601 025 B - Wheel and tyre combination ⇒ page 329

Size:	8 J x 17
Wheel offset in mm:	41
Wheel load in kg:	615



1K8 601 025 D - Wheel and tyre combination ⇒ page 329

Size:	8 J x 17
Wheel offset in mm:	41
Wheel load in kg:	650



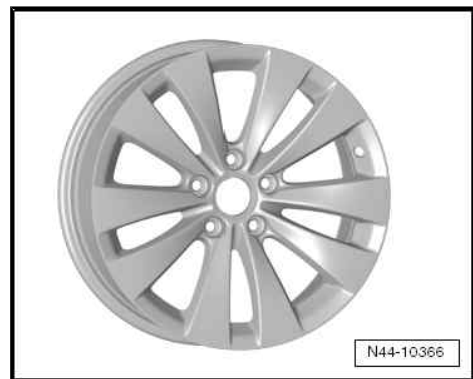
3C8 601 025 - Wheel and tyre combination ⇒ page 329

Size:	8 J x 17
Wheel offset in mm:	41
Wheel load in kg:	625



3C8 601 025 A - Wheel and tyre combination ⇒ page 329

Size:	8 J x 17
Wheel offset in mm:	41
Wheel load in kg:	625





3C8 601 025 K - Wheel and tyre combination ⇒ page 329

Size:	8 J x 17
Wheel offset in mm:	41
Wheel load in kg:	625



3C8 601 025 Q - Wheel and tyre combination ⇒ page 329

Size:	8 J x 17
Wheel offset in mm:	41
Wheel load in kg:	625

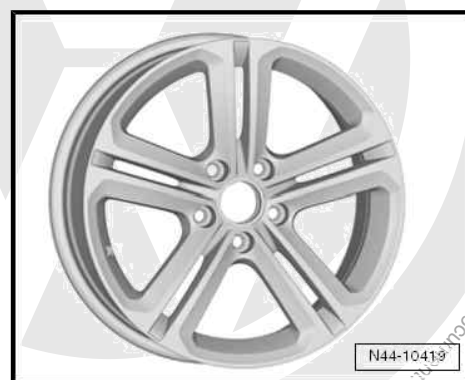


34.3.4 8 J x 18

⚠ Caution
Observe the allocation of wheels and tyres to the respective engines, which are listed in the overview table ⇒ page 329 .

1K8 601 025 E - Wheel and tyre combination ⇒ page 329

Size:	8 J x 18
Wheel offset in mm:	41
Wheel load in kg:	650



1K8 601 025 F - Wheel and tyre combination ⇒ page 329

Size:	8 J x 18
Wheel offset in mm:	41
Wheel load in kg:	650





3C8 601 025 D - Wheel and tyre combination ⇒ page 329

Size:	8 J x 18
Wheel offset in mm:	41
Wheel load in kg:	625



3C8 601 025 E - Wheel and tyre combination ⇒ page 329

Size:	8 J x 18
Wheel offset in mm:	41
Wheel load in kg:	625



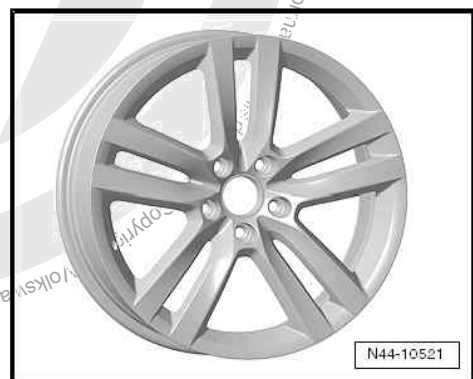
3C8 601 025 G - Wheel and tyre combination ⇒ page 329

Size:	8 J x 18
Wheel offset in mm:	41
Wheel load in kg:	650



3C8 601 025 P - Wheel and tyre combination ⇒ page 329

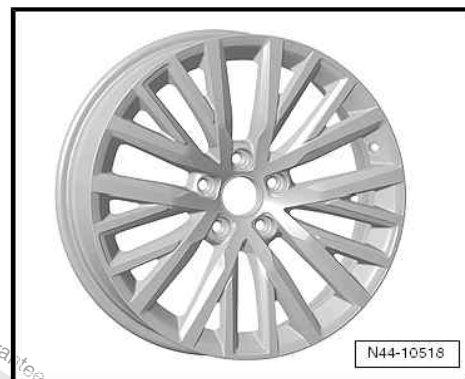
Size:	8 J x 18
Wheel offset in mm:	41
Wheel load in kg:	625





3C8 601 025 R - Wheel and tyre combination ⇒ page 329

Size:	8 J x 18
Wheel offset in mm:	41
Wheel load in kg:	625



34.3.5 8 J x 19

⚠ Caution
Observe the allocation of wheels and tyres to the respective engines, which are listed in the overview table ⇒ page 318 .

⚠ WARNING
235/35 R 19 91Y tyres on 8 J x 19 rims with an offset of 41 are permitted only on vehicles with sports running gear or adaptive chassis control (DCC)!

1K8 601 025 C - Wheel and tyre combination ⇒ page 329

Size:	8 J x 19
Wheel offset in mm:	41
Wheel load in kg:	650



1K8 601 025 G - Wheel and tyre combination ⇒ page 329

Size:	8 J x 19
Wheel offset in mm:	41
Wheel load in kg:	650





35 Touran from model year 2003

General

Volkswagen vehicles are built according to the latest findings in safety engineering. To keep it that way, we recommend the use of only genuine Volkswagen spare parts. You can recognise this by the VW Audi logo and by the part number. It has been established that these parts are reliable, safe and suitable.

Despite constant appraisal of the market, we cannot assess other products on these points, even when in isolated cases they have been passed by official inspectors or have been granted official approval. Therefore, we cannot, of course, assume any liability if these products are installed.



WARNING

The products from Volkswagen genuine parts and Volkswagen accessories may differ in fitting requirements, torque specifications and so on.

Always follow the respective fitting and operating instructions.

The wheel and tyre combinations or changes listed in the vehicle tables refer exclusively to Volkswagen Genuine wheels. Approval of wheel and tyre combinations or a change to wheels from the accessories trade is not possible with the certificate statement attached here.



WARNING

The fitting instructions and torque specifications for wheels from Volkswagen accessories may differ from those intended for wheels from Volkswagen genuine parts.

Therefore, always observe the torque settings for the wheel bolts as well as the respective fitting and operating instructions.

35.1 Touran, type 1T model year 2003 to model year 2006

Appendix to certificate statement 8107901330

The certificate statement can be found on the Volkswagen ServiceNet under Accessories/Tyres, Wheels and Tyres, Wheels and Tyres Guide.

Type Approval No.: e1*2001/116*0211*00 to e1*2001/116*0211*11

Overview

Model engine output	Tyres	Tyre size	Wheel rim	Offset in mm	Snow chains	Remarks
1.6l 75 kW petrol engine	Standard tyres	195/65 R 15 91H	6 J x 15 ⇒ page 349	47	Yes	
1.9l 66 kW TDI; 1.9l 74 kW TDI; diesel engine	Modification	195/65 R 15 91T	6 J x 15 ⇒ page 349	47	Yes	General information on: ◆ Winter tyres ⇒ page 14 ◆ Snow chains ⇒ page 17



Model engine output	Tyres	Tyre size	Wheel rim	Off-set in mm	Snow chains	Remarks
1.9l 77 kW TDI diesel engine with manual gearbox		195/65 R 15 91T/H/V	6 ¹ / ₂ J x 15 ⇒ page 350	50	Yes	Tyre makes recommended by Volkswagen: ◆ Summer tyres ⇒ page 478 ◆ All-season tyres ⇒ page 488 ◆ Winter tyres ⇒ page 498
		195/65 R 15 91V	6 J x 15 ⇒ page 349	47	Yes	
		205/60 R 15 91T/H/V	6 ¹ / ₂ J x 15 ⇒ page 350	50	Yes	
		205/55 R 16 91H/V/W	6 J x 16 ⇒ page 351	50	Yes	
		205/55 R 16 91H/V/W	6 ¹ / ₂ J x 16 ⇒ page 351	50	No	
		225/45 R 17 91H/V/W * ⇒ page 337	7 J x 17 ⇒ page 357	47	No	
	Winter tyres	195/65 R 15 91T/H	6 J x 15 ⇒ page 349	47	Yes	
		205/55 R 16 91T/H	6 J x 16 ⇒ page 351	50	Yes	
	1.6l 85 kW petrol engine; 2.0 80 kW Eco-Fuel (natural gas CNG)	Standard tyres	195/65 R 15 91H	6 J x 15 ⇒ page 349	47	Yes
Modification		195/65 R 15 91V	6 J x 15 ⇒ page 349	47	Yes	
		195/65 R 15 91H/V	6 ¹ / ₂ J x 15 ⇒ page 350	50	Yes	
		205/60 R 15 91H/V	6 ¹ / ₂ J x 15 ⇒ page 350	50	Yes	
		205/55 R 16 91H/V/W	6 J x 16 ⇒ page 351	50	Yes	
		205/55 R 16 91H/V/W	6 ¹ / ₂ J x 16 ⇒ page 351	50	No	
2.0l 100 kW TDI diesel engine with manual gearbox; 2.0l 103 kW TDI diesel engine with manual gearbox						



Model engine output	Tyres	Tyre size	Wheel rim	Off-set in mm	Snow chains	Remarks		
		225/45 R 17 91H/V/W * ⇒ page 337	7 J x 17 ⇒ page 357	47	No			
	Winter tyres	195/65 R 15 91T/H	6 J x 15 ⇒ page 349	47	Yes			
		205/55 R 16 91T/H	6 J x 16 ⇒ page 351	50	Yes			
1.9l 77 kW TDI diesel engine with dual clutch gearbox 2.0l 100 kW TDI diesel engine with dual clutch gearbox 2.0l 103 kW TDI diesel engine with dual clutch gearbox	Standard tyres	195/65 R 15 95H	6 J x 15 ⇒ page 349	47	Yes			
	Modification	195/65 R 15 95H/V	6 ¹ / ₂ J x 15 ⇒ page 350	50	Yes			
		205/60 R 15 95H/V	6 ¹ / ₂ J x 15 ⇒ page 350	50	Yes			
		205/55 R 16 94V	6 J x 16 ⇒ page 351	50	Yes			
		205/55 R 16 94V	6 ¹ / ₂ J x 16 ⇒ page 351	50	No			
		225/45 R 17 94H/V/W * ⇒ page 337	7 J x 17 ⇒ page 357	47	No			
	Winter tyres	195/65 R 15 95T/H	6 J x 15 ⇒ page 349	47	Yes			
		205/55 R 16 94T/H	6 J x 16 ⇒ page 351	50	Yes			
	1.4l 103 kW; 2.0l 110 kW petrol engine	Standard tyres	195/65 R 15 91V	6 J x 15 ⇒ page 349	47		Yes	
		Modification	195/65 R 15 91V	6 ¹ / ₂ J x 15 ⇒ page 350	50		Yes	
205/60 R 15 91V			6 ¹ / ₂ J x 15 ⇒ page 350	50	Yes			
205/55 R 16 91V/W			6 J x 16 ⇒ page 351	50	Yes			
205/55 R 16 91V/W			6 ¹ / ₂ J x 16 ⇒ page 351	50	No			
225/45 R 17 91V/W ** ⇒ page 339			7 J x 17 ⇒ page 357	47	No			
Winter tyres		195/65 R 15 91T/H	6 J x 15 ⇒ page 349	47	Yes			



Model engine output	Tyres	Tyre size	Wheel rim	Off-set in mm	Snow chains	Remarks
		205/55 R 16 91T/H	6 J x 16 ⇒ page 351	50	Yes	
2.0l 125 kW TDI diesel engine with manual gearbox	Standard tyres	205/55 R 16 91V	6 J x 16 ⇒ page 351	50	Yes	** 225/45 R 17 91V/W tyres on 7 J x 17 rims with an offset of 47 are permitted only on vehicles with sports running gear and wheel housing extensions (FLAPS).
	Modification	205/55 R 16 91V/W	6 ¹ / ₂ J x 16 ⇒ page 351	50	No	
		225/45 R 17 91V/W ** ⇒ page 339	7 J x 17 ⇒ page 357	47	No	
	Winter tyres	205/55 R 16 91T/H	6 J x 16 ⇒ page 351	50	Yes	
2.0l 125 kW TDI diesel engine with dual clutch gearbox	Standard tyres	205/55 R 16 94V	6 J x 16 ⇒ page 351	50	Yes	
	Modification	205/55 R 16 94V/W	6 ¹ / ₂ J x 16 ⇒ page 351	50	No	
		225/45 R 17 94V/W ** ⇒ page 339	7 J x 17 ⇒ page 357	47	No	
	Winter tyres	205/55 R 16 94T/H	6 J x 16 ⇒ page 351	50	Yes	

Tyre pressures are printed on the tyre inflation pressure label, which can be found on the inside of the tank flap and on the driver's B-pillar.

35.2 Touran, type 1T model year 2007 to model year 2010

Appendix to certificate statement 8107901330

The certificate statement can be found on the Volkswagen ServiceNet under Accessories/Tyres, Wheels and Tyres, Wheels and Tyres Guide.

Type Approval No.: e1*2001/116*0211*12 to e1*2001/116*0211*22

Overview

Model engine output	Tyres	Tyre size	Wheel rim	Off-set in mm	Snow chains	Remarks
2.0 80 kW Eco-Fuel (natural gas CNG)	Standard tyres	195/65 R 15 91H	6 J x 15 ⇒ page 349	47	Yes	



Model engine output	Tyres	Tyre size	Wheel rim	Off-set in mm	Snow chains	Remarks
1.9l 66 kW TDI diesel engine	Modification	195/65 R 15 91T	6 J x 15 ⇒ page 349	47	Yes	General information on: ♦ Winter tyres ⇒ page 14 ♦ Snow chains ⇒ page 17 Tyre makes recommended by Volkswagen: ♦ Summer tyres ⇒ page 478 ♦ All-season tyres ⇒ page 488 ♦ Winter tyres ⇒ page 498 * 225/45 R 17 91H/V/W tyres on 7 J x 17 rims with an offset of 47 are permitted only on vehicles with sports running gear and wheel housing extensions (FLAPS).
		195/65 R 15 91T/H/V	6 ¹ / ₂ J x 15 ⇒ page 350	50	Yes	
		195/65 R 15 91V	6 J x 15 ⇒ page 349	47	Yes	
		205/60 R 15 91T/H/V	6 ¹ / ₂ J x 15 ⇒ page 350	50	Yes	
		205/55 R 16 91T/H/V/W	6 J x 16 ⇒ page 351	50	Yes	
		205/55 R 16 91T/H/V/W	6 ¹ / ₂ J x 16 ⇒ page 351	50	No	
		225/45 R 17 91T/H/V/W *	7 J x 17 ⇒ page 357	47	No	
		195/65 R 15 91T/H	6 J x 15 ⇒ page 349	47	Yes	
	205/55 R 16 91T/H	6 J x 16 ⇒ page 351	50	Yes		
	1.6l 75 kW 1.6l 85 kW petrol engine; 1.9l 77 kW TDI diesel engine with manual gearbox 2.0l 77 kW TDI diesel engine with manual gearbox	Standard tyres	195/65 R 15 91H	6 J x 15 ⇒ page 349	47	
Modification		195/65 R 15 91T	6 J x 15 ⇒ page 349	47	Yes	
		195/65 R 15 91T/H/V	6 ¹ / ₂ J x 15 ⇒ page 350	50	Yes	
		195/65 R 15 91V	6 J x 15 ⇒ page 349	47	Yes	
		205/60 R 15 91T/H/V	6 ¹ / ₂ J x 15 ⇒ page 350	50	Yes	



Model engine output	Tyres	Tyre size	Wheel rim	Off-set in mm	Snow chains	Remarks
		205/55 R 16 91T/H/V/W	6 J x 16 ⇒ page 351	50	Yes	<p>* 225/45 R 17 91H/V/W tyres on 7 J x 17 rims with an offset of 47 are permitted only on vehicles with sports running gear and wheel housing extensions (FLAPS).</p> <p>*** 225/40 R 18 92Y tyres on 7 1/2 J x 18 rims with an offset of 49 are permitted only on vehicles with sports running gear, a rear axle camber value of -1°20' and wheel housing extensions (FLAPS) on the rear axle!</p>
		205/55 R 16 91T/H/V/W	6 1/2 J x 16 ⇒ page 351	50	No	
		225/45 R 17 91T/H/V/W * ⇒ page 341	7 J x 17 ⇒ page 357	47	No	
		225/40 R 18 92Y*** ⇒ page 341	7 1/2 J x 18 ⇒ page 358	49	No	
	Winter tyres	195/65 R 15 91T/H	6 J x 15 ⇒ page 349	47	Yes	
		205/55 R 16 91T/H	6 J x 16 ⇒ page 351	50	Yes	
1.4l 110 kW EcoFuel (natural gas CNG)	Standard tyres	205/55 R 16 91H/V/W	6 J x 16 ⇒ page 351	50	Yes	
	Modification	205/55 R 16 91H/V/W	6 1/2 J x 16 ⇒ page 351	50	No	
	Winter tyres	205/55 R 16 91T/H	6 J x 16 ⇒ page 351	50	Yes	
1.4l 103 kW 2.0l 100 kW petrol engine 2.0l 100 kW TDI diesel engine 2.0l 103 kW TDI diesel engine with manual gearbox	Standard tyres	195/65 R 15 91H	6 J x 15 ⇒ page 349	47	Yes	
	Modification	195/65 R 15 91V	6 J x 15 ⇒ page 349	47	Yes	
		195/65 R 15 91H/V	6 1/2 J x 15 ⇒ page 350	50	Yes	
		205/60 R 15 91H/V	6 1/2 J x 15 ⇒ page 350	50	Yes	
		205/55 R 16 91H/V/W	6 J x 16 ⇒ page 351	50	Yes	



Model engine output	Tyres	Tyre size	Wheel rim	Off-set in mm	Snow chains	Remarks
		205/55 R 16 91H/V/W	6 ¹ / ₂ J x 16 ⇒ page 351	50	No	<p>* 225/45 R 17 91H/V/W tyres on 7 J x 17 rims with an offset of 47 are permitted only on vehicles with sports running gear and wheel housing extensions (FLAPS).</p> <p>*** 225/40 R 18 92Y** tyres on 7¹/₂ J x 18 rims with an offset of 49 are permitted only on vehicles with sports running gear, a rear axle camber value of -1°20' and wheel housing extensions (FLAPS) on the rear axle!</p>
		225/45 R 17 91H/V/W * ⇒ page 342	7 J x 17 ⇒ page 357	47	No	
		225/40 R 18 92Y*** ⇒ page 342	7 ¹ / ₂ J x 18 ⇒ page 358	49	No	
	Winter tyres	195/65 R 15 91T/H	6 J x 15 ⇒ page 349	47	Yes	
		205/55 R 16 91T/H	6 J x 16 ⇒ page 351	50	Yes	
1.9l 77 kW TDI diesel engine with dual clutch gearbox 2.0l 77 kW TDI diesel engine with dual clutch gearbox 2.0l 103 kW TDI diesel engine with dual clutch gearbox	Standard tyres	195/65 R 15 95H	6 J x 15 ⇒ page 349	47	Yes	
	Modification	195/65 R 15 95H	6 ¹ / ₂ J x 15 ⇒ page 350	50	Yes	
		205/60 R 15 95H/V	6 ¹ / ₂ J x 15 ⇒ page 350	50	Yes	
		205/55 R 16 94V	6 J x 16 ⇒ page 351	50	Yes	
		205/55 R 16 94V	6 ¹ / ₂ J x 16 ⇒ page 351	50	No	
		225/45 R 17 94H/V/W * ⇒ page 342	7 J x 17 ⇒ page 357	47	No	
					* 225/45 R 17 94H/V/W tyres on 7 J x 17 rims with an offset of 47 are permitted only on vehicles with sports suspension and wheel housing extensions (FLAPS)!	



Model engine output	Tyres	Tyre size	Wheel rim	Off-set in mm	Snow chains	Remarks	
		225/40 R 18 92Y*** ⇒ page 343	7 1/2 J x 18 ⇒ page 358	49	No	*** 225/40 R 18 92Y tyres on 7 1/2 J x 18 rims with an offset of 49 are permitted only on vehicles with sports running gear, a rear axle camber value of -1°20' and wheel housing extensions (FLAPS) on the rear axle!	
	Winter tyres	195/65 R 15 95T/H	6 J x 15 ⇒ page 349	47	Yes		
		205/55 R 16 94T/H	6 J x 16 ⇒ page 351	50	Yes		
1.4l 125 kW petrol engine	Standard tyres	205/55 R 16 91V	6 J x 16 ⇒ page 351	50	Yes		
2.0l 125 kW TDI diesel engine with manual gearbox	Modification	205/55 R 16 91V/W	6 1/2 J x 16 ⇒ page 351	50	No		
		225/45 R 17 91V/W ** ⇒ page 343	7 J x 17 ⇒ page 357	47	No		** 225/45 R 17 91V/W tyres on 7 J x 17 rims with an offset of 47 are permitted only on vehicles with sports running gear and wheel housing extensions (FLAPS).
		225/40 R 18 92Y*** ⇒ page 343	7 1/2 J x 18 ⇒ page 358	49	No		*** 225/40 R 18 92Y tyres on 7 1/2 J x 18 rims with an offset of 49 are permitted only on vehicles with sports running gear, a rear axle camber value of -1°20' and wheel housing extensions (FLAPS) on the rear axle!
	Winter tyres	205/55 R 16 91T/H	6 J x 16 ⇒ page 351	50	Yes		
2.0l 125 kW TDI diesel engine with dual clutch gearbox	Standard tyres	205/55 R 16 94V	6 J x 16 ⇒ page 351	50	Yes		
	Modification	205/55 R 16 94V/W	6 1/2 J x 16 ⇒ page 351	50	No		
		225/45 R 17 94V/W ** ⇒ page 343	7 J x 17 ⇒ page 357	47	No		** 225/45 R 17 94V/W tyres on 7 J x 17 rims with an offset of 47 are permitted only on vehicles with sports running gear and wheel housing extensions (FLAPS).



Model engine output	Tyres	Tyre size	Wheel rim	Offset in mm	Snow chains	Remarks
		225/40 R 18 92Y*** ⇒ page 344	7 1/2 J x 18 ⇒ page 358	49	No	*** 225/40 R 18 92Y tyres on 7 1/2 J x 18 rims with an offset of 49 are permitted only on vehicles with sports running gear, a rear axle camber value of -1°20' and wheel housing extensions (FLAPS) on the rear axle!
	Winter tyres	205/55 R 16 94T/H	6 J x 16 ⇒ page 351	50	Yes	

Tyre pressures are printed on the tyre inflation pressure label, which can be found on the inside of the tank flap and on the driver's B-pillar.

35.3 Touran, type 1T and type 1t model year 2011 to model year 2012

Appendix to certificate statement 8107901330

The certificate statement can be found on the Volkswagen ServiceNet under Accessories/Tyres, Wheels and Tyres, Wheels and Tyres Guide.

Type approval number for type 1T: e1*2001/116*0211*23 to e1*2001/116*0211*26

Type approval number for type 1t: DE*2007/46*0506*00

Type approval number for type 1t: e1*2007/46*0506*00

Overview

Model engine output	Tyres	Tyre size	Wheel rim	Offset in mm	Snow chains	Remarks
1.2l 77 kW petrol engine	Standard tyres	195/65 R 15 91T	6 J x 15 ⇒ page 349	47	Yes	
1.6l 66 kW TDI; 1.6l 77 kW TDI; diesel engine	Modification	195/65 R 15 91H/V	6 J x 15 ⇒ page 349	47	Yes	General information on: ◆ Winter tyres ⇒ page 14 ◆ Snow chains ⇒ page 17
		195/65 R 15 91T/H/V	6 1/2 J x 15 ⇒ page 350	50	Yes	Tyre makes recommended by Volkswagen:
		205/60 R 15 91T/H/V	6 1/2 J x 15 ⇒ page 350	50	Yes	◆ Summer tyres ⇒ page 478 ◆ All-season tyres ⇒ page 488 ◆ Winter tyres ⇒ page 498



Model engine output	Tyres	Tyre size	Wheel rim	Off-set in mm	Snow chains	Remarks
		205/55 R 16 91T/H/V/W	6 J x 16 ⇒ page 351	50	Yes	<p>* 225/45 R 17 91H/V/W tyres on 7 J x 17 rims with an offset of 47 are permitted only on vehicles with sports running gear and wheel housing extensions (FLAPS).</p> <p>** 225/40 R 18 92Y** ⇒ page 345</p> <p>** 225/40 R 18 92Y tyres on 7¹/₂ J x 18 rims with an offset of 49 are permitted only on vehicles with sports running gear, a rear axle camber value of -1°20' and wheel housing extensions (FLAPS) on the rear axle!</p>
		205/55 R 16 91T/H/V/W	6 ¹ / ₂ J x 16 ⇒ page 351	50	No	
		205/50 R 17 93T/H/V	6 J x 17 ⇒ page 357	48.5	No	
		225/45 R 17 91T/H/V/W * ⇒ page 345	7 J x 17 ⇒ page 357	47	No	
		225/40 R 18 92Y** ⇒ page 345	7 ¹ / ₂ J x 18 ⇒ page 358	49	No	
	Winter tyres	195/65 R 15 91T/H	6 J x 15 ⇒ page 349	47	Yes	
		205/55 R 16 91T/H	6 J x 16 ⇒ page 351	50	Yes	
1.4l 110 kW EcoFuel (natural gas CNG)	Standard tyres	205/55 R 16 91H	6 J x 16 ⇒ page 351	50	Yes	
	Modification	205/55 R 16 91V/W	6 J x 16 ⇒ page 351	50	Yes	
		205/55 R 16 91H/V/W	6 ¹ / ₂ J x 16 ⇒ page 351	50	No	
	Winter tyres	205/55 R 16 91T/H	6 J x 16 ⇒ page 351	50	Yes	
1.4l 103 kW petrol engine	Standard tyres	195/65 R 15 91H	6 J x 15 ⇒ page 349	47	Yes	
	Modification	195/65 R 15 91V	6 J x 15 ⇒ page 349	47	Yes	
		195/65 R 15 91H/V	6 ¹ / ₂ J x 15 ⇒ page 350	50	Yes	
		205/60 R 15 91H/V	6 ¹ / ₂ J x 15 ⇒ page 350	50	Yes	



Model engine output	Tyres	Tyre size	Wheel rim	Off-set in mm	Snow chains	Remarks
		205/55 R 16 91H/V/W	6 J x 16 ⇒ page 351	50	Yes	<p>* 225/45 R 17 91H/V/W tyres on 7 J x 17 rims with an offset of 47 are permitted only on vehicles with sports running gear and wheel housing extensions (FLAPS).</p> <p>** 225/40 R 18 92Y ⇒ page 346</p> <p>tyres on 7¹/₂ J x 18 rims with an offset of 49 are permitted only on vehicles with sports running gear, a rear axle camber value of -1°20' and wheel housing extensions (FLAPS) on the rear axle!</p>
		205/55 R 16 91H/V/W	6 ¹ / ₂ J x 16 ⇒ page 351	50	No	
		205/50 R 17 93H/V/W	6 J x 17 ⇒ page 357	48.5	No	
		225/45 R 17 91H/V/W * ⇒ page 346	7 J x 17 ⇒ page 357	47	No	
		225/40 R 18 92Y** ⇒ page 346	7 ¹ / ₂ J x 18 ⇒ page 358	49	No	
	Winter tyres	195/65 R 15 91T/H	6 J x 15 ⇒ page 349	47	Yes	
		205/55 R 16 91T/H	6 J x 16 ⇒ page 351	50	Yes	
2.0l 103 kW TDI diesel engine with manual gearbox	Standard tyres	205/55 R 16 91H	6 J x 16 ⇒ page 351	50	Yes	<p>* 225/45 R 17 94H/V/W tyres on 7 J x 17 rims with an offset of 47 are permitted only on vehicles with sports suspension and wheel housing extensions (FLAPS)!</p>
	Modification	205/55 R 16 91V/W	6 J x 16 ⇒ page 351	50	Yes	
		205/55 R 16 91H/V/W	6 ¹ / ₂ J x 16 ⇒ page 351	50	No	
		205/50 R 17 93H/V/W	6 J x 17 ⇒ page 357	48.5	No	
		225/45 R 17 91H/V/W * ⇒ page 346	7 J x 17 ⇒ page 357	47	No	



Model engine output	Tyres	Tyre size	Wheel rim	Off-set in mm	Snow chains	Remarks
		225/40 R 18 92Y** ⇒ page 347	7 1/2 J x 18 ⇒ page 358	49	No	** 225/40 R 18 92Y tyres on 7 1/2 J x 18 rims with an offset of 49 are permitted only on vehicles with sports running gear, a rear axle camber value of -1°20' and wheel housing extensions (FLAPS) on the rear axle!
	Winter tyres	205/55 R 16 91T/H	6 J x 16 ⇒ page 351	50	Yes	
		205/50 R 17 93T/H	6 J x 17 ⇒ page 357	48.5	No	
2.0l 103 kW TDI diesel engine with dual clutch gearbox	Standard tyres	205/55 R 16 94H	6 J x 16 ⇒ page 351	50	Yes	
	Modification	205/55 R 16 94V/W	6 J x 16 ⇒ page 351	50	Yes	
		205/55 R 16 94H/V/W	6 1/2 J x 16 ⇒ page 351	50	No	
		205/50 R 17 93H/V/W	6 J x 17 ⇒ page 357	48.5	No	
		225/45 R 17 94H/V/W * ⇒ page 347	7 J x 17 ⇒ page 357	47	No	* 225/45 R 17 94H/V/W tyres on 7 J x 17 rims with an offset of 47 are permitted only on vehicles with sports suspension and wheel housing extensions (FLAPS)!
		225/40 R 18 92Y** ⇒ page 347	7 1/2 J x 18 ⇒ page 358	49	No	** 225/40 R 18 92Y tyres on 7 1/2 J x 18 rims with an offset of 49 are permitted only on vehicles with sports running gear, a rear axle camber value of -1°20' and wheel housing extensions (FLAPS) on the rear axle!
		Winter tyres	205/55 R 16 94T/H	6 J x 16 ⇒ page 351	50	Yes
	205/50 R 17 93T/H		6 J x 17 ⇒ page 357	48.5	No	
1.4l 125 kW petrol engine	Standard tyres	205/55 R 16 91V	6 J x 16 ⇒ page 351	50	Yes	



Model engine output	Tyres	Tyre size	Wheel rim	Off-set in mm	Snow chains	Remarks
	Modification	205/55 R 16 91V/W	6 ¹ / ₂ J x 16 ⇒ page 351	50	No	<p>* 225/45 R 17 91V/W tyres on 7 J x 17 rims with an offset of 47 are permitted only on vehicles with sports running gear and wheel housing extensions (flaps).</p> <p>** 225/40 R 18 92Y tyres on 7¹/₂ J x 18 rims with an offset of 49 are permitted only on vehicles with sports running gear, a rear axle camber value of -1°20' and wheel housing extensions (FLAPS) on the rear axle!</p>
		205/50 R 17 93V/W	6 J x 17 ⇒ page 357	48.5	No	
		225/45 R 17 91V/W * ⇒ page 348	7 J x 17 ⇒ page 357	47	No	
		225/40 R 18 92Y** ⇒ page 348	7 ¹ / ₂ J x 18 ⇒ page 358	49	No	
	Winter tyres	205/55 R 16 91T/H	6 J x 16 ⇒ page 351	50	Yes	
		205/50 R 17 93T/H	6 J x 17 ⇒ page 357	48.5	No	
2.0l 125 kW TDI diesel engine	Standard tyres	205/55 R 16 94V	6 J x 16 ⇒ page 351	50	Yes	
	Modification	205/55 R 16 94V/W	6 ¹ / ₂ J x 16 ⇒ page 351	50	No	
		205/50 R 17 93V/W	6 J x 17 ⇒ page 357	48.5	No	
		225/45 R 17 94V/W * ⇒ page 348	7 J x 17 ⇒ page 357	47	No	
		225/40 R 18 92Y** ⇒ page 348	7 ¹ / ₂ J x 18 ⇒ page 358	49	No	



Model engine output	Tyres	Tyre size	Wheel rim	Off-set in mm	Snow chains	Remarks
	Winter tyres	205/55 R 16 94T/H	6 J x 16 ⇒ page 351	50	Yes	
		205/50 R 17 93T/H	6 J x 17 ⇒ page 357	48.5	No	

Tyre pressures are printed on the tyre inflation pressure label, which can be found on the inside of the tank flap and on the driver's B-pillar.

35.4 Wheel allocation Touran, type 1T and type 1t model year 2003 to model year 2012

Explanation of information on wheels ⇒ [page 49](#)

Torque settings for wheel bolts ⇒ Running gear, axles, steering; Rep. gr. 44 ; Torque settings for fitting wheels

Pitch circle diameter: 112 mm
Number of wheel bolt holes: 5

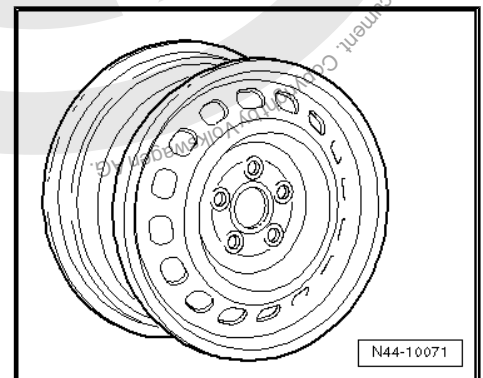
35.4.1 6 J x 15

	Caution
<i>Observe the allocation of wheels and tyres to the respective engines, which are listed in the overview table ⇒ page 336 .</i>	

1K0 601 027 C, 1K0 601 027 H - Wheel and tyre combination ⇒ [page 336](#)

Only for vehicles to maximum permissible axle load of 1,230 kg

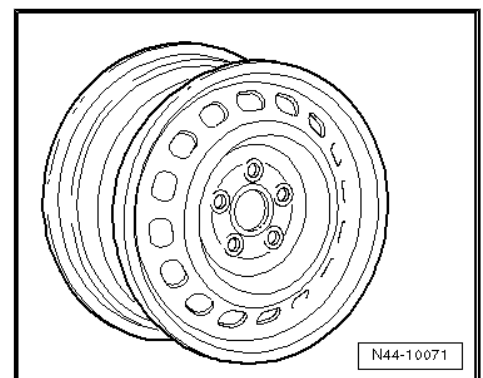
Size:	6 J x 15
Wheel offset in mm:	47
Wheel load in kg:	615



1K0 601 027 T, 1K0 601 027 AG - Wheel and tyre combination ⇒ [page 336](#)

Only for vehicles to maximum permissible axle load of 1,230 kg

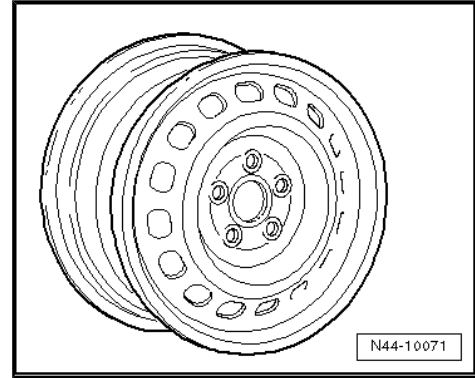
Size:	6 J x 15
Wheel offset in mm:	47
Wheel load in kg:	615





2K0 601 027 - Wheel and tyre combination ⇒ page 336

Size:	6 J x 15
Wheel offset in mm:	47
Wheel load in kg:	650



35.4.2 6¹/₂ J x 15



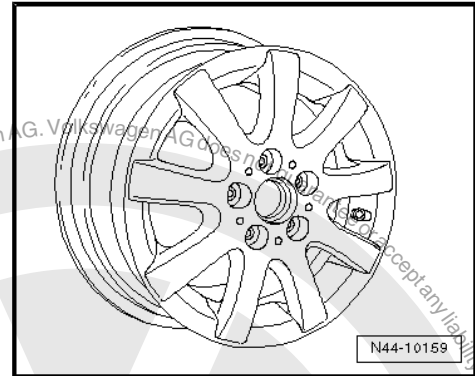
Caution

Observe the allocation of wheels and tyres to the respective engines, which are listed in the overview table ⇒ page 336.

1K0 601,025 A - Wheel and tyre combination ⇒ page 337

Only for vehicles to maximum permissible axle load of 1,200 kg

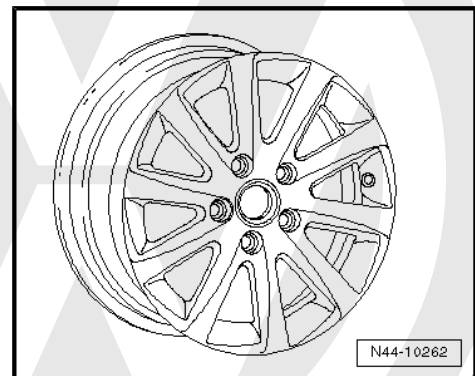
Size:	6 ¹ / ₂ J x 15
Wheel offset in mm:	50
Wheel load in kg:	600



1K0 601 025 AK - Wheel and tyre combination ⇒ page 337

Only for vehicles to maximum permissible axle load of 1,200 kg

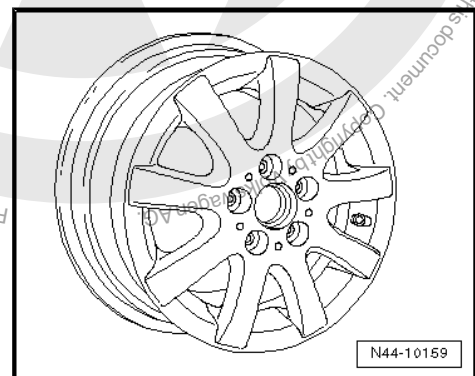
Size:	6 ¹ / ₂ J x 15
Wheel offset in mm:	50
Wheel load in kg:	600



1K0 601 025 AQ - Wheel and tyre combination ⇒ page 337

Only for vehicles to maximum permissible axle load of 1,200 kg

Size:	6 ¹ / ₂ J x 15
Wheel offset in mm:	50
Wheel load in kg:	600

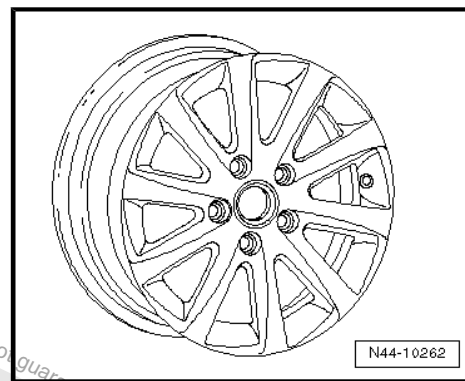




1K0 601 025 CA - Wheel and tyre combination ⇒ page 337

Only for vehicles to maximum permissible axle load of 1,200 kg

Size:	6 ¹ / ₂ J x 15
Wheel offset in mm:	50
Wheel load in kg:	600



35.4.3 6 J x 16

Caution
Observe the allocation of wheels and tyres to the respective engines, which are listed in the overview table ⇒ page 336 .

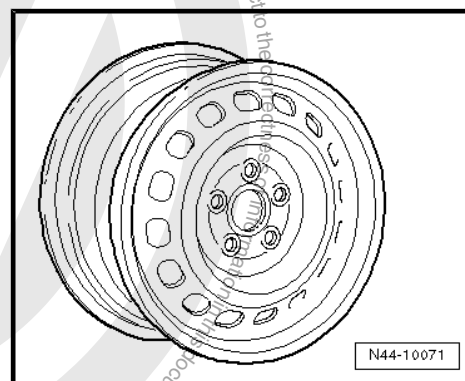
8P0 601 027 - Wheel and tyre combination ⇒ page 337

Only for vehicles to maximum permissible axle load of 1,200 kg

Size:	6 J x 16
Wheel offset in mm:	50
Wheel load in kg:	600

Use the following wheel bolt caps for wheel bolts:

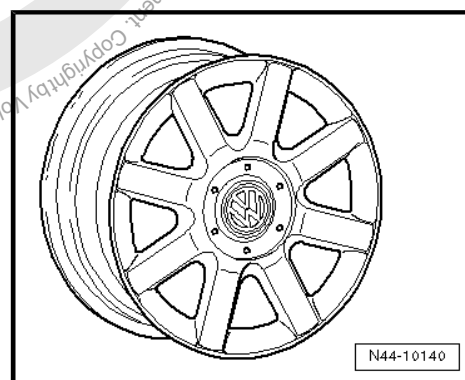
- ◆ 1K0.601.173 (4 per wheel)
- ◆ 1K0.601.173.A (1 per wheel)



1K0 601 025 Q - Wheel and tyre combination ⇒ page 337

Only for vehicles to maximum permissible axle load of 1,230 kg

Size:	6 J x 16 EH2 ⇒ page 49
Wheel offset in mm:	50
Wheel load in kg:	615



35.4.4 6¹/₂ J x 16

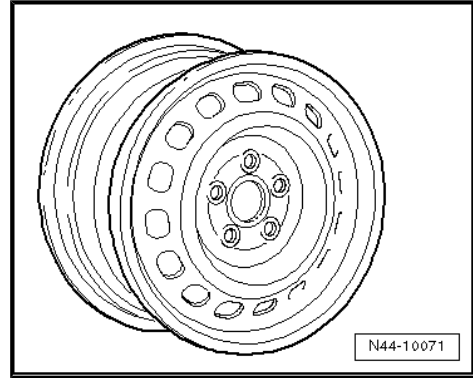
Caution
Observe the allocation of wheels and tyres to the respective engines, which are listed in the overview table ⇒ page 336 .



1K0 601 027 A, 1K0 601 027 AH - Wheel and tyre combination
⇒ [page 337](#)

Only for vehicles to maximum permissible axle load of 1,230 kg

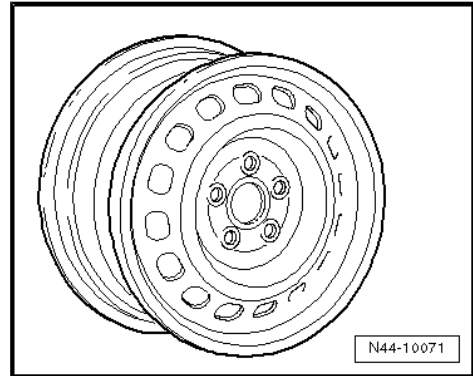
Size:	6 ¹ / ₂ J x 16
Wheel offset in mm:	50
Wheel load in kg:	615



1K0 601 027 J - Wheel and tyre combination ⇒ [page 337](#)

Only for vehicles to maximum permissible axle load of 1,230 kg

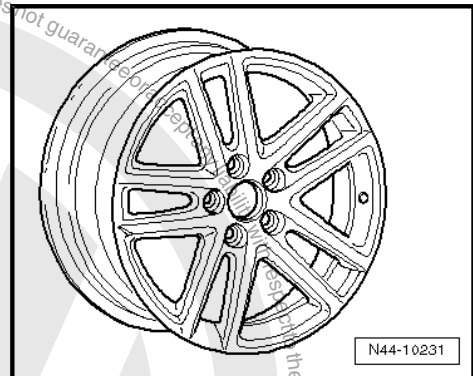
Size:	6 ¹ / ₂ J x 16
Wheel offset in mm:	50
Wheel load in kg:	615



1K0 601 025 AJ - Wheel and tyre combination ⇒ [page 337](#)

Only for vehicles to maximum permissible axle load of 1,230 kg

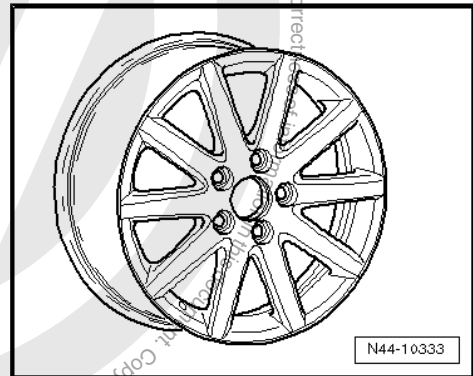
Size:	6 ¹ / ₂ J x 16
Wheel offset in mm:	50
Wheel load in kg:	615



1K0 601 025 BC - Wheel and tyre combination ⇒ [page 337](#)

Only for vehicles to maximum permissible axle load of 1,230 kg

Size:	6 ¹ / ₂ J x 16
Wheel offset in mm:	50
Wheel load in kg:	615

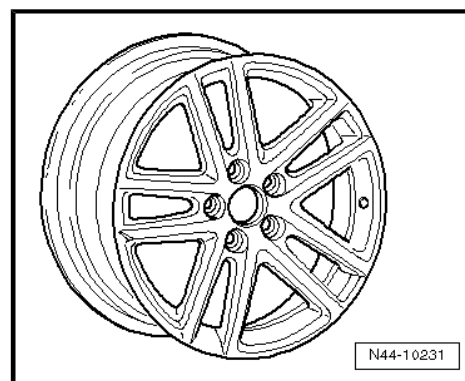




1K0 601 025 BM - Wheel and tyre combination ⇒ [page 337](#)

Only for vehicles to maximum permissible axle load of 1,230 kg

Size:	6 ¹ / ₂ J x 16
Wheel offset in mm:	50
Wheel load in kg:	615



1K0 601 025 BR - Wheel and tyre combination ⇒ [page 337](#)

Only for vehicles to maximum permissible axle load of 1,230 kg

Size:	6 ¹ / ₂ J x 16
Wheel offset in mm:	50
Wheel load in kg:	615



1K0 601 025 BS - Wheel and tyre combination ⇒ [page 337](#)

Only for vehicles to maximum permissible axle load of 1,230 kg

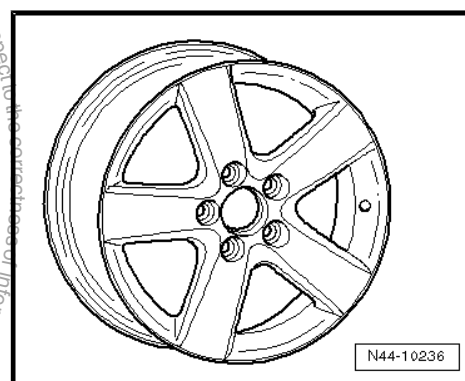
Size:	6 ¹ / ₂ J x 16
Wheel offset in mm:	50
Wheel load in kg:	615



1K0 601 025 CB - Wheel and tyre combination ⇒ [page 337](#)

Only for vehicles to maximum permissible axle load of 1,230 kg

Size:	6 ¹ / ₂ J x 16
Wheel offset in mm:	50
Wheel load in kg:	615





1K0 601 025 CG - Wheel and tyre combination ⇒ page 337

Only for vehicles to maximum permissible axle load of 1,230 kg

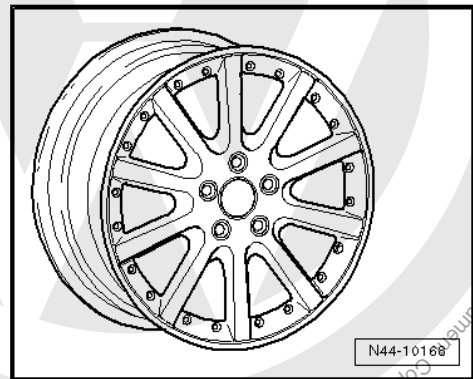
Size:	6 ¹ / ₂ J x 16
Wheel offset in mm:	50
Wheel load in kg:	615



1K0 601 025 F - Wheel and tyre combination ⇒ page 337

Only for vehicles to maximum permissible axle load of 1,230 kg

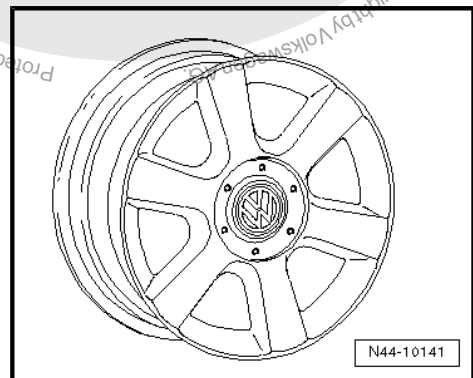
Size:	6 ¹ / ₂ J x 16
Wheel offset in mm:	50
Wheel load in kg:	615



1T0 601 025 C - Wheel and tyre combination ⇒ page 337

Only for vehicles to maximum permissible axle load of 1,230 kg

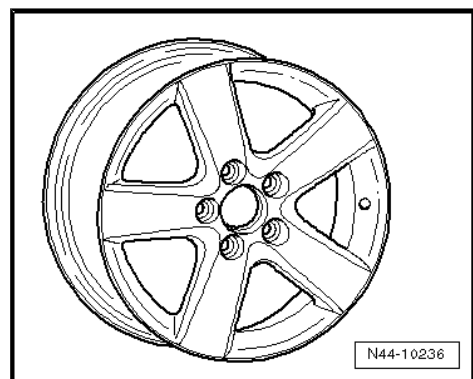
Size:	6 ¹ / ₂ J x 16
Wheel offset in mm:	50
Wheel load in kg:	615



1T0 601 025 G - Wheel and tyre combination ⇒ page 337

Only for vehicles to maximum permissible axle load of 1,230 kg

Size:	6 ¹ / ₂ J x 16
Wheel offset in mm:	50
Wheel load in kg:	615

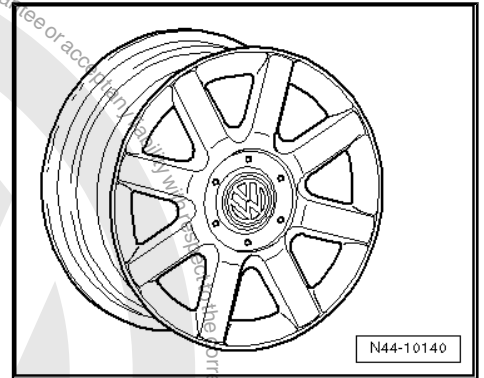




1K0 601 025 R - Wheel and tyre combination ⇒ page 337

Only for vehicles to maximum permissible axle load of 1,230 kg

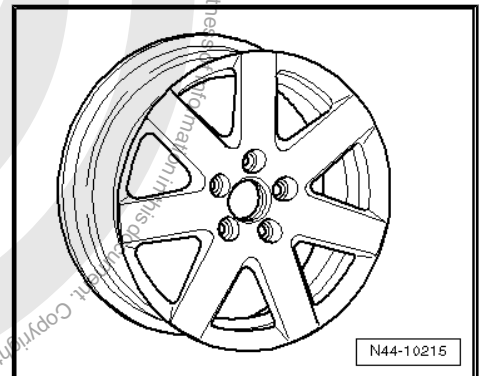
Size:	6 ¹ / ₂ J x 16
Wheel offset in mm:	50
Wheel load in kg:	615



1K0 601 025 P - Wheel and tyre combination ⇒ page 337

Only for vehicles to maximum permissible axle load of 1,230 kg

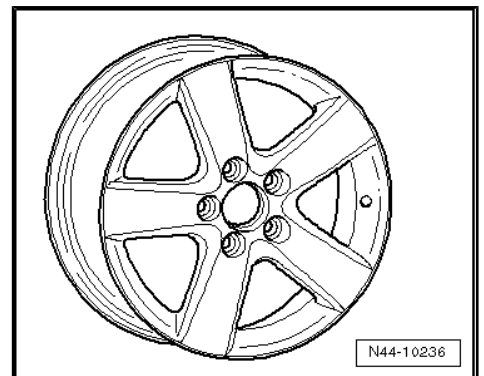
Size:	6 ¹ / ₂ J x 16
Wheel offset in mm:	50
Wheel load in kg:	615



1T0 601 025 M - Wheel and tyre combination ⇒ page 337

Only for vehicles to maximum permissible axle load of 1,230 kg

Size:	6 ¹ / ₂ J x 16
Wheel offset in mm:	50
Wheel load in kg:	615



1T0 601 025 R - Wheel and tyre combination ⇒ page 337

Only for vehicles to maximum permissible axle load of 1,230 kg

Size:	6 ¹ / ₂ J x 16
Wheel offset in mm:	50
Wheel load in kg:	615





1T0 601 025 S - Wheel and tyre combination ⇒ [page 337](#)

Only for vehicles to maximum permissible axle load of 1,230 kg

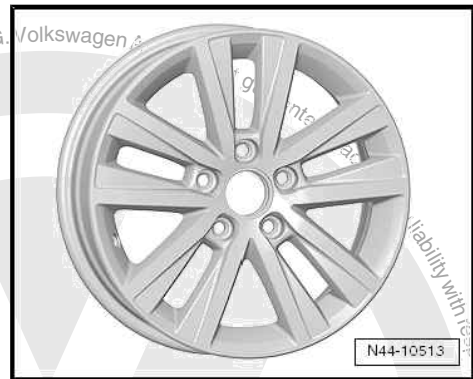
Size:	6 ¹ / ₂ J x 16
Wheel offset in mm:	50
Wheel load in kg:	615



5K0 601 025 AE - Wheel and tyre combination ⇒ [page 337](#)

Only for vehicles to maximum permissible axle load of 1230 kg

Size:	6 ¹ / ₂ J x 16
Wheel offset in mm:	50
Wheel load in kg:	615



5K0 601 025 E - Wheel and tyre combination ⇒ [page 337](#)

Only for vehicles to maximum permissible axle load of 1,230 kg

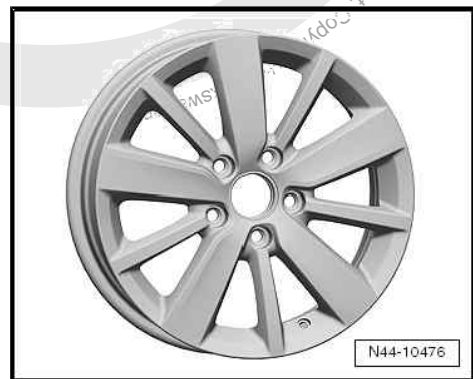
Size:	6 ¹ / ₂ J x 16
Wheel offset in mm:	50
Wheel load in kg:	615



5K0 601 025 S - Wheel and tyre combination ⇒ [page 337](#)

Only for vehicles to maximum permissible axle load of 1230 kg

Size:	6 ¹ / ₂ J x 16
Wheel offset in mm:	50
Wheel load in kg:	615






1K0 601 025 CJ - Wheel and tyre combination ⇒ page 337

Only for vehicles to maximum permissible axle load of 1,230 kg

Size:	6 ¹ / ₂ J x 16
Wheel offset in mm:	50
Wheel load in kg:	615



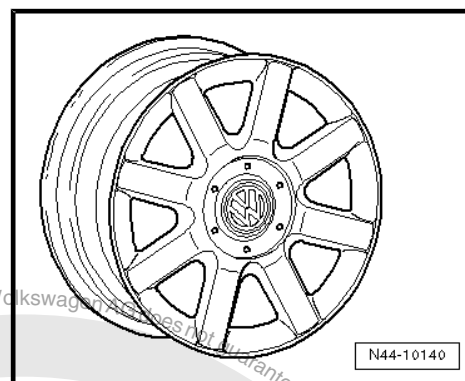
35.4.5 6 J x 17

 **Caution**
Observe the allocation of wheels and tyres to the respective engines, which are listed in the overview table ⇒ page 336 .


1K0 601 025 N - Wheel and tyre combination ⇒ page 345

Only for vehicles to maximum permissible axle load of 1,230 kg

Size:	6 J x 17
Wheel offset in mm:	48.5
Wheel load in kg:	615



35.4.6 7 J x 17

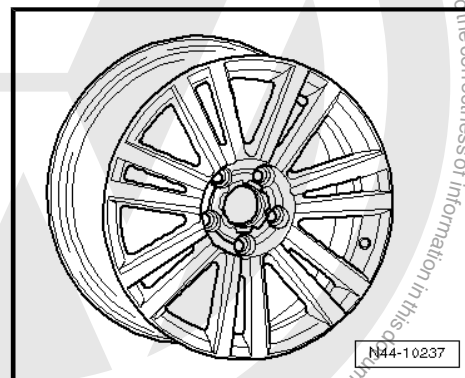
 **Caution**
Observe the allocation of wheels and tyres to the respective engines, which are listed in the overview table ⇒ page 336 .

1T0 601 025 F - Wheel and tyre combination ⇒ page 337

Only on vehicles with sports suspension and wheel housing extensions (FLAPS)

Only for vehicles to maximum permissible axle load of 1,230 kg

Size:	7 J x 17
Wheel offset in mm:	47
Wheel load in kg:	615

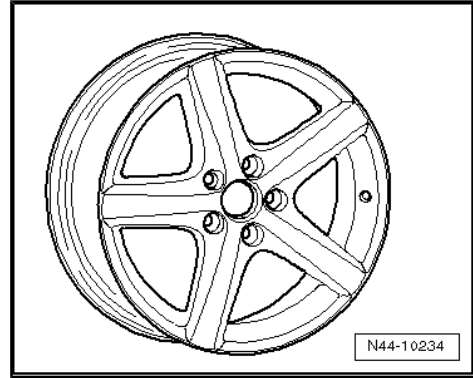




1T0 601 025 H - Wheel and tyre combination ⇒ page 337

Only on vehicles with sports suspension and wheel housing extensions (FLAPS)

Size:	7 J x 17
Wheel offset in mm:	47
Wheel load in kg:	630



1T0 601 025 T - Wheel and tyre combination ⇒ page 337

Only on vehicles with sports suspension and wheel housing extensions (FLAPS)

Only for vehicles to maximum permissible axle load of 1,230 kg

Size:	7 J x 17
Wheel offset in mm:	47
Wheel load in kg:	615



35.4.7 7 1/2 J x 18



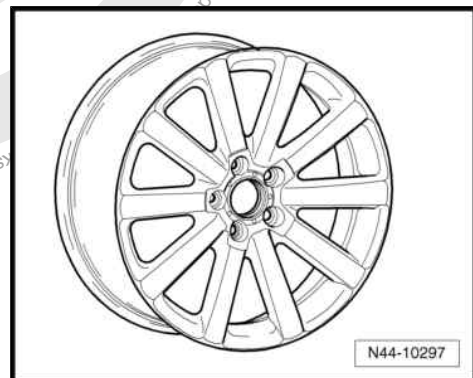
Caution

Observe the allocation of wheels and tyres to the respective engines, which are listed in the overview table ⇒ page 336 .

1T0 601 025 N - Wheel and tyre combination ⇒ page 341

Only on vehicles with sports suspension, a rear axle camber value of -1°20' and wheel housing extensions (FLAPS) on the rear axle

Size:	7 1/2 J x 18
Wheel offset in mm:	49
Wheel load in kg:	630





36 CrossTouran from model year 2008

General

Volkswagen vehicles are built according to the latest findings in safety engineering. To keep it that way, we recommend the use of only genuine Volkswagen spare parts. You can recognise this by the VW Audi logo and by the part number. It has been established that these parts are reliable, safe and suitable.

Despite constant appraisal of the market, we cannot assess other products on these points, even when in isolated cases they have been passed by official inspectors or have been granted official approval. Therefore, we cannot, of course, assume any liability if these products are installed.



WARNING

The products from Volkswagen genuine parts and Volkswagen accessories may differ in fitting requirements, torque specifications and so on.

Always follow the respective fitting and operating instructions.

The wheel and tyre combinations or changes listed in the vehicle tables refer exclusively to Volkswagen Genuine wheels. Approval of wheel and tyre combinations or a change to wheels from the accessories trade is not possible with the certificate statement attached here.



WARNING

The fitting instructions and torque specifications for wheels from Volkswagen accessories may differ from those intended for wheels from Volkswagen genuine parts.

Therefore, always observe the torque settings for the wheel bolts as well as the respective fitting and operating instructions.

36.1 CrossTouran, type 1T model year 2008 to model year 2009



Note

- ◆ *Vehicles were also manufactured where the chassis number was marked with model year 2007.*
- ◆ *Please check the type approval number against the respective COC documents for the respective vehicle ⇒ [page 6](#).*

Appendix to certificate statement 8107901330

The certificate statement can be found on the Volkswagen ServiceNet under Accessories/Tyres, Wheels and Tyres, Wheels and Tyres Guide.



Type Approval No.: e1*2001/116*0211*15 to
e1*2001/116*0211*19

Overview

Model engine output	Tyres	Tyre size	Wheel rim	Off-set in mm	Snow chains	Remarks
1.6l 75 kW petrol engine	Standard tyres on front axle	215/50 R 17 91T	6 ¹ / ₂ J x 17 ⇒ page 367	42	No	General information on: ♦ Winter tyres ⇒ page 14 ♦ Snow chains ⇒ page 17 Tyre makes recommended by Volkswagen: ♦ Summer tyres ⇒ page 479 ♦ Winter tyres ⇒ page 498
1.9l 77 kW TDI diesel engine with manual gearbox;	Standard tyres on rear axle	235/45 R 17 94T	8 J x 17 ⇒ page 368	37	No	
2.0l 77 kW TDI diesel engine with manual gearbox	Modification	No changes are permissible apart from the standard wheel and tyre combinations!				
	Winter tyres	195/65 R 15 91T/H	6 J x 15 ⇒ page 366	47	Yes	
		205/55 R 16 91T/H	6 J x 16 ⇒ page 367	50	Yes	
1.9l 77 kW TDI diesel engine with dual clutch gearbox;	Standard tyres on front axle	215/50 R 17 95T	6 ¹ / ₂ J x 17 ⇒ page 367	42	No	
2.0l 77 kW TDI diesel engine with dual clutch gearbox	Standard tyres on rear axle	235/45 R 17 94T	8 J x 17 ⇒ page 368	37	No	
	Modification	No changes are permissible apart from the standard wheel and tyre combinations!				
	Winter tyres	195/65 R 15 95T/H	6 J x 15 ⇒ page 366	47	Yes	
		205/55 R 16 94T/H	6 J x 16 ⇒ page 367	50	Yes	
2.0l 103 kW TDI diesel engine with dual clutch gearbox	Standard tyres on front axle	215/50 R 17 95H	6 ¹ / ₂ J x 17 ⇒ page 367	42	No	
	Standard tyres on rear axle	235/45 R 17 94H	8 J x 17 ⇒ page 368	37	No	
	Modification	No changes are permissible apart from the standard wheel and tyre combinations!				
	Winter tyres	195/65 R 15 95T/H	6 J x 15 ⇒ page 366	47	Yes	
		205/55 R 16 94T/H	6 J x 16 ⇒ page 367	50	Yes	



Model engine output	Tyres	Tyre size	Wheel rim	Off-set in mm	Snow chains	Remarks	
1.4l 103 kW petrol engine	Standard tyres on front axle	215/50 R 17 91H	6 ¹ / ₂ J x 17 ⇒ page 367	42	No	<p>Copyright by Volkswagen AG. Volkswagen does not guarantee or accept any liability with respect to the correctness of information in this document.</p>	
2.0l 103 kW TDI diesel engine with manual gearbox	Standard tyres on rear axle	235/45 R 17 94H	8 J x 17 ⇒ page 368	37	No		
	Modification	No changes are permissible apart from the standard wheel and tyre combinations!					
	Winter tyres	195/65 R 15 91T/H	6 J x 15 ⇒ page 366	47	Yes		
1.4l 125 kW petrol engine	Standard tyres on front axle	215/50 R 17 91V	6 ¹ / ₂ J x 17 ⇒ page 367	42	No		
	Standard tyres on rear axle	235/45 R 17 94V	8 J x 17 ⇒ page 368	37	No		
	Modification	No changes are permissible apart from the standard wheel and tyre combinations!					
2.0l 125 kW TDI diesel engine with manual gearbox	Winter tyres	205/55 R 16 91T/H	6 J x 16 ⇒ page 367	50	Yes		
	Standard tyres on front axle	215/50 R 17 95V	6 ¹ / ₂ J x 17 ⇒ page 367	42	No		
2.0l 125 kW TDI diesel engine with dual clutch gearbox	Standard tyres on rear axle	235/45 R 17 94V	8 J x 17 ⇒ page 368	37	No		
	Modification	No changes are permissible apart from the standard wheel and tyre combinations!					
	Winter tyres	205/55 R 16 94T/H	6 J x 16 ⇒ page 367	50	Yes		

Tyre pressures are printed on the tyre inflation pressure label, which can be found on the inside of the tank flap and on the driver's B-pillar.



36.2 CrossTouran, type 1T and type 1t model year 2010 to model year 2012



Caution

- ◆ *Observe details regarding wheel and tyre combinations for type 1T vehicles from type approval number: e1*2001/116*0211*25 ⇒ [page 364](#) .*
- ◆ *Observe details regarding wheel and tyre combinations for type 1t vehicles from type approval number: DE*2007/46*0506*00 ⇒ [page 364](#) .*
- ◆ *Observe details regarding wheel and tyre combinations for type 1t vehicles from type approval number: e1*2007/46*0506*00 ⇒ [page 364](#) .*

Appendix to certificate statement 8107901330

The certificate statement can be found on the Volkswagen ServiceNet under Accessories/Tyres, Wheels and Tyres, Wheels and Tyres Guide.

Type Approval No.: e1*2001/116*0211*20 to e1*2001/116*0211*24

Overview

Model engine output	Tyres	Tyre size	Wheel rim	Offset in mm	Snow chains	Remarks
1.6l 75 kW petrol engine	Standard tyres on front axle	215/50 R 17 91T	6 ¹ / ₂ J x 17 ⇒ page 367	42	No	General information on: ◆ Winter tyres ⇒ page 14 ◆ Snow chains ⇒ page 17
1.9l 77 kW TDI diesel engine with manual gearbox;	Standard tyres on rear axle	235/45 R 17 94T	8 J x 17 ⇒ page 368	37	No	
2.0l 77 kW TDI diesel engine with manual gearbox	Modification	No changes are permissible apart from the standard wheel and tyre combinations!				
	Winter tyres	195/65 R 15 91T/H	6 J x 15 ⇒ page 366	47	Yes	◆ Summer tyres ⇒ page 479 ◆ Winter tyres ⇒ page 498
		205/55 R 16 91T/H	6 J x 16 ⇒ page 367	50	Yes	
1.9l 77 kW TDI diesel engine with dual clutch gearbox;	Standard tyres on front axle	215/50 R 17 95T	6 ¹ / ₂ J x 17 ⇒ page 367	42	No	
2.0l 77 kW TDI diesel engine with dual clutch gearbox	Standard tyres on rear axle	235/45 R 17 94T	8 J x 17 ⇒ page 368	37	No	
	Modification	No changes are permissible apart from the standard wheel and tyre combinations!				



Model engine output	Tyres	Tyre size	Wheel rim	Off-set in mm	Snow chains	Remarks	
	Winter tyres	195/65 R 15 95T/H	6 J x 15 ⇒ page 366	47	Yes		
		205/55 R 16 94T/H	6 J x 16 ⇒ page 367	50	Yes		
2.0l 103 kW TDI diesel engine with dual clutch gearbox	Standard tyres on front axle	215/50 R 17 95H	6 ¹ / ₂ J x 17 ⇒ page 367	42	No		
	Standard tyres on rear axle	235/45 R 17 94H	8 J x 17 ⇒ page 368	37	No		
	Modification	No changes are permissible apart from the standard wheel and tyre combinations!					
	Winter tyres	195/65 R 15 95T/H	6 J x 15 ⇒ page 366	47	Yes		
		205/55 R 16 94T/H	6 J x 16 ⇒ page 367	50	Yes		
1.4 l 103 kW; petrol engine 2.0l 103 kW TDI diesel engine with manual gearbox	Standard tyres on front axle	215/50 R 17 91H	6 ¹ / ₂ J x 17 ⇒ page 367	42	No		
	Standard tyres on rear axle	235/45 R 17 94H	8 J x 17 ⇒ page 368	37	No		
	Modification	No changes are permissible apart from the standard wheel and tyre combinations!					
	Winter tyres	195/65 R 15 91T/H	6 J x 15 ⇒ page 366	47	Yes		
		205/55 R 16 91T/H	6 J x 16 ⇒ page 367	50	Yes		
1.4l 110 kW EcoFuel (natural gas CNG) 1.4l 125 kW petrol engine	Standard tyres on front axle	215/50 R 17 91H	6 ¹ / ₂ J x 17 ⇒ page 367	42	No		
	Standard tyres on rear axle	235/45 R 17 94H	8 J x 17 ⇒ page 368	37	No		
	Modification	No changes are permissible apart from the standard wheel and tyre combinations!					
	Winter tyres	205/55 R 16 91T/H	6 J x 16 ⇒ page 367	50	Yes		
2.0l 125 kW TDI diesel engine with manual gearbox	Standard tyres on front axle	215/50 R 17 91V	6 ¹ / ₂ J x 17 ⇒ page 367	42	No		
	Standard tyres on rear axle	235/45 R 17 94V	8 J x 17 ⇒ page 368	37	No		



Model engine output	Tyres	Tyre size	Wheel rim	Off-set in mm	Snow chains	Remarks
	Modification	No changes are permissible apart from the standard wheel and tyre combinations!				
	Winter tyres	205/55 R 16 91T/H	6 J x 16 ⇒ page 367	50	Yes	
2.0l 125 kW TDI diesel engine with dual clutch gearbox	Standard tyres on front axle	215/50 R 17 95V	6 ¹ / ₂ J x 17 ⇒ page 367	42	No	
	Standard tyres on rear axle	235/45 R 17 94V	8 J x 17 ⇒ page 368	37	No	
	Modification	No changes are permissible apart from the standard wheel and tyre combinations!				
	Winter tyres	205/55 R 16 94T/H	6 J x 16 ⇒ page 367	50	Yes	

Tyre pressures are printed on the tyre inflation pressure label, which can be found on the inside of the tank flap and on the driver's B-pillar.

Appendix to certificate statement 8107901330

The certificate statement can be found on the Volkswagen ServiceNet under Accessories/Tyres, Wheels and Tyres, Wheels and Tyres Guide.

Type approval number for type 1T: e1*2001/116*0211*25 to e1*2001/116*0211*26

Type approval number for type 1t: DE*2007/46*0506*00

Type approval number for type 1t: e1*2007/46*0506*00

Overview

Model engine output	Tyres	Tyre size	Wheel rim	Off-set in mm	Snow chains	Remarks
1,6l 77 kW TDI diesel engine	Standard tyres on front axle	215/50 R 17 91T	6 ¹ / ₂ J x 17 ⇒ page 367	42	No	
	Standard tyres on rear axle	235/45 R 17 94T	8 J x 17 ⇒ page 368	37	No	General information on: ♦ Winter tyres ⇒ page 14 ♦ Snow chains ⇒ page 17
	Modification	No changes are permissible apart from the standard wheel and tyre combinations!				
	Winter tyres	195/65 R 15 91T/H	6 J x 15 ⇒ page 366	47	Yes	Tyre makes recommended by Volkswagen: ♦ Summer tyres ⇒ page 479 ♦ Winter tyres ⇒ page 498



Model engine output	Tyres	Tyre size	Wheel rim	Offset in mm	Snow chains	Remarks
		205/55 R 16 91T/H	6 J x 16 ⇒ page 367	50	Yes	
1.4 l 103 kW; petrol engine	Standard tyres on front axle	215/50 R 17 91H	6 ¹ / ₂ J x 17 ⇒ page 367	42	No	
	Standard tyres on rear axle	235/45 R 17 94H	8 J x 17 ⇒ page 368	37	No	
	Modification	No changes are permissible apart from the standard wheel and tyre combinations!				
	Winter tyres	195/65 R 15 91T/H	6 J x 15 ⇒ page 366	47	Yes	
2.0l 103 kW TDI diesel engine with dual clutch gearbox	Standard tyres on front axle	205/55 R 16 91T/H	6 J x 16 ⇒ page 367	50	Yes	
	Standard tyres on rear axle	215/50 R 17 95H	6 ¹ / ₂ J x 17 ⇒ page 367	42	No	
	Standard tyres on rear axle	235/45 R 17 94H	8 J x 17 ⇒ page 368	37	No	
	Modification	No changes are permissible apart from the standard wheel and tyre combinations!				
1.4l 110 kW EcoFuel (natural gas CNG) 1.4l 125 kW petrol engine 2.0l 103 kW TDI diesel engine with manual gearbox	Standard tyres on front axle	215/50 R 17 91H	6 ¹ / ₂ J x 17 ⇒ page 367	42	No	
	Standard tyres on rear axle	235/45 R 17 94H	8 J x 17 ⇒ page 368	37	No	
	Modification	No changes are permissible apart from the standard wheel and tyre combinations!				
	Winter tyres	205/55 R 16 91T/H	6 J x 16 ⇒ page 367	50	Yes	
2.0l 125 kW TDI diesel engine with dual clutch gearbox	Standard tyres on front axle	215/50 R 17 95H	6 ¹ / ₂ J x 17 ⇒ page 367	42	No	
	Standard tyres on rear axle	235/45 R 17 94H	8 J x 17 ⇒ page 368	37	No	
	Modification	No changes are permissible apart from the standard wheel and tyre combinations!				
	Winter tyres	205/55 R 16 94T/H	6 J x 16 ⇒ page 367	50	Yes	



Tyre pressures are printed on the tyre inflation pressure label, which can be found on the inside of the tank flap and on the driver's B-pillar.

36.3 Wheel allocation CrossTouran, type 1T and type 1t model year 2008 to model year 2012

Explanation of information on wheels ⇒ [page 49](#)

Torque settings for wheel bolts ⇒ Running gear, axles, steering; Rep. gr. 44 ; Torque settings for fitting wheels

Pitch circle diameter: 112 mm

Number of wheel bolt holes: 5

36.3.1 6 J x 15



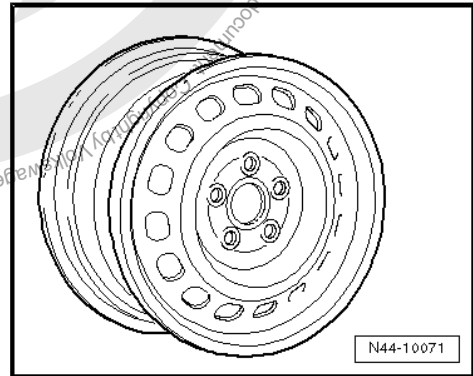
Caution

Observe the allocation of wheels and tyres to the respective engines, which are listed in the overview table ⇒ [page 360](#) .

1K0 601 027 C, 1K0 601 027 H - Wheel and tyre combination ⇒ [page 360](#)

Only for vehicles to maximum permissible axle load of 1,230 kg

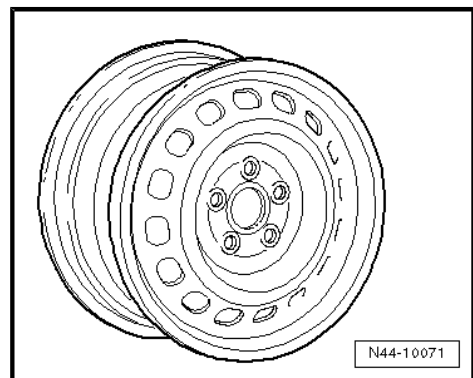
Size:	6 J x 15
Wheel offset in mm:	47
Wheel load in kg:	615



1K0 601 027 T, 1K0 601 027 AG - Wheel and tyre combination ⇒ [page 360](#)

Only for vehicles to maximum permissible axle load of 1,230 kg

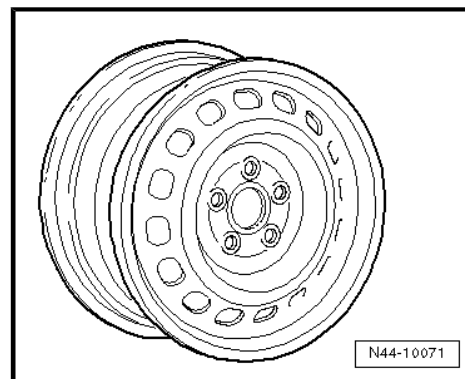
Size:	6 J x 15
Wheel offset in mm:	47
Wheel load in kg:	615






2K0 601 027 - Wheel and tyre combination ⇒ page 360

Size:	6 J x 15
Wheel offset in mm:	47
Wheel load in kg:	650



36.3.2 6 J x 16

 **Caution**

Observe the allocation of wheels and tyres to the respective engines, which are listed in the overview table ⇒ page 360.

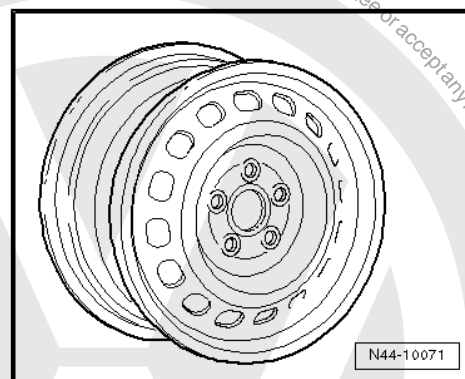
8P0 601 027 - Wheel and tyre combination ⇒ page 360

Only for vehicles to maximum permissible axle load of 1,200 kg

Size:	6 J x 16
Wheel offset in mm:	50
Wheel load in kg:	600

Use the following wheel bolt caps for wheel bolts:

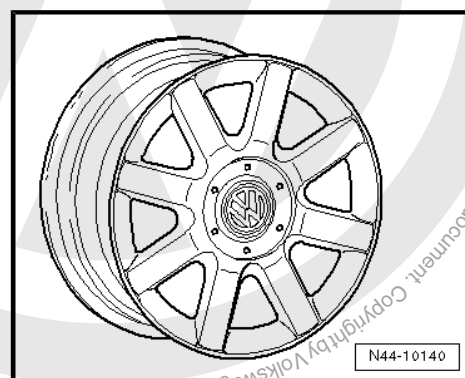
- ◆ 1K0.601.173 (4 per wheel)
- ◆ 1K0.601.173.A (1 per wheel)




1K0 601 025 Q - Wheel and tyre combination ⇒ page 360

Only for vehicles to maximum permissible axle load of 1,230 kg

Size:	6 J x 16 EH2 ⇒ page 49
Wheel offset in mm:	50
Wheel load in kg:	615



36.3.3 6 1/2 J x 17

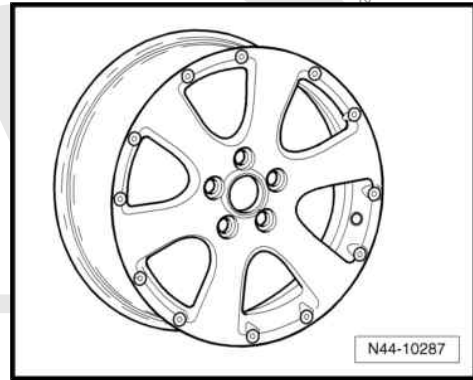
 **Caution**

Observe the allocation of wheels and tyres to the respective engines, which are listed in the overview table ⇒ page 360.



1T0 601 025 E - Wheel and tyre combination ⇒ [page 360](#)

Size:	6 ¹ / ₂ J x 17
Wheel offset in mm:	42
Wheel load in kg:	615



36.3.4 8 J x 17

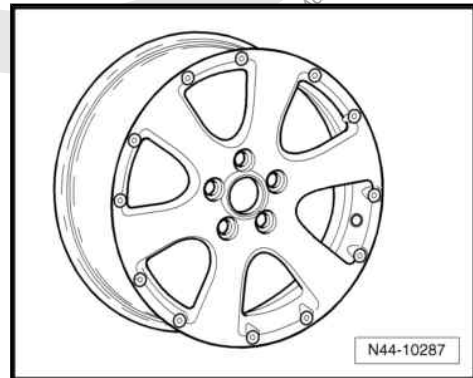


Caution

Observe the allocation of wheels and tyres to the respective engines, which are listed in the overview table ⇒ [page 360](#).

1T0 601 025 J - Wheel and tyre combination ⇒ [page 360](#)

Size:	8 J x 17
Wheel offset in mm:	37
Wheel load in kg:	615





37 Touran BlueMotion from model year 2009

General

Volkswagen vehicles are built according to the latest findings in safety engineering. To keep it that way, we recommend the use of only genuine Volkswagen spare parts. You can recognise this by the VW Audi logo and by the part number. It has been established that these parts are reliable, safe and suitable.

Despite constant appraisal of the market, we cannot assess other products on these points, even when in isolated cases they have been passed by official inspectors or have been granted official approval. Therefore, we cannot, of course, assume any liability if these products are installed.



WARNING

The products from Volkswagen genuine parts and Volkswagen accessories may differ in fitting requirements, torque specifications and so on.

Always follow the respective fitting and operating instructions.

The wheel and tyre combinations or changes listed in the vehicle tables refer exclusively to Volkswagen Genuine wheels. Approval of wheel and tyre combinations or a change to wheels from the accessories trade is not possible with the certificate statement attached here.



WARNING

The fitting instructions and torque specifications for wheels from Volkswagen accessories may differ from those intended for wheels from Volkswagen genuine parts.

Therefore, always observe the torque settings for the wheel bolts as well as the respective fitting and operating instructions.

37.1 Touran BlueMotion, type 1T and type 1t model year 2009 to model year 2012

Appendix to certificate statement 8107901330

The certificate statement can be found on the Volkswagen ServiceNet under Accessories/Tyres, Wheels and Tyres, Wheels and Tyres Guide.

Type approval number for type 1T: e1*2001/116*0211*23 to e1*2001/116*0211*26

Type approval number for type 1t: DE*2007/46*0506*00

Type approval number for type 1t: e1*2007/46*0506*00

Overview

Model engine output	Tyres	Tyre size	Wheel rim	Off-set in mm	Snow chains	Remarks
1,6l 77 kW TDI diesel engine	Standard tyres	195/65 R 15 91T	6 J x 15 page 371	47	Yes	



Model engine output	Tyres	Tyre size	Wheel rim	Off-set in mm	Snow chains	Remarks
1.2l 77 kW petrol engine	Modification	195/65 R 15 91H/V	6 J x 15 ⇒ page 371	47	Yes	General information on: ◆ Winter tyres ⇒ page 14 ◆ Snow chains ⇒ page 17 Tyre makes recommended by Volkswagen: ◆ Summer tyres ⇒ page 478 ◆ Winter tyres ⇒ page 498
		195/65 R 15 91T/H/V	6 ¹ / ₂ J x 15 ⇒ page 372	50	Yes	
		205/60 R 15 91T/H/V	6 ¹ / ₂ J x 15 ⇒ page 372	50	Yes	
		205/55 R 16 91T/H/V	6 J x 16 ⇒ page 373	50	Yes	
		205/55 R 16 91T/H/V	6 ¹ / ₂ J x 16 ⇒ page 373	50	No	
	Winter tyres	195/65 R 15 91T/H	6 J x 15 ⇒ page 371	47	Yes	
		205/55 R 16 91T/H	6 J x 16 ⇒ page 373	50	Yes	
2.0l 103 kW TDI diesel engine with manual gearbox	Standard tyres	205/55 R 16 91H	6 J x 16 ⇒ page 373	50	Yes	
	Modification	205/55 R 16 91V	6 J x 16 ⇒ page 373	50	Yes	
		205/55 R 16 91H/V	6 ¹ / ₂ J x 16 ⇒ page 373	50	No	
	Winter tyres	205/55 R 16 91T/H	6 J x 16 ⇒ page 373	50	Yes	
2.0l 103 kW TDI diesel engine with dual clutch gearbox	Standard tyres	205/55 R 16 94H	6 J x 16 ⇒ page 373	50	Yes	
	Modification	205/55 R 16 94V	6 J x 16 ⇒ page 373	50	Yes	
		205/55 R 16 94H/V/W	6 ¹ / ₂ J x 16 ⇒ page 373	50	No	
	Winter tyres	205/55 R 16 94T/H	6 J x 16 ⇒ page 373	50	Yes	

Tyre pressures are printed on the tyre inflation pressure label, which can be found on the inside of the tank flap and on the driver's B-pillar.




37.2 Wheel allocation Touran BlueMotion, type 1T and type 1t model year 2009 to model year 2012

Explanation of information on wheels ⇒ [page 49](#)

Torque settings for wheel bolts ⇒ Running gear, axles, steering;
 Rep. gr. 44 ; Torque settings for fitting wheels

Pitch circle diameter: 112 mm
 Number of wheel bolt holes: 5

37.2.1 6 J x 15



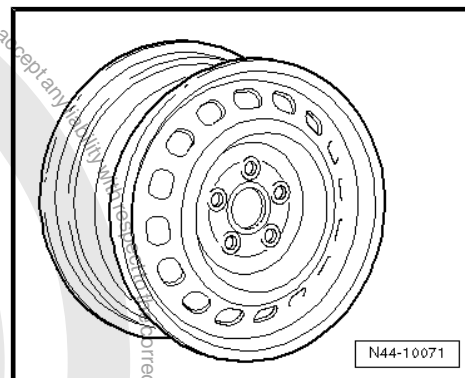
Caution

Observe the allocation of wheels and tyres to the respective engines, which are listed in the overview table ⇒ [page 369](#) .

1K0 601 027 C, 1K0 601 027 H - Wheel and tyre combination
 ⇒ [page 369](#)

Only for vehicles to maximum permissible axle load of 1,230 kg

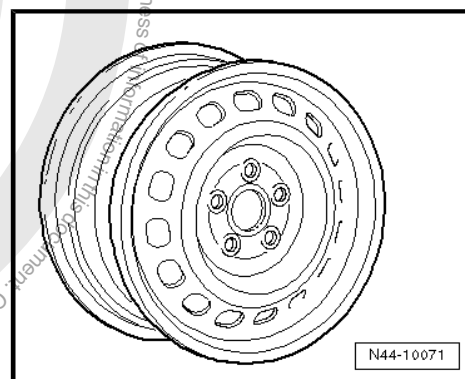
Size:	6 J x 15
Wheel offset in mm:	47
Wheel load in kg:	615



1K0 601 027 T, 1K0 601 027 AG - Wheel and tyre combination
 ⇒ [page 369](#)

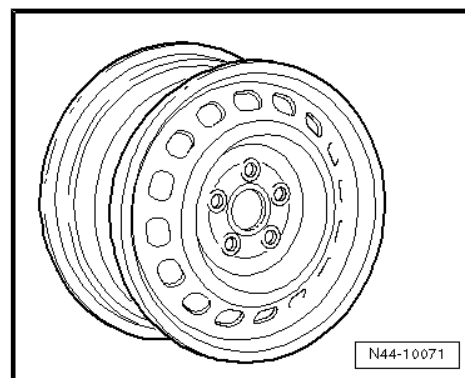
Only for vehicles to maximum permissible axle load of 1,230 kg

Size:	6 J x 15
Wheel offset in mm:	47
Wheel load in kg:	615



2K0 601 027 - Wheel and tyre combination ⇒ [page 369](#)

Size:	6 J x 15
Wheel offset in mm:	47
Wheel load in kg:	650





37.2.2 6¹/₂ J x 15



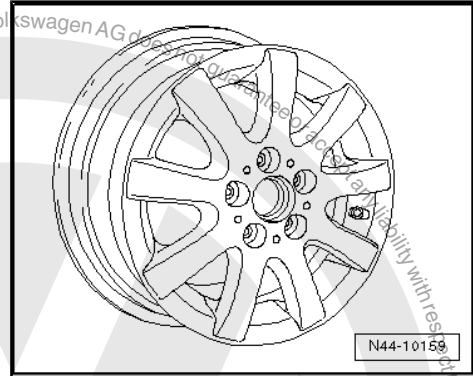
Caution

Observe the allocation of wheels and tyres to the respective engines, which are listed in the overview table ⇒ [page 369](#) .

1K0 601,025 A - Wheel and tyre combination ⇒ [page 370](#)

Only for vehicles to maximum permissible axle load of 1,200 kg

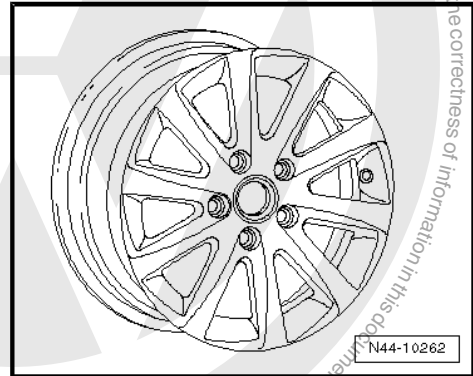
Size:	6 ¹ / ₂ J x 15
Wheel offset in mm:	50
Wheel load in kg:	600



1K0 601 025 AK - Wheel and tyre combination ⇒ [page 370](#)

Only for vehicles to maximum permissible axle load of 1,200 kg

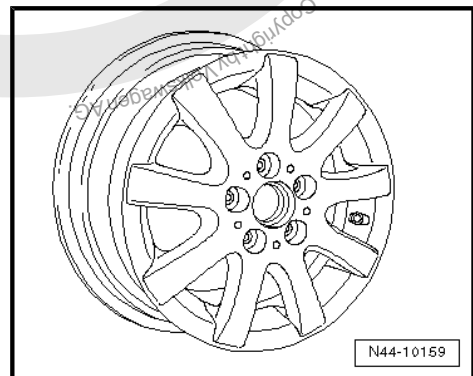
Size:	6 ¹ / ₂ J x 15
Wheel offset in mm:	50
Wheel load in kg:	600



1K0 601 025 AQ - Wheel and tyre combination ⇒ [page 370](#)

Only for vehicles to maximum permissible axle load of 1,200 kg

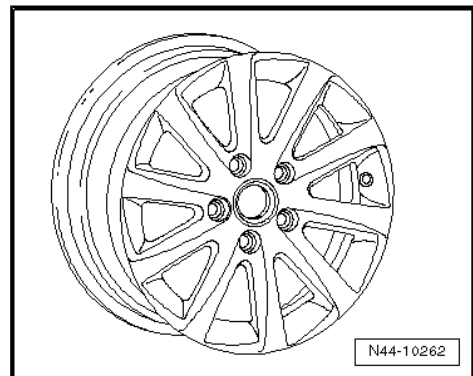
Size:	6 ¹ / ₂ J x 15
Wheel offset in mm:	50
Wheel load in kg:	600



1K0 601 025 CA - Wheel and tyre combination ⇒ [page 370](#)


Only for vehicles to maximum permissible axle load of 1,200 kg

Size:	6 ¹ / ₂ J x 15
Wheel offset in mm:	50
Wheel load in kg:	600





37.2.3 6 J x 16

 **Caution**
Observe the allocation of wheels and tyres to the respective engines, which are listed in the overview table ⇒ [page 369](#) .

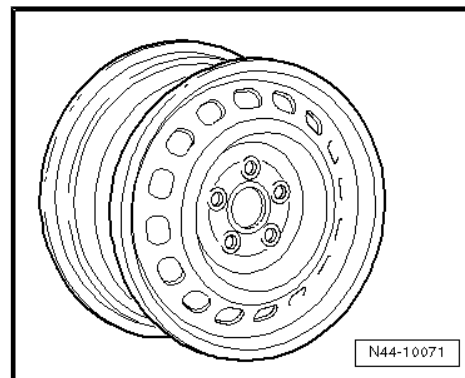
8P0 601 027 - Wheel and tyre combination ⇒ [page 370](#)

Only for vehicles to maximum permissible axle load of 1,200 kg

Size:	6 J x 16
Wheel offset in mm:	50
Wheel load in kg:	600

Use the following wheel bolt caps for wheel bolts:

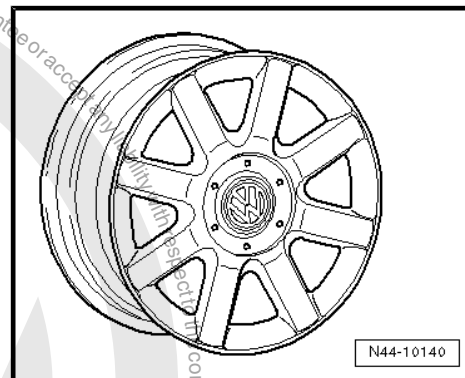
- ◆ 1K0.601.173 (4 per wheel)
- ◆ 1K0.601.173.A (1 per wheel)




1K0 601 025 Q - Wheel and tyre combination ⇒ [page 370](#)

Only for vehicles to maximum permissible axle load of 1,230 kg

Size:	6 J x 16 EH2 ⇒ page 49
Wheel offset in mm:	50
Wheel load in kg:	615



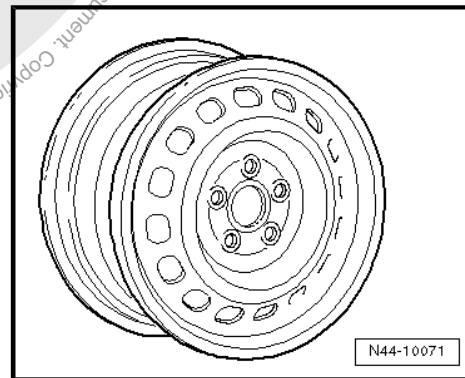
37.2.4 6¹/₂ J x 16

 **Caution**
Observe the allocation of wheels and tyres to the respective engines, which are listed in the overview table ⇒ [page 369](#) .

1K0 601 027 A, 1K0 601 027 AH - Wheel and tyre combination
⇒ [page 370](#)

Only for vehicles to maximum permissible axle load of 1,230 kg

Size:	6 ¹ / ₂ J x 16
Wheel offset in mm:	50
Wheel load in kg:	615

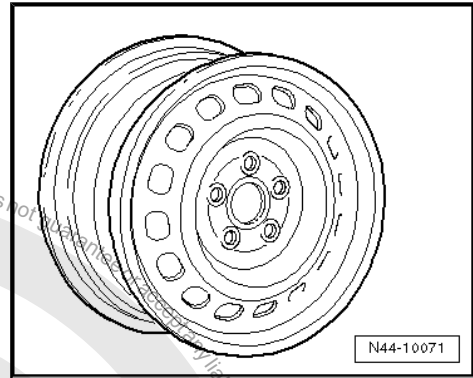




1K0 601 027 J - Wheel and tyre combination ⇒ page 370

Only for vehicles to maximum permissible axle load of 1,230 kg

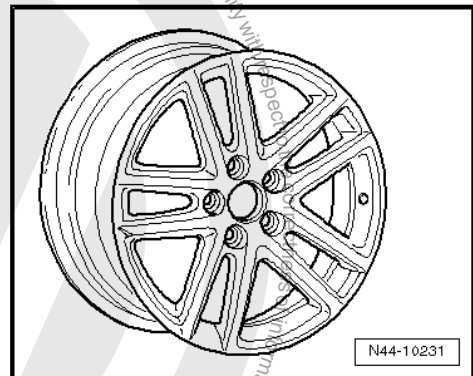
Size:	6 ¹ / ₂ J x 16
Wheel offset in mm:	50
Wheel load in kg:	615



1K0 601 025 AJ - Wheel and tyre combination ⇒ page 370

Only for vehicles to maximum permissible axle load of 1,230 kg

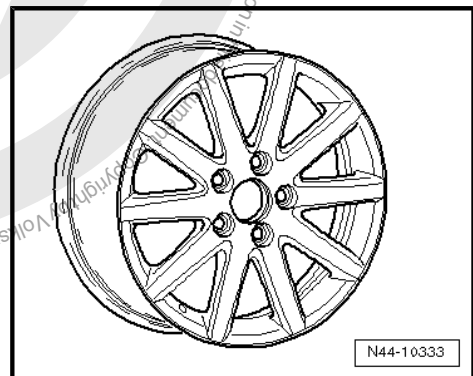
Size:	6 ¹ / ₂ J x 16
Wheel offset in mm:	50
Wheel load in kg:	615



1K0 601 025 BC - Wheel and tyre combination ⇒ page 370

Only for vehicles to maximum permissible axle load of 1,230 kg

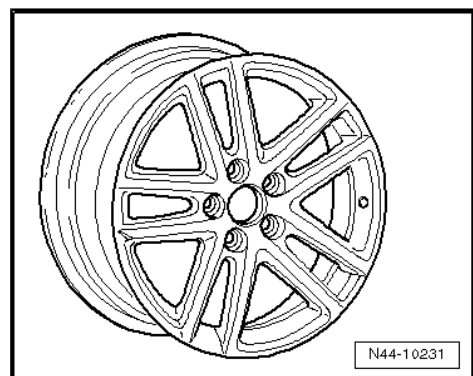
Size:	6 ¹ / ₂ J x 16
Wheel offset in mm:	50
Wheel load in kg:	615



1K0 601 025 BM - Wheel and tyre combination ⇒ page 370

Only for vehicles to maximum permissible axle load of 1,230 kg

Size:	6 ¹ / ₂ J x 16
Wheel offset in mm:	50
Wheel load in kg:	615





1K0 601 025 BR - Wheel and tyre combination ⇒ page 370

Only for vehicles to maximum permissible axle load of 1,230 kg

Size:	6 ¹ / ₂ J x 16
Wheel offset in mm:	50
Wheel load in kg:	615



1K0 601 025 BS - Wheel and tyre combination ⇒ page 370

Only for vehicles to maximum permissible axle load of 1,230 kg

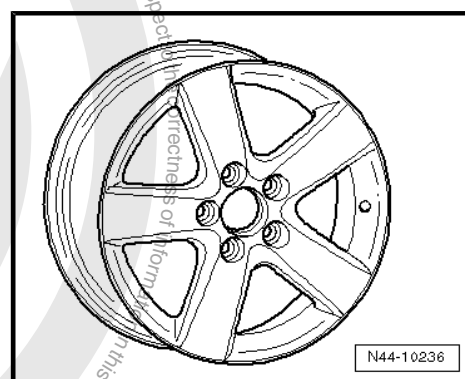
Size:	6 ¹ / ₂ J x 16
Wheel offset in mm:	50
Wheel load in kg:	615



1K0 601 025 CB - Wheel and tyre combination ⇒ page 370

Only for vehicles to maximum permissible axle load of 1,230 kg

Size:	6 ¹ / ₂ J x 16
Wheel offset in mm:	50
Wheel load in kg:	615



1K0 601 025 CG - Wheel and tyre combination ⇒ page 370

Only for vehicles to maximum permissible axle load of 1,230 kg

Size:	6 ¹ / ₂ J x 16
Wheel offset in mm:	50
Wheel load in kg:	615

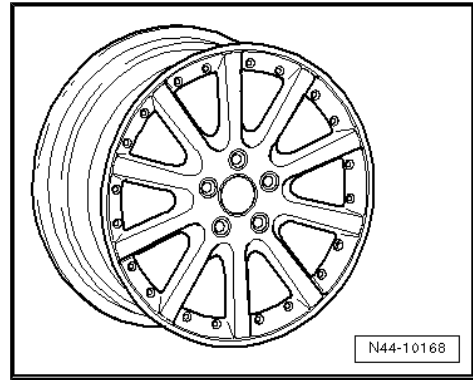




1K0 601 025 F - Wheel and tyre combination ⇒ page 370

Only for vehicles to maximum permissible axle load of 1,230 kg

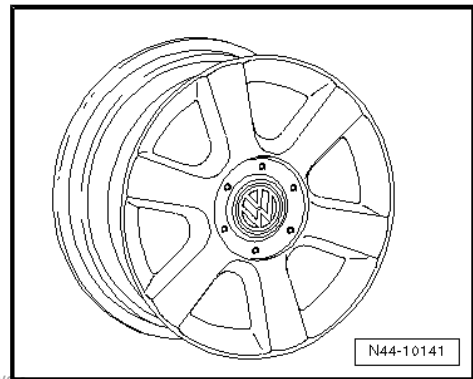
Size:	6 ¹ / ₂ J x 16
Wheel offset in mm:	50
Wheel load in kg:	615



1T0 601 025 C - Wheel and tyre combination ⇒ page 370

Only for vehicles to maximum permissible axle load of 1,230 kg

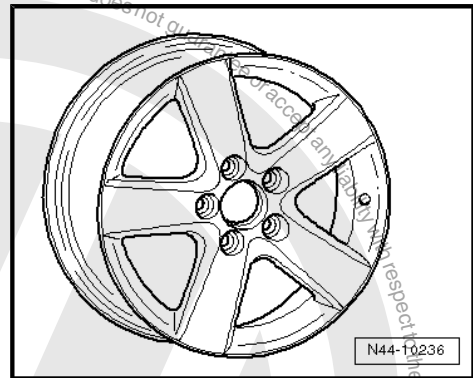
Size:	6 ¹ / ₂ J x 16
Wheel offset in mm:	50
Wheel load in kg:	615



1T0 601 025 G - Wheel and tyre combination ⇒ page 370

Only for vehicles to maximum permissible axle load of 1,230 kg

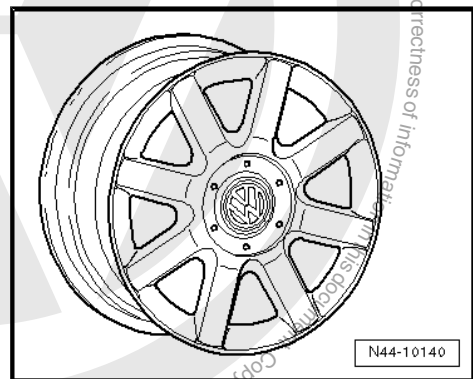
Size:	6 ¹ / ₂ J x 16
Wheel offset in mm:	50
Wheel load in kg:	615



1K0 601 025 R - Wheel and tyre combination ⇒ page 370

Only for vehicles to maximum permissible axle load of 1,230 kg

Size:	6 ¹ / ₂ J x 16
Wheel offset in mm:	50
Wheel load in kg:	615

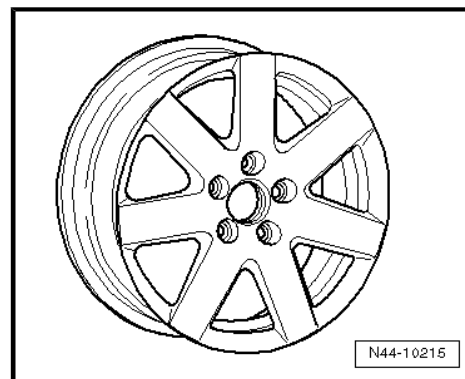




1K0 601 025 P - Wheel and tyre combination ⇒ page 370

Only for vehicles to maximum permissible axle load of 1,230 kg

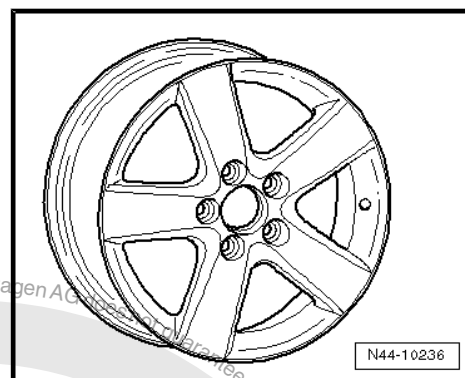
Size:	6 ¹ / ₂ J x 16
Wheel offset in mm:	50
Wheel load in kg:	615



1T0 601 025 M - Wheel and tyre combination ⇒ page 370

Only for vehicles to maximum permissible axle load of 1,230 kg

Size:	6 ¹ / ₂ J x 16
Wheel offset in mm:	50
Wheel load in kg:	615



1T0 601 025 R - Wheel and tyre combination ⇒ page 370

Only for vehicles to maximum permissible axle load of 1,230 kg

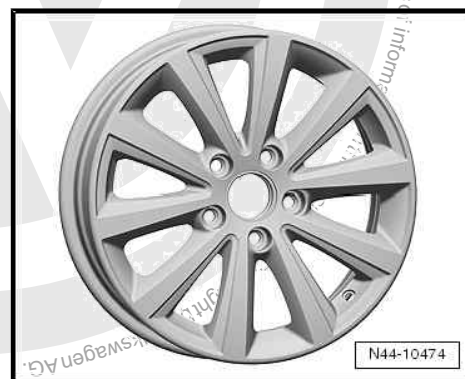
Size:	6 ¹ / ₂ J x 16
Wheel offset in mm:	50
Wheel load in kg:	615



1T0 601 025 S - Wheel and tyre combination ⇒ page 370

Only for vehicles to maximum permissible axle load of 1,230 kg

Size:	6 ¹ / ₂ J x 16
Wheel offset in mm:	50
Wheel load in kg:	615





5K0 601 025 AE - Wheel and tyre combination ⇒ [page 370](#)

Only for vehicles to maximum permissible axle load of 1230 kg

Size:	6 ¹ / ₂ J x 16
Wheel offset in mm:	50
Wheel load in kg:	615



5K0 601 025 E - Wheel and tyre combination ⇒ [page 370](#)

Only for vehicles to maximum permissible axle load of 1,230 kg

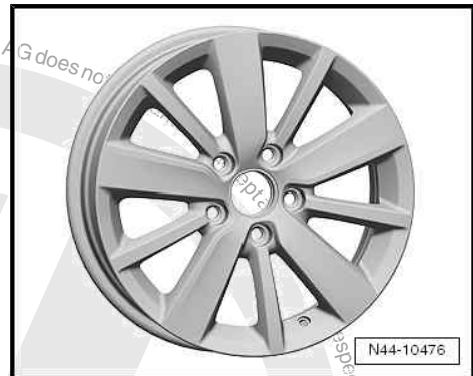
Size:	6 ¹ / ₂ J x 16
Wheel offset in mm:	50
Wheel load in kg:	615



5K0 601 025 S - Wheel and tyre combination ⇒ [page 370](#)

Only for vehicles to maximum permissible axle load of 1230 kg

Size:	6 ¹ / ₂ J x 16
Wheel offset in mm:	50
Wheel load in kg:	615



1K0 601 025 CJ - Wheel and tyre combination ⇒ [page 370](#)

Only for vehicles to maximum permissible axle load of 1,230 kg

Size:	6 ¹ / ₂ J x 16
Wheel offset in mm:	50
Wheel load in kg:	615





38 Tiguan from model year 2008

General

Volkswagen vehicles are built according to the latest findings in safety engineering. To keep it that way, we recommend the use of only genuine Volkswagen spare parts. You can recognise this by the VW Audi logo and by the part number. It has been established that these parts are reliable, safe and suitable.

Despite constant appraisal of the market, we cannot assess other products on these points, even when in isolated cases they have been passed by official inspectors or have been granted official approval. Therefore, we cannot, of course, assume any liability if these products are installed.



WARNING

The products from Volkswagen genuine parts and Volkswagen accessories may differ in fitting requirements, torque specifications and so on.

Always follow the respective fitting and operating instructions.

The wheel and tyre combinations or changes listed in the vehicle tables refer exclusively to Volkswagen Genuine wheels. Approval of wheel and tyre combinations or a change to wheels from the accessories trade is not possible with the certificate statement attached here.



WARNING

The fitting instructions and torque specifications for wheels from Volkswagen accessories may differ from those intended for wheels from Volkswagen genuine parts.

Therefore, always observe the torque settings for the wheel bolts as well as the respective fitting and operating instructions.

38.1 Tiguan, type 5N model year 2008 to model year 2011

Appendix to certificate statement 8107901308

The certificate statement can be found on the Volkswagen ServiceNet under Accessories/Tyres, Wheels and Tyres, Wheels and Tyres Guide.

Type approval number: e1*2001/116*0450*00 to e1*2001/116*0450*10

Overview

Model engine output	Tyres	Tyre size	Wheel rim	Offset in mm	Snow chains	Remarks
2.0l 81 kW TDI 2.0l 100 kW TDI 2.0l 103 kW TDI 2.0l 120 kW TDI 2.0l 125 kW TDI diesel engine	Standard tyres	215/65 R 16 98H	6 ¹ / ₂ J x 16 ⇒ page 382	33	Yes	General information on: ◆ Winter tyres ⇒ page 14 ◆ Snow chains ⇒ page 17



Model engine output	Tyres	Tyre size	Wheel rim	Off-set in mm	Snow chains	Remarks
1.4l 90 kW 1.4l 110 kW 2.0l 125 kW 2.0l 147 kW petrol engines	Modification	215/60 R 17 96H	6 ¹ / ₂ J x 17 ⇒ page 384	33	Yes	Tyre makes recommended by Volkswagen: ♦ Summer tyres ⇒ page 479 ♦ All-season tyres ⇒ page 488 ♦ Winter tyres ⇒ page 499 * 255/40 R 19 96H and 9 J x 19 offset 33 wheel and tyre combination is permitted only on vehicles with sports running gear and wheel housing extensions.
		235/55 R 17 99H	7 J x 17 ⇒ page 384	43	No	
		235/50 R 18 97H	7 J x 18 ⇒ page 385	43	No	
		255/40 R 19 96H * ⇒ page 380	9 J x 19 ⇒ page 386	33	No	
	Winter tyres	215/65 R 16 98T/H	6 ¹ / ₂ J x 16 ⇒ page 382	33	Yes	

Tyre pressures are printed on the tyre inflation pressure label, which can be found on the inside of the tank flap and on the driver's B-pillar.

38.2 Tiguan, type 5N, model year 2012

Appendix to certificate statement 8107901308

The certificate statement can be found on the Volkswagen ServiceNet under Accessories/Tyres, Wheels and Tyres, Wheels and Tyres Guide.

Type approval number: e1*2001/116*0450*11

Overview

Model engine output	Tyres	Tyre size	Wheel rim	Off-set in mm	Snow chains	Remarks
2.0l 81 kW TDI diesel engine	Standard tyres	215/65 R 16 98T	6 ¹ / ₂ J x 16 ⇒ page 382	33	Yes	General information on: ♦ Winter tyres ⇒ page 14 ♦ Snow chains ⇒ page 17



Model engine output	Tyres	Tyre size	Wheel rim	Off-set in mm	Snow chains	Remarks
2.0l 100 kW TDI 2.0l 103 kW TDI 2.0l 125 kW TDI diesel engine 1.4l 90 kW 1.4l 110 kW 1.4l 118 kW 2.0l 132 kW petrol engines	Modification	215/60 R 17 96T	6 ¹ / ₂ J x 17 ⇒ page 384	33	Yes	Tyre makes recommended by Volkswagen: ◆ Summer tyres ⇒ page 479 ◆ All-season tyres ⇒ page 488 ◆ Winter tyres ⇒ page 499 * 255/40 R 19 96H and 9 J x 19 offset 33 wheel and tyre combination is permitted only on vehicles with sports running gear and wheel housing extensions.
		235/55 R 17 99T	7 J x 17 ⇒ page 384	43	No	
		235/50 R 18 97T	7 J x 18 ⇒ page 385	43	No	
		255/40 R 19 96T * ⇒ page 381	9 J x 19 ⇒ page 386	33	No	
	Winter tyres	215/65 R 16 98T/H	6 ¹ / ₂ J x 16 ⇒ page 382	33	Yes	
	Standard tyres	215/65 R 16 98H	6 ¹ / ₂ J x 16 ⇒ page 382	33	Yes	
	Modification	215/60 R 17 96H	6 ¹ / ₂ J x 17 ⇒ page 384	33	Yes	
		235/55 R 17 99H	7 J x 17 ⇒ page 384	43	No	
		235/50 R 18 97H	7 J x 18 ⇒ page 385	43	No	
		255/40 R 19 96H * ⇒ page 381	9 J x 19 ⇒ page 386	33	No	* 255/40 R 19 96H and 9 J x 19 offset 33 wheel and tyre combination is permitted only on vehicles with sports running gear and wheel housing extensions.
Winter tyres	215/65 R 16 98T/H	6 ¹ / ₂ J x 16 ⇒ page 382	33	Yes		
2.0l 155 kW petrol engine	Standard tyres	215/65 R 16 98V	6 ¹ / ₂ J x 16 ⇒ page 382	33	Yes	



Model engine output	Tyres	Tyre size	Wheel rim	Off-set in mm	Snow chains	Remarks
	Modification	215/60 R 17 96V	6 ¹ / ₂ J x 17 ⇒ page 384	33	Yes	* 255/40 R 19 96H and 9 J x 19 offset 33 wheel and tyre combination is permitted only on vehicles with sports running gear and wheel housing extensions.
		235/55 R 17 99V	7 J x 17 ⇒ page 384	43	No	
		235/50 R 18 97V	7 J x 18 ⇒ page 385	43	No	
		255/40 R 19 96V* ⇒ page 382	9 J x 19 ⇒ page 386	33	No	
	Winter tyres	215/65 R 16 98H/V	6 ¹ / ₂ J x 16 ⇒ page 382	33	Yes	

Tyre pressures are printed on the tyre inflation pressure label, which can be found on the inside of the tank flap and on the driver's B-pillar.

38.3 Wheel allocation for Tiguan, type 5N model year 2008 to model year 2012

Explanation of information on wheels ⇒ [page 49](#)

Torque settings for wheel bolts ⇒ Running gear, axles, steering; Rep. gr. 44 ; Torque settings for fitting wheels

Pitch circle diameter: 112 mm

Number of wheel bolt holes: 5

38.3.1 6 1/2 J x 16

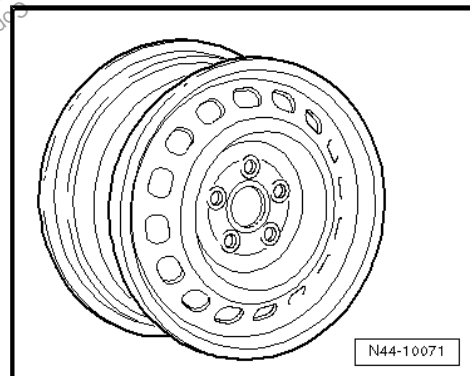


Caution

Observe the allocation of wheels and tyres to the respective engines, which are listed in the overview table ⇒ [page 379](#).

5N0 601 027 B - Wheel and tyre combination ⇒ [page 379](#)

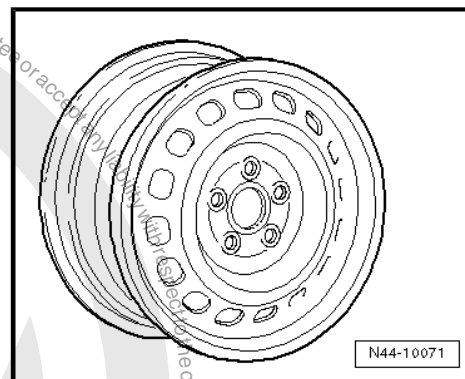
Size:	6 1/2 J x 16
Wheel offset in mm:	33
Wheel load in kg:	625





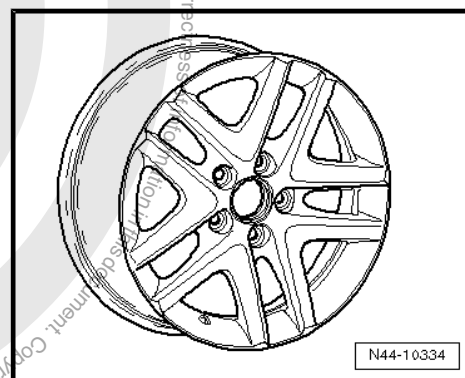
7N0 601 027 A, 7N0 601 027 K - Wheel and tyre combination
 ⇒ [page 379](#)

Size:	6 1/2 J x 16
Wheel offset in mm:	33
Wheel load in kg:	675



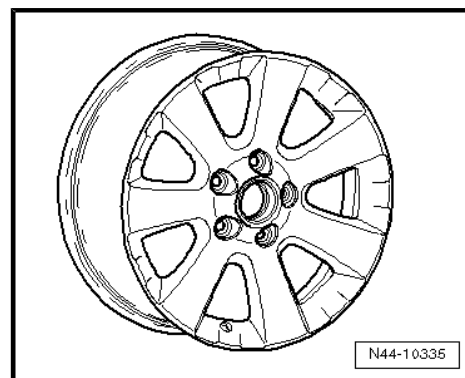
5N0 601 025 - Wheel and tyre combination ⇒ [page 379](#)

Size:	6 1/2 J x 16
Wheel offset in mm:	33
Wheel load in kg:	625



5N0 601 025 A - Wheel and tyre combination ⇒ [page 379](#)

Size:	6 1/2 J x 16
Wheel offset in mm:	33
Wheel load in kg:	625



5N0 601 025 R - Wheel and tyre combination ⇒ [page 379](#)

Size:	6 1/2 J x 16
Wheel offset in mm:	33
Wheel load in kg:	625

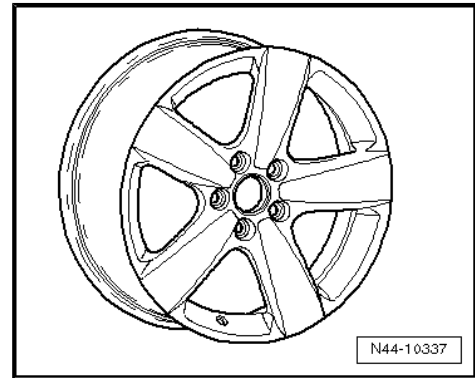




38.3.2 6¹/₂ J x 17

5N0 601 025 L - Wheel and tyre combination ⇒ [page 380](#)

Size:	6 ¹ / ₂ J x 17
Wheel offset in mm:	33
Wheel load in kg:	625



38.3.3 7 J x 17

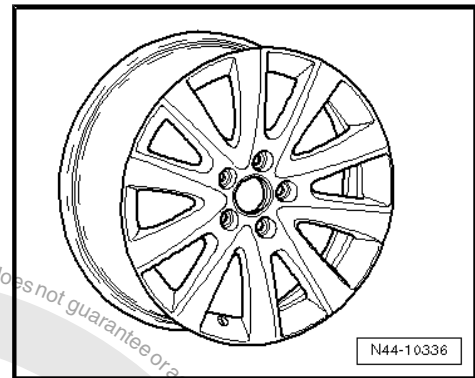


Caution

Observe the allocation of wheels and tyres to the respective engines, which are listed in the overview table ⇒ [page 379](#).

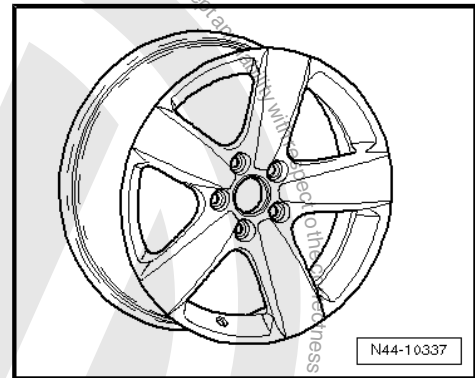
5N0 601,025 B - Wheel and tyre combination ⇒ [page 380](#)

Size:	7 J x 17
Wheel offset in mm:	43
Wheel load in kg:	625



5N0 601 025 C - Wheel and tyre combination ⇒ [page 380](#)

Size:	7 J x 17
Wheel offset in mm:	43
Wheel load in kg:	625





5N0 601 025 M - Wheel and tyre combination ⇒ page 380

Size:	7 J x 17
Wheel offset in mm:	43
Wheel load in kg:	625



5N0 601 025 P - Wheel and tyre combination ⇒ page 380

Size:	7 J x 17
Wheel offset in mm:	43
Wheel load in kg:	620




5N0 601 025 S - Wheel and tyre combination ⇒ page 380

Size:	7 J x 17
Wheel offset in mm:	43
Wheel load in kg:	620



38.3.4 7 J x 18

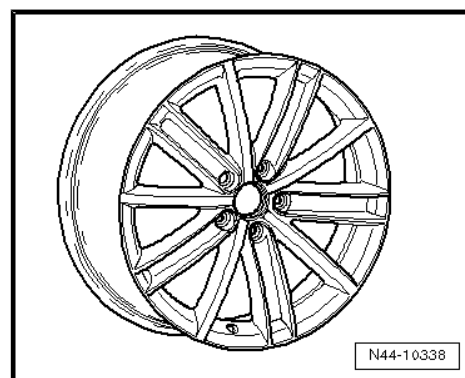


Caution

Observe the allocation of wheels and tyres to the respective engines, which are listed in the overview table ⇒ page 379.

5N0 601 025 D - Wheel and tyre combination ⇒ page 380

Size:	7 J x 18
Wheel offset in mm:	43
Wheel load in kg:	625





5N0 601 025 Q - Wheel and tyre combination ⇒ page 380

Size:	7 J x 18
Wheel offset in mm:	43
Wheel load in kg:	650



38.3.5 9 J x 19



Caution

Observe the allocation of wheels and tyres to the respective engines, which are listed in the overview table ⇒ page 379 .

5N0 601 025 G - Wheel and tyre combination ⇒ page 380

Only for vehicles with sports suspension and wheel housing extensions

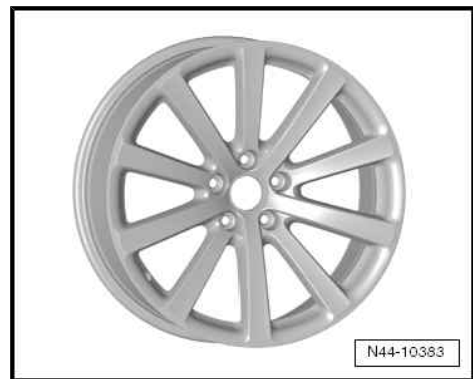
Size:	9 J x 19
Wheel offset in mm:	33
Wheel load in kg:	650



5N0 601 025 K - Wheel and tyre combination ⇒ page 380

Only for vehicles with sports suspension and wheel housing extensions

Size:	9 J x 19
Wheel offset in mm:	33
Wheel load in kg:	650






39 Eos from model year 2006

General

Volkswagen vehicles are built according to the latest findings in safety engineering. To keep it that way, we recommend the use of only genuine Volkswagen spare parts. You can recognise this by the VW Audi logo and by the part number. It has been established that these parts are reliable, safe and suitable.

Despite constant appraisal of the market, we cannot assess other products on these points, even when in isolated cases they have been passed by official inspectors or have been granted official approval. Therefore, we cannot, of course, assume any liability if these products are installed.




WARNING

The products from Volkswagen genuine parts and Volkswagen accessories may differ in fitting requirements, torque specifications and so on.

Always follow the respective fitting and operating instructions.

The wheel and tyre combinations or changes listed in the vehicle tables refer exclusively to Volkswagen Genuine wheels. Approval of wheel and tyre combinations or a change to wheels from the accessories trade is not possible with the certificate statement attached here.



WARNING

The fitting instructions and torque specifications for wheels from Volkswagen accessories may differ from those intended for wheels from Volkswagen genuine parts.

Therefore, always observe the torque settings for the wheel bolts as well as the respective fitting and operating instructions.

39.1 Eos, type 1F from model year 2006

Appendix to certificate statement 8107901069

The certificate statement can be found on the Volkswagen ServiceNet under Accessories/Tyres, Wheels and Tyres, Wheels and Tyres Guide.

Type Approval No.: e1*2001/116*0349*00 to
e1*2001/116*0349*03

Overview

Model engine output	Tyres	Tyre size	Wheel rim	Off-set in mm	Snow chains	Remarks
2.0l 103 kW diesel engine	Standard tyres	215/55 R 16 93V	7 J x 16 ⇒ page 392	45	No	General information on: ◆ Winter tyres ⇒ page 14 ◆ Snow chains ⇒ page 17
	Modification	235/45 R 17 94V	7 ¹ / ₂ J x 17 ⇒ page 395	47	No	Tyre makes recommended by Volkswagen:



Model engine output	Tyres	Tyre size	Wheel rim	Off-set in mm	Snow chains	Remarks
		235/40 R 18 91V* ⇒ page 388	8 J x 18 ⇒ page 398	44	No	<ul style="list-style-type: none"> ◆ Summer tyres ⇒ page 480 ◆ All-season tyres ⇒ page 488 ◆ Winter tyres ⇒ page 499
	Winter tyres	205/55 R 16 91T/H	6 ¹ / ₂ J x 16 ⇒ page 391	42	Yes	
			205/50 R 17 93T/H	6 x 17 ⇒ page 394	45	Yes
1.6l 85 kW; 2.0l 110 kW; petrol engine,	Standard tyres	215/55 R 16 93V	7 J x 16 ⇒ page 392	45	No	
	Modification	235/45 R 17 94V	7 ¹ / ₂ J x 17 ⇒ page 395	47	No	
		235/40 R 18 91V* ⇒ page 388	8 J x 18 ⇒ page 398	44	No	
	Winter tyres	205/55 R 16 91T/H	6 ¹ / ₂ J x 16 ⇒ page 391	42	Yes	
		205/50 R 17 89T/H	6 x 17 ⇒ page 394	45	Yes	
2.0l 147 kW petrol engine	Standard tyres	215/55 R 16 93W	7 J x 16 ⇒ page 392	45	No	
	Modification	235/45 R 17 94W	7 ¹ / ₂ J x 17 ⇒ page 395	47	No	
		235/40 R 18 91W* ⇒ page 388	8 J x 18 ⇒ page 398	44	No	
	Winter tyres	205/55 R 16 91T/H	6 ¹ / ₂ J x 16 ⇒ page 391	42	Yes	
		205/50 R 17 93T/H	6 x 17 ⇒ page 394	45	Yes	

Tyre pressures are printed on the tyre inflation pressure label, which can be found on the inside of the tank flap and on the driver's B-pillar.

39.2 Eos, type 1F model year 2007 to model year 2012

Appendix to certificate statement 8107901069



The parts certificate can be found on the Volkswagen ServiceNet under Accessories/Tyres, Wheels and Tyres, Wheels and Tyres Guide.

Type Approval No.: e1*2001/116*0349*04 to e1*2001/116*0349*15

Overview

Model engine output	Tyres	Tyre size	Wheel rim	Off-set in mm	Snow chains	Remarks
2,0l 100 kW; 2,0l 103 kW diesel engine	Standard tyres	215/55 R 16 93H	7 J x 16 ⇒ page 392	45	No	General information on: ◆ Winter tyres ⇒ page 14 ◆ Snow chains ⇒ page 17
	Modification	205/55 R 16 91H	6 ¹ / ₂ J x 16 ⇒ page 391	42	Yes	
		235/45 R 17 94H	7 ¹ / ₂ J x 17 ⇒ page 395	47	No	
		235/40 R 18 91H* ⇒ page 389	8 J x 18 ⇒ page 398	44	No	
	Winter tyres	205/55 R 16 91T/H	6 ¹ / ₂ J x 16 ⇒ page 391	42	Yes	
		205/50 R 17 93T/H	6 x 17 ⇒ page 394	45	Yes	
1.4l 90 kW; 1.6l 85 kW petrol engines;	Standard tyres	215/55 R 16 93H	7 J x 16 ⇒ page 392	45	No	* 235/40 R 18 tyres on 8 J x 18 rims with an offset of of 44 are only possible if the specified conditions ⇒ page 399 are met!
	Modification	205/55 R 16 91H	6 ¹ / ₂ J x 16 ⇒ page 391	42	Yes	
		235/45 R 17 94H	7 ¹ / ₂ J x 17 ⇒ page 395	47	No	
		235/40 R 18 91H* ⇒ page 389	8 J x 18 ⇒ page 398	44	No	
	Winter tyres	205/55 R 16 91T/H	6 ¹ / ₂ J x 16 ⇒ page 391	42	Yes	



Model engine output	Tyres	Tyre size	Wheel rim	Off-set in mm	Snow chains	Remarks
		205/50 R 17 89T/H	6 x 17 ⇒ page 394	45	Yes	
2.0l 110 kW 1.4l 118 kW petrol engine	Standard tyres	215/55 R 16 93V	7 J x 16 ⇒ page 392	45	No	* 235/40 R 18 tyres on 8 J x 18 rims with an offset of of 44 are only possible if the specified conditions ⇒ page 399 are met!
	Modification	205/55 R 16 91V	6 ¹ / ₂ J x 16 ⇒ page 391	42	Yes	
		235/45 R 17 94V	7 ¹ / ₂ J x 17 ⇒ page 395	47	No	
		235/40 R 18 91V* ⇒ page 390	8 J x 18 ⇒ page 398	44	No	
	Winter tyres	205/55 R 16 91T/H	6 ¹ / ₂ J x 16 ⇒ page 391	42	Yes	
		205/50 R 17 89T/H	6 x 17 ⇒ page 394	45	Yes	
2.0l 147 kW; 2.0l 155 kW petrol engine	Standard tyres	215/55 R 16 93V	7 J x 16 ⇒ page 392	45	No	* 235/40 R 18 tyres on 8 J x 18 rims with an offset of of 44 are only possible if the specified conditions ⇒ page 399 are met!
	Modification	205/55 R 16 91V	6 ¹ / ₂ J x 16 ⇒ page 391	42	Yes	
		235/45 R 17 94V	7 ¹ / ₂ J x 17 ⇒ page 395	47	No	
		235/40 R 18 91V* ⇒ page 390	8 J x 18 ⇒ page 398	44	No	
	Winter tyres	205/55 R 16 91T/H	6 ¹ / ₂ J x 16 ⇒ page 391	42	Yes	
		205/50 R 17 93T/H	6 x 17 ⇒ page 394	45	Yes	
3.2l 184 kW petrol engine	Standard tyres	235/45 R 17 94W	7 ¹ / ₂ J x 17 ⇒ page 395	47	No	** The 16 inch rims do not fit on vehicles with a 17 inch braking system (brake disc diameter: 345 mm)
	Modification	205/55 R 16 91W** ⇒ page 390	6 ¹ / ₂ J x 16 ⇒ page 391	42	Yes	



Model engine output	Tyres	Tyre size	Wheel rim	Off-set in mm	Snow chains	Remarks
		215/55 R 16 93W** ⇒ page 390	7 J x 16 ⇒ page 392	45	No	* 235/40 R 18 tyres on 8 J x 18 rims with an offset of of 44 are only possible if the specified conditions ⇒ page 399 are met!
		235/40 R 18 95W* ⇒ page 391	8 J x 18 ⇒ page 398	44	No	
	Winter tyres	205/50 R 17 93T/H/V	6 J x 17 ⇒ page 394	45	Yes	
3.6l 191 kW petrol engine	Standard tyres	235/45 R 17 94W	7 ¹ / ₂ J x 17 ⇒ page 395	47	No	* 235/40 R 18 tyres on 8 J x 18 rims with an offset of of 44 are only possible if the specified conditions ⇒ page 399 are met!
	Modification	235/40 R 18 95W* ⇒ page 391	8 J x 18 ⇒ page 398	44	No	
	Winter tyres	205/50 R 17 93T/H/V	6 J x 17 ⇒ page 394	45	Yes	

Tyre pressures are printed on the tyre inflation pressure label, which can be found on the inside of the tank flap and on the driver's B-pillar.

39.3 Wheel allocation for Eos, type 1F model year 2006 to model year 2012


Explanation of information on wheels ⇒ [page 49](#)

Torque settings for wheel bolts ⇒ Running gear, axles, steering;
Rep. gr. 44 ; Torque settings for fitting wheels

Pitch circle diameter: 112 mm

Number of wheel bolt holes: 5

39.3.1 6¹/₂ J x 16



Caution

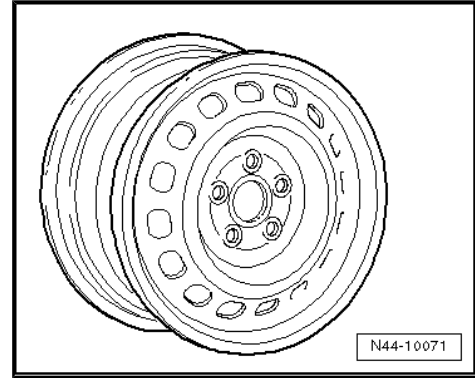
Observe the allocation of wheels and tyres to the respective engines, which are listed in the overview table ⇒ [page 387](#) .



3C0 601 027 H, 3C0 601 027 AH - Wheel and tyre combination
⇒ [page 388](#)

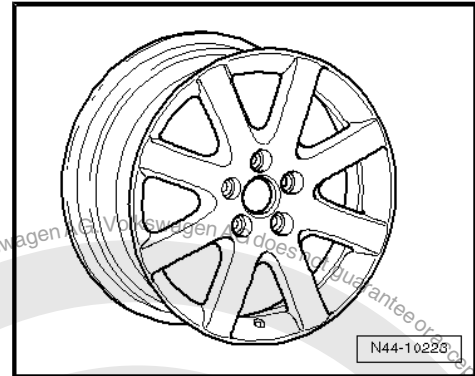
Size:	6 ¹ / ₂ J x 16
Wheel offset in mm:	42
Wheel load in kg:	650

Winter wheel



3C0 601 025 F - Wheel and tyre combination ⇒ [page 388](#)

Size:	6 ¹ / ₂ J x 16
Wheel offset in mm:	42
Wheel load in kg:	650



Winter wheel

3AA 601 025 J - Wheel and tyre combination ⇒ [page 388](#)

Size:	6 ¹ / ₂ J x 16
Wheel offset in mm:	42
Wheel load in kg:	615



39.3.2 7 J x 16

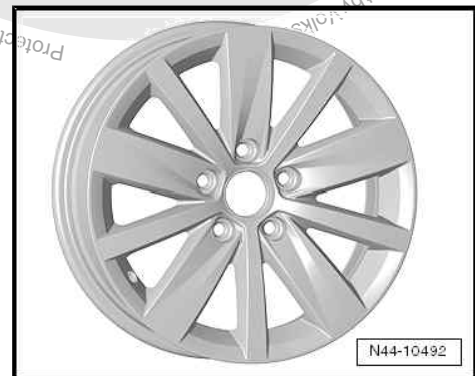


Caution

Observe the allocation of wheels and tyres to the respective engines, which are listed in the overview table ⇒ [page 387](#).

3AA 601 025 - Wheel and tyre combination ⇒ [page 387](#)

Size:	7 J x 16
Wheel offset in mm:	45
Wheel load in kg:	615





3AA 601 025 A - Wheel and tyre combination ⇒ page 387

Size:	7 J x 16
Wheel offset in mm:	45
Wheel load in kg:	615



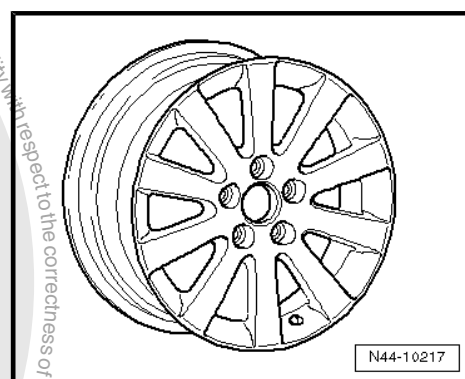
3AA 601 025 B - Wheel and tyre combination ⇒ page 387

Size:	7 J x 16
Wheel offset in mm:	45
Wheel load in kg:	615



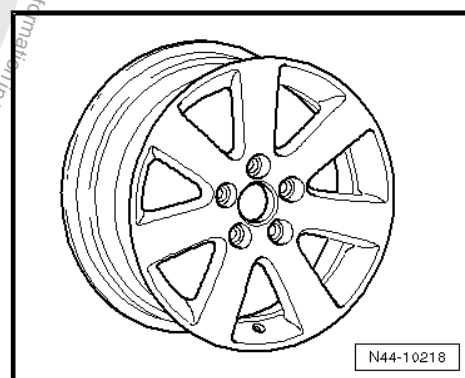
3C0 601 025 - Wheel and tyre combination ⇒ page 387

Size:	7 J x 16
Wheel offset in mm:	45
Wheel load in kg:	650



3C0 601 025 A - Wheel and tyre combination ⇒ page 387

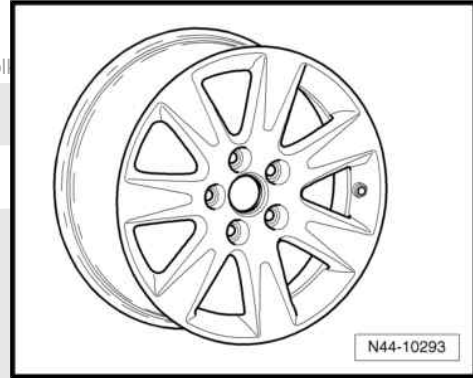
Size:	7 J x 16
Wheel offset in mm:	45
Wheel load in kg:	650





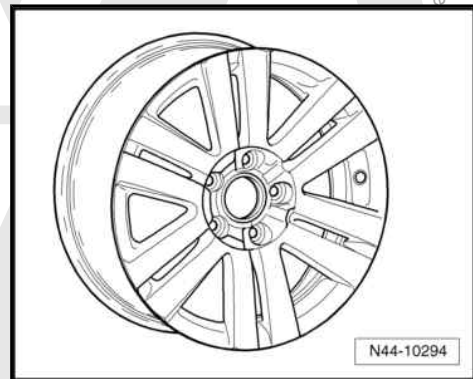
3C0 601 025 AE - Wheel and tyre combination ⇒ page 387

Size:	7 J x 16
Wheel offset in mm:	45
Wheel load in kg:	650



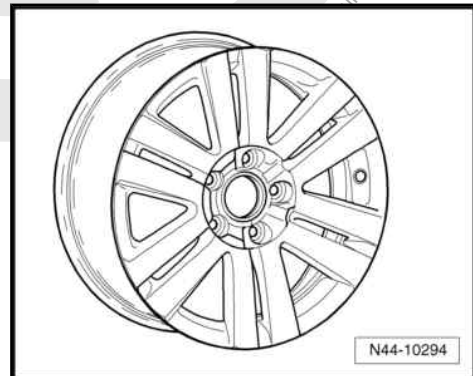
3C0 601 025 AF - Wheel and tyre combination ⇒ page 387

Size:	7 J x 16
Wheel offset in mm:	45
Wheel load in kg:	650



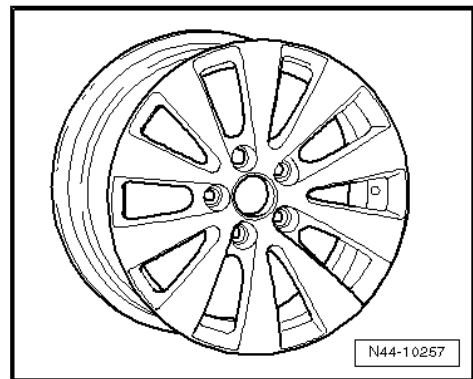
3C0 601 025 B - Wheel and tyre combination ⇒ page 387

Size:	7 J x 16
Wheel offset in mm:	45
Wheel load in kg:	650



3C0 601 025 C - Wheel and tyre combination ⇒ page 387

Size:	7 J x 16 EH2 ⇒ page 49
Wheel offset in mm:	45
Wheel load in kg:	650



39.3.3 6 J x 17



Caution

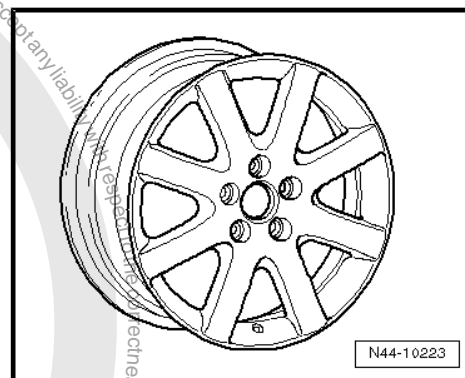
Observe the allocation of wheels and tyres to the respective engines, which are listed in the overview table ⇒ page 387.



Winter wheel

3C0 601 025 M - Wheel and tyre combination ⇒ page 388

Size:	6 J x 17
Wheel offset in mm:	45
Wheel load in kg:	650



39.3.4 7¹/₂ J x 17

	Caution
<i>Observe the allocation of wheels and tyres to the respective engines, which are listed in the overview table ⇒ page 387 .</i>	

3AA 601 025 C - Wheel and tyre combination ⇒ page 387

Size:	7 ¹ / ₂ J x 17
Wheel offset in mm:	47
Wheel load in kg:	640



3AA 601 025 E - Wheel and tyre combination ⇒ page 387

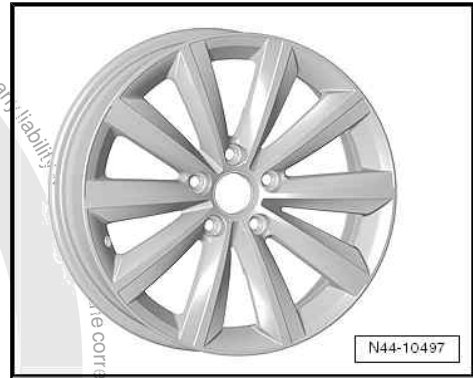
Size:	7 ¹ / ₂ J x 17
Wheel offset in mm:	47
Wheel load in kg:	640





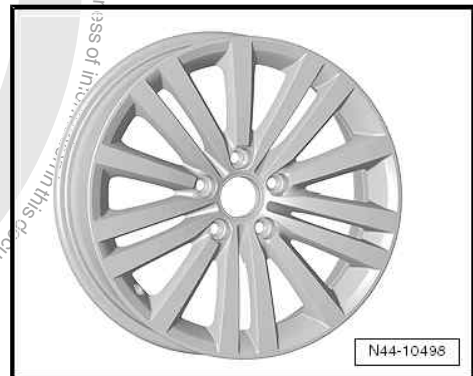
3AA 601 025 F - Wheel and tyre combination ⇒ [page 387](#)

Size:	7 ¹ / ₂ J x 17
Wheel offset in mm:	47
Wheel load in kg:	640



3AA 601 025 G - Wheel and tyre combination ⇒ [page 387](#)

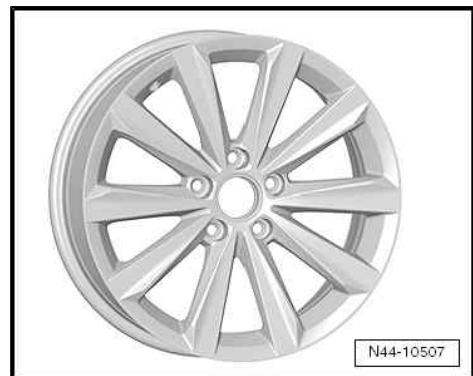
Size:	7 ¹ / ₂ J x 17
Wheel offset in mm:	47
Wheel load in kg:	640



1Q0 601 025 B - Wheel and tyre combination ⇒ [page 387](#)

Only vehicles with sports running gear

Size:	7 ¹ / ₂ J x 17
Wheel offset in mm:	47
Wheel load in kg:	650



3C0 601 025 BB - Wheel and tyre combination ⇒ [page 387](#)

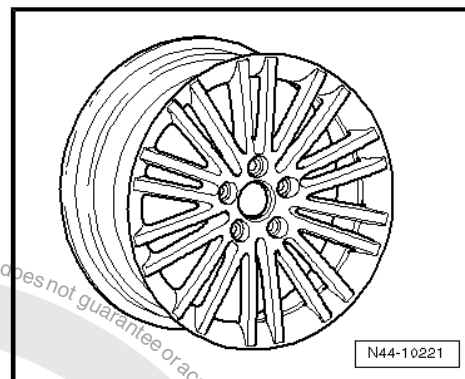
Size:	7 ¹ / ₂ J x 17
Wheel offset in mm:	47
Wheel load in kg:	650





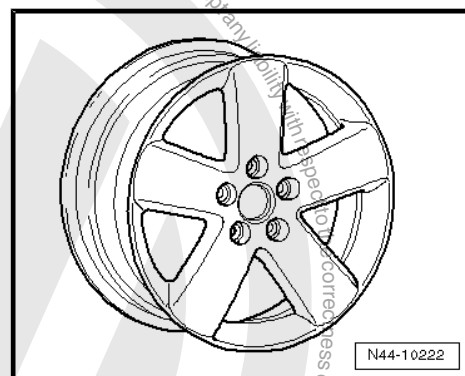
3C0 601 025 D - Wheel and tyre combination ⇒ page 387

Size:	7 ¹ / ₂ J x 17
Wheel offset in mm:	47
Wheel load in kg:	650



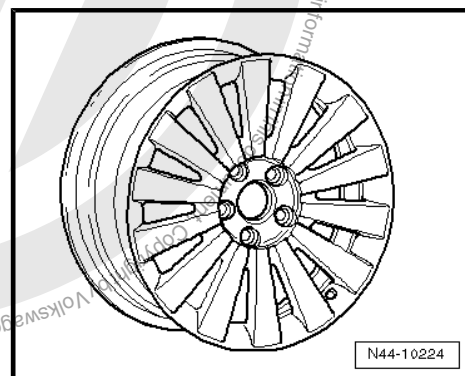
3C0 601 025 E - Wheel and tyre combination ⇒ page 387

Size:	7 ¹ / ₂ J x 17
Wheel offset in mm:	47
Wheel load in kg:	650



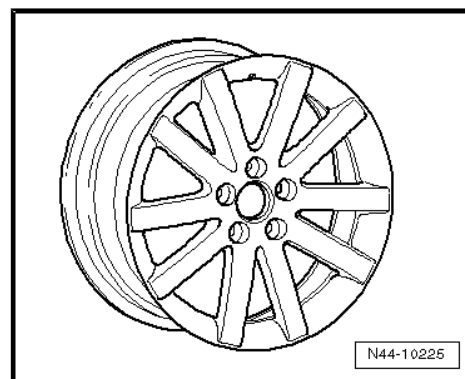
3C0 601 025 G - Wheel and tyre combination ⇒ page 387

Size:	7 ¹ / ₂ J x 17
Wheel offset in mm:	47
Wheel load in kg:	650



3C0 601 025 J - Wheel and tyre combination ⇒ page 387

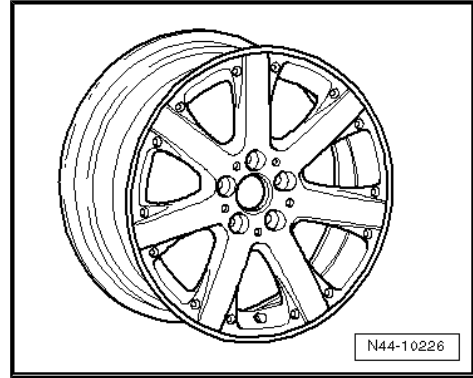
Size:	7 ¹ / ₂ J x 17
Wheel offset in mm:	47
Wheel load in kg:	650





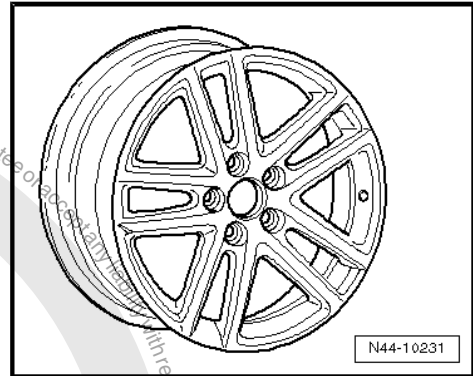
3C0 601 025 K - Wheel and tyre combination ⇒ page 387

Size:	7 ¹ / ₂ J x 17
Wheel offset in mm:	47
Wheel load in kg:	650



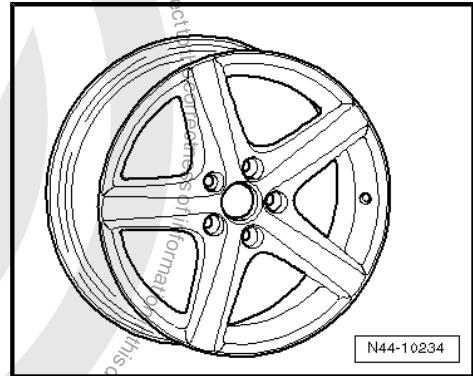
3C0 601 025 R - Wheel and tyre combination ⇒ page 387

Size:	7 ¹ / ₂ J x 17
Wheel offset in mm:	47
Wheel load in kg:	650



3C0 601 025 S, 3C0 601 025 AQ - Wheel and tyre combination ⇒ page 387

Size:	7 ¹ / ₂ J x 17
Wheel offset in mm:	47
Wheel load in kg:	650



39.3.5 8 J x 18



Caution

Observe the allocation of wheels and tyres to the respective engines, which are listed in the overview table ⇒ page 387 .



Caution

8 J x 18 wheels can only be fitted under the following conditions:

- **Either the standard running gear for 18" wheels (PR. no. front axle G07; rear axle 1JK), see Service schedule/data sheet, must be installed on the front and rear axles or spring travel limiters with Volkswagen accessories part number 000.071.501/A. In both cases the rear axle camber must be set to -1°45'.**
- **Additionally wheel housing extensions (flaps) ⇒ page 4 must be fitted ⇒ Electronic parts catalogue „ETKA“ - with the exception of Germany, where trims may be left off with TÜV examination No. 1342/05.**

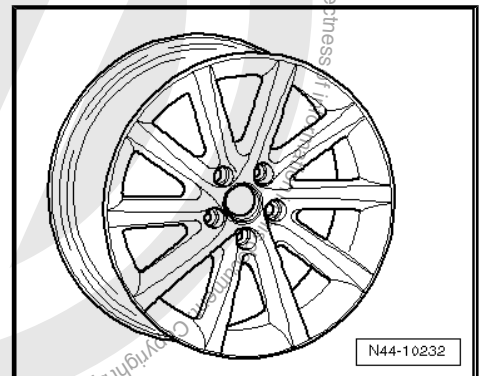
3AA 601 025 L - Wheel and tyre combination ⇒ page 388

Size:	8 J x 18
Wheel offset in mm:	44
Wheel load in kg:	650



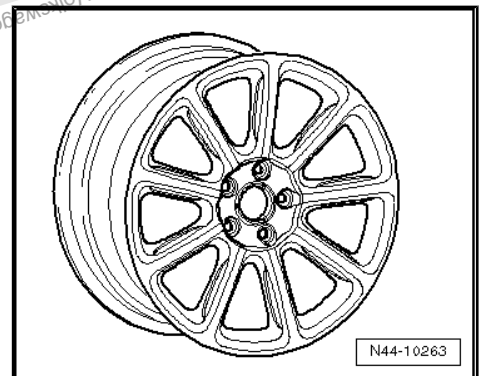
3C0 601 025 AA, 3C0 601 025 BA - Wheel and tyre combination ⇒ page 388

Size:	8 J x 18
Wheel offset in mm:	44
Wheel load in kg:	650



3C0 601 025 AC - Wheel and tyre combination ⇒ page 388

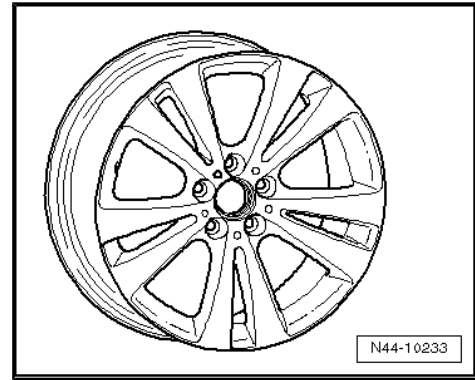
Size:	8 J x 18
Wheel offset in mm:	44
Wheel load in kg:	650





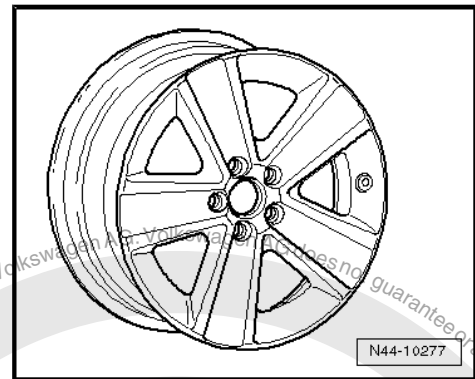
3C0 601 025 T, 3C0 601 025 AN - Wheel and tyre combination
⇒ [page 388](#)

Size:	8 J x 18
Wheel offset in mm:	44
Wheel load in kg:	650



3C0 601 025 AB, 3C0 601 025 AP - Wheel and tyre combination
⇒ [page 388](#)

Size:	8 J x 18
Wheel offset in mm:	44
Wheel load in kg:	650



Protected by copyright. Copying for private or commercial purposes, in part or in whole, is not permitted unless authorised by Volkswagen AG. Volkswagen AG has no guarantee or accept any liability with respect to the correctness of information in this document. Copyright by Volkswagen AG.



40 Passat saloon from model year 2011

General

Volkswagen vehicles are built according to the latest findings in safety engineering. To keep it that way, we recommend the use of only genuine Volkswagen spare parts. You can recognise this by the VW Audi logo and by the part number. It has been established that these parts are reliable, safe and suitable.

Despite constant appraisal of the market, we cannot assess other products on these points, even when in isolated cases they have been passed by official inspectors or have been granted official approval. Therefore, we cannot, of course, assume any liability if these products are installed.



WARNING

The products from Volkswagen genuine parts and Volkswagen accessories may differ in fitting requirements, torque specifications and so on.

Always follow the respective fitting and operating instructions.

The wheel and tyre combinations or changes listed in the vehicle tables refer exclusively to Volkswagen Genuine wheels. Approval of wheel and tyre combinations or a change to wheels from the accessories trade is not possible with the certificate statement attached here.



WARNING

The fitting instructions and torque specifications for wheels from Volkswagen accessories may differ from those intended for wheels from Volkswagen genuine parts.

Therefore, always observe the torque settings for the wheel bolts as well as the respective fitting and operating instructions.

40.1 Passat saloon, sales type 362 model year 2011 to model year 2012



Caution

The Passat will be listed according to the sales types and not by the type approval model codes.

The type approval model code and the associated type approval number are listed as follows.



Caution

*Observe wheel and tyre combinations for vehicles as of type approval number: e1*2001/116*0307*25 ⇒ [page 404](#) .*

Passat saloon, type approval code 3C

Appendix to certificate statement 8107901233

The certificate statement can be found on the Volkswagen ServiceNet under Accessories/Tyres, Wheels and Tyres, Wheels and Tyres Guide.



Type Approval No.: e1*2001/116*0307*24

Overview

Model engine output	Tyres	Tyre size	Wheel rim	Offset in mm	Snow chains	Remarks	
1.4l 90 kW petrol engine	Standard tyres	205/55 R 16 91H	6 ¹ / ₂ J x 16 ⇒ page 407	42	Yes	General information on: ♦ Winter tyres ⇒ page 14 ♦ Snow chains ⇒ page 17 Tyre makes recommended by Volkswagen: ♦ Summer tyres ⇒ page 480 ♦ All-season tyres ⇒ page 489 ♦ Winter tyres ⇒ page 499	
1.6l 77 kW TDI diesel engine	Modification	215/55 R 16 93H/V ¹⁾	6 ¹ / ₂ J x 16 ⇒ page 407	42	No		
		205/55 R 16 91H/V	7 J x 16 ⇒ page 407	45	No		
		215/55 R 16 93H/V ¹⁾	7 J x 16 ⇒ page 407	45	No		
		205/50 R 17 93H/V	6 J x 17 ⇒ page 408	45	Yes		
		235/45 R 17 94H/V ³⁾	7 ¹ / ₂ J x 17 ⇒ page 409	47	No		
		235/40 R 18 91H/V/V ²⁾	8 J x 18 ⇒ page 410	44	No		
		Winter tyres	205/55 R 16 91Q/T/H/V	6 ¹ / ₂ J x 16 ⇒ page 407	42		Yes
		205/50 R 17 93Q/T/H/V	6 J x 17 ⇒ page 408	45	Yes		
1.8l 118 kW	Standard tyres	205/55 R 16 91V	6 ¹ / ₂ J x 16 ⇒ page 407	42	Yes		
1.4l 110 kW EcoFuel (natural gas CNG) 2.0l 100 kW TDI diesel engine	Modification	215/55 R 16 93V ¹⁾	6 ¹ / ₂ J x 16 ⇒ page 407	42	No		
		205/55 R 16 91V	7 J x 16 ⇒ page 407	45	No		
		215/55 R 16 93V ¹⁾	7 J x 16 ⇒ page 407	45	No		
		205/50 R 17 93V	6 J x 17 ⇒ page 408	45	Yes		



Model engine output	Tyres	Tyre size	Wheel rim	Off-set in mm	Snow chains	Remarks
		235/45 R 17 94V ³⁾	7 1/2 J x 17 ⇒ page 409	47	No	
		235/40 R 18 91V/W ²⁾	8 J x 18 ⇒ page 410	44	No	
	Winter tyres	205/55 R 16 91Q/T/H/ V	6 1/2 J x 16 ⇒ page 407	42	Yes	
		205/50 R 17 93Q/T/H/ V	6 J x 17 ⇒ page 408	45	Yes	
2.0l 103 kW TDI 2.0l 125 kW TDI diesel engines	Standard tyres	205/55 R 16 91V	6 1/2 J x 16 ⇒ page 407	42	Yes	For vehicles with 2.0l 103/125 kW TDI engine, the change in load index (LI) to 91 for 205/55 R 16 tyres applies with retrospective effect to type approval number e1*2001/116*0307*24. This has been authorised by the German office for motor vehicles (Kraftfahrt-Bundesamt) with „extract from EC approval number e1*2001/116*0307*25“. This extract must be kept in the vehicle by the respective vehicle operators if »LI 94« is indicated in the vehicle registration papers and tyres with »LI 91« are fitted on the vehicle. This extract can be found on the Volkswagen ServiceNet under Accessories/Tyres, Wheels and Tyres, Wheels and Tyres Guide, Certifying Statements.
	Modification	215/55 R 16 93V ¹⁾	6 1/2 J x 16 ⇒ page 407	42	No	
		205/55 R 16 91V	7 J x 16 ⇒ page 407	45	No	
		215/55 R 16 93V ¹⁾	7 J x 16 ⇒ page 407	45	No	
		205/50 R 17 93V	6 J x 17 ⇒ page 408	45	Yes	
		235/45 R 17 94V ³⁾	7 1/2 J x 17 ⇒ page 409	47	No	
		235/40 R 18 95V/W ²⁾	8 J x 18 ⇒ page 410	44	No	
	Winter tyres	205/55 R 16 91Q/T/H/ V	6 1/2 J x 16 ⇒ page 407	42	Yes	
		205/50 R 17 93Q/T/H/ V	6 J x 17 ⇒ page 408	45	Yes	

Note

Information regarding footnotes ¹⁾ to ³⁾: Tyre packages P0, P1 and P2 should be identified based on the vehicle version. See registration certificate part 1, section D.2, line 3 (version), items 14+15.

1) Only for vehicles with tyre package P1

2) Only for vehicles with tyre package P2



3) Only for vehicles with tyre package P0 or P2

Passat saloon, type approval code 3C

Appendix to certificate statement 8107901233

The certificate statement can be found on the Volkswagen ServiceNet under Accessories/Tyres, Wheels and Tyres, Wheels and Tyres Guide.

Type Approval No.: e1*2001/116*0307*25 to
e1*2001/116*0307*27

Overview

Model engine output	Tyres	Tyre size	Wheel rim	Offset in mm	Snow chains	Remarks	
1,4l 90 kW petrol engine	Standard tyres	205/55 R 16 91H	6 ¹ / ₂ J x 16 ⇒ page 407	42	Yes		
1,6l 77 kW TDI diesel engine	Modification	215/55 R 16 93H/V ¹⁾	6 ¹ / ₂ J x 16 ⇒ page 407	42	No	General information on: ◆ Winter tyres ⇒ page 14 ◆ Snow chains ⇒ page 17	
		205/55 R 16 91H/V	7 J x 16 ⇒ page 407	45	No		Tyre makes recommended by Volkswagen:
		215/55 R 16 93H/V ¹⁾	7 J x 16 ⇒ page 407	45	No		
		205/50 R 17 93H/V	6 J x 17 ⇒ page 408	45	Yes		
		205/50 R 17 93H/V	6 ¹ / ₂ J x 17 ⇒ page 409	42	Yes		
		235/45 R 17 94H/V ³⁾	7 ¹ / ₂ J x 17 ⇒ page 409	47	No		Tyre makes recommended by Volkswagen: ◆ Summer tyres ⇒ page 480 ◆ All-season tyres ⇒ page 489 ◆ Winter tyres ⇒ page 499
		235/40 R 18 91H/V/W ²⁾	8 J x 18 ⇒ page 410	44	No		
			Winter tyres	205/55 R 16 91Q/T/H/V	6 ¹ / ₂ J x 16 ⇒ page 407		42
			205/50 R 17 93Q/T/H/V	6 J x 17 ⇒ page 408	45	Yes	



Model engine output	Tyres	Tyre size	Wheel rim	Off-set in mm	Snow chains	Remarks
		205/50 R 17 93Q/T/H/V	6 ¹ / ₂ J x 17 ⇒ page 409	42	Yes	
1.8l 118 kW	Standard tyres	205/55 R 16 91V	6 ¹ / ₂ J x 16 ⇒ page 407	42	Yes	
1.4l 110 kW EcoFuel (natural gas CNG)	Modification	215/55 R 16 93V ¹⁾	6 ¹ / ₂ J x 16 ⇒ page 407	42	No	
2.0l 100 kW TDI 2.0l 103 kW TDI 2.0l 125 kW TDI diesel engines		205/55 R 16 91V	7 J x 16 ⇒ page 407	45	No	
1.4 l 118 kW FlexFuel (bioethanol E85)		215/55 R 16 93V ¹⁾	7 J x 16 ⇒ page 407	45	No	
		205/50 R 17 93V	6 J x 17 ⇒ page 408	45	Yes	
		205/50 R 17 93V	6 ¹ / ₂ J x 17 ⇒ page 409	42	Yes	
		235/45 R 17 94V ³⁾	7 ¹ / ₂ J x 17 ⇒ page 409	47	No	
		235/40 R 18 91V/W ²⁾	8 J x 18 ⇒ page 410	44	No	
	Winter tyres	205/55 R 16 91Q/T/H/V	6 ¹ / ₂ J x 16 ⇒ page 407	42	Yes	
		205/50 R 17 93Q/T/H/V	6 J x 17 ⇒ page 408	45	Yes	
		205/50 R 17 93Q/T/H/V	6 ¹ / ₂ J x 17 ⇒ page 409	42	Yes	
2,0 l 155 kW petrol engine	Standard tyres	215/55 R 16 93W	6 ¹ / ₂ J x 16 ⇒ page 407	42	No	
	Modification	215/55 R 16 93W	7 J x 16 ⇒ page 407	45	No	
		205/50 R 17 93W	6 J x 17 ⇒ page 408	45	Yes	
		205/50 R 17 93W	6 ¹ / ₂ J x 17 ⇒ page 409	42	Yes	
		235/45 R 17 94W	7 ¹ / ₂ J x 17 ⇒ page 409	47	No	



Model engine output	Tyres	Tyre size	Wheel rim	Off-set in mm	Snow chains	Remarks
		235/40 R 18 91Y ²⁾	8 J x 18 ⇒ page 410	44	No	
		235/40 R 18 95W ²⁾	8 J x 18 ⇒ page 410	44	No	
	Winter tyres	205/50 R 17 93Q/T/H/ V	6 J x 17 ⇒ page 408	45	Yes	
		205/50 R 17 93Q/T/H/ V	6 ¹ / ₂ J x 17 ⇒ page 409	42	Yes	
3.6l V6 220 kW petrol engine	Standard tyres	235/40 R 18 95W ²⁾	8 J x 18 ⇒ page 410	44	No	
		235/45 R 17 94W ¹⁾	7 ¹ / ₂ J x 17 ⇒ page 409	47	No	
	Modification	205/50 R 17 93W	6 J x 17 ⇒ page 408	45	Yes	
		205/50 R 17 93W	6 ¹ / ₂ J x 17 ⇒ page 409	42	Yes	
	Winter tyres	205/50 R 17 93Q/T/H/ V/W	6 J x 17 ⇒ page 408	45	Yes	
		205/50 R 17 93Q/T/H/ V/W	6 ¹ / ₂ J x 17 ⇒ page 409	42	Yes	



Note

Information regarding footnotes ¹⁾ to ³⁾: Tyre packages P0, P1 and P2 should be identified based on the vehicle version. See registration certificate part 1, section D.2, line 3 (version), items 14+15.

- 1) Only for vehicles with tyre package P1
- 2) Only for vehicles with tyre package P2
- 3) Only for vehicles with tyre package P0 or P2

40.2 Wheel allocation Passat saloon, sales type 362 model year 2011 to model year 2012

Explanation of information on wheels ⇒ [page 49](#)


Torque settings for wheel bolts ⇒ Running gear, axles, steering;
Rep. gr. 44 ; Torque settings for fitting wheels

Pitch circle diameter: 112 mm

Number of wheel bolt holes: 5



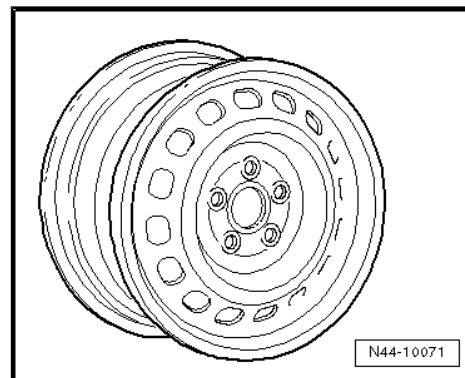
40.2.1 6¹/₂ J x 16

 **Caution**
Observe the allocation of wheels and tyres to the respective engines, which are listed in the overview table ⇒ [page 402](#).

3C0 601 027 AH, 3C0 601 027 AJ - Wheel and tyre combination ⇒ [page 402](#)

Size:	6 ¹ / ₂ J x 16
Wheel offset in mm:	42
Wheel load in kg:	650

Winter wheel




3AA 601 025 J - Wheel and tyre combination ⇒ [page 402](#)

Size:	6 ¹ / ₂ J x 16
Wheel offset in mm:	42
Wheel load in kg:	615

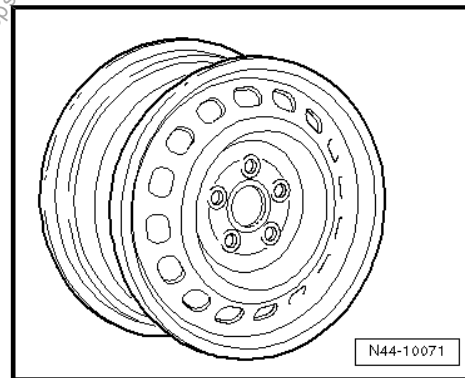


40.2.2 7 J x 16

 **Caution**
Observe the allocation of wheels and tyres to the respective engines, which are listed in the overview table ⇒ [page 402](#).

3C0 601 027 M - Wheel and tyre combination ⇒ [page 402](#)

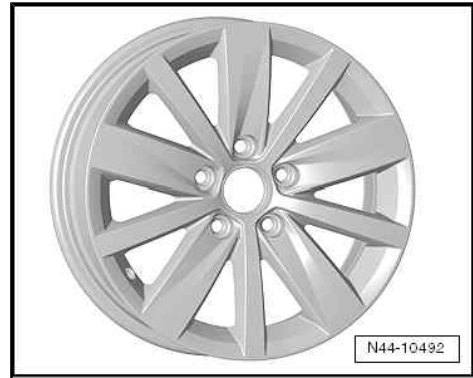
Size:	7 J x 16
Wheel offset in mm:	45
Wheel load in kg:	650





3AA 601 025 - Wheel and tyre combination ⇒ page 402

Size:	7 J x 16
Wheel offset in mm:	45
Wheel load in kg:	615



3AA 601 025 A - Wheel and tyre combination ⇒ page 402

Size:	7 J x 16
Wheel offset in mm:	45
Wheel load in kg:	615



3AA 601 025 B - Wheel and tyre combination ⇒ page 402

Size:	7 J x 16
Wheel offset in mm:	45
Wheel load in kg:	615



40.2.3 6 J x 17



Caution

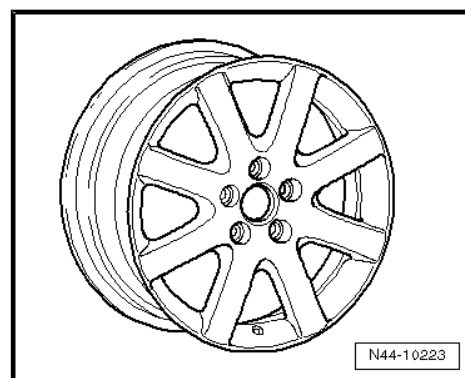
Observe the allocation of wheels and tyres to the respective engines, which are listed in the overview table ⇒ page 402 .




Winter wheel

3C0 601 025 M - Wheel and tyre combination ⇒ page 402

Size:	6 J x 17
Wheel offset in mm:	45
Wheel load in kg:	650



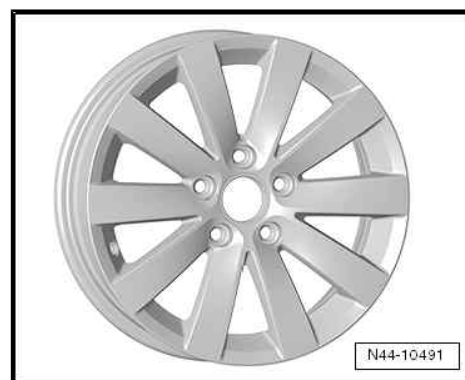
40.2.4 6¹/₂ J x 17

	<p>Caution</p> <p><i>Observe the allocation of wheels and tyres to the respective engines, which are listed in the overview table ⇒ page 402 .</i></p>
---	---


Winter wheel

3AA 601 025 K - Wheel and tyre combination ⇒ page 415

Size:	6 ¹ / ₂ J x 17
Wheel offset in mm:	42
Wheel load in kg:	640



40.2.5 7¹/₂ J x 17

	<p>Caution</p> <p><i>Observe the allocation of wheels and tyres to the respective engines, which are listed in the overview table ⇒ page 402 .</i></p>
---	---

3AA 601 025 C - Wheel and tyre combination ⇒ page 402

Size:	7 ¹ / ₂ J x 17
Wheel offset in mm:	47
Wheel load in kg:	640





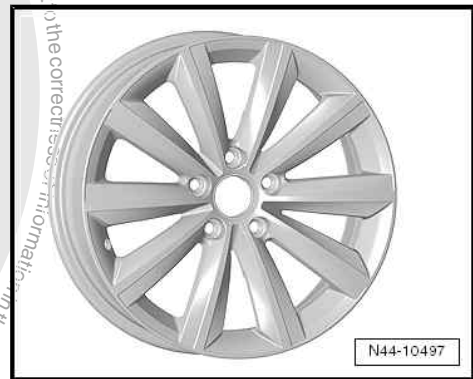
3AA 601 025 E - Wheel and tyre combination ⇒ page 402

Size:	7 1/2 J x 17
Wheel offset in mm:	47
Wheel load in kg:	640



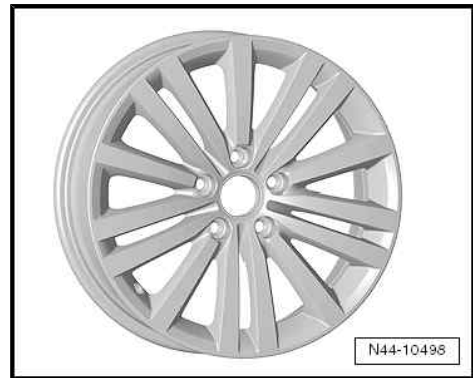
3AA 601 025 F - Wheel and tyre combination ⇒ page 402

Size:	7 1/2 J x 17
Wheel offset in mm:	47
Wheel load in kg:	640



3AA 601 025 G - Wheel and tyre combination ⇒ page 402

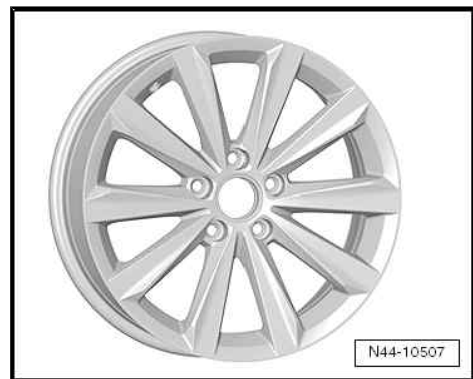
Size:	7 1/2 J x 17
Wheel offset in mm:	47
Wheel load in kg:	640



1Q0 601 025 B - Wheel and tyre combination ⇒ page 402

Only vehicles with sports running gear

Size:	7 1/2 J x 17
Wheel offset in mm:	47
Wheel load in kg:	650



40.2.6 8 J x 18



Caution

Observe the allocation of wheels and tyres to the respective engines, which are listed in the overview table ⇒ page 402.



Caution

8 J x 18 wheels can only be fitted under the following conditions:

- *The vehicle must have either a sports running gear with approx. 15 mm lowered suspension, or it must be equipped on the front and rear axles with spring travel limiters or spring travel limiters with Volkswagen accessories part number 000.071.501/A. In both cases the rear axle camber must be set to -1°45'.*
- *Wider wheel arches (FLAPS) ⇒ [page 4](#) must be installed in addition ⇒ Electronic parts catalogue „ETKA“.*

3AA 601 025 H - Wheel and tyre combination ⇒ [page 402](#)

Size:	8 J x 18
Wheel offset in mm:	44
Wheel load in kg:	640



3AA 601 025 L - Wheel and tyre combination ⇒ [page 402](#)

Size:	8 J x 18
Wheel offset in mm:	44
Wheel load in kg:	650





41 Passat Variant from model year 2011

General

Volkswagen vehicles are built according to the latest findings in safety engineering. To keep it that way, we recommend the use of only genuine Volkswagen spare parts. You can recognise this by the VW Audi logo and by the part number. It has been established that these parts are reliable, safe and suitable.

Despite constant appraisal of the market, we cannot assess other products on these points, even when in isolated cases they have been passed by official inspectors or have been granted official approval. Therefore, we cannot, of course, assume any liability if these products are installed.



WARNING

The products from Volkswagen genuine parts and Volkswagen accessories may differ in fitting requirements, torque specifications and so on.

Always follow the respective fitting and operating instructions.

The wheel and tyre combinations or changes listed in the vehicle tables refer exclusively to Volkswagen Genuine wheels. Approval of wheel and tyre combinations or a change to wheels from the accessories trade is not possible with the certificate statement attached here.



WARNING

The fitting instructions and torque specifications for wheels from Volkswagen accessories may differ from those intended for wheels from Volkswagen genuine parts.

Therefore, always observe the torque settings for the wheel bolts as well as the respective fitting and operating instructions.

41.1 Passat estate, sales type 365 model year 2011 to model year 2012



Caution

The Passat will be listed according to the sales types and not by the type approval model codes.

The type approval model code and the associated type approval number are listed as follows.



Caution

*Observe wheel and tyre combinations for vehicles as of type approval number: e1*2001/116*0307*25 ⇒ [page 415](#).*

Passat Variant, type approval code 3C

Appendix to certificate statement 8107901233

The certificate statement can be found on the Volkswagen ServiceNet under Accessories/Tyres, Wheels and Tyres, Wheels and Tyres Guide.



Type Approval No.: e1*2001/116*0307*24

Overview

Model engine output	Tyres	Tyre size	Wheel rim	Off-set in mm	Snow chains	Remarks
1,4l 90 kW petrol engine	Standard tyres	205/55 R 16 91H	6 ¹ / ₂ J x 16 ⇒ page 417	42	Yes	General information on: ♦ Winter tyres ⇒ page 14 ♦ Snow chains ⇒ page 17 Tyre makes recommended by Volkswagen: ♦ Summer tyres ⇒ page 481 ♦ All-season tyres ⇒ page 489 ♦ Winter tyres ⇒ page 499
1,6l 77 kW TDI 2.0l 100 kW TDI diesel engine	Modification	215/55 R 16 93H/V ¹⁾	6 ¹ / ₂ J x 16 ⇒ page 417	42	No	
		205/55 R 16 91H/V	7 J x 16 ⇒ page 418	45	No	
		215/55 R 16 93H/V ¹⁾	7 J x 16 ⇒ page 418	45	No	
		205/50 R 17 93H/V	6 J x 17 ⇒ page 419	45	Yes	
		235/45 R 17 94H/V ³⁾	7 ¹ / ₂ J x 17 ⇒ page 420	47	No	
		235/40 R 18 91H/V/W ²⁾	8 J x 18 ⇒ page 421	44	No	
		Winter tyres	205/55 R 16 91Q/T/H/V	6 ¹ / ₂ J x 16 ⇒ page 417	42	
	205/50 R 17 93Q/T/H/V	6 J x 17 ⇒ page 419	45	Yes		
1.8l 118 kW	Standard tyres	205/55 R 16 91V	6 ¹ / ₂ J x 16 ⇒ page 417	42	Yes	
1.4l 110 kW EcoFuel (natural gas CNG) 2.0l 103 kW TDI diesel engine	Modification	215/55 R 16 93V ¹⁾	6 ¹ / ₂ J x 16 ⇒ page 417	42	No	
		205/55 R 16 91V	7 J x 16 ⇒ page 418	45	No	
		215/55 R 16 93V ¹⁾	7 J x 16 ⇒ page 418	45	No	
		205/50 R 17 93V	6 J x 17 ⇒ page 419	45	Yes	
		235/45 R 17 94V ³⁾	7 ¹ / ₂ J x 17 ⇒ page 420	47	No	
		235/40 R 18 91V/W ²⁾	8 J x 18 ⇒ page 421	44	No	



Model engine output	Tyres	Tyre size	Wheel rim	Off-set in mm	Snow chains	Remarks
	Winter tyres	205/55 R 16 91Q/T/H/V	6 ¹ / ₂ J x 16 ⇒ page 417	42	Yes	For vehicles with a 2.0l 125 kW TDI engine, the change in load index (LI) to 91 for 205/55 R 16 tyres applies with retrospective effect to type approval number e1*2001/116*0307*24. This has been authorised by the German office for motor vehicles (Kraftfahrt-Bundesamt) with „extract from EC approval number e1*2001/116*0307*25“. This extract must be kept in the vehicle by the respective vehicle operators if »LI 94« is indicated in the vehicle registration papers and tyres with »LI 91« are fitted on the vehicle. This extract can be found on the Volkswagen ServiceNet under Accessories/Tyres, Wheels and Tyres, Wheels and Tyres Guide, Certifying Statements.
		205/50 R 17 93Q/T/H/V	6 J x 17 ⇒ page 419	45	Yes	
2.0l 125 kW TDI diesel engine	Standard tyres	205/55 R 16 91V	6 ¹ / ₂ J x 16 ⇒ page 417	42	Yes	
		Modification	215/55 R 16 93V ¹⁾	6 ¹ / ₂ J x 16 ⇒ page 417	42	
	205/55 R 16 91V	7 J x 16 ⇒ page 418	45	No		
	215/55 R 16 93V ¹⁾	7 J x 16 ⇒ page 418	45	No		
	205/50 R 17 93V	6 J x 17 ⇒ page 419	45	Yes		
	235/45 R 17 94V ³⁾	7 ¹ / ₂ J x 17 ⇒ page 420	47	No		
	235/40 R 18 95V/W ²⁾	8 J x 18 ⇒ page 421	44	No		
Winter tyres	205/55 R 16 91Q/T/H/V	6 ¹ / ₂ J x 16 ⇒ page 417	42	Yes		
	205/50 R 17 93Q/T/H/V	6 J x 17 ⇒ page 419	45	Yes		



Note

Information regarding footnotes ¹⁾ to ³⁾: Tyre packages P0, P1 and P2 should be identified based on the vehicle version. See registration certificate part 1, section D.2, line 3 (version), items 14+15.

- 1) Only for vehicles with tyre package P1
- 2) Only for vehicles with tyre package P2
- 3) Only for vehicles with tyre package P0 or P2

Passat Variant, type approval code 3C

Appendix to certificate statement 8107901233



The certificate statement can be found on the Volkswagen ServiceNet under Accessories/Tyres, Wheels and Tyres, Wheels and Tyres Guide.

Type Approval No.: e1*2001/116*0307*25 to e1*2001/116*0307*27

Overview

Model engine output	Tyres	Tyre size	Wheel rim	Off-set in mm	Snow chains	Remarks	
1,4l 90 kW petrol engine 1,6l 77 kW TDI diesel engine	Standard tyres	205/55 R 16 91H	6 ¹ / ₂ J x 16 ⇒ page 417	42	Yes	General information on: ◆ Winter tyres ⇒ page 14 ◆ Snow chains ⇒ page 17 Tyre makes recommended by Volkswagen: ◆ Summer tyres ⇒ page 481 ◆ All-season tyres ⇒ page 489 ◆ Winter tyres ⇒ page 499	
	Modification	215/55 R 16 93H/V ¹⁾	6 ¹ / ₂ J x 16 ⇒ page 417	42	No		
		205/55 R 16 91H/V	7 J x 16 ⇒ page 418	45	No		
		215/55 R 16 93H/V ¹⁾	7 J x 16 ⇒ page 418	45	No		
		205/50 R 17 93H/V	6 J x 17 ⇒ page 419	45	Yes		
		205/50 R 17 93H/V	6 ¹ / ₂ J x 17 ⇒ page 419	42	Yes		
		235/45 R 17 94H/V ³⁾	7 ¹ / ₂ J x 17 ⇒ page 420	47	No		
		235/40 R 18 91H/V/W ²⁾	8 J x 18 ⇒ page 421	44	No		
		Winter tyres	205/55 R 16 91Q/T/H/V	6 ¹ / ₂ J x 16 ⇒ page 417	42		Yes
	205/50 R 17 93Q/T/H/V		6 J x 17 ⇒ page 419	45	Yes		
	205/50 R 17 93Q/T/H/V		6 ¹ / ₂ J x 17 ⇒ page 417	42	Yes		
	1,8l 118 kW 1,4l 110 kW EcoFuel (natural gas CNG) 2,0l 100 kW TDI 2,0l 103 kW TDI 2,0l 125 kW TDI diesel engines	Standard tyres	205/55 R 16 91V	6 ¹ / ₂ J x 16 ⇒ page 417	42		Yes
		Modification	215/55 R 16 93V ¹⁾	6 ¹ / ₂ J x 16 ⇒ page 417	42		No
205/55 R 16 91V			7 J x 16 ⇒ page 418	45	No		



Model engine output	Tyres	Tyre size	Wheel rim	Off-set in mm	Snow chains	Remarks
1.4 l 118 kW FlexFuel (bioethanol E85)		215/55 R 16 93V ¹⁾	7 J x 16 ≙ page 418	45	No	
		205/50 R 17 93V	6 J x 17 ≙ page 419	45	Yes	
		205/50 R 17 93V	6 ¹ / ₂ J x 17 ≙ page 419	42	Yes	
		235/45 R 17 94V ³⁾	7 ¹ / ₂ J x 17 ≙ page 420	47	No	
		235/40 R 18 91V/W ²⁾	8 J x 18 ≙ page 421	44	No	
	Winter tyres	205/55 R 16 91Q/T/H/V	6 ¹ / ₂ J x 16 ≙ page 417	42	Yes	
		205/50 R 17 93Q/T/H/V	6 J x 17 ≙ page 419	45	Yes	
		205/50 R 17 93Q/T/H/V	6 ¹ / ₂ J x 17 ≙ page 419	42	Yes	
	2,0 l 155 kW petrol engine	Standard tyres	215/55 R 16 93W	6 ¹ / ₂ J x 16 ≙ page 417	42	No
Modification		215/55 R 16 93W	7 J x 16 ≙ page 418	45	No	
		205/50 R 17 93W	6 J x 17 ≙ page 419	45	Yes	
		205/50 R 17 93W	6 ¹ / ₂ J x 17 ≙ page 419	42	Yes	
		235/45 R 17 94W	7 ¹ / ₂ J x 17 ≙ page 420	47	No	
		235/40 R 18 91Y ²⁾	8 J x 18 ≙ page 421	44	No	
		235/40 R 18 95W ²⁾	8 J x 18 ≙ page 421	44	No	
		Winter tyres	205/50 R 17 93Q/T/H/V	6 J x 17 ≙ page 419	45	Yes
		205/50 R 17 93Q/T/H/V	6 ¹ / ₂ J x 17 ≙ page 419	42	Yes	
3.6l V6 220 kW; petrol engine		Standard tyres	235/40 R 18 95W ²⁾	8 J x 18 ≙ page 421	44	No



Model engine output	Tyres	Tyre size	Wheel rim	Off-set in mm	Snow chains	Remarks
		235/45 R 17 94W ¹	7 ¹ / ₂ J x 17 ⇒ page 420	47	No	
	Modification	205/50 R 17 93W	6 J x 17 ⇒ page 419	45	Yes	
		205/50 R 17 93W	6 ¹ / ₂ J x 17 ⇒ page 419	42	Yes	
	Winter tyres	205/50 R 17 93Q/T/H/ V/W	6 J x 17 ⇒ page 419	45	Yes	
		205/50 R 17 93Q/T/H/ V/W	6 ¹ / ₂ J x 17 ⇒ page 419	42	Yes	



Note

Information regarding footnotes ¹⁾ to ³⁾: Tyre packages P0, P1 and P2 should be identified based on the vehicle version. See registration certificate part 1, section D.2, line 3 (version), items 14+15.

- 1) Only for vehicles with tyre package P1
- 2) Only for vehicles with tyre package P2
- 3) Only for vehicles with tyre package P0 or P2

41.2 Wheel allocation **Passat estate, sales type 365 model year 2011 to model year 2012**

Explanation of information on wheels ⇒ [page 49](#)

Torque settings for wheel bolts ⇒ Running gear, axles, steering;
Rep. gr. 44 ; Torque settings for fitting wheels

Pitch circle diameter: 112 mm

Number of wheel bolt holes: 5

41.2.1 6¹/₂ J x 16



Caution

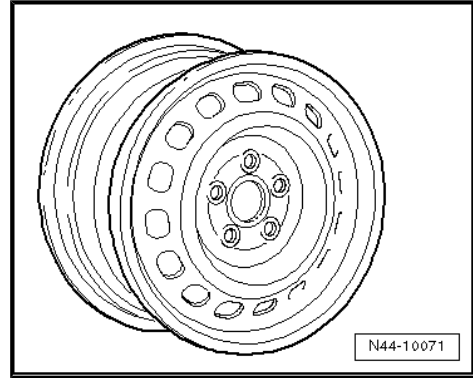
Observe the allocation of wheels and tyres to the respective engines, which are listed in the overview table ⇒ [page 413](#) .



3C0 601 027 AH, 3C0 601 027 AJ - Wheel and tyre combination
⇒ [page 413](#)

Size:	6 ¹ / ₂ J x 16
Wheel offset in mm:	42
Wheel load in kg:	650

Winter wheel



3AA 601 025 J - Wheel and tyre combination ⇒ [page 413](#)

Size:	6 ¹ / ₂ J x 16
Wheel offset in mm:	42
Wheel load in kg:	615



41.2.2 7 J x 16

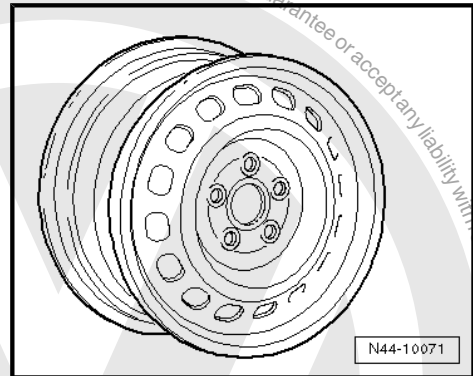


Caution

Observe the allocation of wheels and tyres to the respective engines, which are listed in the overview table ⇒ [page 413](#).

3C0 601 027 M - Wheel and tyre combination ⇒ [page 413](#)

Size:	7 J x 16
Wheel offset in mm:	45
Wheel load in kg:	650



3AA 601 025 - Wheel and tyre combination ⇒ [page 413](#)

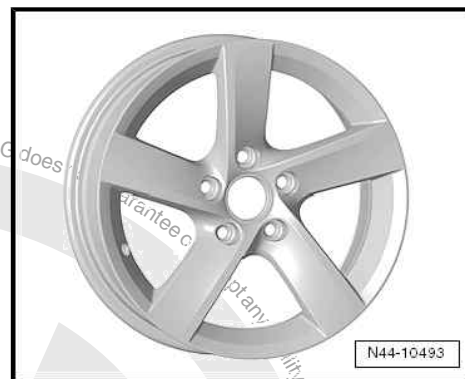
Size:	7 J x 16
Wheel offset in mm:	45
Wheel load in kg:	615





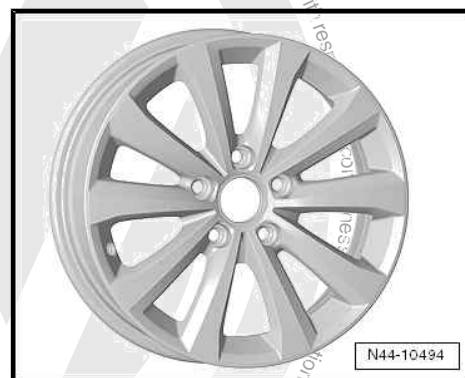
3AA 601 025 A - Wheel and tyre combination ⇒ page 413

Size:	7 J x 16
Wheel offset in mm:	45
Wheel load in kg:	615



3AA 601 025 B - Wheel and tyre combination ⇒ page 413

Size:	7 J x 16
Wheel offset in mm:	45
Wheel load in kg:	615



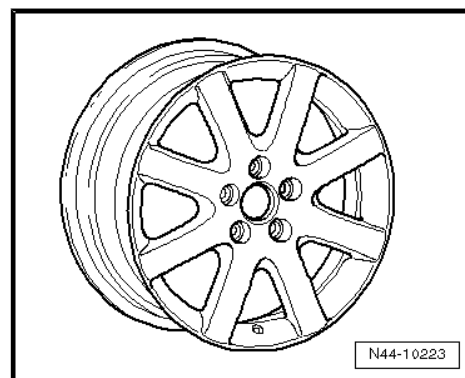
41.2.3 6 J x 17

Caution
 Observe the allocation of wheels and tyres to the respective engines, which are listed in the overview table ⇒ page 413 .

Winter wheel

3C0 601 025 M - Wheel and tyre combination ⇒ page 413

Size:	6 J x 17
Wheel offset in mm:	45
Wheel load in kg:	650



41.2.4 6¹/₂ J x 17

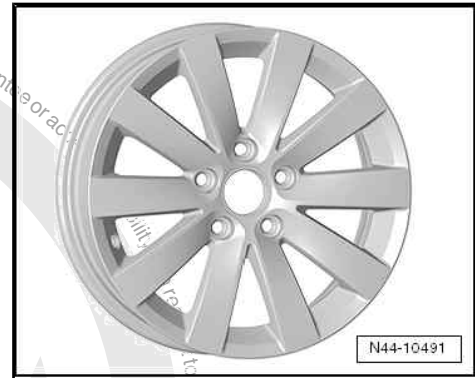
Caution
 Observe the allocation of wheels and tyres to the respective engines, which are listed in the overview table ⇒ page 413 .



Winter wheel

3AA 601 025 K - Wheel and tyre combination ⇒ page 415

Size:	6 ¹ / ₂ J x 17
Wheel offset in mm:	42
Wheel load in kg:	640



41.2.5 7¹/₂ J x 17



Caution

Observe the allocation of wheels and tyres to the respective engines, which are listed in the overview table ⇒ page 413 .

3AA 601 025 C - Wheel and tyre combination ⇒ page 413

Size:	7 ¹ / ₂ J x 17
Wheel offset in mm:	47
Wheel load in kg:	640



3AA 601 025 E - Wheel and tyre combination ⇒ page 413

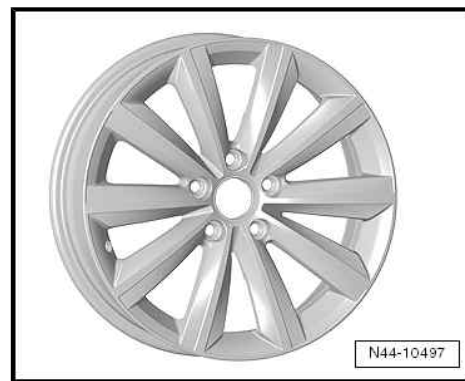
Size:	7 ¹ / ₂ J x 17
Wheel offset in mm:	47
Wheel load in kg:	640





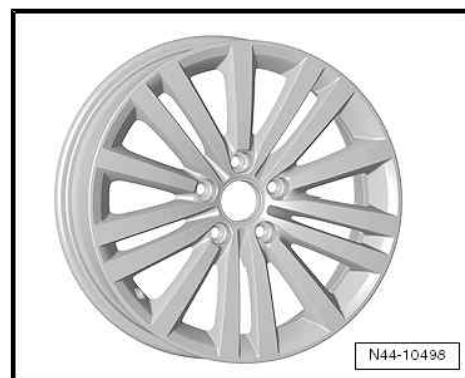
3AA 601 025 F - Wheel and tyre combination ⇒ page 413

Size:	7 ¹ / ₂ J x 17
Wheel offset in mm:	47
Wheel load in kg:	640



3AA 601 025 G - Wheel and tyre combination ⇒ page 413

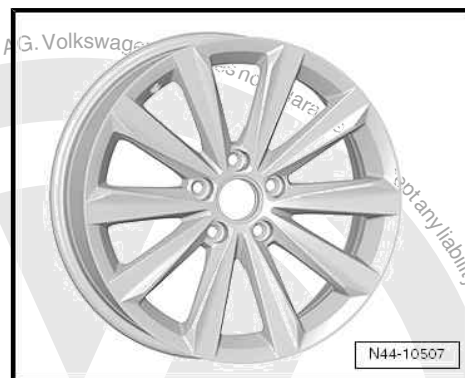
Size:	7 ¹ / ₂ J x 17
Wheel offset in mm:	47
Wheel load in kg:	640



1Q0 601 025 B - Wheel and tyre combination ⇒ page 413

Only vehicles with sports running gear

Size:	7 ¹ / ₂ J x 17
Wheel offset in mm:	47
Wheel load in kg:	650



41.2.6 8 J x 18



Caution

Observe the allocation of wheels and tyres to the respective engines, which are listed in the overview table ⇒ page 413 .



Caution

8 J x 18 wheels can only be fitted under the following conditions:

- *The vehicle must have either a sports running gear with approx. 15 mm lowered suspension, or it must be equipped on the front and rear axles with spring travel limiters or spring travel limiters with Volkswagen accessories part number 000.071.501/A. In both cases the rear axle camber must be set to -1°45'.*
- *Wider wheel arches (FLAPS) ⇒ [page 4](#) must be installed in addition ⇒ Electronic parts catalogue „ETKA“.*

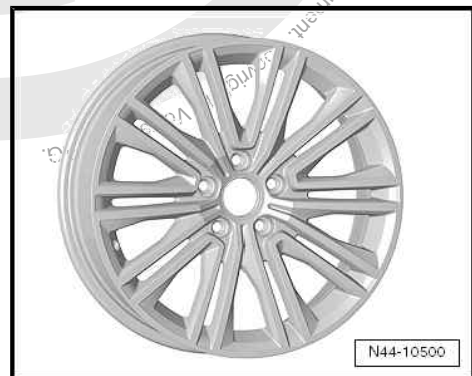
3AA 601 025 H - Wheel and tyre combination ⇒ [page 413](#)

Size:	8 J x 18
Wheel offset in mm:	44
Wheel load in kg:	640



3AA 601 025 L - Wheel and tyre combination ⇒ [page 413](#)

Size:	8 J x 18
Wheel offset in mm:	44
Wheel load in kg:	650





42 Passat CC from model year 2009, CC from model year 2010

General

Volkswagen vehicles are built according to the latest findings in safety engineering. To keep it that way, we recommend the use of only genuine Volkswagen spare parts. You can recognise this by the VW Audi logo and by the part number. It has been established that these parts are reliable, safe and suitable.

Despite constant appraisal of the market, we cannot assess other products on these points, even when in isolated cases they have been passed by official inspectors or have been granted official approval. Therefore, we cannot, of course, assume any liability if these products are installed.



WARNING

The products from Volkswagen genuine parts and Volkswagen accessories may differ in fitting requirements, torque specifications and so on.

Always follow the respective fitting and operating instructions.

The wheel and tyre combinations or changes listed in the vehicle tables refer exclusively to Volkswagen Genuine wheels. Approval of wheel and tyre combinations or a change to wheels from the accessories trade is not possible with the certificate statement attached here.



WARNING

The fitting instructions and torque specifications for wheels from Volkswagen accessories may differ from those intended for wheels from Volkswagen genuine parts.

Therefore, always observe the torque settings for the wheel bolts as well as the respective fitting and operating instructions.

42.1 Passat CC, sales type 357 model year 2009



Caution

The Passat CC will be listed according to the sales types and not by the type approval model codes.

The type approval model code and the associated type approval number are listed as follows.

Passat CC, type approval code 3CC

Appendix to certificate statement 8107901237

The certificate statement can be found on the Volkswagen ServiceNet under Accessories/Tyres, Wheels and Tyres, Wheels and Tyres Guide.



Type Approval No.: e1*2001/116*0468*00 to
e1*2001/116*0468*02

Overview

Model engine output	Tyres	Tyre size	Wheel rim	Off-set in mm	Snow chains	Remarks
1.8l 118 kW; petrol engine 2.0l 100 kW TDI 2.0l 103 kW TDI 2.0l 125 kW TDI diesel engines	Standard tyres	235/45 R 17 94V	8 J x 17 ⇒ page 427	41	No	General information on: ◆ Winter tyres ⇒ page 14 ◆ Snow chains ⇒ page 17 Tyre makes recommended by Volkswagen: ◆ Summer tyres ⇒ page 482 ◆ All-season tyres ⇒ page 489 ◆ Winter tyres ⇒ page 500
	Modification	235/40 R 18 95V	8 J x 18 ⇒ page 428	41	No	
	Winter tyres	205/50 R 17 93H/V	6 ¹ / ₂ J x 17 ⇒ page 426	39	Yes	
2.0l 147 kW; 3.6l 220 kW petrol engine	Standard tyres	235/45 R 17 94W	8 J x 17 ⇒ page 427	41	No	◆ * 235/40 R 18 95W tyres on 8 J x 18 rims with an offset of 44 may be used instead of 235/40 R 18 95Y tyres on 8 J x 18 rims with an offset of 44. Observe authorisation by Kraftfahrt-Bunde- santes (German road traffic au- thority) „Autho- rization of 95W tyres for Passat CC“. This is lo- cated on the Volks- wagen Service- Net under Acces- sories/Tyres, Wheels and Tyres, Wheels and Tyres Guide.
	Modification	235/40 R 18 95Y* ⇒ page 424	8 J x 18 ⇒ page 428	41	No	
	Winter tyres	205/50 R 17 93H/V	6 ¹ / ₂ J x 17 ⇒ page 426	39	Yes	

Tyre pressures are printed on the tyre inflation pressure label, which can be found on the inside of the tank flap and on the driver's B-pillar.



42.2 Passat CC, CC, sales type 357 model year 2010 to model year 2012



Caution

The CC will be listed according to the sales types and not by the type approval model codes.

The type approval model code and the associated type approval number are listed as follows.

CC, type approval code 3CC

Appendix to certificate statement 8107901237

The certificate statement can be found on the Volkswagen ServiceNet under Accessories/Tyres, Wheels and Tyres, Wheels and Tyres Guide.

Type approval number: e1*2001/116*0468*03 to e1*2001/116*0468*10

Overview

Model engine output	Tyres	Tyre size	Wheel rim	Off-set in mm	Snow chains	Remarks
1.8l 118 kW; petrol engine 2.0l 100 kW TDI 2.0l 103 kW TDI 2.0l 105 kW TDI 2.0l 125 kW TDI diesel engines	Standard tyres	235/45 R 17 94V	8 J x 17 ⇒ page 427	41	No	General information on: ◆ Winter tyres ⇒ page 14 ◆ Snow chains ⇒ page 17
	Modification	235/40 R 18 95V	8 J x 18 ⇒ page 428	41	No	Tyre makes recommended by Volkswagen: ◆ Summer tyres ⇒ page 482 ◆ All-season tyres ⇒ page 489 ◆ Winter tyres ⇒ page 500



Model engine output	Tyres	Tyre size	Wheel rim	Off-set in mm	Snow chains	Remarks
		235/35 R 19 91Y* ⇒ page 426	8 J x 19 ⇒ page 430	41	No	♦ * 235/35 R 19 91Y tyres on 8 J x 19 rims with an offset of 41 are only permitted on vehicles with sports running gear!
	Winter tyres	205/50 R 17 93H/V	6 ¹ / ₂ J x 17 ⇒ page 426	39	Yes	
2,0l 147 kW; 2,0l 155 kW; 3,6l 220 kW petrol engine	Standard tyres	235/45 R 17 94W	8 J x 17 ⇒ page 427	41	No	
	Modification	235/40 R 18 95W	8 J x 18 ⇒ page 428	41	No	
		235/35 R 19 91Y* ⇒ page 426	8 J x 19 ⇒ page 430	41	No	
	Winter tyres	205/50 R 17 93H/V	6 ¹ / ₂ J x 17 ⇒ page 426	39	Yes	

Tyre pressures are printed on the tyre inflation pressure label, which can be found on the inside of the tank flap and on the driver's B-pillar.

42.3 Wheel allocation Passat CC, CC, sales type 357 model year 2009 to model year 2012

Passat CC, CC type approval code 3CC


Explanation of information on wheels ⇒ [page 49](#)

Torque settings for wheel bolts ⇒ Running gear, axles, steering;
Rep. gr. 44 ; Torque settings for fitting wheels

Pitch circle diameter: 112 mm

Number of wheel bolt holes: 5

42.3.1 6¹/₂ J x 17



Caution

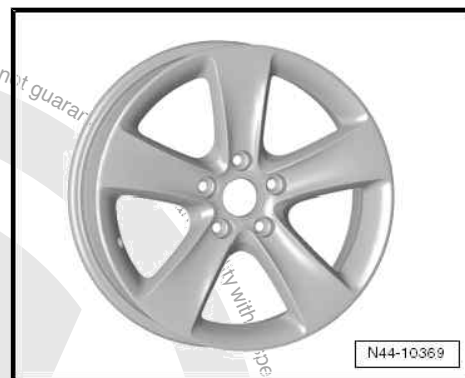
Observe the allocation of wheels and tyres to the respective engines, which are listed in the overview table ⇒ [page 424](#) .




Winter wheel

3C8 601 025 F - Wheel and tyre combination ⇒ page 424

Size:	6 ¹ / ₂ J x 17
Wheel offset in mm:	39
Wheel load in kg:	625

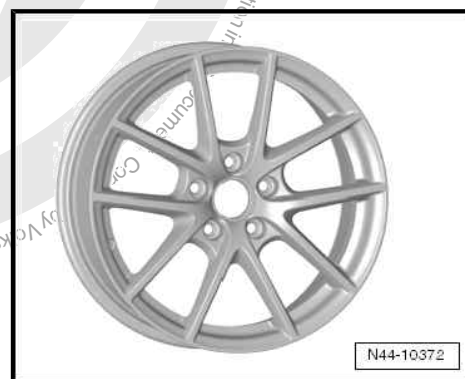


42.3.2 8 J x 17

 **Caution**
Observe the allocation of wheels and tyres to the respective engines, which are listed in the overview table ⇒ page 424 .

3C8 601 025 - Wheel and tyre combination ⇒ page 424

Size:	8 J x 17
Wheel offset in mm:	41
Wheel load in kg:	625



3C8 601 025 A - Wheel and tyre combination ⇒ page 424

Size:	8 J x 17
Wheel offset in mm:	41
Wheel load in kg:	625





3C8 601 025 K - Wheel and tyre combination ⇒ page 424

Size:	8 J x 17
Wheel offset in mm:	41
Wheel load in kg:	625



1K8 601 025 D - Wheel and tyre combination ⇒ page 424

Size:	8 J x 17
Wheel offset in mm:	41
Wheel load in kg:	650



3C8 601 025 Q - Wheel and tyre combination ⇒ page 424

Size:	8 J x 17
Wheel offset in mm:	41
Wheel load in kg:	625



42.3.3 8 J x 18



Caution

Observe the allocation of wheels and tyres to the respective engines, which are listed in the overview table ⇒ page 424 .

3C8 601 025 D - Wheel and tyre combination ⇒ page 424

Size:	8 J x 18
Wheel offset in mm:	41
Wheel load in kg:	625





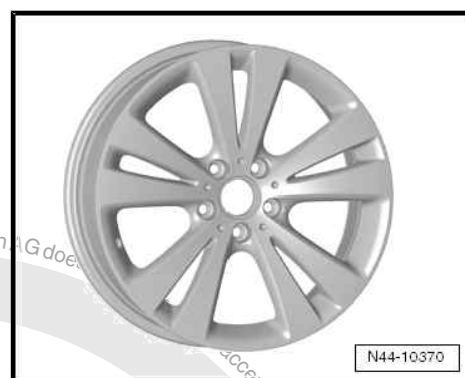
3C8 601 025 E - Wheel and tyre combination ⇒ page 424

Size:	8 J x 18
Wheel offset in mm:	41
Wheel load in kg:	625



3C8 601 025 G - Wheel and tyre combination ⇒ page 424

Size:	8 J x 18
Wheel offset in mm:	41
Wheel load in kg:	650



1K8 601 025 E - Wheel and tyre combination ⇒ page 424

Size:	8 J x 18
Wheel offset in mm:	41
Wheel load in kg:	650



3C8 601 025 P - Wheel and tyre combination ⇒ page 424

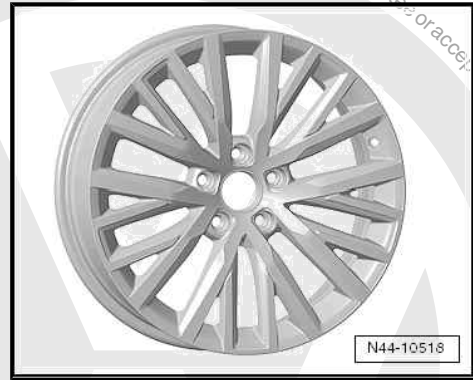
Size:	8 J x 18
Wheel offset in mm:	41
Wheel load in kg:	625





3C8 601 025 R - Wheel and tyre combination ⇒ [page 424](#)

Size:	8 J x 18
Wheel offset in mm:	41
Wheel load in kg:	625



42.3.4 8 J x 19



Caution

Observe the allocation of wheels and tyres to the respective engines, which are listed in the overview table ⇒ [page 424](#) .



WARNING

235/35 R 19 91Y and 8 J x 19 offset 41 wheel and tyre combination is permitted only on vehicles with sports running gear!

1K8 601 025 C - Wheel and tyre combination ⇒ [page 426](#)

Size:	8 J x 19
Wheel offset in mm:	41
Wheel load in kg:	650





43 Phaeton from model year 2003

General

Volkswagen vehicles are built according to the latest findings in safety engineering. To keep it that way, we recommend the use of only genuine Volkswagen spare parts. You can recognise this by the VW Audi logo and by the part number. It has been established that these parts are reliable, safe and suitable.

Despite constant appraisal of the market, we cannot assess other products on these points, even when in isolated cases they have been passed by official inspectors or have been granted official approval. Therefore, we cannot, of course, assume any liability if these products are installed.



WARNING

The products from Volkswagen genuine parts and Volkswagen accessories may differ in fitting requirements, torque specifications and so on.

Always follow the respective fitting and operating instructions.

The wheel and tyre combinations or changes listed in the vehicle tables refer exclusively to Volkswagen Genuine wheels. Approval of wheel and tyre combinations or a change to wheels from the accessories trade is not possible with the certificate statement attached here.



WARNING

The fitting instructions and torque specifications for wheels from Volkswagen accessories may differ from those intended for wheels from Volkswagen genuine parts.

Therefore, always observe the torque settings for the wheel bolts as well as the respective fitting and operating instructions.

43.1 Phaeton, type 3D, model year 2003 to model year 2009 - short and long wheelbase

Appendix to certificate statement 8107901242

The certificate statement can be found on the Volkswagen ServiceNet under Accessories/Tyres, Wheels and Tyres, Wheels and Tyres Guide.

Type Approval No.: e1*98/14*0189*00 to e1*98/14*0189*03

Type Approval No.: e1*2001/116*0189*04 to e1*2001/116*0189*14

Overview

Model engine output	Tyres	Tyre size	Wheel rim	Off-set in mm	Snow chains	Remarks
3.2l V6 177 kW front-wheel drive	Standard tyres	235/60 R 16 100Y	7 1/2 J x 16 ⇒ page 436	40	Yes	Snow chains: Only snow chains listed in ⇒ Electronic parts catalogue „ET-KA - Accessories catalogue“ are permissible!



Model engine output	Tyres	Tyre size	Wheel rim	Off-set in mm	Snow chains	Remarks
	Modification	235/55 R 17 99Y	7 ¹ / ₂ J x 17 ⇒ page 436	40	Yes	<p>General information on:</p> <ul style="list-style-type: none"> ◆ Winter tyres ⇒ page 14 ◆ Snow chains ⇒ page 17 <p>Tyre makes recommended by Volkswagen:</p> <ul style="list-style-type: none"> ◆ Summer tyres ⇒ page 482 ◆ All-season tyres ⇒ page 490 ◆ Winter tyres ⇒ page 500 <p>Winter tyres with „V-rating“ ⇒ page 15</p> <p>* 275/40 R 19 105Y tyre on wheel rim 9 J x 19 with offset 35 is only possible if the specified conditions are met! ⇒ page 441</p>
		235/50 R 18 101Y	7 ¹ / ₂ J x 18 ⇒ page 438	40	Yes	
		255/45 R 18 103Y	8 ¹ / ₂ J x 18 ⇒ page 438	45	No	
		255/40 R 19 100Y	8 ¹ / ₂ J x 19 ⇒ page 441	45	No	
		255/40 R 19 100Y	9 J x 19 ⇒ page 442	40	No	
		275/40 R 19 105Y* ⇒ page 432	9 J x 19 ⇒ page 441	35	No	
	Winter tyres	235/60 R 16 100H/V	7 ¹ / ₂ J x 16 ⇒ page 436	40	Yes	
	235/55 R 17 99H/V	7 ¹ / ₂ J x 17 ⇒ page 436	40	Yes		
3.2l V6 177 kW four-wheel drive;	Standard tyres	235/55 R 17 99Y	7 ¹ / ₂ J x 17 ⇒ page 436	40	Yes	<p>Tyre fitting ⇒ page 433 : Before fitting tyres, please observe fitting instructions in ⇒ Running gear, axles, steering; Rep. gr. 44</p>
3.0l V6 TDI 165 kW; 3.0l V6 TDI 171 kW; 3.0l V6 TDI 176 kW; 4.2l V8 246 kW	Modification	235/50 R 18 101Y	7 ¹ / ₂ J x 18 ⇒ page 438	40	Yes	



Model engine output	Tyres	Tyre size	Wheel rim	Off-set in mm	Snow chains	Remarks
		255/45 R 18 103Y	8 ¹ / ₂ J x 18 ⇒ page 438	45	No	On vehicles with tyre pressure control, the tyre inflation pressure has to be re-saved or matched when changing over between summer and winter tyres ⇒ Running gear, axles, steering; Rep. gr. 44
		255/40 R 19 100Y	8 ¹ / ₂ J x 19 ⇒ page 441	45	No	
		255/40 R 19 100Y	9 J x 19 ⇒ page 442	40	No	
		275/40 R 19 105Y* ⇒ page 433	9 J x 19 ⇒ page 441	35	No	
	Winter tyres	235/55 R 17 99H/V	7 ¹ / ₂ J x 17 ⇒ page 436	40	Yes	
		235/50 R 18 101H/V	7 ¹ / ₂ J x 18 ⇒ page 438	40	Yes	
	6.0l W12 309 kW; 6.0l W12 331 kW petrol engines	Standard tyres	235/50 R 18 101Y	7 ¹ / ₂ J x 18 ⇒ page 438	40	Yes
5.0l V10 TDI 230 kW diesel engine	Modification	255/45 R 18 103Y	8 ¹ / ₂ J x 18 ⇒ page 438	45	No	
		275/40 R 19 105Y* ⇒ page 433	9 J x 19 ⇒ page 441	35	No	* 275/40 R 19 105Y tyre on wheel rim 9 J x 19 with offset 35 is only possible if the specified conditions are met! ⇒ page 441
	Winter tyres	235/50 R 18 101H/V	7 ¹ / ₂ J x 18 ⇒ page 438	40	Yes	

Tyre pressures are printed on the tyre inflation pressure label, which can be found on the inside of the tank flap and on the driver's B-pillar.

- If the vehicle has a tyre pressure monitoring system, check remaining battery life of the tyre pressure sensors with ⇒ Vehicle diagnostic tester before fitting tyres.



43.2 Phaeton, type 3D and type 3d, model year 2010 to model year 2012 - short and long wheelbase

Appendix to certificate statement 8107901242

The certificate statement can be found on the Volkswagen ServiceNet under Accessories/Tyres, Wheels and Tyres, Wheels and Tyres Guide.

Type Approval No. for type 3D: e1*2001/116*0189*15 to e1*2001/116*0189*19

Type Approval No. for type 3d: DE*2007/46*0452*00

Type approval number for type 3d: e1*2007/46*0452*00

Overview

Model engine output	Tyres	Tyre size	Wheel rim	Offset in mm	Snow chains	Remarks
3.6l V6 206 kW; 4.2l V8 246 kW petrol engines	Standard tyres	235/55 R 17 99Y	7 ¹ / ₂ J x 17 ⇒ page 436	40	Yes	Snow chains: Only snow chains listed in ⇒ Electronic parts catalogue „ET-KA - Accessories catalogue“ are permissible!
	Modification	235/50 R 18 101Y	7 ¹ / ₂ J x 18 ⇒ page 438	40	Yes	General information on: ◆ Winter tyres ⇒ page 14 ◆ Snow chains ⇒ page 17
255/45 R 18 103Y		8 ¹ / ₂ J x 18 ⇒ page 438	45	No	Tyre makes recommended by Volkswagen: ◆ Summer tyres ⇒ page 482 ◆ All-season tyres ⇒ page 490 ◆ Winter tyres ⇒ page 500	
245/45 R 19 102Y		8 ¹ / ₂ J x 19 ⇒ page 440	38	No	Winter tyres with „V-rating“ ⇒ page 15	
255/40 R 19 100Y		8 ¹ / ₂ J x 19 ⇒ page 440	38	No		
255/40 R 19 100Y		8 ¹ / ₂ J x 19 ⇒ page 441	45	No		
255/40 R 19 100Y		9 J x 19 ⇒ page 442	40	No		
275/40 R 19 105Y* ⇒ page 434		9 J x 19 ⇒ page 441	35	No		* 275/40 R 19 105Y tyre on wheel rim 9 J x 19 with offset 35 is only possible if the specified conditions are met! ⇒ page 441



Model engine output	Tyres	Tyre size	Wheel rim	Off-set in mm	Snow chains	Remarks
		275/35 R 20 102Y** ⇒ page 435	9 J x 20 ⇒ page 442	41	No	275/35 R 20 102Y tyres on 9 J x 20 rims with an offset of 41 is only permissible if the specified conditions are met! ⇒ page 442
	Winter tyres	235/55 R 17 99H/V	7 ¹ / ₂ J x 17 ⇒ page 436	40	Yes	Tyre fitting ⇒ page 436 : Before fitting tyres, please observe fitting instructions in ⇒ Running gear, axles, steering; Rep. gr. 44
		235/50 R 18 101H/V	7 ¹ / ₂ J x 18 ⇒ page 438	40	Yes	On vehicles with tyre pressure control, the tyre inflation pressure has to be re-saved or matched when changing over between summer and winter tyres ⇒ Running gear, axles, steering; Rep. gr. 44
6.0l W12 331 kW petrol engine with 18" steel brakes (brake disc Ø: 365 mm)	Standard tyres	235/50 R 18 101Y	7 ¹ / ₂ J x 18 ⇒ page 438	40	Yes	
	Modification	245/45 R 19 102Y	8 ¹ / ₂ J x 19 ⇒ page 440	38	No	
		255/45 R 18 103Y	8 ¹ / ₂ J x 18 ⇒ page 438	45	No	
		275/40 R 19 105Y* ⇒ page 435	9 J x 19 ⇒ page 441	35	No	* 275/40 R 19 105Y tyre on wheel rim 9 J x 19 with offset 35 is only possible if the specified conditions are met! ⇒ page 441
	Winter tyres	235/50 R 18 101H/V	7 ¹ / ₂ J x 18 ⇒ page 438	40	Yes	
6.0l W12 331 kW petrol engine with 19" ceramic brakes (brake disc Ø: 380 mm)	Standard tyres	245/45 R 19 102Y	8 ¹ / ₂ J x 19 ⇒ page 440	38	Yes	
	Modification	275/35 R 20 102Y** ⇒ page 435	9 J x 20 ⇒ page 442	41	No	275/35 R 20 102Y tyres on 9 J x 20 rims with an offset of 41 is only permissible if the specified conditions are met! ⇒ page 442
	Winter tyres	245/45 R 19 102V	8 ¹ / ₂ J x 19 ⇒ page 440	38	Yes	



Tyre pressures are printed on the tyre inflation pressure label, which can be found on the inside of the tank flap and on the driver's B-pillar.

- If the vehicle has a tyre pressure monitoring system, check remaining battery life of the tyre pressure sensors with ⇒ Vehicle diagnostic tester before fitting tyres.

43.3 Wheel allocation for Phaeton, type 3D and type 3d, model year 2003 to model year 2012 - short and long wheelbase

Explanation of information on wheels ⇒ [page 49](#)

Torque specifications for wheel bolts ⇒ Running gear, axles, steering - front and four-wheel drive; Rep. gr. 44 ; Fitting wheels and tyres; Fitting wheels

Pitch circle diameter: 112 mm
Number of wheel bolt holes: 5

43.3.1 7¹/₂ J x 16



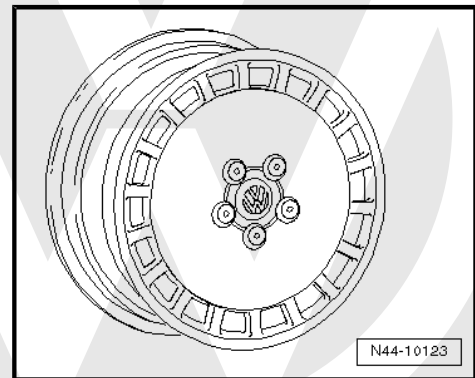
Caution

Observe the allocation of wheels and tyres to the respective engines, which are listed in the overview table ⇒ [page 431](#) .

3D0 601 025 - Wheel and tyre combination ⇒ [page 431](#)

Only for vehicles to maximum permissible axle load of 1,400 kg

Size:	7 ¹ / ₂ J x 16
Wheel offset in mm:	40
Wheel load in kg:	700



43.3.2 7¹/₂ J x 17



Caution

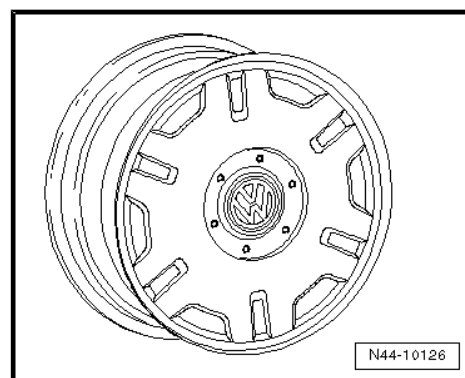
Observe the allocation of wheels and tyres to the respective engines, which are listed in the overview table ⇒ [page 431](#) .



Front-wheel drive and 4Motion

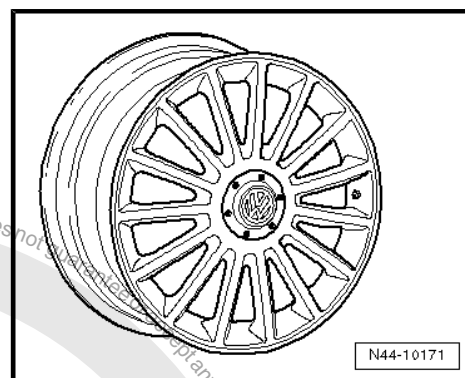
3D0 601 025 G - Wheel and tyre combination ⇒ page 432

Size:	7 ¹ / ₂ J x 17
Wheel offset in mm:	40
Wheel load in kg:	830



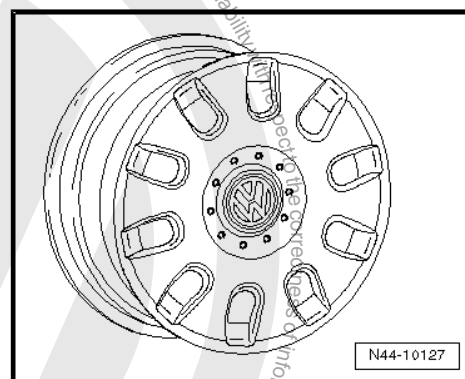
3D0 601 025 L, 3D0 601 025 AC - Wheel and tyre combination ⇒ page 432

Size:	7 ¹ / ₂ J x 17
Wheel offset in mm:	40
Wheel load in kg:	835



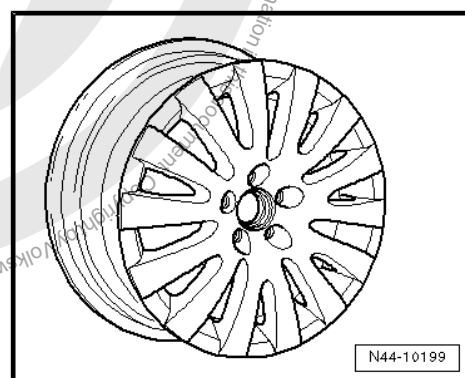
3D0 601 025 M - Wheel and tyre combination ⇒ page 432

Size:	7 ¹ / ₂ J x 17
Wheel offset in mm:	40
Wheel load in kg:	835



3D0 601 025 AA - Wheel and tyre combination ⇒ page 432

Size:	7 ¹ / ₂ J x 17
Wheel offset in mm:	40
Wheel load in kg:	840





3D0 601 025 AN - Wheel and tyre combination ⇒ page 432

Size:	7 ¹ / ₂ J x 17
Wheel offset in mm:	40
Wheel load in kg:	840



43.3.3 7¹/₂ J x 18



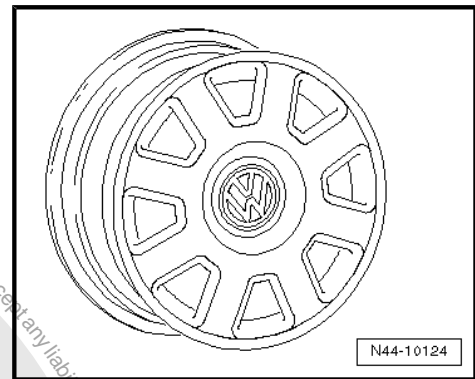
Caution

Observe the allocation of wheels and tyres to the respective engines, which are listed in the overview table ⇒ page 431 .

Front-wheel drive and 4Motion

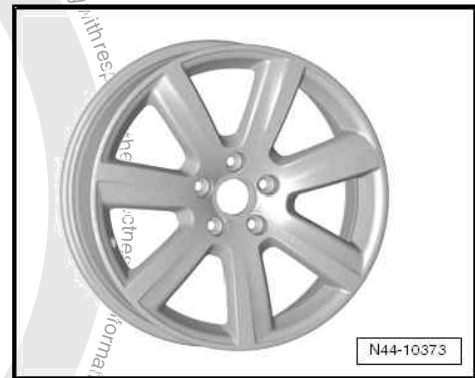
3D0 601 025 B, 3D0 601 025 AG - Wheel and tyre combination ⇒ page 432

Size:	7 ¹ / ₂ J x 18
Wheel offset in mm:	40
Wheel load in kg:	835



3D0 601 025 AM - Wheel and tyre combination ⇒ page 432

Size:	7 ¹ / ₂ J x 18
Wheel offset in mm:	40
Wheel load in kg:	840



43.3.4 8¹/₂ J x 18



Caution

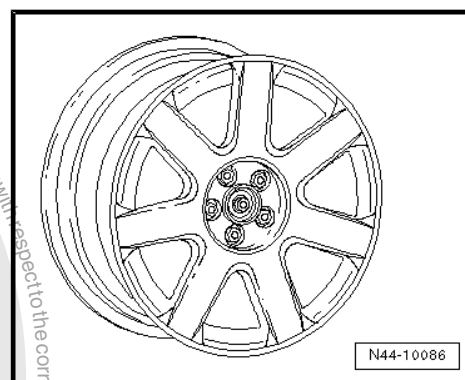
Observe the allocation of wheels and tyres to the respective engines, which are listed in the overview table ⇒ page 431 .



Front-wheel drive and 4Motion

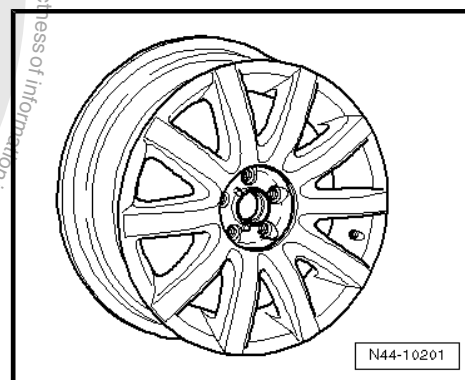
3D0 601 025 Q - Wheel and tyre combination ⇒ page 432

Size:	8 ¹ / ₂ J x 18
Wheel offset in mm:	45
Wheel load in kg:	835



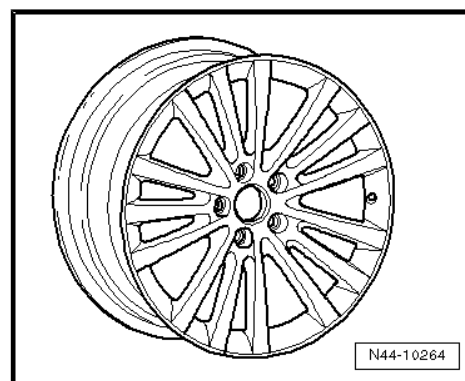
3D0 601 025 AB - Wheel and tyre combination ⇒ page 432

Size:	8 ¹ / ₂ J x 18
Wheel offset in mm:	45
Wheel load in kg:	840



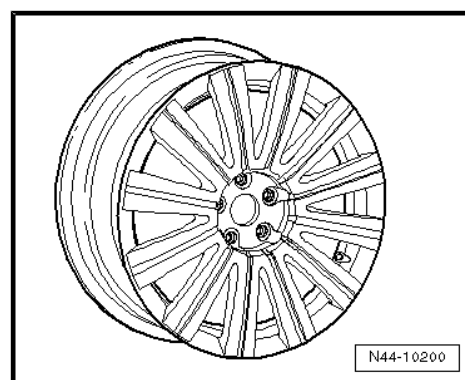
3D0 601 025 AF - Wheel and tyre combination ⇒ page 432

Size:	8 ¹ / ₂ J x 18
Wheel offset in mm:	45
Wheel load in kg:	840



3D0 601 025 S - Wheel and tyre combination ⇒ page 432

Size:	8 ¹ / ₂ J x 18
Wheel offset in mm:	45
Wheel load in kg:	840

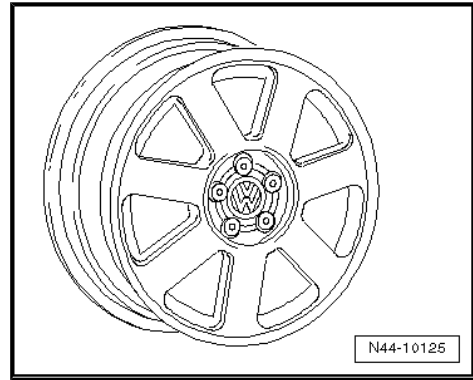




3D0 601 025 C, 3D0 601 025 AH - Wheel and tyre combination
⇒ [page 432](#)

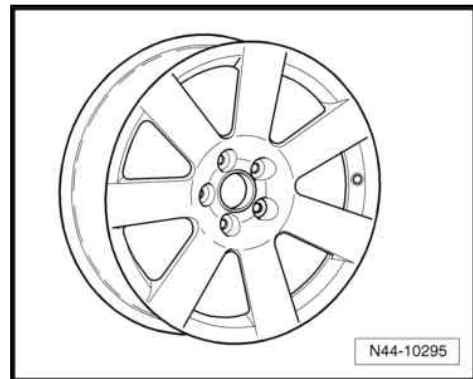
Only for vehicles to maximum permissible axle load of 1,550 kg

Size:	8 ¹ / ₂ J x 18
Wheel offset in mm:	45
Wheel load in kg:	775



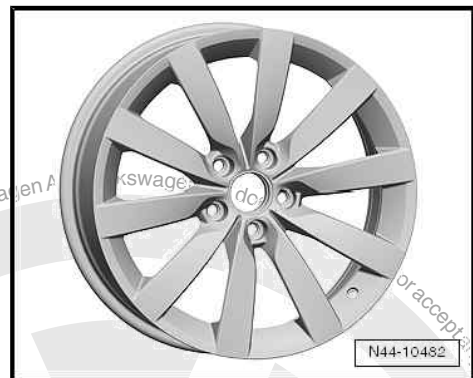
3D0 601 025 AJ- Wheel and tyre combination ⇒ [page 432](#)

Size:	8 ¹ / ₂ J x 18
Wheel offset in mm:	45
Wheel load in kg:	835



3D0 601 025 AQ - Wheel and tyre combination ⇒ [page 432](#)

Size:	8 ¹ / ₂ J x 18
Wheel offset in mm:	45
Wheel load in kg:	800



43.3.5 8¹/₂ J x 19 offset 38

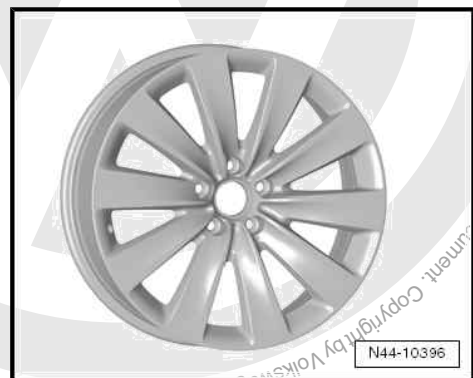


Caution

Observe the allocation of wheels and tyres to the respective engines, which are listed in the overview table ⇒ [page 431](#) .

3D0 601 025 AP - Wheel and tyre combination

Size:	8 ¹ / ₂ J x 19
Wheel offset in mm:	38
Wheel load in kg:	840





43.3.6 8¹/₂ J x 19 offset 45



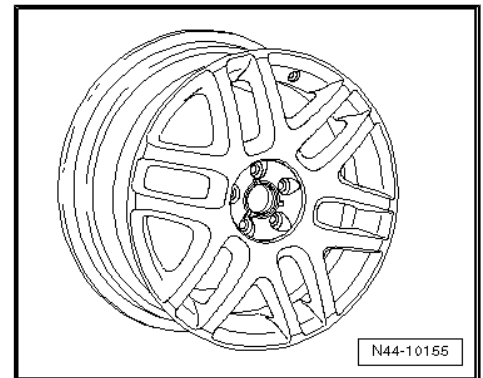
Caution

Observe the allocation of wheels and tyres to the respective engines, which are listed in the overview table ⇒ [page 431](#) .

Front-wheel drive and 4Motion

3D0 601 025 J - Wheel and tyre combination ⇒ [page 432](#)

Size:	8 ¹ / ₂ J x 19
Wheel offset in mm:	45
Wheel load in kg:	835



43.3.7 9 J x 19 offset 35



Caution

Observe the allocation of wheels and tyres to the respective engines, which are listed in the overview table ⇒ [page 431](#) .



WARNING

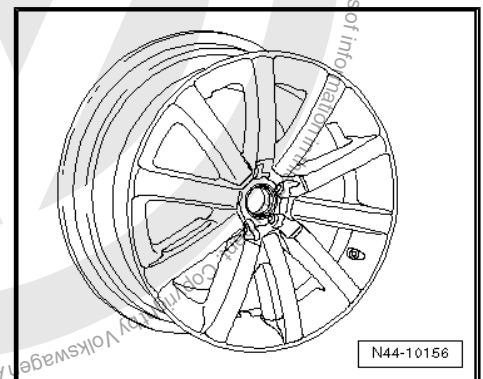
9 J x 19 wheels with offset 35 can only be fitted under the following conditions:

- *Fitting of 9 J x 19 wheel rims with offset 35 is only possible with TÜV certificate No. 3758/07.*
- *The camber on the vehicle must be set to -1°08' on the front axle and -1°30' on the rear axle.*

Front-wheel drive and 4Motion

3D0 601 025 AD - Wheel and tyre combination ⇒ [page 432](#)

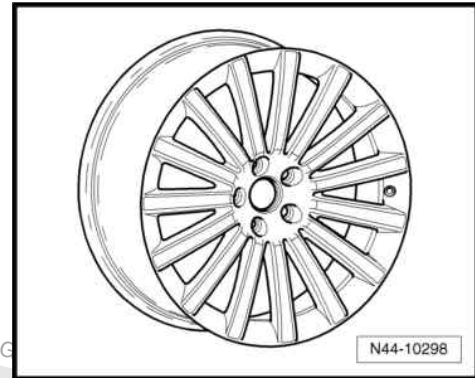
Size:	9 J x 19
Wheel offset in mm:	35
Wheel load in kg:	835





3D0 601 025 AL - Wheel and tyre combination ⇒ page 432

Size:	9 J x 19
Wheel offset in mm:	35
Wheel load in kg:	840



43.3.8 9 J x 19 offset 40



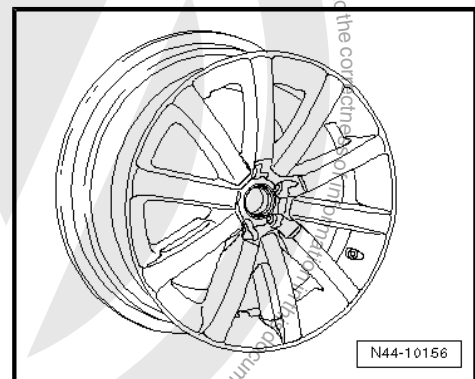
Caution

Observe the allocation of wheels and tyres to the respective engines, which are listed in the overview table ⇒ page 431 .

Front-wheel drive and 4Motion

3D0 601 025 P - Wheel and tyre combination ⇒ page 432

Size:	9 J x 19
Wheel offset in mm:	40
Wheel load in kg:	835



43.3.9 9 J x 20



Caution

Observe the allocation of wheels and tyres to the respective engines, which are listed in the overview table ⇒ page 431 .



WARNING

9 J x 20 wheels with offset 41 can only be fitted under the following conditions:

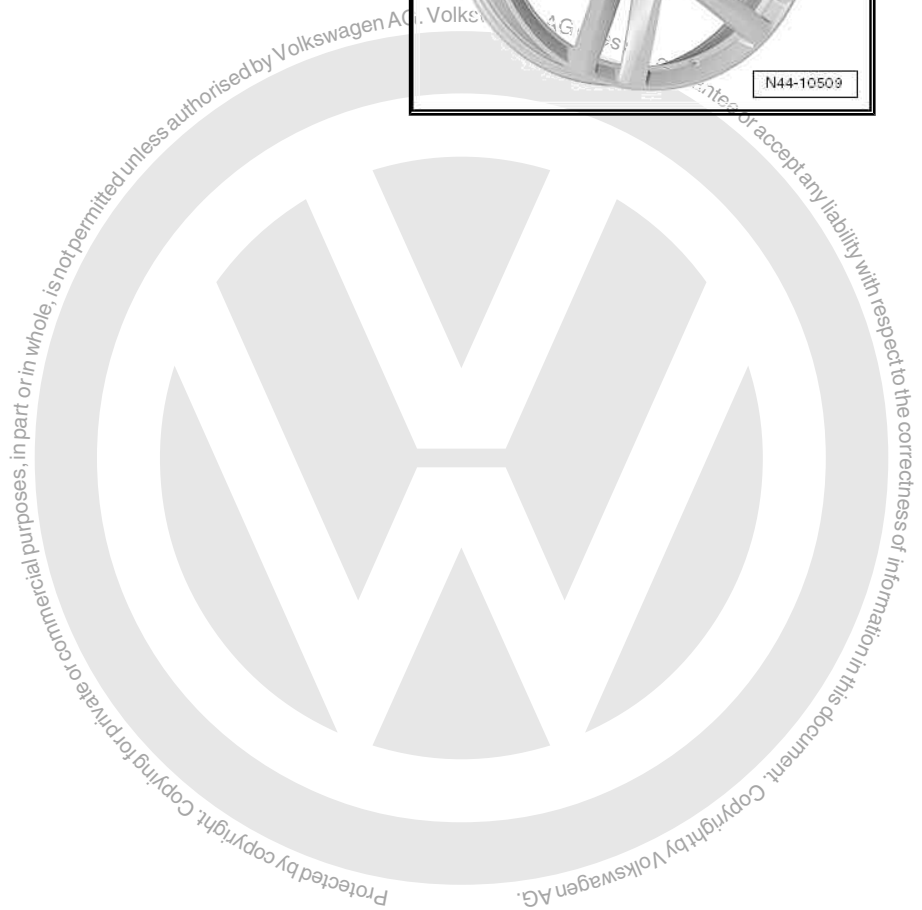
- *Only in conjunction with general operating permit (ABE) number 48123 is it permissible to fit 9 J x 20 wheels with an offset of 41!*
- *General operating permit number 48123 can be downloaded from the ServiceNet under Accessories/tyres, Wheels and tyres, Wheels/tyres guide. This permit must be presented to the customer without fail.*



Front-wheel drive and 4Motion

3D0 601 025 AR - Wheel and tyre combination ⇒ [page 435](#)

Size:	9 J x 20
Wheel offset in mm:	41
Wheel load in kg:	825





44 Sharan from model year 2011

General

Volkswagen vehicles are built according to the latest findings in safety engineering. To keep it that way, we recommend the use of only genuine Volkswagen spare parts. You can recognise this by the VW Audi logo and by the part number. It has been established that these parts are reliable, safe and suitable.

Despite constant appraisal of the market, we cannot assess other products on these points, even when in isolated cases they have been passed by official inspectors or have been granted official approval. Therefore, we cannot, of course, assume any liability if these products are installed.



WARNING

The products from Volkswagen genuine parts and Volkswagen accessories may differ in fitting requirements, torque specifications and so on.

Always follow the respective fitting and operating instructions.

The wheel and tyre combinations or changes listed in the vehicle tables refer exclusively to Volkswagen Genuine wheels. Approval of wheel and tyre combinations or a change to wheels from the accessories trade is not possible with the certificate statement attached here.



WARNING

The fitting instructions and torque specifications for wheels from Volkswagen accessories may differ from those intended for wheels from Volkswagen genuine parts.

Therefore, always observe the torque settings for the wheel bolts as well as the respective fitting and operating instructions.

44.1 Sharan, Sharan 4Motion, type 7N model year 2011 to model year 2012

Appendix to certificate statement 8107901283

The certificate statement can be found on the Volkswagen ServiceNet under Accessories/Tyres, Wheels and Tyres, Wheels and Tyres Guide.

Type approval number: e1*2007/46*0401*00 to e1*2007/46*0401*03

Overview

Model engine output	Tyres	Tyre size	Wheel rim	Offset in mm	Snow chains	Remarks
2.0l 85 kW TDI diesel engine	Standard tyres	205/60 R 16 96T	6 ¹ / ₂ J x 16 ⇒ page 446	33	Yes	General information on: ◆ Winter tyres ⇒ page 14 ◆ Snow chains ⇒ page 17



Model engine output	Tyres	Tyre size	Wheel rim	Offset in mm	Snow chains	Remarks
	Modification	215/60 R 16 95T/H/V	6 ¹ / ₂ J x 16 ⇒ page 446	33	No	Tyre makes recommended by Volkswagen: ◆ Summer tyres ⇒ page 482 ◆ All-season tyres ⇒ page 490 ◆ Winter tyres ⇒ page 500
		225/50 R 17 98T/H/V	7 J x 17 ⇒ page 447	39	No	
		225/45 R 18 95T/H/V	7 ¹ / ₂ J x 18 ⇒ page 447	35	No	
	Winter tyres	205/60 R 16 96T	6 ¹ / ₂ J x 16 ⇒ page 446	33	Yes	
2,0l 100 kW TDI; 2,0l 103 kW TDI; 2,0l 125 kW TDI diesel engine 1.4l 110 kW petrol engine	Standard tyres	205/60 R 16 96H	6 ¹ / ₂ J x 16 ⇒ page 446	33	Yes	
	Modification	215/60 R 16 95H	6 ¹ / ₂ J x 16 ⇒ page 446	33	No	
		225/50 R 17 98H/V	7 J x 17 ⇒ page 447	39	No	
		225/45 R 18 95H/V/W	7 ¹ / ₂ J x 18 ⇒ page 447	35	No	
Winter tyres	205/60 R 16 96H	6 ¹ / ₂ J x 16 ⇒ page 446	33	Yes		
2,0l 147 kW petrol engine	Standard tyres	205/60 R 16 96V	6 ¹ / ₂ J x 16 ⇒ page 446	33	Yes	
	Modification	215/60 R 16 95V	6 ¹ / ₂ J x 16 ⇒ page 446	33	No	
		225/50 R 17 98V/W	7 J x 17 ⇒ page 447	39	No	
		225/45 R 18 95V/W	7 ¹ / ₂ J x 18 ⇒ page 447	35	No	
Winter tyres	205/60 R 16 96H	6 ¹ / ₂ J x 16 ⇒ page 446	33	Yes		

Tyre pressures are printed on the tyre inflation pressure label, which can be found on the inside of the tank flap and on the driver's B-pillar.




44.2 Wheel allocation Sharan, Sharan 4Motion, type 7N model year 2011 to model year 2012

Explanation of information on wheels ⇒ [page 49](#)

Torque settings for wheel bolts ⇒ Running gear, axles, steering;
Rep. gr. 44 : Torque settings for fitting wheels

Pitch circle diameter: 112 mm
Number of wheel bolt holes: 5

44.2.1 6 1/2 J x 16



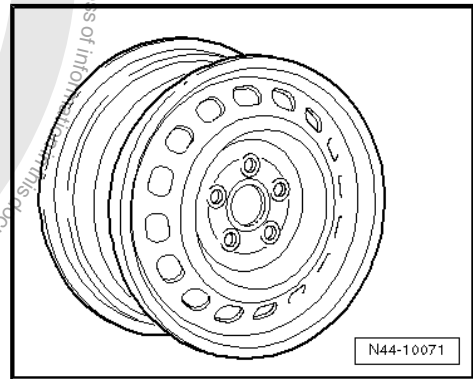
Caution

Observe the allocation of wheels and tyres to the respective engines, which are listed in the overview table ⇒ [page 444](#) .

7N0 601 027 A - Wheel and tyre combination ⇒ [page 444](#)

Only for vehicles to maximum permissible axle load of 1,350 kg

Size:	6 1/2 J x 16
Wheel offset in mm:	33
Wheel load in kg:	675



7N0 601 025 - Wheel and tyre combination ⇒ [page 444](#)

Only for vehicles to maximum permissible axle load of 1,350 kg

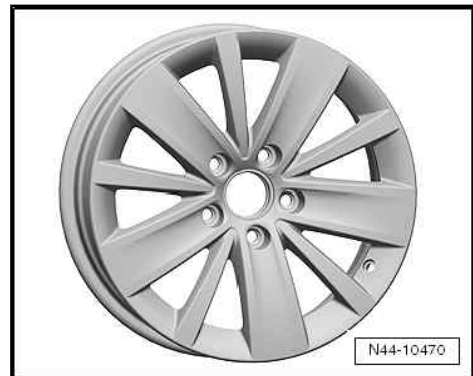
Size:	6 1/2 J x 16
Wheel offset in mm:	33
Wheel load in kg:	675



7N0 601 025 A, 7N0 601 025 K - Wheel and tyre combination ⇒ [page 444](#)

Only for vehicles to maximum permissible axle load of 1,350 kg

Size:	6 1/2 J x 16
Wheel offset in mm:	33
Wheel load in kg:	675





44.2.2 7 J x 17



Caution

Observe the allocation of wheels and tyres to the respective engines, which are listed in the overview table ⇒ [page 444](#) .

7N0 601 025 B, 7N0 601 025 H - Wheel and tyre combination ⇒ [page 445](#)

Only for vehicles to maximum permissible axle load of 1,350 kg

Size:	7 J x 17
Wheel offset in mm:	39
Wheel load in kg:	675



7N0 601 025 C - Wheel and tyre combination ⇒ [page 445](#)

Only for vehicles to maximum permissible axle load of 1,350 kg

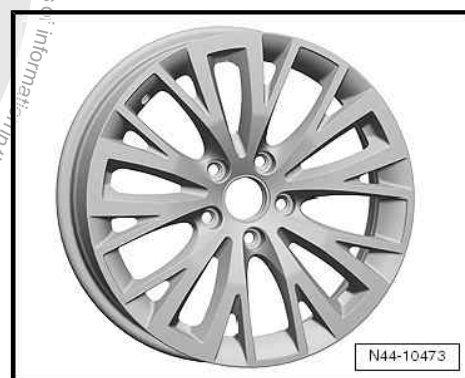
Size:	7 J x 17
Wheel offset in mm:	39
Wheel load in kg:	675



7N0 601 025 D - Wheel and tyre combination ⇒ [page 445](#)

Only for vehicles to maximum permissible axle load of 1,350 kg

Size:	7 J x 17
Wheel offset in mm:	39
Wheel load in kg:	675



44.2.3 7 1/2 J x 18



Caution

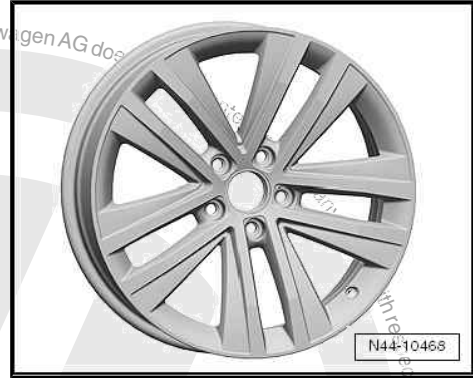
Observe the allocation of wheels and tyres to the respective engines, which are listed in the overview table ⇒ [page 444](#) .



7N0 601 025 F - Wheel and tyre combination ⇒ [page 445](#)

Only for vehicles to maximum permissible axle load of 1350 kg

Size:	7 1/2 J x 18
Wheel offset in mm:	35
Wheel load in kg:	675



Protected by copyright. Copying for private or commercial purposes, in part or in whole, is not permitted unless authorised by Volkswagen AG. Volkswagen AG does not accept any liability for the correctness of information in this document. Copyright by Volkswagen AG.



45 Touareg from model year 2010

General

Volkswagen vehicles are built according to the latest findings in safety engineering. To keep it that way, we recommend the use of only genuine Volkswagen spare parts. You can recognise this by the VW Audi logo and by the part number. It has been established that these parts are reliable, safe and suitable.

Despite constant appraisal of the market, we cannot assess other products on these points, even when in isolated cases they have been passed by official inspectors or have been granted official approval. Therefore, we cannot, of course, assume any liability if these products are installed.



WARNING

The products from Volkswagen genuine parts and Volkswagen accessories may differ in fitting requirements, torque specifications and so on.

Always follow the respective fitting and operating instructions.

The wheel and tyre combinations or changes listed in the vehicle tables refer exclusively to Volkswagen Genuine wheels. Approval of wheel and tyre combinations or a change to wheels from the accessories trade is not possible with the certificate statement attached here.



WARNING

The fitting instructions and torque specifications for wheels from Volkswagen accessories may differ from those intended for wheels from Volkswagen genuine parts.

Therefore, always observe the torque settings for the wheel bolts as well as the respective fitting and operating instructions.

45.1 Touareg, type 7P and type 7p, model year 2010 to model year 2012

Appendix to certificate statement 8107901318

The certificate statement can be found on the Volkswagen ServiceNet under Accessories/Tyres, Wheels and Tyres, Wheels and Tyres Guide.



Type approval number for type 7P: e1*2007/46*0376*00 to e1*2007/46*0376*04

Type approval number for model code 7p: DE*2007/46*0400*00 to DE*2007/46*0400*03

Type approval number for type 7p: e1*2007/46*0400*00

Overview

Model engine output	Tyres	Tyre size	Wheel rim	Offset in mm	Snow chains	Remarks
3.0l V6 TDI 150 kW diesel engine	Standard tyres	235/65 R 17 108H	7 ¹ / ₂ J x 17 ≧ page 451	50	Yes	General information on: ♦ Winter tyres ≧ page 14 ♦ Snow chains ≧ page 17 Tyre makes recommended by Volkswagen: ♦ Summer tyres ≧ page 483 ♦ All-season tyres ≧ page 490 ♦ Winter tyres ≧ page 500
	Modification	235/65 R 17 108V	7 ¹ / ₂ J x 17 ≧ page 451	50	Yes	
		255/60 R 17 106H/V	7 ¹ / ₂ J x 17 ≧ page 451	50	Yes	
		255/55 R 18 109H/V	8 J x 18 ≧ page 452	53	Yes	
		265/50 R 19 110H/V	8 ¹ / ₂ J x 19 ≧ page 453	59	No	
		275/45 R 20 110H/V	9 J x 20 ≧ page 453	57	No	
		275/40 R 21 107H/V	9 ¹ / ₂ J x 21 ≧ page 454	59	No	
	Winter tyres	235/65 R 17 108T/H	7 ¹ / ₂ J x 17 ≧ page 451	50	Yes	
		255/55 R 18 109T/H/V	8 J x 18 ≧ page 452	53	Yes	
	V6 TDI 3.0l 176 kW; V6 TDI 3.0l 180 kW diesel engine 3.6l V6 206 kW; petrol engine	Standard tyres	235/65 R 17 108V	7 ¹ / ₂ J x 17 ≧ page 451	50	
Modification		255/60 R 17 106V	7 ¹ / ₂ J x 17 ≧ page 451	50	Yes	
		255/55 R 18 109V	8 J x 18 ≧ page 452	53	Yes	



Model engine output	Tyres	Tyre size	Wheel rim	Off-set in mm	Snow chains	Remarks
		265/50 R 19 110V	8 ¹ / ₂ J x 19 ⇒ page 453	59	No	
		275/45 R 20 110V	9 J x 20 ⇒ page 453	57	No	
		275/40 R 21 107V	9 ¹ / ₂ J x 21 ⇒ page 454	59	No	
	Winter tyres	235/65 R 17 108T/H/V	7 ¹ / ₂ J x 17 ⇒ page 451	50	Yes	
		255/55 R 18 109T/H/V	8 J x 18 ⇒ page 452	53	Yes	
4.2 l V8 TDI 250 kW; diesel engine	Standard tyres	255/55 R 18 109W	8 J x 18 ⇒ page 452	53	Yes	
	Modification	265/50 R 19 110W	8 ¹ / ₂ J x 19 ⇒ page 453	59	No	
		275/45 R 20 110W	9 J x 20 ⇒ page 453	57	No	
		275/40 R 21 107W	9 ¹ / ₂ J x 21 ⇒ page 454	59	No	
	Winter tyres	255/55 R 18 109T/H/V	8 J x 18 ⇒ page 452	53	Yes	

Tyre pressures are printed on the tyre inflation pressure label, which can be found on the inside of the tank flap and on the driver's B-pillar.


45.2 Wheel allocation for Touareg, type 7P and type 7p, model year 2010 to model year 2012

Explanation of information on wheels ⇒ [page 49](#)

Torque settings for wheel bolts ⇒ Running gear, axles, steering;
Rep. gr. 44

Pitch circle diameter: 130
Number of wheel bolt holes: 5

45.2.1 7¹/₂ J x 17



Caution

Observe the allocation of wheels and tyres to the respective engines, which are listed in the overview table ⇒ [page 450](#).



7P6 601 025 - Wheel and tyre combination ⇒ page 450

Size:	7 ¹ / ₂ J x 17
Wheel offset in mm:	50
Wheel load in kg:	800



7P6 601 025 A - Wheel and tyre combination ⇒ page 450

Size:	7 ¹ / ₂ J x 17
Wheel offset in mm:	50
Wheel load in kg:	800

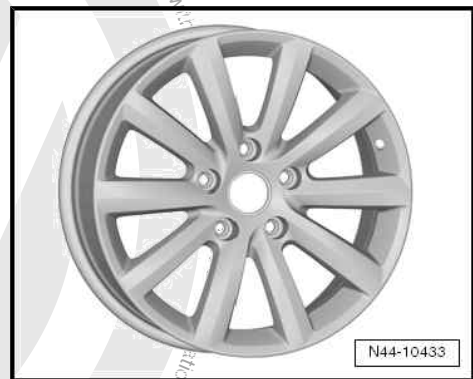


45.2.2 8 J x 18

	Caution
<i>Observe the allocation of wheels and tyres to the respective engines, which are listed in the overview table ⇒ page 450 .</i>	

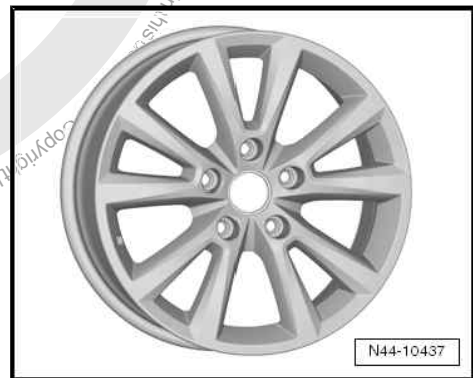
7P6 601 025 B - Wheel and tyre combination ⇒ page 450

Size:	8 J x 18
Wheel offset in mm:	53
Wheel load in kg:	800



7P6 601 025 C - Wheel and tyre combination ⇒ page 450

Size:	8 J x 18
Wheel offset in mm:	53
Wheel load in kg:	800





7P6 601 025 J - Wheel and tyre combination ⇒ page 450

Size:	8 J x 18
Wheel offset in mm:	53
Wheel load in kg:	800



45.2.3 8¹/₂ J x 19

⚠ Caution
Observe the allocation of wheels and tyres to the respective engines, which are listed in the overview table ⇒ page 450 .

7P6 601 025 D - Wheel and tyre combination ⇒ page 450

Size:	8 ¹ / ₂ J x 19
Wheel offset in mm:	59
Wheel load in kg:	800



7P6 601 025 K - Wheel and tyre combination ⇒ page 450

Size:	8 ¹ / ₂ J x 19
Wheel offset in mm:	59
Wheel load in kg:	800



45.2.4 9 J x 20

⚠ Caution
Observe the allocation of wheels and tyres to the respective engines, which are listed in the overview table ⇒ page 450 .



7P6 601 025 E - Wheel and tyre combination ⇒ page 450

Size:	9 J x 20
Wheel offset in mm:	57
Wheel load in kg:	800



7P6 601 025 G - Wheel and tyre combination ⇒ page 450

Size:	9 J x 20
Wheel offset in mm:	57
Wheel load in kg:	800



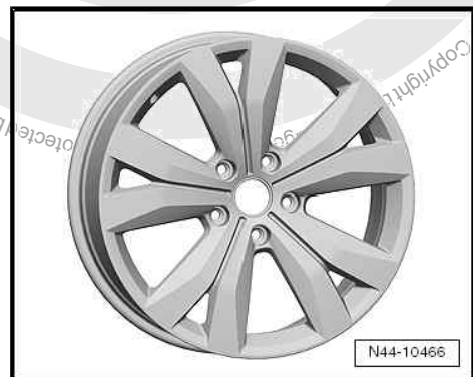
7P6 601 025 L - Wheel and tyre combination ⇒ page 450

Size:	9 J x 20
Wheel offset in mm:	57
Wheel load in kg:	800



7P6 601 025 M - Wheel and tyre combination ⇒ page 450

Size:	9 J x 20
Wheel offset in mm:	57
Wheel load in kg:	800



45.2.5 9 1/2 J x 21



Caution

Observe the allocation of wheels and tyres to the respective engines, which are listed in the overview table ⇒ page 450 .



7P6 601 025 N - Wheel and tyre combination ⇒ [page 450](#)

Size:	9 ¹ / ₂ J x 21
Wheel offset in mm:	59
Wheel load in kg:	800



Protected by copyright. Copying for private or commercial purposes, in part or in whole, is not permitted unless authorised by Volkswagen AG. Volkswagen AG does not guarantee or accept any liability with respect to the correctness of information in this document. Copyright by Volkswagen AG.



46 Touareg hybrid from model year 2011

General

Volkswagen vehicles are built according to the latest findings in safety engineering. To keep it that way, we recommend the use of only genuine Volkswagen spare parts. You can recognise this by the VW Audi logo and by the part number. It has been established that these parts are reliable, safe and suitable.

Despite constant appraisal of the market, we cannot assess other products on these points, even when in isolated cases they have been passed by official inspectors or have been granted official approval. Therefore, we cannot, of course, assume any liability if these products are installed.



WARNING

The products from Volkswagen genuine parts and Volkswagen accessories may differ in fitting requirements, torque specifications and so on.

Always follow the respective fitting and operating instructions.

The wheel and tyre combinations or changes listed in the vehicle tables refer exclusively to Volkswagen Genuine wheels. Approval of wheel and tyre combinations or a change to wheels from the accessories trade is not possible with the certificate statement attached here.



WARNING

The fitting instructions and torque specifications for wheels from Volkswagen accessories may differ from those intended for wheels from Volkswagen genuine parts.

Therefore, always observe the torque settings for the wheel bolts as well as the respective fitting and operating instructions.

46.1 Touareg hybrid, type 7PH and type 7pH, model year 2011 to model year 2012

Appendix to certificate statement 8107901318

The certificate statement can be found on the Volkswagen ServiceNet under Accessories/Tyres, Wheels and Tyres, Wheels and Tyres Guide.



Type approval number for type 7PH: e1*2007/46*0403*00 to e1*2007/46*0403*01

Type Approval No. for type 7pH: DE*2007/46*0404*00

Type approval number for type 7pH: e1*2007/46*0404*00

Overview

Model engine output	Tyres	Tyre size	Wheel rim	Off-set in mm	Snow chains	Remarks
3.0l V6 245 kW; petrol engine	Standard tyres	255/55 R 18 109V	8 J x 18 ⇒ page 457	53	Yes	General information on: ◆ Winter tyres ⇒ page 14 ◆ Snow chains ⇒ page 17
	Modification	265/50 R 19 110V	8 1/2 J x 19 ⇒ page 458	59	No	Tyre makes recommended by Volkswagen: ◆ Summer tyres ⇒ page 483 ◆ All-season tyres ⇒ page 490 ◆ Winter tyres ⇒ page 501
	Winter tyres	255/55 R 18 109T/H/V	8 J x 18 ⇒ page 457	53	Yes	

Tyre pressures are printed on the tyre inflation pressure label, which can be found on the inside of the tank flap and on the driver's B-pillar.

46.2 Wheel allocation Touareg hybrid, type 7PH and type 7pH, model year 2011 to model year 2012


Explanation of information on wheels ⇒ [page 49](#)

Torque settings for wheel bolts ⇒ Running gear, axles, steering;
Rep. gr. 44

Pitch circle diameter: 130

Number of wheel bolt holes: 5

46.2.1 8 J x 18



Caution

Observe the allocation of wheels and tyres to the respective engines, which are listed in the overview table ⇒ [page 457](#).



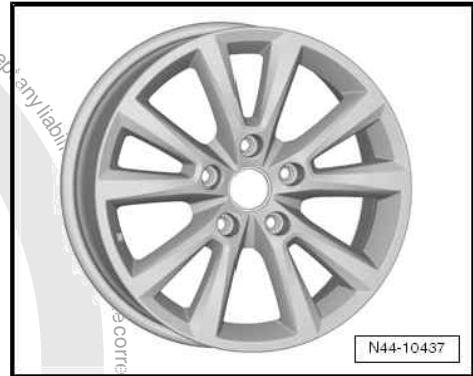
7P6 601 025 B - Wheel and tyre combination ⇒ page 457

Size:	8 J x 18
Wheel offset in mm:	53
Wheel load in kg:	800



7P6 601 025 C - Wheel and tyre combination ⇒ page 457

Size:	8 J x 18
Wheel offset in mm:	53
Wheel load in kg:	800



7P6 601 025 J - Wheel and tyre combination ⇒ page 457

Size:	8 J x 18
Wheel offset in mm:	53
Wheel load in kg:	800



46.2.2 8¹/₂ J x 19



Caution

Observe the allocation of wheels and tyres to the respective engines, which are listed in the overview table ⇒ page 457 .

7P6 601 025 D - Wheel and tyre combination ⇒ page 457

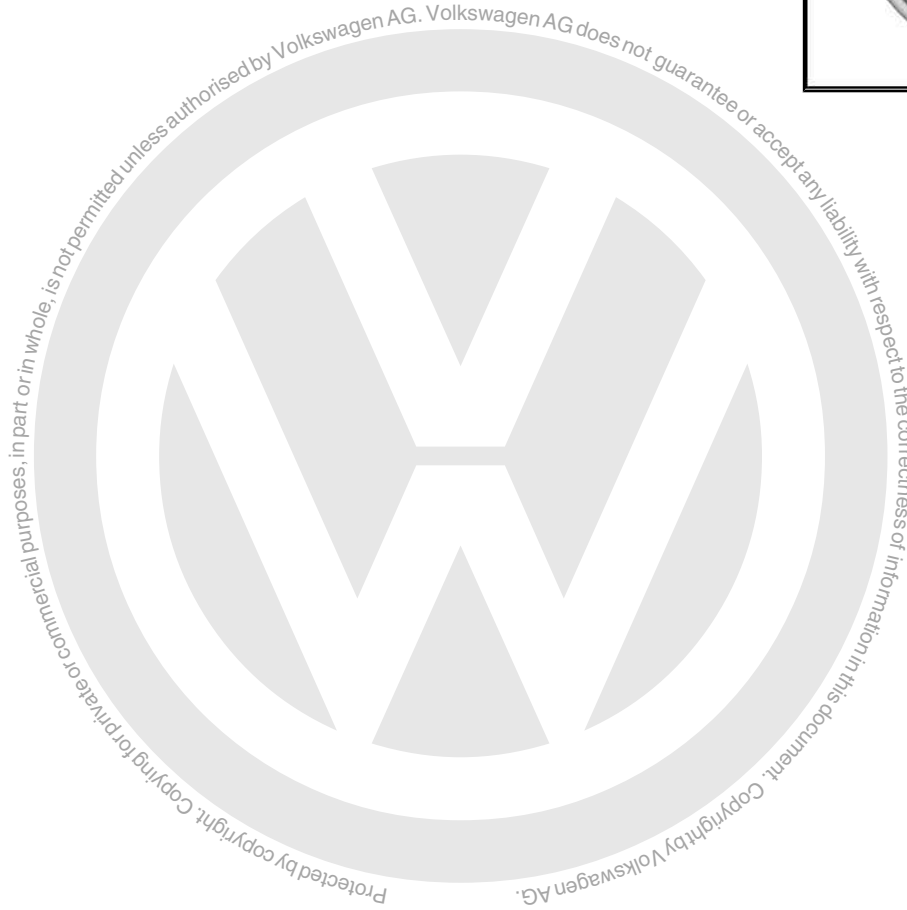
Size:	8 ¹ / ₂ J x 19
Wheel offset in mm:	59
Wheel load in kg:	800





7P6 601 025 K - Wheel and tyre combination ⇒ [page 457](#)

Size:	8 ¹ / ₂ J x 19
Wheel offset in mm:	59
Wheel load in kg:	800





47 Breakdown set for VW Vehicles

The latest replacement part numbers for tyre sealant and the compressor of the respective vehicle type can be found in ⇒ Electronic replacement parts catalogue „ETKA“ under the main group 0 - Accessories.





48 Temporary spare tyres and wheels for VW vehicles

Observe the notes on the use of temporary spare wheels

⇒ [page 58](#) .

Refer to ⇒ Electronic parts catalogue „ETKA“ for replacement part numbers.

Model	Wheel rim	Tyres		
	Size	Size	Make	Tread
Polo, type 6R	3 1/2 J x 16 offset 25.5	T125/70 R 16 96M	Hankook Continental Komho Maxxis	S300 CST 17 121 M9500N
Beetle, type 5C1 (16)	3 J x 16 offset 15	T125/90 R 16 98M	Continental	CST 17
Golf, type 5K (1K)	3 1/2 J x 18 offset 25.5	T125/70 R 18 99M	Goodyear Continental	Conv. Spare CST 17
	3 1/2 J x 16 wheel off- set 25.5 ¹⁾	T125/70 R 16 96M	Hankook Continental Komho Maxxis	S300 CST 17 121 M9500N
Golf Plus, type 521 (1KP)	3 1/2 J x 18 offset 25.5	T125/70 R 18 99M	Goodyear Continental	Conv. Spare CST 17
	3 1/2 J x 16 wheel off- set 25.5 ¹⁾	T125/70 R 16 96M	Hankook Continental Komho Maxxis	S300 CST 17 121 M9500N
Golf Variant, type AJ5	3 1/2 J x 18 offset 25.5	T125/70 R 18 99M	Goodyear Continental	Conv. Spare CST 17
Jetta, type 162	3 1/2 J x 18 offset 25.5	T125/70 R 18 99M	Continental	CST 17
Tiguan, type 5N	4 J x 18 offset 27.5	T145/80 R 18 99M	Continental	CST 17
Scirocco, type 137 (13)	3 1/2 J x 18 offset 25.5	T125/70 R 18 99M	Goodyear Continental	Conv. Spare CST 17
	3 1/2 J x 16 wheel off- set 25.5 ²⁾	T125/70 R 16 96M	Continental Hankook Kumho Maxxis	CST 17 S300 121 M9500N
Touran 1T	3 1/2 J x 18 offset 25.5	T125/70 R 18 99M	Goodyear Continental	Conv. Spare CST 17
Eos, type 1F	3 1/2 J x 18 offset 25.5	T125/70 R 18 99M	Continental	CST 17
	3 1/2 J x 16 wheel off- set 25.5 ²⁾	T125/70 R 16 96M	Continental Hankook Maxxis	CST 17 S300 M9500N
Touareg, type 7P	6 1/2 J x 18 offset 28	195/75 R 18 106 P folding tyre	Vredestein	Spacemaster

¹⁾ not with 4Motion or towing attachment

²⁾ not with towing attachment



49 Recommended summer tyres

Notes regarding the recommended makes of summer tyre

- ◆ Tyres are one of the most important elements in motor vehicle construction and have a major influence on road safety. They must therefore satisfy numerous conditions which are specified for tyre manufacturers in DIN (German industrial standards) and the directives of the German rubber industry e. V. (W.d.K.). In addition, comprehensive testing is carried out at Volkswagen before tyres are approved for initial fitting on our vehicles.
- ◆ The tyre makes/tread patterns indicated in the following satisfy the aforementioned requirements. We therefore recommend that these tyre makes/tread patterns be used when the vehicle's tyres are replaced.
- ◆ The following lists show all tyre makes and tread patterns that are fitted to VW vehicles ex-works at the time of manufacture..
- ◆ The listed tyre makes and tread patterns correspond to the latest state-of-the-art at the time of going to print. Like any other product, the tyres especially are subject to continuous further development. Changes in the tyre makes and tread patterns are therefore possible at short notice at any time in the future. If a tread pattern can no longer be supplied, we recommend the subsequent tread pattern of the respective tyre make as a substitute.
- ◆ Bear in mind the special aspects that need to be taken into account in the case of tyres with emergency running properties ⇒ [page 45](#) .
- ◆ Bear in mind the special aspects of self-sealing tyres „ContiSeal“ ⇒ Repair manual for running gear, axles, steering; Rep. gr. 44 ; Self-sealing tyres „ContiSeal“ .

49.1 Summer tyres for Fox from model year 2006

Observe the notes regarding the recommended makes of summer tyres ⇒ [page 462](#)

Tyre size	Make	Tread pattern
165/70 R 14 81T	Continental	Eco Contact 3
	Michelin	Energy3
185/60 R 14 82H	Continental	CPC
195/55 R 15 85H	Michelin	Energy Saver
	Bridgestone	8250
	Dunlop	Sport 01A

49.2 Summer tyres for Polo from model year 2010

Observe the notes regarding the recommended makes of summer tyres ⇒ [page 462](#)

Tyre size	Make	Tread pattern	
175/70 R 14 84T	Michelin	Energy Saver	
	Dunlop	SP Sport 01	
	Bridgestone	B250 Ecopia	
	Continental	Premium Contact 2	



Tyre size	Make	Tread pattern	
185/60 R 15 84T	Michelin	Energy Saver	
	Dunlop	SP Sport 01	
	Hankook	K415	
	Bridgestone	B250	
	Goodyear	DuraGrip	
	Continental	Premium Contact 2	
185/60 R 15 88H	Michelin	Energy Saver	
	Dunlop	SP Sport 01	
	Bridgestone	B250	
	Hankook	K415	
195/55 R 15 85H	Michelin	Energy Saver	
	Dunlop	SP Sport 01A	
	Hankook	K415	
	Bridgestone	B250	
215/45 R 16 86H	Michelin	Exalto 2	
	Dunlop	SportMaxx	
	Bridgestone	ER 300	
	Continental	Premium Contact 2	
	Goodyear	Excellence	
215/40 R 17 87V	Michelin	Exalto 2	
	Dunlop	SportMaxx	
	Continental	Premium Contact 2	

49.3 Summer tyres for Polo BlueMotion from model year 2010

Observe the notes regarding the recommended makes of summer tyres ⇒ [page 462](#)

Tyre size	Make	Tread pattern	
185/60 R 15 84T	Michelin	Energy Saver	
	Dunlop	SP Sport 01	
	Hankook	K415	
	Bridgestone	B250	
	Goodyear	DuraGrip	
	Continental	Premium Contact 2	
185/60 R 15 88H	Michelin	Energy Saver	
	Dunlop	SP Sport 01	
	Bridgestone	B250	
	Hankook	K415	



49.4 Summer tyres for CrossPolo from model year 2011

Observe the notes regarding the recommended makes of summer tyres → [page 462](#)

Tyre size	Make	Tread pattern
175/70 R 14 84T	Michelin	Energy Saver
	Dunlop	SP Sport 01
	Bridgestone	B250 Ecopia
	Continental	Premium Contact 2
185/60 R 15 84T	Michelin	Energy Saver
	Dunlop	SP Sport 01
	Hankook	K415
	Bridgestone	B250
	Goodyear	DuraGrip
	Continental	Premium Contact 2
185/60 R 15 88H	Michelin	Energy Saver
	Dunlop	SP Sport 01
	Bridgestone	B250
	Hankook	K415
195/55 R 15 85H	Michelin	Energy Saver
	Dunlop	SP Sport 01A
	Hankook	K415
	Bridgestone	B250
215/45 R 16 86H	Michelin	Exalto 2
	Dunlop	SportMaxx
	Bridgestone	ER 300
	Continental	Premium Contact 2
	Goodyear	Excellence
215/40 R 17 87V	Michelin	Exalto 2
	Dunlop	SportMaxx
	Continental	Premium Contact 2

49.5 Summer tyres for Polo GTI from model year 2011

Observe the notes regarding the recommended makes of summer tyres → [page 462](#)

Tyre size	Make	Tread pattern
215/45 R 16 86H	Michelin	Exalto 2
	Dunlop	SportMaxx
	Bridgestone	ER 300
	Continental	Premium Contact 2
	Goodyear	Excellence
215/40 R 17 87V	Michelin	Exalto 2
	Dunlop	SportMaxx
	Continental	Premium Contact 2



49.6 Summer tyres for Golf from model year 2009

Observe the notes regarding the recommended makes of summer tyres ⇒ [page 462](#)

Tyre size	Make	Tread pattern	Remarks
195/65 R 15 91H	Pirelli	P 6000	
	Goodyear	NCT 5	
	Continental	Eco Contact 3	
	Michelin	Energy 3	
	Bridgestone	ER 300	
	Bridgestone	B 390	
195/65 R 15 91V	Pirelli	P 6000	
	Goodyear	NCT 5	
	Michelin	Energy 3	
	Continental	Premium Contact	
	Bridgestone	B 390	
	Bridgestone	ER 300	
205/55 R 16 91H	Michelin	Energy Saver	Rolling resistance optimised tyres ⇒ page 48
	Goodyear	Excellence	
	Continental	Premium Contact 2	
	Dunlop	SP Sport Fast Response	
205/55 R 16 91V	Pirelli	Cinturato P7	Rolling resistance optimised tyres ⇒ page 48
	Hankook	K415	
	Goodyear	NCT 5	
	Continental	Premium Contact 2	
	Michelin	Energy 3	
	Dunlop	SP Sport 01A	
	Continental	Sport Contact 2	
	Bridgestone	ER 30	
	Bridgestone	ER 300 Ecopia	
	Dunlop	SP Sport Fast Response	
	Michelin	Energy Saver	
	Goodyear	Excellence	
205/55 R 16 91W	Bridgestone	ER 30	
	Bridgestone	ER 300	
	Pirelli	Cinturato P7	
	Goodyear	NCT 5	
225/45 R 17 91W	Michelin	Premacy HP	
	Bridgestone	RE 40	
	Bridgestone	RE 50	
	Bridgestone	ER 300 Ecopia	
	Continental	Sport Contact 2	
225/45 ZR 17 91W	Pirelli	P Zero Rosso	
	Dunlop	SP Sport 01A	
225/40 R 18 92Y	Bridgestone	RE 050A	
	Continental	Sport Contact 2	
225/40 ZR 18 92Y	Michelin	Pilot Exalto 2	
	Dunlop	SportMaxx	



Tyre size	Make	Tread pattern	Remarks
	Dunlop	SportMaxx GT	
	Pirelli	P Zero Rosso	

49.7 Summer tyres for Golf BlueMotion from model year 2009

Observe the notes regarding the recommended makes of summer tyres ⇒ [page 462](#)

Tyre size	Make	Tread pattern	Remarks	
195/65 R 15 91H	Pirelli	P 6000		
	Goodyear	NCT 5		
	Continental	Eco Contact 3		
	Michelin	Energy 3		
	Bridgestone	ER 300		
	Bridgestone	B 390		
195/65 R 15 91V	Pirelli	P 6000		
	Goodyear	NCT 5		
	Michelin	Energy 3		
	Continental	Premium Contact		
	Bridgestone	B 390		
	Bridgestone	ER 300		
205/55 R 16 91H	Michelin	Energy Saver	Rolling resistance optimised tyres ⇒ page 48	
	Goodyear	Excellence		
	Continental	Premium Contact 2		
	Dunlop	SP Sport Fast Response		
205/55 R 16 91V	Pirelli	Cinturato P7		
	Hankook	K415		
	Goodyear	NCT 5		
	Continental	Premium Contact 2		
	Michelin	Energy 3		
	Dunlop	SP Sport 01A		
	Continental	Sport Contact 2		
	Bridgestone	ER 30		
	Bridgestone	ER 300 Ecopia		
	Dunlop	SP Sport Fast Response		Rolling resistance optimised tyres ⇒ page 48
	Michelin	Energy Saver		
Goodyear	Excellence			
205/55 R 16 91W	Bridgestone	ER 30		
	Bridgestone	ER 300		
	Pirelli	Cinturato P7		
	Goodyear	NCT 5		



49.8 Summer tyres for Golf GTD from model year 2009

Observe the notes regarding the recommended makes of summer tyres ⇒ [page 462](#)

Tyre size	Make	Tread pattern	Remarks	
205/55 R 16 91V	Pirelli	Cinturato P7		
	Hankook	K415		
	Goodyear	NCT 5		
	Continental	Premium Contact 2		
	Michelin	Energy 3		
	Dunlop	SP Sport 01A		
	Continental	Sport Contact 2		
	Bridgestone	ER 30		
	Bridgestone	ER 300 Ecopia		
	Dunlop	SP Sport Fast Response		Rolling resistance optimised tyres ⇒ page 48
	Michelin	Energy Saver		
205/55 R 16 91W	Goodyear	Excellence		
	Bridgestone	ER 30		
	Bridgestone	ER 300		
	Pirelli	Cinturato P7		
225/45 R 17 91W	Goodyear	NCT 5		
	Michelin	Premacy HP		
	Bridgestone	RE 40		
	Bridgestone	RE 50		
	Bridgestone	ER 300 Ecopia		
225/45 ZR 17 91W	Continental	Sport Contact 2		
	Pirelli	P Zero Rosso		
225/40 R 18 92Y	Dunlop	SP Sport 01A		
	Bridgestone	RE 050A		
225/40 ZR 18 92Y	Continental	Sport Contact 2		
	Michelin	Pilot Exalto 2		
	Dunlop	SportMaxx		
	Dunlop	SportMaxx GT		
225/40 ZR 18 92Y	Pirelli	P Zero Rosso		

49.9 Summer tyres for Golf GTI from model year 2009

Observe the notes regarding the recommended makes of summer tyres ⇒ [page 462](#)

Tyre size	Make	Tread pattern	Remarks
205/55 R 16 91V	Pirelli	Cinturato P7	
	Hankook	K415	
	Goodyear	NCT 5	
	Continental	Premium Contact 2	
	Michelin	Energy 3	
	Dunlop	SP Sport 01A	
	Continental	Sport Contact 2	
	Bridgestone	ER 30	



Tyre size	Make	Tread pattern	Remarks
	Bridgestone	ER 300 Ecopia	Rolling resistance optimised tyres ⇒ page 48
	Dunlop	SP Sport Fast Response	
	Michelin	Energy Saver	
	Goodyear	Excellence	
205/55 R 16 91W	Bridgestone	ER 30	
	Bridgestone	ER 300	
	Pirelli	Cinturato P7	
	Goodyear	NCT 5	
225/45 R 17 91W	Michelin	Premacy HP	
	Bridgestone	RE 40	
	Bridgestone	RE 50	
	Bridgestone	ER 300 Ecopia	
	Continental	Sport Contact 2	
225/45 ZR 17 91W	Pirelli	P Zero Rosso	
	Dunlop	SP Sport 01A	
225/40 R 18 92Y	Bridgestone	RE 050A	
	Continental	Sport Contact 2	
225/40 ZR 18 92Y	Michelin	Pilot Exalto 2	
	Dunlop	SportMaxx	
	Dunlop	SportMaxx GT	
	Pirelli	P Zero Rosso	
225/35 R19 88Y XL	Dunlop	SportMaxx GT	
	Pirelli	P Zero Rosso	

49.10 Summer tyres for Golf R from model year 2010

Observe the notes regarding the recommended makes of summer tyres ⇒ [page 462](#)

Tyre size	Make	Tread pattern	Remarks
225/45 R 17 91W	Michelin	Premacy HP	
	Bridgestone	RE 40	
	Bridgestone	RE 50	
	Bridgestone	ER 300 Ecopia	
	Continental	Sport Contact 2	
225/45 ZR 17 91W	Pirelli	P Zero Rosso	
	Dunlop	SP Sport 01A	
225/40 R 18 92Y	Bridgestone	RE 050A	
	Continental	Sport Contact 2	
225/40 ZR 18 92Y	Michelin	Pilot Exalto 2	
	Dunlop	SportMaxx	
	Dunlop	SportMaxx GT	
	Pirelli	P Zero Rosso	
235/35 R19 91Y	Dunlop	SportMaxx GT	



49.11 Summer tyres for CrossGolf from model year 2011

Observe the notes regarding the recommended makes of summer tyres ⇒ [page 462](#)

Tyre size	Make	Tread pattern	Remarks
195/65 R 15 91H	Pirelli	P 6000	
	Goodyear	NCT 5	
	Continental	Eco Contact 3	
	Michelin	Energy 3	
	Bridgestone	ER 300	
	Bridgestone	B 390	
195/65 R 15 91V	Pirelli	P 6000	
	Goodyear	NCT 5	
	Michelin	Energy 3	
	Continental	Premium Contact	
	Bridgestone	B 390	
	Bridgestone	ER 300	
205/55 R 16 91H	Michelin	Energy Saver	Rolling resistance optimised tyres ⇒ page 48
	Goodyear	Excellence	
	Continental	Premium Contact 2	
	Dunlop	SP Sport Fast Response	
205/55 R 16 91V	Pirelli	Cinturato P7	Rolling resistance optimised tyres ⇒ page 48
	Hankook	K415	
	Goodyear	NCT 5	
	Continental	Premium Contact 2	
	Michelin	Energy 3	
	Dunlop	SP Sport 01A	
	Continental	Sport Contact 2	
	Bridgestone	ER 30	
	Bridgestone	ER 300 Ecopia	
	Dunlop	SP Sport Fast Response	
	Michelin	Energy Saver	
	Goodyear	Excellence	
205/55 R 16 91W	Bridgestone	ER 30	
	Bridgestone	ER 300	
	Pirelli	Cinturato P7	
	Goodyear	NCT 5	
225/45 R 17 91W	Michelin	Premacy HP	
	Bridgestone	RE 40	
	Bridgestone	RE 50	
	Bridgestone	ER 300 Ecopia	
	Continental	Sport Contact 2	
225/45 ZR 17 91W	Pirelli	P Zero Rosso	
	Dunlop	SP Sport 01A	
225/40 R 18 92Y	Bridgestone	RE 050A	
	Continental	Sport Contact 2	
225/40 ZR 18 92Y	Michelin	Pilot Exalto 2	
	Dunlop	SportMaxx	



Tyre size	Make	Tread pattern	Remarks
	Dunlop	SportMaxx GT	
	Pirelli	P Zero Rosso	

49.12 Summer tyres Golf Cabriolet from model year 2012

Observe the notes regarding the recommended makes of summer tyres ⇒ [page 462](#)

Tyre size	Make	Tread pattern	Remarks
195/65 R 15 91T	Continental	Eco Contact 3	
	Hankook	K415	
	Michelin	Energy 3	
	Goodyear	GT3	
	Goodyear	DuraGrip	
	Michelin	Energy Saver	
195/65 R 15 91H	Pirelli	P 6000	
	Hankook	K415	
	Goodyear	NCT 5	
	Goodyear	DuraGrip	
	Goodyear	Excellence	
	Continental	Eco Contact 3	
	Michelin	Energy 3	
	Bridgestone	ER 300	
	Bridgestone	B 390	
	Michelin	Energy Saver	
195/65 R 15 95H	Michelin	Energy 3	
	Bridgestone	B 390	
195/65 R 15 91V	Pirelli	P 6000	
	Goodyear	NCT 5	
	Michelin	Energy 3	
	Continental	Premium Contact	
	Bridgestone	B 390	
	Bridgestone	ER 300	
205/55 R 16 91H	Michelin	Energy Saver	Rolling resistance optimised tyres ⇒ page 48
	Goodyear	Excellence	
	Continental	Premium Contact 2	
	Dunlop	SP Sport Fast Response	
205/55 R 16 91V	Pirelli	Cinturato P7	
	Hankook	K105	
	Goodyear	NCT 5	
	Continental	Premium Contact 2	
	Michelin	Energy 3	
	Dunlop	SP Sport 01A	
	Continental	Sport Contact 2	
	Bridgestone	ER 30	
	Bridgestone	ER 300 Ecopia	



Tyre size	Make	Tread pattern	Remarks
	Dunlop	SP Sport Fast Response	Rolling resistance optimised tyres ⇒ page 48
	Michelin	Energy Saver	
	Goodyear	Excellence	
205/55 R 16 94V Extra Load	Bridgestone	ER 300	Tyres with run-flat properties ⇒ page 45
	Michelin	Energy 3	
	Michelin	Energy Saver	
	Goodyear	NCT 5	
	Goodyear	Excellence	
	Bridgestone	ER 300 RFT	
225/45 R 17 91W	Michelin	Premacy HP	
	Bridgestone	RE 050	
	Bridgestone	ER 300 Ecopia	
	Continental	Sport Contact 2	
	Dunlop	SP Sport 01A	
225/40 R 18 92Y	Bridgestone	RE 050A	
	Michelin	Pilot Exalto 2	
	Dunlop	SportMaxx GT	
	Continental	Sport Contact 2	

49.13 Summer tyres for Golf Plus from model year 2009

Observe the notes regarding the recommended makes of summer tyres ⇒ [page 462](#)

Tyre size	Make	Tread pattern	Remarks
195/65 R 15 91H	Pirelli	P 6000	
	Goodyear	NCT 5	
	Continental	Eco Contact 3	
	Michelin	Energy 3	
	Bridgestone	ER 300	
	Bridgestone	B 390	
195/65 R 15 91V	Pirelli	P 6000	
	Goodyear	NCT 5	
	Michelin	Energy 3	
	Continental	Premium Contact	
	Bridgestone	B 390	
	Bridgestone	ER 300	
205/55 R 16 91H	Michelin	Energy Saver	Rolling resistance optimised tyres ⇒ page 48
	Goodyear	Excellence	
	Continental	Premium Contact 2	
	Dunlop	SP Sport Fast Response	
205/55 R 16 91V	Pirelli	Cinturato P7	
	Hankook	K415	
	Goodyear	NCT 5	
	Continental	Premium Contact 2	
	Michelin	Energy 3	



Tyre size	Make	Tread pattern	Remarks
	Dunlop	SP Sport 01A	Rolling resistance optimised tyres ⇒ page 48
	Continental	Sport Contact 2	
	Bridgestone	ER 30	
	Bridgestone	ER 300 Ecopia	
	Dunlop	SP Sport Fast Response	
	Michelin	Energy Saver	
	Goodyear	Excellence	
205/55 R 16 91W	Bridgestone	ER 30	
	Bridgestone	ER 300	
	Pirelli	Cinturato P7	
	Goodyear	NCT 5	
225/45 R 17 91W	Michelin	Premacy HP	
	Bridgestone	RE 40	
	Bridgestone	RE 50	
	Bridgestone	ER 300 Ecopia	
	Continental	Sport Contact 2	
225/45 ZR 17 91W	Pirelli	P Zero Rosso	
	Dunlop	SP Sport 01A	
225/40 R 18 92Y	Bridgestone	RE 050A	
	Continental	Sport Contact 2	
225/40 ZR 18 92Y	Michelin	Pilot Exalto 2	
	Dunlop	SportMaxx	
	Dunlop	SportMaxx GT	
	Pirelli	P Zero Rosso	

49.14 Summer tyres for Golf Plus BlueMotion from model year 2010

Observe the notes regarding the recommended makes of summer tyres ⇒ [page 462](#)

Tyre size	Make	Tread pattern	Remarks
195/65 R 15 91H	Pirelli	P 6000	
	Goodyear	NCT 5	
	Continental	Eco Contact 3	
	Michelin	Energy 3	
	Bridgestone	ER 300	
	Bridgestone	B 390	
195/65 R 15 91V	Pirelli	P 6000	
	Goodyear	NCT 5	
	Michelin	Energy 3	
	Continental	Premium Contact	
	Bridgestone	B 390	
	Bridgestone	ER 300	
205/55 R 16 91H	Michelin	Energy Saver	Rolling resistance optimised tyres ⇒ page 48
	Goodyear	Excellence	
	Continental	Premium Contact 2	
	Dunlop	SP Sport Fast Response	



Tyre size	Make	Tread pattern	Remarks
205/55 R 16 91V	Pirelli	Cinturato P7	Rolling resistance optimised tyres ⇒ page 48
	Hankook	K415	
	Goodyear	NCT 5	
	Continental	Premium Contact 2	
	Michelin	Energy 3	
	Dunlop	SP Sport 01A	
	Continental	Sport Contact 2	
	Bridgestone	ER 30	
	Bridgestone	ER 300 Ecopia	
	Dunlop	SP Sport Fast Response	
	Michelin	Energy Saver	
205/55 R 16 91W	Bridgestone	ER 30	
	Bridgestone	ER 300	
	Pirelli	Cinturato P7	
	Goodyear	NCT 5	
225/45 R 17 91W	Michelin	Premacy HP	
	Bridgestone	RE 40	
	Bridgestone	RE 50	
	Bridgestone	ER 300 Ecopia	
225/45 ZR 17 91W	Pirelli	P Zero Rosso	
	Dunlop	SP Sport 01A	
225/40 R 18 92Y	Bridgestone	RE 050A	
	Continental	Sport Contact 2	
225/40 ZR 18 92Y	Michelin	Pilot Exalto 2	
	Dunlop	SportMaxx	
	Dunlop	SportMaxx GT	
	Pirelli	P Zero Rosso	

49.15 Summer tyres for Golf Variant from model year 2010

Observe the notes regarding the recommended makes of summer tyres ⇒ [page 462](#)

Tyre size	Make	Tread pattern	Remarks
195/65 R 15 91H	Pirelli	P 6000	
	Goodyear	NCT 5	
	Continental	Eco Contact 3	
	Michelin	Energy 3	
	Bridgestone	ER 300	
	Bridgestone	B 390	
195/65 R 15 91V	Pirelli	P 6000	
	Goodyear	NCT 5	
	Michelin	Energy 3	
	Continental	Premium Contact	
	Bridgestone	B 390	



Tyre size	Make	Tread pattern	Remarks
	Bridgestone	ER 300	
205/55 R 16 91H	Michelin	Energy Saver	Rolling resistance optimised tyres ⇒ page 48
	Goodyear	Excellence	
	Continental	Premium Contact 2	
	Dunlop	SP Sport Fast Response	
205/55 R 16 91V	Pirelli	Cinturato P7	Rolling resistance optimised tyres ⇒ page 48
	Hankook	K415	
	Goodyear	NCT 5	
	Continental	Premium Contact 2	
	Michelin	Energy 3	
	Dunlop	SP Sport 01A	
	Continental	Sport Contact 2	
	Bridgestone	ER 30	
	Bridgestone	ER 300 Ecopia	
	Dunlop	SP Sport Fast Response	
	Michelin	Energy Saver	
	Goodyear	Excellence	
205/55 R 16 91W	Bridgestone	ER 30	
	Bridgestone	ER 300	
	Pirelli	Cinturato P7	
	Goodyear	NCT 5	
225/45 R 17 91W	Michelin	Premacy HP	
	Bridgestone	RE 40	
	Bridgestone	RE 50	
	Bridgestone	ER 300 Ecopia	
	Continental	Sport Contact 2	
225/45 ZR 17 91W	Pirelli	P Zero Rosso	
	Dunlop	SP Sport 01A	
225/40 R 18 92Y	Bridgestone	RE 050A	
	Continental	Sport Contact 2	
225/40 ZR 18 92Y	Michelin	Pilot Exalto 2	
	Dunlop	SportMaxx	
	Dunlop	SportMaxx GT	
	Pirelli	P Zero Rosso	

49.16 Summer tyres for Golf Variant BlueMotion from model year 2010

Observe the notes regarding the recommended makes of summer tyres ⇒ [page 462](#)

Tyre size	Make	Tread pattern	Remarks
195/65 R 15 91H	Pirelli	P 6000	
	Goodyear	NCT 5	
	Continental	Eco Contact 3	
	Michelin	Energy 3	
	Bridgestone	ER 300	
	Bridgestone	B 390	



Tyre size	Make	Tread pattern	Remarks	
195/65 R 15 91V	Pirelli	P 6000		
	Goodyear	NCT 5		
	Michelin	Energy 3		
	Continental	Premium Contact		
	Bridgestone	B 390		
	Bridgestone	ER 300		
205/55 R 16 91H	Michelin	Energy Saver	Rolling resistance optimised tyres ⇒ page 48	
	Goodyear	Excellence		
	Continental	Premium Contact 2		
	Dunlop	SP Sport Fast Response		
205/55 R 16 91V	Pirelli	Cinturato P7		
	Hankook	K415		
	Goodyear	NCT 5		
	Continental	Premium Contact 2		
	Michelin	Energy 3		
	Dunlop	SP Sport 01A		
	Continental	Sport Contact 2		
	Bridgestone	ER 30		
	Bridgestone	ER 300 Ecopia		
	Dunlop	SP Sport Fast Response		Rolling resistance optimised tyres ⇒ page 48
	Michelin	Energy Saver		
	Goodyear	Excellence		
205/55 R 16 91W	Bridgestone	ER 30		
	Bridgestone	ER 300		
	Pirelli	Cinturato P7		
	Goodyear	NCT 5		
225/45 R 17 91W	Michelin	Premacy HP		
	Bridgestone	RE 40		
	Bridgestone	RE 50		
	Bridgestone	ER 300 Ecopia		
	Continental	Sport Contact 2		
225/45 ZR 17 91W	Pirelli	P Zero Rosso		
	Dunlop	SP Sport 01A		
225/40 R 18 92Y	Bridgestone	RE 050A		
	Continental	Sport Contact 2		
225/40 ZR 18 92Y	Michelin	Pilot Exalto 2		
	Dunlop	SportMaxx		
	Dunlop	SportMaxx GT		
	Pirelli	P Zero Rosso		

49.17 Summer tyres for Jetta from model year 2011

Observe the notes regarding the recommended makes of summer tyres ⇒ [page 462](#)

Tyre size	Make	Tread pattern	Remarks
195/65 R 15 91H	Pirelli	P 6000	



Tyre size	Make	Tread pattern	Remarks	
	Goodyear	NCT 5		
	Continental	Eco Contact 3		
	Michelin	Energy 3		
	Bridgestone	ER 300		
	Bridgestone	B 390		
195/65 R 15 91V	Pirelli	P 6000		
	Goodyear	NCT 5		
	Michelin	Energy 3		
	Continental	Premium Contact		
	Bridgestone	B 390		
	Bridgestone	ER 300		
205/55 R 16 91H	Michelin	Energy Saver	Rolling resistance optimised tyres ⇒ page 48	
	Goodyear	Excellence		
	Continental	Premium Contact 2		
	Dunlop	SP Sport Fast Response		
205/55 R 16 91V	Pirelli	Cinturato P7		
	Hankook	K415		
	Goodyear	NCT 5		
	Continental	Premium Contact 2		
	Michelin	Energy 3		
	Dunlop	SP Sport 01A		
	Continental	Sport Contact 2		
	Bridgestone	ER 30		
	Bridgestone	ER 300 Ecopia		
	Dunlop	SP Sport Fast Response		Rolling resistance optimised tyres ⇒ page 48
	Michelin	Energy Saver		
	Goodyear	Excellence		
205/55 R 16 91W	Bridgestone	ER 30		
	Bridgestone	ER 300		
	Pirelli	Cinturato P7		
	Goodyear	NCT 5		
225/45 R 17 91W	Michelin	Premacy HP		
	Bridgestone	RE 40		
	Bridgestone	RE 50		
	Bridgestone	ER 300 Ecopia		
	Continental	Sport Contact 2		
225/45 ZR 17 91W	Pirelli	P Zero Rosso		
	Dunlop	SP Sport 01A		
225/40 R 18 92Y	Bridgestone	RE 050A		
	Continental	Sport Contact 2		
225/40 ZR 18 92Y	Michelin	Pilot Exalto 2		
	Dunlop	SportMaxx		
	Dunlop	SportMaxx GT		
	Pirelli	P Zero Rosso		



49.18 Summer tyres for Beetle from model year 2012

Observe the notes regarding the recommended makes of summer tyres ⇒ [page 462](#)

Tyre size	Make	Tread pattern
215/60 R16 95T	Bridgestone	B250 Eco
215/60 R16 95H	Bridgestone	B250 Eco
215/60 R16 95V	Continental	ProContact
215/55 R17 94V	Bridgestone	ER 300
235/45 R18 94V	Hankook	Ventus Prime 2
	Continental	ProContact
235/40 R19 92V	Continental	Sport Contact 5

49.19 Summer tyres for Scirocco from model year 2009

Observe the notes regarding the recommended makes of summer tyres ⇒ [page 462](#)

Tyre size	Make	Tread pattern
205/50 R17 89H	Dunlop	SP Sport 01
225/45 R 17 91W	Michelin	Primacy
	Continental	Sport Contact 2
	Dunlop	SP Sport 01A
	Bridgestone	ER 300
235/45 R 17 94W	Pirelli	Cinturato P7
235/40 R 18 95W	Pirelli	Cinturato P7
235/35 R 19 91Y	Pirelli	P Zero
	Continental	Sport Contact 3
	Bridgestone	RE 050A

49.20 Summer tyres for Scirocco R from model year 2010

Observe the notes regarding the recommended makes of summer tyres ⇒ [page 462](#)

Tyre size	Make	Tread pattern
205/50 R17 89H	Dunlop	SP Sport 01
225/45 R 17 91W	Michelin	Primacy
	Continental	Sport Contact 2
	Dunlop	SP Sport 01A
	Bridgestone	ER 300
235/45 R 17 94W	Pirelli	Cinturato P7
235/40 R 18 95W	Pirelli	Cinturato P7
235/35 R 19 91Y	Pirelli	P Zero
	Continental	Sport Contact 3
	Bridgestone	RE 050A



49.21 Summer tyres for Touran from model year 2003

Observe the notes regarding the recommended makes of summer tyres ⇒ [page 462](#)

Tyre size	Make	Tread pattern	Remarks
195/65 R 15 91T	Continental	Eco Contact 3	
	Michelin	Energy Saver	
	Goodyear	DuraGrip	
	Hankook	K 415	
195/65 R 15 91H	Goodyear	Excellence	
	Continental	Eco Contact 3	
	Michelin	Energy Saver	
	Bridgestone	ER 300	
	Hankook	K 415	
205/55 R 16 91H	Michelin	Energy Saver	
	Goodyear	Excellence	
	Continental	Premium Contact 2	
	Dunlop	SP Sport Fast Response	
205/55 R 16 91V	Continental	Sport Contact 2	
	Michelin	Energy Saver	
	Bridgestone	ER 300 Ecopia	
	Pirelli	Cinturato P7	
	Continental	Premium Contact 2	
	Dunlop	SP Sport Fast Response	
205/55 R 16 94V	Bridgestone	ER 300	
	Continental	Sport Contact 2	
	Michelin	Energy Saver	
225/45 R 17 91W	Michelin	Premacy HP	
	Bridgestone	RE 050	
	Bridgestone	ER 300 Ecopia	
	Dunlop	SP Sport 01A	
225/45 R 17 94W	Michelin	Premacy HP	
	Dunlop	SP Sport 01A	
	Bridgestone	ER 300	
225/40 R 18 92Y	Bridgestone	RE 050A	
	Continental	Sport Contact 2	

49.22 Summer tyres for Touran BlueMotion from model year 2009

Observe the notes regarding the recommended makes of summer tyres ⇒ [page 462](#)

Tyre size	Make	Tread pattern	Remarks
195/65 R 15 91T	Continental	Eco Contact 3	
	Michelin	Energy Saver	
	Goodyear	DuraGrip	
	Hankook	K 415	



Tyre size	Make	Tread pattern	Remarks
195/65 R 15 91H	Goodyear	Excellence	
	Continental	Eco Contact 3	
	Michelin	Energy Saver	
	Bridgestone	ER 300	
	Hankook	K 415	
205/55 R 16 91H	Michelin	Energy Saver	
	Goodyear	Excellence	
	Continental	Premium Contact 2	
	Dunlop	SP Sport Fast Response	
205/55 R 16 91V	Continental	Sport Contact 2	
	Michelin	Energy Saver	
	Bridgestone	ER 300 Ecopia	
	Pirelli	Cinturato P7	
	Continental	Premium Contact 2	
	Dunlop	SP Sport Fast Response	
205/55 R 16 94V	Bridgestone	ER 300	
	Continental	Sport Contact 2	
	Michelin	Energy Saver	

49.23 Summer tyres for CrossTouran from model year 2008

Observe the notes regarding the recommended makes of summer tyres ⇒ [page 462](#)

Tyre size	Make	Tread pattern
215/50 R 17 95V	Dunlop	SP Sport 01A
	Michelin	Primacy HP
235/45 R 17 94V	Dunlop	SP Sport 01A
	Michelin	Primacy HP

49.24 Summer tyres for Tiguan from model year 2008

Observe the notes regarding the recommended makes of summer tyres ⇒ [page 462](#)

Tyre size	Make	Tread pattern	Remarks
215/65 R 16 98H	Pirelli	P6	
	Michelin	Diamaris LT	
	Bridgestone	Dueler HP Sport	
	Goodyear	Eagle LS 2	
	Hankook	DynaPro RA23	
235/55 R 17 99H	Goodyear	Excellence	
	Michelin	Diamaris LT	
	Continental	Pro Contact	
	Bridgestone	Dueler HP Sport	
	Dunlop	SP Sport 01	



Tyre size	Make	Tread pattern	Remarks
235/50 R 18 97H	Michelin	Latitude THP	For USA
	Pirelli	Scorpion ZA	
235/50 R 18 97V	Goodyear	Eagle F1	
	Continental	CrossContact UHP	
	Dunlop	SP Sport 01	
	Bridgestone	Dueler HP Sport	
255/40 R 19 96V	Dunlop	SportMaxx GT	
255/40 R 19 96W	Pirelli	P Zero	

49.25 Summer tyres for Eos from model year 2006

Observe the notes regarding the recommended makes of summer tyres ⇒ [page 462](#)

Tyre size	Make	Tread pattern	Remarks
215/55 R 16 97W	Continental	Premium Contact 2	
	Dunlop	Fast Response	
	Goodyear	Excellence	
	Michelin	Primacy	
	Pirelli	Cinturato P7	
	Bridgestone	ER 300	
	Dunlop	SP Sport 01	
235/45 R 17 94W	Continental	Sport Contact 3	Self-sealing tyres „ContiSeal“ ⇒ Workshop manual: Running gear, axles, steering; Rep. gr. 44 ; Self-sealing tyres „ContiSeal“
235/40 R 18 95W	Continental	Sport Contact 3	Self-sealing tyres „ContiSeal“ ⇒ Workshop manual: Running gear, axles, steering; Rep. gr. 44 ; Self-sealing tyres „ContiSeal“

49.26 Summer tyres for Passat saloon from model year 2011

Observe the notes regarding the recommended makes of summer tyres ⇒ [page 462](#)

Tyre size	Make	Tread pattern	Remarks
205/55 R 16 91H	Michelin	Energy Saver	Rolling resistance optimised tyres ⇒ page 48
	Dunlop	SP Sport Fast Response	
	Goodyear	Excellence	
	Continental	Premium Contact 2e	
205/55 R 16 91V	Michelin	Energy Saver	Rolling resistance optimised tyres ⇒ page 48
	Dunlop	SP Sport Fast Response	
205/55 R 16 94V	Bridgestone	ER 300 Ecopia	
	Goodyear	Excellence	
	Michelin	Energy Saver	
215/55 R 16 97W	Bridgestone	ER 300	
	Dunlop	SP Fast Response	



Tyre size	Make	Tread pattern	Remarks
	Goodyear	Excellence	
	Michelin	Primacy	
	Pirelli	Cinturato P7	
	Continental	Premium Contact 2e	
235/45 R 17 94W	Continental	Sport Contact 3	Self-sealing tyres „ContiSeal“ ⇒ Workshop manual: Running gear, axles, steering; Rep. gr. 44 ; Self-sealing tyres „ContiSeal“
235/40 R 18 95W	Continental	Sport Contact 3	Self-sealing tyres „ContiSeal“ ⇒ Workshop manual: Running gear, axles, steering; Rep. gr. 44 ; Self-sealing tyres „ContiSeal“

49.27 Summer tyres for Passat Variant from model year 2011

Observe the notes regarding the recommended makes of summer tyres ⇒ [page 462](#)

Tyre size	Make	Tread pattern	Remarks
205/55 R 16 91H	Michelin	Energy Saver	Rolling resistance optimised tyres ⇒ page 48
	Dunlop	SP Sport Fast Response	
	Goodyear	Excellence	
	Continental	Premium Contact 2e	
205/55 R 16 91V	Michelin	Energy Saver	Rolling resistance optimised tyres ⇒ page 48
	Dunlop	SP Sport Fast Response	
205/55 R 16 94V	Bridgestone	ER 300 Ecopia	
	Goodyear	Excellence	
	Michelin	Energy Saver	
215/55 R 16 97W	Bridgestone	ER 300	
	Dunlop	SP Fast Response	
	Goodyear	Excellence	
	Michelin	Primacy	
	Pirelli	Cinturato P7	
	Continental	Premium Contact 2e	
235/45 R 17 94W	Continental	Sport Contact 3	Self-sealing tyres „ContiSeal“ ⇒ Workshop manual: Running gear, axles, steering; Rep. gr. 44 ; Self-sealing tyres „ContiSeal“
235/40 R 18 95W	Continental	Sport Contact 3	Self-sealing tyres „ContiSeal“ ⇒ Workshop manual: Running gear, axles, steering; Rep. gr. 44 ; Self-sealing tyres „ContiSeal“



49.28 Summer tyres Passat CC from model year 2009, CC from model year 2010

Observe the notes regarding the recommended makes of summer tyres ⇒ [page 462](#)

Tyre size	Make	Tread pattern	Remarks
235/45 R 17 94W	Continental	Sport Contact 3	Self-sealing tyres „ContiSeal“ ⇒ Workshop manual: Running gear, axles, steering; Rep. gr. 44 ; Self-sealing tyres „ContiSeal“
235/40 R 18 95W	Continental	Sport Contact 3	
235/35 R 19 91Y	Continental	Sport Contact 3	

49.29 Summer tyres for Sharan from model year 2011

Observe the notes regarding the recommended makes of summer tyres ⇒ [page 462](#)

Tyre size	Make	Tread pattern	Remarks
205/60 R 16 96H	Continental	PremiumContact2	Self-sealing tyres „ContiSeal“ ⇒ Workshop manual: Running gear, axles, steering; Rep. gr. 44 ; Self-sealing tyres „ContiSeal“
215/60 R 16 95H	Continental	PremiumContact2	
215/60 R 16 95V	Continental	PremiumContact2	
225/50 R 17 98H	Continental	PremiumContact2	
225/50 R 17 98V	Continental	PremiumContact2	
225/45 R 18 95W	Continental	PremiumContact3	

XL means „Extra Load“ Notes ⇒ [page 16](#)

49.30 Summer tyres for Phaeton from model year 2003

Observe the notes regarding the recommended makes of summer tyres ⇒ [page 462](#)

Tyre size	Make	Tread pattern
235/60 R 16 100Y	Bridgestone	RE 030
	Dunlop	SP 9000
235/55 R 17 99Y	Bridgestone	RE 030
	Goodyear	NCT 5
	Dunlop	SP 9000
	Dunlop	SportMaxx GT
235/50 R 18 101Y XL	Michelin	Primacy
	Bridgestone	RE 040
	Dunlop	SP Sport 01
255/45 R 18 103Y XL	Dunlop	SP 9000
	Bridgestone	RE 040
	Michelin	Primacy
245/45 R 19 102Y XL	Dunlop	Sport Maxx GT
255/40 R 19 100Y XL	Pirelli	P Zero r
	Dunlop	SportMaxx
	Dunlop	SP Sport 01
275/40 R 19 105Y	Michelin	Primacy
275/35 R 20 102Y XL	Pirelli	P Zero



XL means „Extra Load“ ⇒ [page 16](#)

49.31 Summer tyres for Touareg from model year 2010

Observe the notes regarding the recommended makes of summer tyres ⇒ [page 462](#)

Tyre size	Make	Tread pattern
235/65 R 17 108V	Bridgestone	Dueler HPS
	Pirelli	Scorpio Verde
	Michelin	Latitude Diamaris
255/60 R 17 106V	Goodyear	Eagle F1
	Pirelli	Scorpio Verde
255/55 R 18 109V	Michelin	Latitude Tour HP
255/55 R 18 109W XL	Goodyear	Eagle F1
	Bridgestone	Dueler HP Sport
	Michelin	Latitude Sport
265/50 R 19 110W XL	Pirelli	Scorpio Verde
	Bridgestone	Dueler HP Sport
275/45 R 20 110W XL	Goodyear	Eagle F1
	Michelin	Latitude Sport
275/40 R 21 107W XL	Dunlop	Quattro Maxx

XL means „Extra Load“ Notes ⇒ [page 16](#)

49.32 Summer tyres for Touareg hybrid from model year 2011

Observe the notes regarding the recommended makes of summer tyres ⇒ [page 462](#)

Tyre size	Make	Tread pattern
255/55 R 18 109V	Michelin	Latitude Tour HP
255/55 R 18 109W XL	Goodyear	Eagle F1
	Bridgestone	Dueler HP Sport
	Michelin	Latitude Sport
265/50 R 19 110W XL	Pirelli	Scorpio Verde
	Bridgestone	Dueler HP Sport
275/45 R 20 110W XL	Goodyear	Eagle F1
	Michelin	Latitude Sport

XL means „Extra Load“ Notes ⇒ [page 16](#)



50 Recommended all-season tyres

Notes regarding the recommended makes of all-season tyre

- ◆ Tyres are one of the most important elements in motor vehicle construction and have a major influence on road safety. They must therefore satisfy numerous conditions which are specified for tyre manufacturers in DIN (German industrial standards) and the directives of the German rubber industry e. V. (W.d.K.). In addition, comprehensive testing is carried out at Volkswagen before tyres are approved for initial fitting on our vehicles.
- ◆ The tyre makes/tread patterns indicated in the following satisfy the aforementioned requirements. We therefore recommend that these tyre makes/tread patterns be used when the vehicle's tyres are replaced.
- ◆ The following lists show all tyre makes and tread patterns that are fitted to VW vehicles ex-works at the time of manufacture..
- ◆ The listed tyre makes and tread patterns correspond to the latest state-of-the-art at the time of going to print. Like any other product, the tyres especially are subject to continuous further development. Changes in the tyre makes and tread patterns are therefore possible at short notice at any time in the future. If a tread pattern can no longer be supplied, we recommend the subsequent tread pattern of the respective tyre make as a substitute.
- ◆ Bear in mind the special aspects that need to be taken into account in the case of tyres with emergency running properties ⇒ [page 45](#) .
- ◆ Bear in mind the special aspects of self-sealing tyres „ContiSeal“ ⇒ Repair manual for running gear, axles, steering; Rep. gr. 44 ; Self-sealing tyres „ContiSeal“ .

50.1 All-season tyres for Polo from model year 2010

Observe the notes regarding the recommended makes of all-season tyres ⇒ [page 484](#)

Tyre size	Make	Tread pattern
175/70 R 14 88T	Dunlop	SP Sport 01 AS
185/60 R 15 88H	Dunlop	SP Sport 01 AS

50.2 All-season tyres for Polo BlueMotion from model year 2010

Observe the notes regarding the recommended makes of all-season tyres ⇒ [page 484](#)

Tyre size	Make	Tread pattern
185/60 R 15 88H	Dunlop	SP Sport 01 AS

50.3 All-season tyres for CrossPolo from model year 2011

Observe the notes regarding the recommended makes of all-season tyres ⇒ [page 484](#)

Tyre size	Make	Tread pattern
175/70 R 14 88T	Dunlop	SP Sport 01 AS
185/60 R 15 88H	Dunlop	SP Sport 01 AS



50.4 All-season tyres for Polo GTI from model year 2011

Observe the notes regarding the recommended makes of all-season tyres ⇒ [page 484](#)

Tyre size	Make	Tread pattern
185/60 R 15 88H	Dunlop	SP Sport 01 AS

50.5 All-season tyres for Golf from model year 2009

Observe the notes regarding the recommended makes of all-season tyres ⇒ [page 484](#)

Tyre size	Make	Tread pattern	Remarks
195/65 R 15 91H	Dunlop	AS M2	
	Goodyear	Vector EV2	
	Continental	Pro Contact	
205/55 R 16 91H	Michelin	MXV 4 S8	For USA
	Goodyear	Eagle LS	
	Continental	Pro Contact	
	Bridgestone	EL 400	
	Hankook	Optimo H725H	
205/55 R 16 94V	Goodyear	Vector 2	
205/50 R 17 93V	Continental	TS815C3	Self-sealing tyres „ContiSeal“ ⇒ Workshop manual: Running gear, axles, steering; Rep. gr. 44 ; Self-sealing tyres „ContiSeal“
225/45 R 17 91H	Michelin	MXM 4	For USA
	Continental	Pro Contact	
	Goodyear	Eagle RSA	
225/40 R 18 92H	Bridgestone	RE 050	For USA

50.6 All-season tyres for CrossGolf from model year 2011

Observe the notes regarding the recommended makes of all-season tyres ⇒ [page 484](#)

Tyre size	Make	Tread pattern	Remarks
195/65 R 15 91H	Dunlop	AS M2	
	Goodyear	Vector EV2	
205/55 R 16 94V	Goodyear	Vector 2	
205/50 R 17 93V	Continental	TS815C3	Self-sealing tyres „ContiSeal“ ⇒ Workshop manual: Running gear, axles, steering; Rep. gr. 44 ; Self-sealing tyres „ContiSeal“



50.7 All-weather tyres Golf Cabriolet from model year 2012

Observe the notes regarding the recommended makes of all-season tyres ⇒ [page 484](#)

Tyre size	Make	Tread pattern	Remarks
195/65 R 15 91H	Dunlop	AS M2	
	Goodyear	Vector EV2	
	Continental	Pro Contact	
205/55 R 16 91H	Michelin	MXV 4 S8	For USA
	Goodyear	Eagle LS	
	Continental	Pro Contact	
	Bridgestone	EL 400	
	Hankook	Optima H725H	
205/55 R 16 94V	Goodyear	Vector 2	
205/50 R 17 93V	Continental	TS815C3	Self-sealing tyres „ContiSeal“ ⇒ Workshop manual: Running gear, axles, steering; Rep. gr. 44 ; Self-sealing tyres „Conti-Seal“
225/45 R 17 91H	Michelin	MXM 4	For USA
	Continental	Pro Contact	
	Goodyear	Eagle RSA	
225/40 R 18 92H	Bridgestone	RE 050	For USA

50.8 All-season tyres for Golf Plus from model year 2009

Observe the notes regarding the recommended makes of all-season tyres ⇒ [page 484](#)

Tyre size	Make	Tread pattern	Remarks
195/65 R 15 91H	Dunlop	AS M2	
	Goodyear	Vector EV2	
	Continental	Pro Contact	
205/55 R 16 91H	Michelin	MXV 4 S8	For USA
	Goodyear	Eagle LS	
	Continental	Pro Contact	
	Bridgestone	EL 400	
	Hankook	Optimo H725H	
205/55 R 16 94V	Goodyear	Vector 2	
205/50 R 17 93V	Continental	TS815C3	Self-sealing tyres „ContiSeal“ ⇒ Workshop manual: Running gear, axles, steering; Rep. gr. 44 ; Self-sealing tyres „Conti-Seal“
225/45 R 17 91H	Michelin	MXM 4	For USA
	Continental	Pro Contact	
	Goodyear	Eagle RSA	
225/40 R 18 92H	Bridgestone	RE 050	For USA



50.9 All-season tyres for Golf Variant from model year 2010

Observe the notes regarding the recommended makes of all-season tyres ⇒ [page 484](#)

Tyre size	Make	Tread pattern	Remarks
195/65 R 15 91H	Dunlop	AS M2	
	Goodyear	Vector EV2	
	Continental	Pro Contact	
205/55 R 16 91H	Michelin	MXV 4 S8	For USA
	Goodyear	Eagle LS	
	Continental	Pro Contact	
	Bridgestone	EL 400	
	Hankook	Optimo H725H	
205/55 R 16 94V	Goodyear	Vector 2	
205/50 R 17 93V	Continental	TS815C3	Self-sealing tyres „ContiSeal“ ⇒ Workshop manual: Running gear, axles, steering; Rep. gr. 44 ; Self-sealing tyres „ContiSeal“
225/45 R 17 91H	Michelin	MXM 4	For USA
	Continental	Pro Contact	
	Goodyear	Eagle RSA	
225/40 R 18 92H	Bridgestone	RE 050	For USA

50.10 All-season tyres for Jetta from model year 2011

Observe the notes regarding the recommended makes of all-season tyres ⇒ [page 484](#)

Tyre size	Make	Tread pattern	Remarks
195/65 R 15 91H	Dunlop	AS M2	
	Goodyear	Vector EV2	
205/55 R 16 94V	Goodyear	Vector 2	
205/50 R 17 93V	Continental	TS815C3	Self-sealing tyres „ContiSeal“ ⇒ Workshop manual: Running gear, axles, steering; Rep. gr. 44 ; Self-sealing tyres „ContiSeal“

50.11 All-season tyres for Jetta from model year 2011 (NAR)

Observe the notes regarding the recommended makes of all-season tyres ⇒ [page 484](#)

Tyre size	Make	Tread pattern
195/65 R 15 91H	Continental	Pro Contact
205/55 R 16 91H	Continental	Pro Contact
	Hankook	Optimo H725A
225/45 R 17 91H	Continental	Pro Contact
225/40 R 18 92H	Dunlop	SP Sport 01AS
	Pirelli	P Zero Nero



50.12 All-season tyres for Touran from model year 2003

Observe the notes regarding the recommended makes of all-season tyres ⇒ [page 484](#)

Tyre size	Make	Tread pattern
195/65 R 15 91H	Goodyear	Vector 4 Seasons
	Goodyear	Vector EV 2
	Dunlop	AS M2
205/55 R 16 94V Extra Load	Goodyear	Vector EV 2

50.13 All-season tyres for Beetle from model year 2012

Observe the notes regarding the recommended makes of all-season tyres ⇒ [page 484](#)

Tyre size	Make	Tread pattern	Remarks
215/60 R16 95V	Goodyear	Vector 4 Seasons	
235/45 R18 94H	Hankook	Optimo H426	For USA
235/40 R19 92H	Continental	ProContact	

50.14 All-season tyres for Tiguan from model year 2008

Observe the notes regarding the recommended makes of all-season tyres ⇒ [page 484](#)

Tyre size	Make	Tread pattern	Remarks
215/65 R 16 98H	Dunlop	GT Touring AS	
	Goodyear	Vector 4 Seasons	
	Michelin	Latitude THP	For USA
	Pirelli	Scorpion STR	
215/60 R 17 96H	Goodyear	Vector 4 Seasons	
235/55 R 17 99H	Michelin	Latitude THP	For USA
	Continental	Pro Contact	
235/50 R 18 97H/V	Dunlop	SP 01 AS	

50.15 All-season tyres for Eos from model year 2006

Observe the notes regarding the recommended makes of all-season tyres ⇒ [page 484](#)

Tyre size	Make	Tread pattern	Remarks
205/55 R16 94V	Goodyear	Vector 2	
215/55 R 16 97H	Goodyear	Eagle LS2	For USA
	Michelin	MXM 4	
	Continental	Pro Contact	
235/45 R 17 97H	Michelin	MXM 4	For USA
	Goodyear	Eagle LS	
	Continental	Pro Contact	



Tyre size	Make	Tread pattern	Remarks
235/40 R 18 95H	Pirelli	P6 4Season	For USA

50.16 All-season tyres for Passat saloon from model year 2011

Observe the notes regarding the recommended makes of all-season tyres ⇒ [page 484](#)

Tyre size	Make	Tread pattern	Remarks
205/55 R 16 94V	Goodyear	Vector 2+	
205/55 R17 93V	Continental	TS815CS	Self-sealing tyres „ContiSeal“ ⇒ Workshop manual: Running gear, axles, steering; Rep. gr. 44 ; Self-sealing tyres „ContiSeal“

50.17 All-season tyres for Passat Variant from model year 2011

Observe the notes regarding the recommended makes of all-season tyres ⇒ [page 484](#)

Tyre size	Make	Tread pattern	Remarks
205/55 R 16 94V	Goodyear	Vector 2+	
205/55 R17 93V	Continental	TS815CS	Self-sealing tyres „ContiSeal“ ⇒ Workshop manual: Running gear, axles, steering; Rep. gr. 44 ; Self-sealing tyres „ContiSeal“

50.18 All-season tyres Passat CC from model year 2009, CC from model year 2010

Observe the notes regarding the recommended makes of all-season tyres ⇒ [page 484](#)

Tyre size	Make	Tread pattern	Remarks
205/50 R 17 93V	Continental	TS815CS	Self-sealing tyres „ContiSeal“ ⇒ Workshop manual: Running gear, axles, steering; Rep. gr. 44 ; Self-sealing tyres „ContiSeal“
235/45 R 17 94H	Continental	Pro Contact	Only for USA
235/40 R 18 95H	Continental	Pro Contact	Self-sealing tyres „ContiSeal“ ⇒ Workshop manual: Running gear, axles, steering; Rep. gr. 44 ; Self-sealing tyres „ContiSeal“



50.19 All-season tyres for Sharan from model year 2011

Observe the notes regarding the recommended makes of all-season tyres ⇒ [page 484](#)

Tyre size	Make	Tread pattern	Remarks
205/60 R 16 96H	Continental	TS 815	Self-sealing tyres „ContiSeal“ ⇒ Workshop manual: Running gear, axles, steering; Rep. gr. 44 ; Self-sealing tyres „ContiSeal“

50.20 All-season tyres for Phaeton from model year 2003

Observe the notes regarding the recommended makes of all-season tyres ⇒ [page 484](#)

Tyre size	Make	Tread pattern	Remarks
235/55 R 17 103H XL	Michelin	MXM 4	For USA
255/45 R 18 103H XL	Michelin	MXM 4	

XL means „Extra Load“ Notes ⇒ [page 16](#)

50.21 All-season tyres for Touareg from model year 2010

Observe the notes regarding the recommended makes of all-season tyres ⇒ [page 484](#)

Tyre size	Make	Tread pattern	Remarks
255/60 R 17 106V	Dunlop	GT Touring All Seasons	
255/55 R 18 109H XL	Pirelli	Scorpio Verde All Seasons	For USA
	Goodyear	Eagle LS2	
255/55 R 18 109V XL	Michelin	Latitude Tour HP	
	Goodyear	Eagle LS 2	
265/50 R 19 110H XL	Pirelli	Scorpio Verde All Seasons	For USA
	Goodyear	Eagle LS2	
265/50 R 19 110V XL	Michelin	Latitude Tour HP	
	Goodyear	Eagle LS 2	
275/45 R20 110H XL	Goodyear	Eagle LS2	For USA
	Continental	CrossContact LX Sport	

XL means „Extra Load“ Notes ⇒ [page 16](#)

50.22 All-season tyres Touareg hybrid from model year 2010

Observe the notes regarding the recommended makes of all-season tyres ⇒ [page 484](#)

Tyre size	Make	Tread pattern	Remarks
265/50 R 19 110H XL	Pirelli	Scorpio Verde All Seasons	For USA
	Goodyear	Eagle LS2	
265/50 R 19 110V XL	Michelin	Latitude Tour HP	



Tyre size	Make	Tread pattern	Remarks
	Goodyear	Eagle LS 2	
275/45 R20 110H XL	Goodyear	Eagle LS2	For USA
	Continental	CrossContact LX Sport	

XL means „Extra Load“ Notes ⇒ [page 16](#)





51 Recommended winter tyres

Notes regarding the recommended makes of winter tyre

- ◆ Tyres are one of the most important elements in motor vehicle construction and have a major influence on road safety. They must therefore satisfy numerous conditions which are specified for tyre manufacturers in DIN (German industrial standards) and the directives of the German rubber industry e. V. (W.d.K.). In addition, comprehensive testing is carried out at Volkswagen before tyres are approved for initial fitting on our vehicles.
- ◆ The tyre makes/tread patterns indicated in the following satisfy the aforementioned requirements. We therefore recommend that these tyre makes/tread patterns be used when the vehicle's tyres are replaced.
- ◆ The following lists show all tyre makes and tread patterns that are fitted to VW vehicles ex-works at the time of manufacture..
- ◆ The listed tyre makes and tread patterns correspond to the latest state-of-the-art at the time of going to print. Like any other product, the tyres especially are subject to continuous further development. Changes in the tyre makes and tread patterns are therefore possible at short notice at any time in the future. If a tread pattern can no longer be supplied, we recommend the subsequent tread pattern of the respective tyre make as a substitute.
- ◆ Bear in mind the special aspects that need to be taken into account in the case of tyres with emergency running properties ⇒ [page 45](#) .
- ◆ Bear in mind the special aspects of self-sealing tyres „ContiSeal“ ⇒ Repair manual for running gear, axles, steering; Rep. gr. 44 : Self-sealing tyres „ContiSeal“ .

51.1 Winter tyres for Fox from model year 2006

Observe the notes regarding the recommended makes of winter tyres ⇒ [page 492](#)

Tyre size	Make	Tread pattern
165/70 R 14 81T	Continental	TS 780 Winter Contact
	Dunlop	SP Winter Sport M2
	Michelin	XM + S Alpin
	Goodyear	Ultra Grip 5
185/60 R 14 82Q/T	Pirelli	W190 SnowControl
	Goodyear	Ultra Grip 7+

51.2 Winter tyres for Polo from model year 2010

Observe the notes regarding the recommended makes of winter tyres ⇒ [page 492](#)

Tyre size	Make	Tread pattern
175/70 R 14 88T	Dunlop	Winter Response
185/60 R 15 88T	Dunlop	Winter Response
	Nokian	WR G2
	Goodyear	Ultra Grip 7+



51.3 Winter tyres for Polo BlueMotion from model year 2010

Observe the notes regarding the recommended makes of winter tyres ⇒ [page 492](#)

Tyre size	Make	Tread pattern
185/60 R 15 88T	Dunlop	Winter Response
	Nokian	WR G2
	Goodyear	Ultra Grip 7+

51.4 Winter tyres for CrossPolo from model year 2011

Observe the notes regarding the recommended makes of winter tyres ⇒ [page 492](#)

Tyre size	Make	Tread pattern
175/70 R 14 88T	Dunlop	Winter Response
185/60 R 15 88T	Dunlop	Winter Response
	Nokian	WR G2
	Goodyear	Ultra Grip 7+

51.5 Winter tyres for Polo GTI from model year 2011

Observe the notes regarding the recommended makes of winter tyres ⇒ [page 492](#)

Tyre size	Make	Tread pattern
185/60 R 15 88T	Dunlop	Winter Response
	Nokian	WR G2
	Goodyear	Ultra Grip 7+

51.6 Winter tyres for Golf from model year 2009

Observe the notes regarding the recommended makes of winter tyres ⇒ [page 492](#)

Tyre size	Make	Tread pattern
195/65 R 15 91H	Dunlop	Winter Sport 3D
	Goodyear	Ultra Grip GW 3
	Continental	TS 810
	Vredestein	Snowtrac 2
	Nokian	WR
	Bridgestone	LM25
	Bridgestone	LM32
205/55 R 16 91H	Dunlop	Winter Sport 3D
	Goodyear	Ultra Grip Performance
	Pirelli	W210 SZ
	Bridgestone	LM32
205/50 R 17 93H	Dunlop	Winter Sport 3D



51.7 Winter tyres for Golf BlueMotion from model year 2009

Observe the notes regarding the recommended makes of winter tyres ⇒ [page 492](#)

Tyre size	Make	Tread pattern
195/65 R 15 91H	Dunlop	Winter Sport 3D
	Goodyear	Ultra Grip GW 3
	Continental	TS 810
	Vredestein	Snowtrac 2
	Nokian	WR
	Bridgestone	LM25
	Bridgestone	LM32

51.8 Winter tyres for Golf GTD from model year 2009

Observe the notes regarding the recommended makes of winter tyres ⇒ [page 492](#)

Tyre size	Make	Tread pattern
205/55 R 16 91H	Dunlop	Winter Sport 3D
	Goodyear	Ultra Grip Performance
	Pirelli	W210 SZ
	Bridgestone	LM32
205/50 R 17 93H	Dunlop	Winter Sport 3D

51.9 Winter tyres for Golf GTI from model year 2009

Observe the notes regarding the recommended makes of winter tyres ⇒ [page 492](#)

Tyre size	Make	Tread pattern
205/55 R 16 91H	Dunlop	Winter Sport 3D
	Goodyear	Ultra Grip Performance
	Pirelli	W210 SZ
	Bridgestone	LM32
205/50 R 17 93H	Dunlop	Winter Sport 3D

51.10 Winter tyres for Golf R from model year 2010

Observe the notes regarding the recommended makes of winter tyres ⇒ [page 492](#)

Tyre size	Make	Tread pattern
205/50 R 17 93H	Dunlop	Winter Sport 3D



51.11 Winter tyres for CrossGolf from model year 20011

Observe the notes regarding the recommended makes of winter tyres => [page 492](#)

Tyre size	Make	Tread pattern
195/65 R 15 91H	Dunlop	Winter Sport 3D
	Goodyear	Ultra Grip GW 3
	Continental	TS 810
	Vredestein	Snowtrac 2
	Nokian	WR
	Bridgestone	LM25
	Bridgestone	LM32
205/55 R 16 91H	Dunlop	Winter Sport 3D
	Goodyear	Ultra Grip Performance
	Pirelli	W210 SZ
	Bridgestone	LM32
205/50 R 17 93H	Dunlop	Winter Sport 3D

51.12 Winter tyres Golf Cabriolet from model year 2012

Observe the notes regarding the recommended makes of winter tyres => [page 492](#)

Tyre size	Make	Tread pattern
195/65 R 15 91H	Dunlop	Winter Sport 3D
	Goodyear	Ultra Grip GW 3
	Continental	TS 810
	Vredestein	Snowtrac 2
	Nokian	WR
	Bridgestone	LM25
	Bridgestone	LM32
205/55 R 16 91H	Dunlop	Winter Sport 3D
	Goodyear	Ultra Grip Performance
	Pirelli	W210 SZ
	Bridgestone	LM32
205/50 R 17 93H	Dunlop	Winter Sport 3D

51.13 Winter tyres for Golf Plus from model year 2009

Observe the notes regarding the recommended makes of winter tyres => [page 492](#)

Tyre size	Make	Tread pattern
195/65 R 15 91H	Dunlop	Winter Sport 3D
	Goodyear	Ultra Grip GW 3
	Continental	TS 810
	Vredestein	Snowtrac 2
	Nokian	WR
	Bridgestone	LM25



Tyre size	Make	Tread pattern
	Bridgestone	LM32
205/55 R 16 91H	Dunlop	Winter Sport 3D
	Goodyear	Ultra Grip Performance
	Pirelli	W210 SZ
	Bridgestone	LM32
205/50 R 17 93H	Dunlop	Winter Sport 3D

51.14 Winter tyres for Golf Plus BlueMotion from model year 2010

Observe the notes regarding the recommended makes of winter tyres => [page 492](#)

Tyre size	Make	Tread pattern
195/65 R 15 91H	Dunlop	Winter Sport 3D
	Goodyear	Ultra Grip GW 3
	Continental	TS 810
	Vredestein	Snowtrac 2
	Nokian	WR
	Bridgestone	LM25
	Bridgestone	LM32

51.15 Winter tyres for Golf Variant from model year 2010

Observe the notes regarding the recommended makes of winter tyres => [page 492](#)

Tyre size	Make	Tread pattern
195/65 R 15 91H	Dunlop	Winter Sport 3D
	Goodyear	Ultra Grip GW 3
	Continental	TS 810
	Vredestein	Snowtrac 2
	Nokian	WR
	Bridgestone	LM25
	Bridgestone	LM32
205/55 R 16 91H	Dunlop	Winter Sport 3D
	Goodyear	Ultra Grip Performance
	Pirelli	W210 SZ
	Bridgestone	LM32
205/50 R 17 93H	Dunlop	Winter Sport 3D

51.16 Winter tyres for Golf Variant BlueMotion from model year 2010

Observe the notes regarding the recommended makes of winter tyres => [page 492](#)

Tyre size	Make	Tread pattern
195/65 R 15 91H	Dunlop	Winter Sport 3D
	Goodyear	Ultra Grip GW 3
	Continental	TS 810



Tyre size	Make	Tread pattern
	Vredestein	Snowtrac 2
	Nokian	WR
	Bridgestone	LM25
	Bridgestone	LM32

51.17 Winter tyres for Jetta from model year 2011

Observe the notes regarding the recommended makes of winter tyres => [page 492](#)

Tyre size	Make	Tread pattern
195/65 R 15 91H	Dunlop	Winter Sport 3D
	Goodyear	Ultra Grip GW 3
	Continental	TS 810
	Vredestein	Snowtrac 2
	Nokian	WR
	Bridgestone	LM25
	Bridgestone	LM32
205/55 R 16 91H	Dunlop	Winter Sport 3D
	Goodyear	Ultra Grip Performance
	Pirelli	W210 SZ
	Bridgestone	LM32
205/50 R 17 93H	Dunlop	Winter Sport 3D
	Continental	TS 815 CS

51.18 Winter tyres for Beetle from model year 2012

Information on the recommended winter tyres was not available at time of going to print.

51.19 Winter tyres for Scirocco from model year 2009

Observe the notes regarding the recommended makes of winter tyres => [page 492](#)

Tyre size	Make	Tread pattern	Remarks
205/55 R 16 91H	Dunlop	Winter Sport 3D	
	Pirelli	Winter 210 SZ	
205/50 R 17 93H	Continental	TS 830P	

51.20 Winter tyres for Scirocco R from model year 2010

Observe the notes regarding the recommended makes of winter tyres => [page 492](#)

Tyre size	Make	Tread pattern	Remarks
205/50 R 17 93H	Continental	TS 830P	



51.21 Winter tyres for Touran from model year 2003

Observe the notes regarding the recommended makes of winter tyres ⇒ [page 492](#)

Tyre size	Make	Tread pattern	Remarks
195/65 R 15 91Q	Michelin	X-Ice	• Only for Japan: all engines
195/65 R 15 91H	Continental	TS 810	
	Dunlop	Winter Sport 3D	
	Bridgestone	Blizzak LM25	
	Bridgestone	Blizzak LM32	
205/55 R 16 91Q	Michelin	X-Ice	• Only for Japan: all engines
205/55 R 16 91H	Dunlop	Winter Sport 3D	
	Bridgestone	Blizzak LM32	
205/55 R 16 94H	Dunlop	Winter Sport 3D	
	Bridgestone	Blizzak LM32	

51.22 Winter tyres for Touran BlueMotion from model year 2009

Observe the notes regarding the recommended makes of winter tyres ⇒ [page 492](#)

Tyre size	Make	Tread pattern	Remarks
195/65 R 15 91H	Continental	TS 810	
	Dunlop	Winter Sport 3D	
	Bridgestone	Blizzak LM25	
	Bridgestone	Blizzak LM32	
205/55 R 16 91H	Dunlop	Winter Sport 3D	
	Bridgestone	Blizzak LM32	
205/55 R 16 94H	Dunlop	Winter Sport 3D	
	Bridgestone	Blizzak LM32	

51.23 Winter tyres for CrossTouran from model year 2008

Observe the notes regarding the recommended makes of winter tyres ⇒ [page 492](#)

Tyre size	Make	Tread pattern	Remarks
195/65 R 15 91Q	Michelin	X-Ice	• Only for Japan: all engines
195/65 R 15 91H	Continental	TS 810	
	Dunlop	Winter Sport 3D	
	Bridgestone	Blizzak LM25	
	Bridgestone	Blizzak LM32	
205/55 R 16 91Q	Michelin	X-Ice	• Only for Japan: all engines
205/55 R 16 91H	Dunlop	Winter Sport 3D	
	Bridgestone	Blizzak LM32	
205/55 R 16 94H	Dunlop	Winter Sport 3D	
	Bridgestone	Blizzak LM32	



51.24 Winter tyres for Tiguan from model year 2008

Observe the notes regarding the recommended makes of winter tyres ⇒ [page 492](#)

Tyre size	Make	Tread pattern	Remarks
215/65 R 16 98H	Pirelli	Winter Sport 210 Snow-sport	
	Dunlop	Winter Sport 3D	
	Vredestein	Wintrac Xtreme	

51.25 Winter tyres for Eos from model year 2006

Observe the notes regarding the recommended makes of winter tyres ⇒ [page 492](#)

Tyre size	Make	Tread pattern	Remarks
205/55 R 16 94H	Dunlop	Winter Sport 3D	
	Pirelli	Winter 210 SZ	
205/50 R 17 93H	Dunlop	Winter Sport 3D	
	Michelin	Pilot Alpin2	
	Continental	TS830P	Self-sealing tyres „ContiSeal“ ⇒ Workshop manual: Running gear, axles, steering; Rep. gr. 44 ; Self-sealing tyres „Conti-Seal“
	Continental	TS810	

51.26 Winter tyres for Passat saloon from model year 2011

Observe the notes regarding the recommended makes of winter tyres ⇒ [page 492](#)

Tyre size	Make	Tread pattern	Remarks
205/55 R 16 91H	Dunlop	Winter Sport 3D	
205/55 R 16 94H	Dunlop	Winter Sport 3D	
205/50 R 17 93H	Dunlop	Winter Sport 3D	
	Continental	TS830P	Self-sealing tyres „ContiSeal“ ⇒ Workshop manual: Running gear, axles, steering; Rep. gr. 44 ; Self-sealing tyres „Conti-Seal“
235/45 R 17 94H	Dunlop	Winter Sport 3D	

XL means „Extra Load“ ⇒ [page 16](#)

51.27 Winter tyres for Passat Variant from model year 2011

Observe the notes regarding the recommended makes of winter tyres ⇒ [page 492](#)

Tyre size	Make	Tread pattern	Remarks
205/55 R 16 91H	Dunlop	Winter Sport 3D	
205/55 R 16 94H	Dunlop	Winter Sport 3D	
205/50 R 17 93H	Dunlop	Winter Sport 3D	



Tyre size	Make	Tread pattern	Remarks
	Continental	TS830P	Self-sealing tyres „ContiSeal“ ⇒ Workshop manual: Running gear, axles, steering; Rep. gr. 44 ; Self-sealing tyres „Conti-Seal“
235/45 R 17 94H	Dunlop	Winter Sport 3D	

XL means „Extra Load“ ⇒ [page 16](#)

51.28 Winter tyres Passat CC from model year 2009, CC from model year 2010

Observe the notes regarding the recommended makes of winter tyres ⇒ [page 492](#)

Tyre size	Make	Tread pattern	Remarks
205/50 R 17 93H	Continental	TS830 P	Self-sealing tyres „ContiSeal“ ⇒ Workshop manual: Running gear, axles, steering; Rep. gr. 44 ; Self-sealing tyres „Conti-Seal“

51.29 Winter tyres for Sharan from model year 2011

Observe the notes regarding the recommended makes of winter tyres ⇒ [page 492](#)

Tyre size	Make	Tread pattern
205/60 R 16 96H	Continental	TS 830P

XL means „Extra Load“ ⇒ [page 16](#)

51.30 Winter tyres for Phaeton from model year 2003

Observe the notes regarding the recommended makes of winter tyres ⇒ [page 492](#)

Tyre size	Make	Tread pattern
235/55 R 17 99H	Dunlop	Winter Sport 3D
235/50 R 18 103H XL	Dunlop	Winter Sport 3D
245/45 R 19 102V XL	Dunlop	Winter Sport 3D

XL means „Extra Load“ ⇒ [page 16](#)

51.31 Winter tyres for Touareg from model year 2010

Observe the notes regarding the recommended makes of winter tyres ⇒ [page 492](#)

Tyre size	Make	Tread pattern
235/65 R 17 108H	Dunlop	Winter Sport 3D
	Pirelli	Scorpion
	Vredestein	Wintrac 4XTreme
255/55 R 18 109V	Dunlop	Winter Sport 3D
	Michelin	Latitude Alpin HP



Tyre size	Make	Tread pattern
	Pirelli	Scorpion Ice & Snow
265/50 R 19 110V	Dunlop	Winter Sport 3D
	Pirelli	Scorpion Ice & Snow

51.32 Winter tyres Touareg hybrid from model year 2010

Observe the notes regarding the recommended makes of winter tyres ⇒ [page 492](#)

Tyre size	Make	Tread pattern
255/55 R 18 109V	Dunlop	Winter Sport 3D
	Michelin	Latitude Alpin HP
	Pirelli	Scorpion Ice & Snow
265/50 R 19 110V	Dunlop	Winter Sport 3D
	Pirelli	Scorpion Ice & Snow