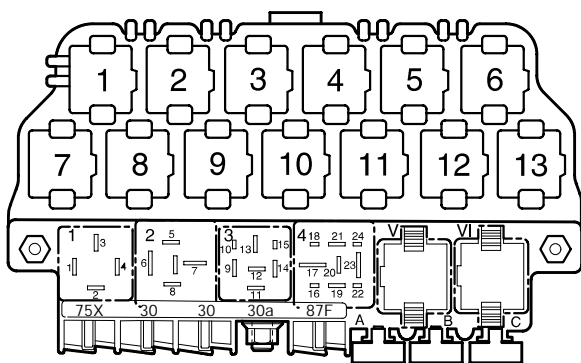


Heated seats

from October 2000

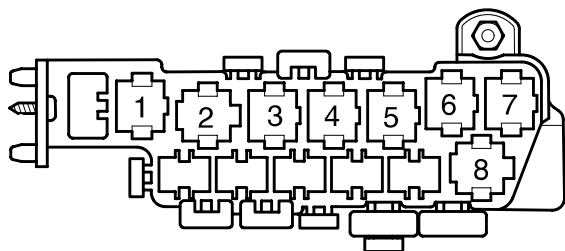
Deviate relay location and fuseplacements as well as the locations of multiple connectors see section "component locations".



97-20676

Relay location on the thirteen position auxiliary relay panel, above relay panel:

Relay panel:

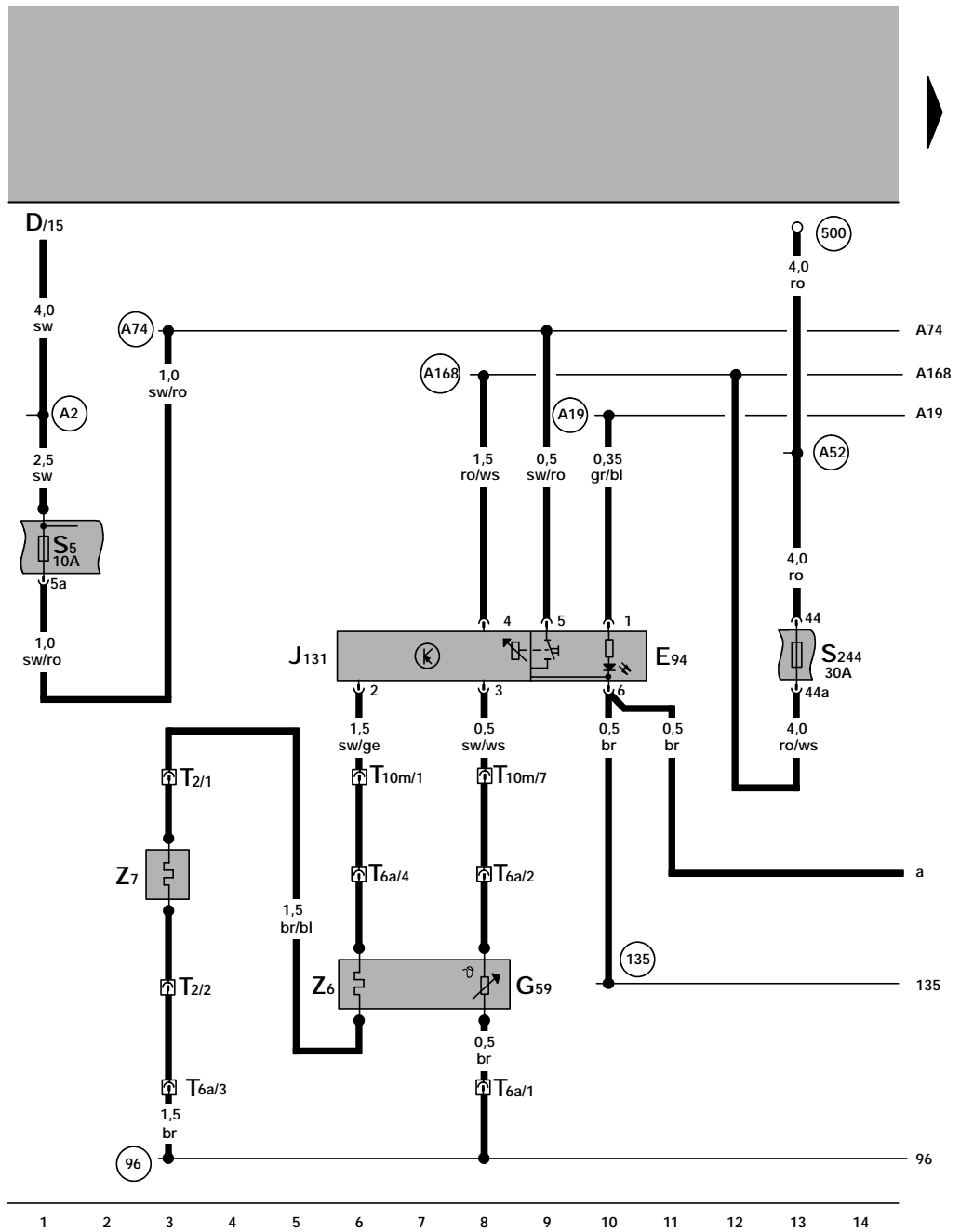


97-20515

Relay location on the eight position auxiliary relay panel, behind relay panel:

Note: Number in parentheses indicates production control number stamped on relay housing.

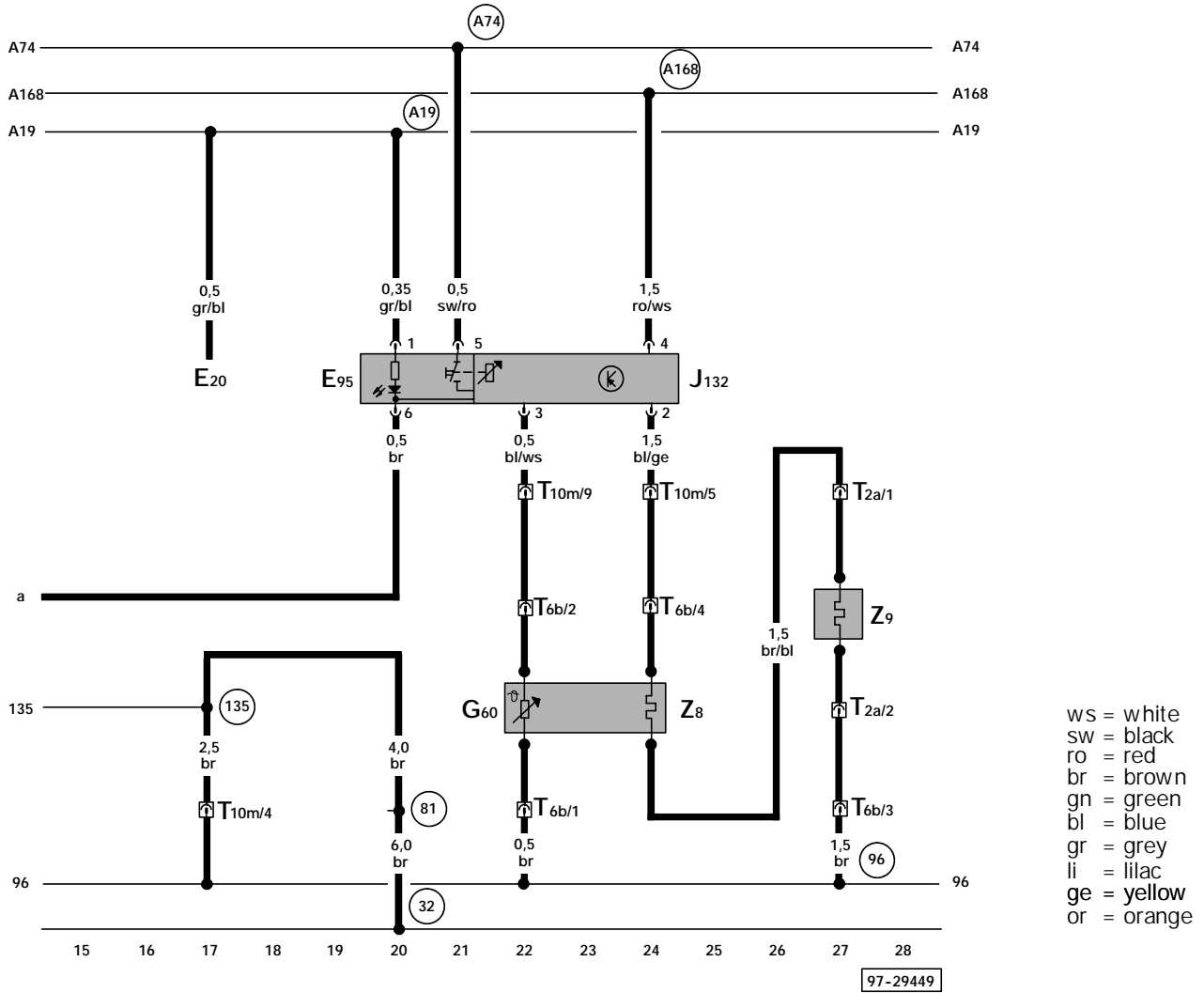
- Fuse colors
 30 A - green
 25 A - white
 20 A - yellow
 15 A - blue
 10 A - red
 7,5 A - brown
 5 A - beige



ws = white
 sw = black
 ro = red
 br = brown
 gn = green
 bl = blue
 gr = grey
 li = lilac
 ge = yellow
 or = orange

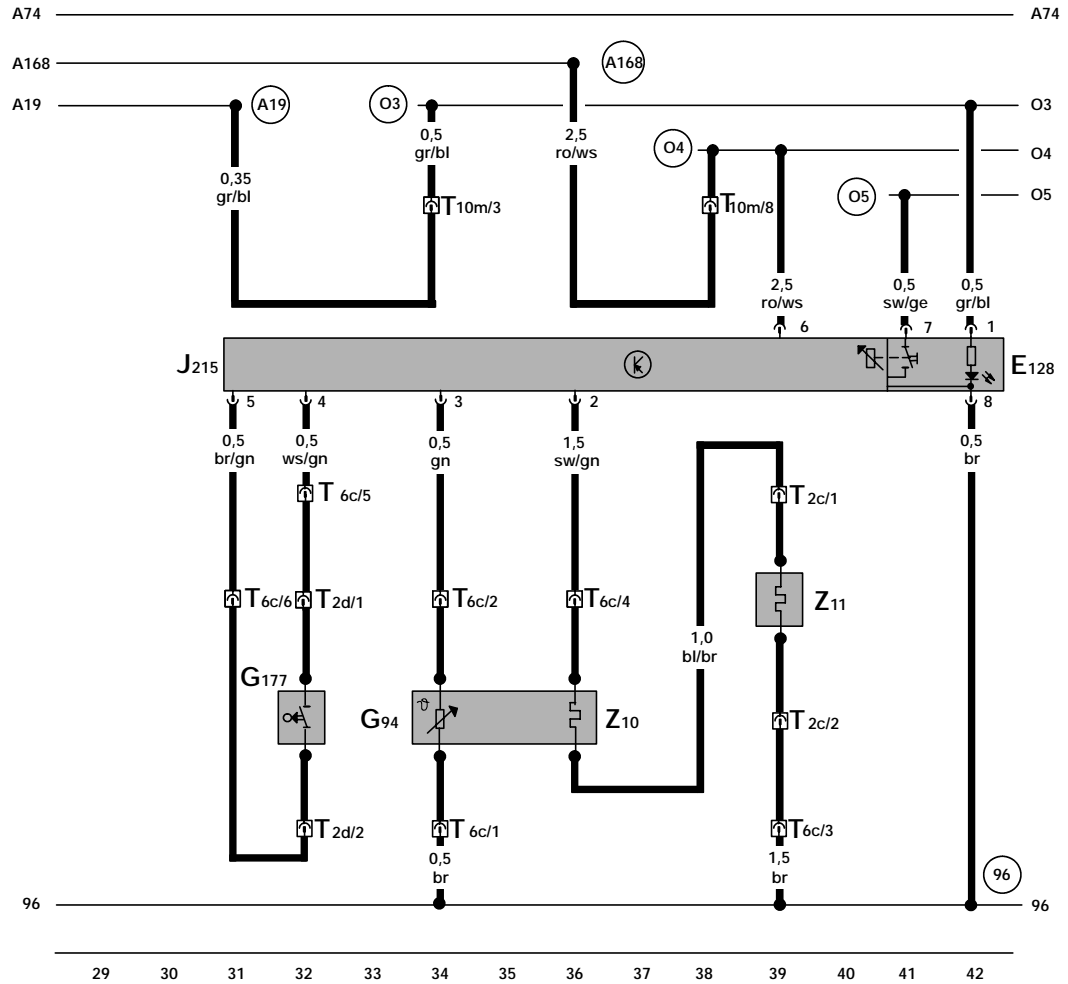
- D - Ignition/Starter Switch
- E94 - Adjuster for heated driver's seat
- G59 - Driver's Heated Seat Temperature Sensor
- J131 - Driver's Heated Seat Control Module
- S5 - Fuse
- S244 - Fuse in fuse holder
- T2 - Double Connector, under Driver's Heated Seat
- T6a - 6-Pin Connector, green
- T10m- 10-Pin Connector, brown, connector station, A-pillar, right
- Z6 - Driver's Seat Heating Element
- Z7 - Driver's Backrest Heating Element

- (96) - Ground connection -1-, in heated seats wiring harness
- (135) - Ground connection -2-, in instrument panel wiring harness
- (500) - Threaded connection -1-(30) on the relay plate
- (A2) - plus connection (15), in instrument panel wiring harness
- (A19) - wire connection (58d), in instrument panel wiring harness
- (A52) - Plus Connection 2 (30) (in instrument panel wiring harness)
- (A74) - Connector (15a - fuse 5) in instrument panel wiring harness
- (A168) - Plus Connection 4 (30a) (in instrument panel wiring harness)



- E20 - Instrument Panel Light Dimmer Switch
- E95 - Adjuster for heated passenger seat
- G60 - Passenger's Heated Seat Temperature Sensor
- J132 - Passenger's Heated Seat Control Module
- T2a - Double Connector, under Passenger's Heated Seat
- T6b - 6-Pin Connector, green
- T10m - 10-Pin Connector, brown, connector station, A-pillar, right
- Z8 - Passenger's Seat Heating Element
- Z9 - Passenger's Backrest Heating Element

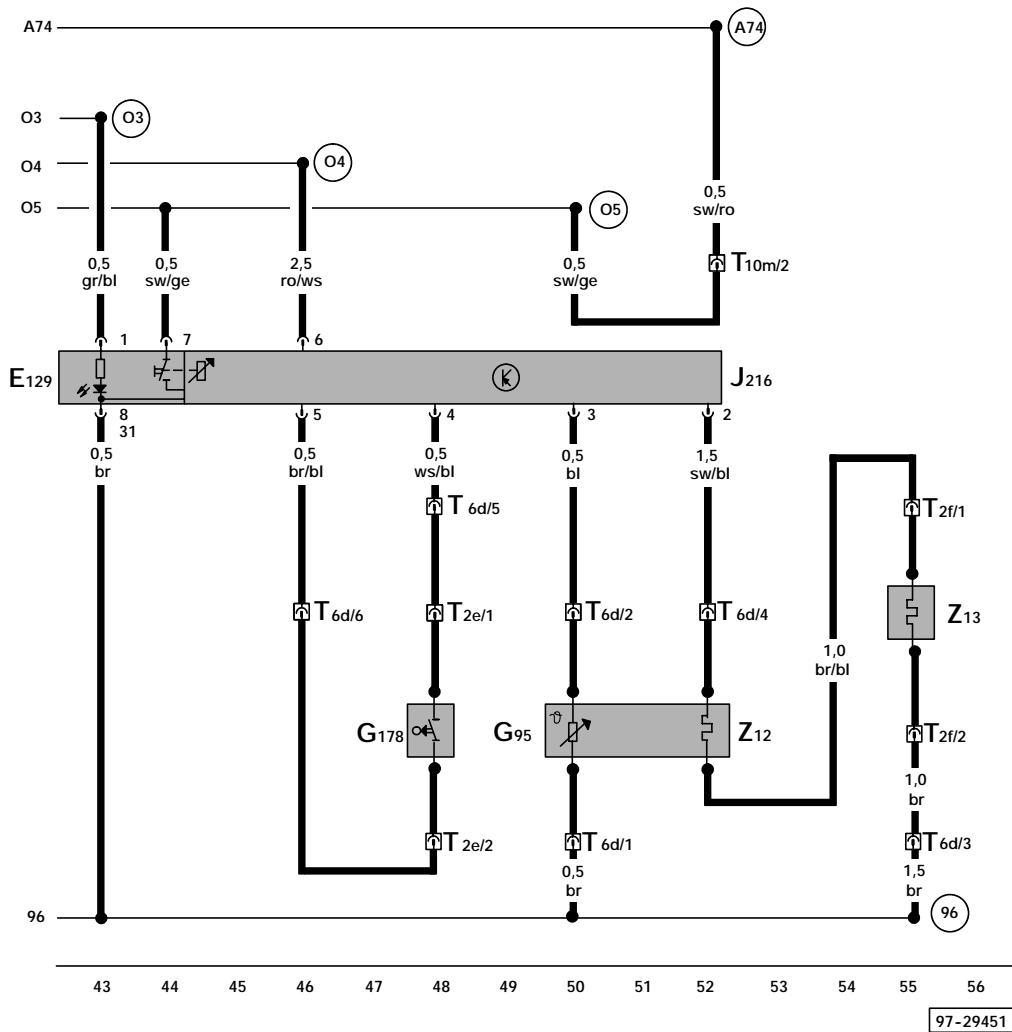
- (32) - Ground connection, behind instrument panel, left
- (81) - Ground connection -1-, in instrument panel wiring harness
- (96) - Ground connection -1-, in heated seats wiring harness
- (135) - Ground connection -2-, in instrument panel wiring harness
- (A19) - wire connection (58d), in instrument panel wiring harness
- (A74) - Connector (15a - fuse 5) in instrument panel wiring harness
- (A168) - Plus Connection 4 (30a) (in instrument panel wiring harness)



ws = white
 sw = black
 ro = red
 br = brown
 gn = green
 bl = blue
 gr = grey
 li = lilac
 ge = yellow
 or = orange

- E128 - Left Rear Heated Seat Regulating Switch
- G94 - Left Rear Heated Seat Temperature Sensor
- G177 - Sensor for occupied sensor seat, rear driver side
- J215 - Left Rear Heated Seat Control Module
- T2c - Double Connector
- T2d - Double Connector
- T6c - 6-Pin connector, green
- T10m- 10-Pin Connector, brown, connector station, A-pillar, right
- Z10 - Left Rear Seat Heating Element
- Z11 - Left Rear Backrest Heating Element

- (96) - Ground connection -1-, in heated seats wiring harness
- (A19) - wire connection (58d), in instrument panel wiring harness
- (A168) - Plus Connection 4 (30a) (in instrument panel wiring harness)
- (O3) - plus connection (58b), in heated seats wiring harness
- (O4) - plus connection (30 as), in heated seats wiring harness
- (O5) - wire connection -1- (15a), in heated seats wiring harness



ws = white
 sw = black
 ro = red
 br = brown
 gn = green
 bl = blue
 gr = grey
 li = lilac
 ge = yellow
 or = orange

- E129 - Right Rear Heated Seat Regulating Switch
- G95 - Left Rear Heated Seat Temperature Sensor
- G178 - Sensor for occupied seat, rear, passenger side
- J216 - Right Rear Heated Seat Control Module
- T2e - Double Connector
- T2f - Double Connector
- T6d - 6-Pin Connector, green
- T10m - 10-Pin Connector, brown, connector station, A-pillar, right
- Z12 - Right Rear Seat Heating Element
- Z13 - Right Rear Backrest Heating Element

- (96) - Ground connection -1-, in heated seats wiring harness
- (A74) - Connector (15a - fuse 5) in instrument panel wiring harness
- (O3) - plus connection (58b), in heated seats wiring harness
- (O4) - plus connection (30 as), in heated seats wiring harness
- (O5) - wire connection -1- (15a), in heated seats wiring harness