

Power seats and mirror adjustment with Memory,

from October 2000

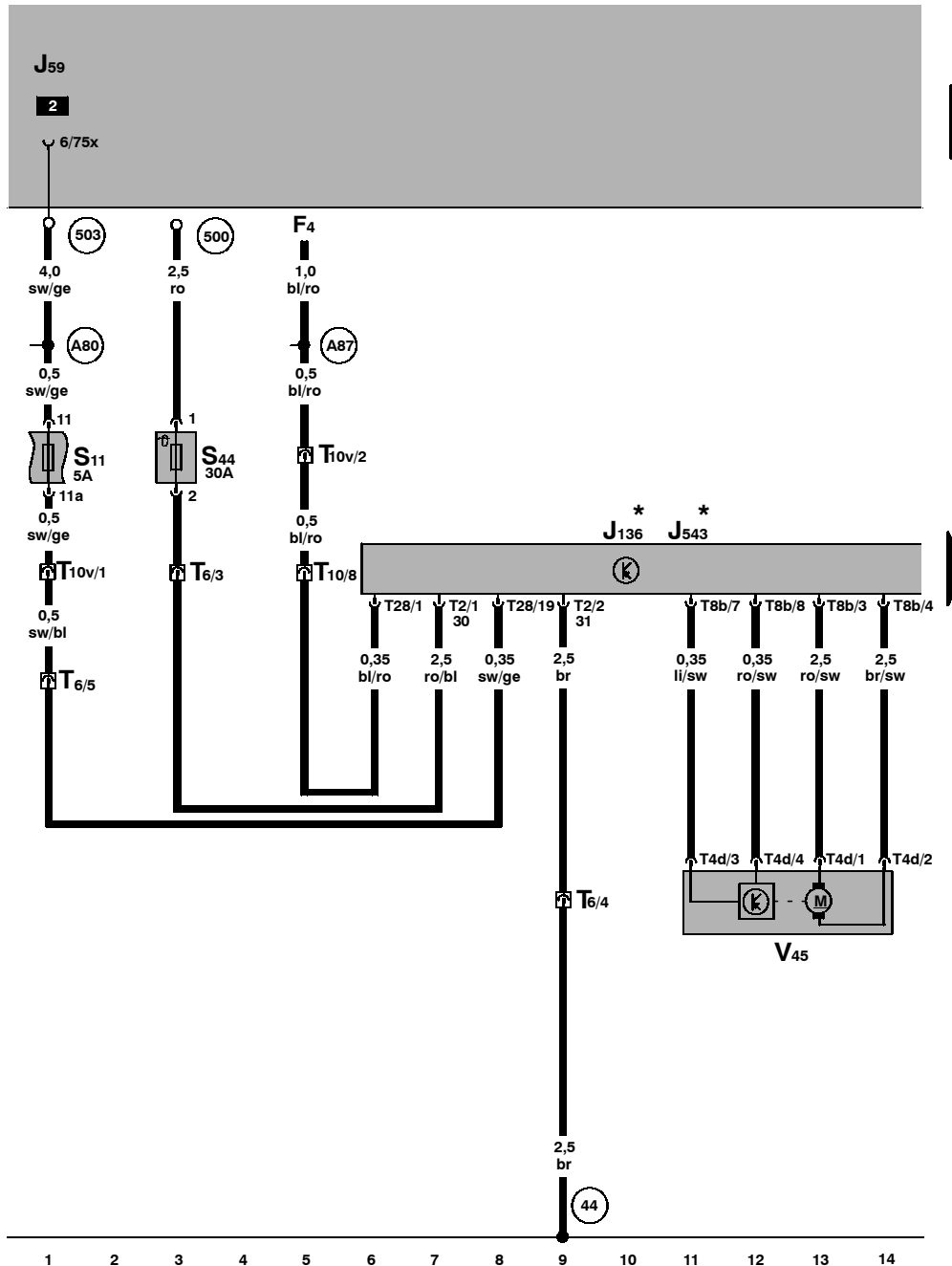
Notes:

Information for

- ◆ *Relay and fuse arrangements*
 - ◆ *Connector arrangements*
 - ◆ *Control Modules and Relays*
 - ◆ *Ground connections*
- ⇒ *Component Locations!*

Information for

- ◆ *Troubleshooting Procedures*
- ⇒ *Guided Fault Finding using VAS 5051/5052*



Memory Seat Control Module, Motor for seatback adjustment, driver seat

- F4 - Back-Up Light Switch
- J59 - Load Reduction Relay
- J136 - Memory Seat Control Module
- J543 - Driver's Seat/Mirror Position Control Module
- S11 - Fuse
- S44 - Power (Memory) Seat Circuit Breaker
- T2 - Double Connector
- T4d - 4-Pin Connector, black, on Motor for seatback adjustment, driver seat
- T6 - 6-Pin Connector, red
- T8b - 8-Pin Connector, on Memory Seat Control Module
- T10 - 10-Pin Connector, brown
- T10v - 10-Pin Connector, pink, on A-pillar, right
- T28 - 28-Pin Connector, on Memory Seat Control Module
- V45 - Motor for seatback adjustment, driver seat

- (44) - Ground connection, on left A-pillar, lower part
- (500) - Threaded connection -1- (30) on the relay plate
- (503) - Bolted Connection (75x) (at relay panel)
- (A80) - Connection -1- (X) in instrument panel wiring harness
- (A87) - Connection (reverse lamp), in instrument panel wiring harness

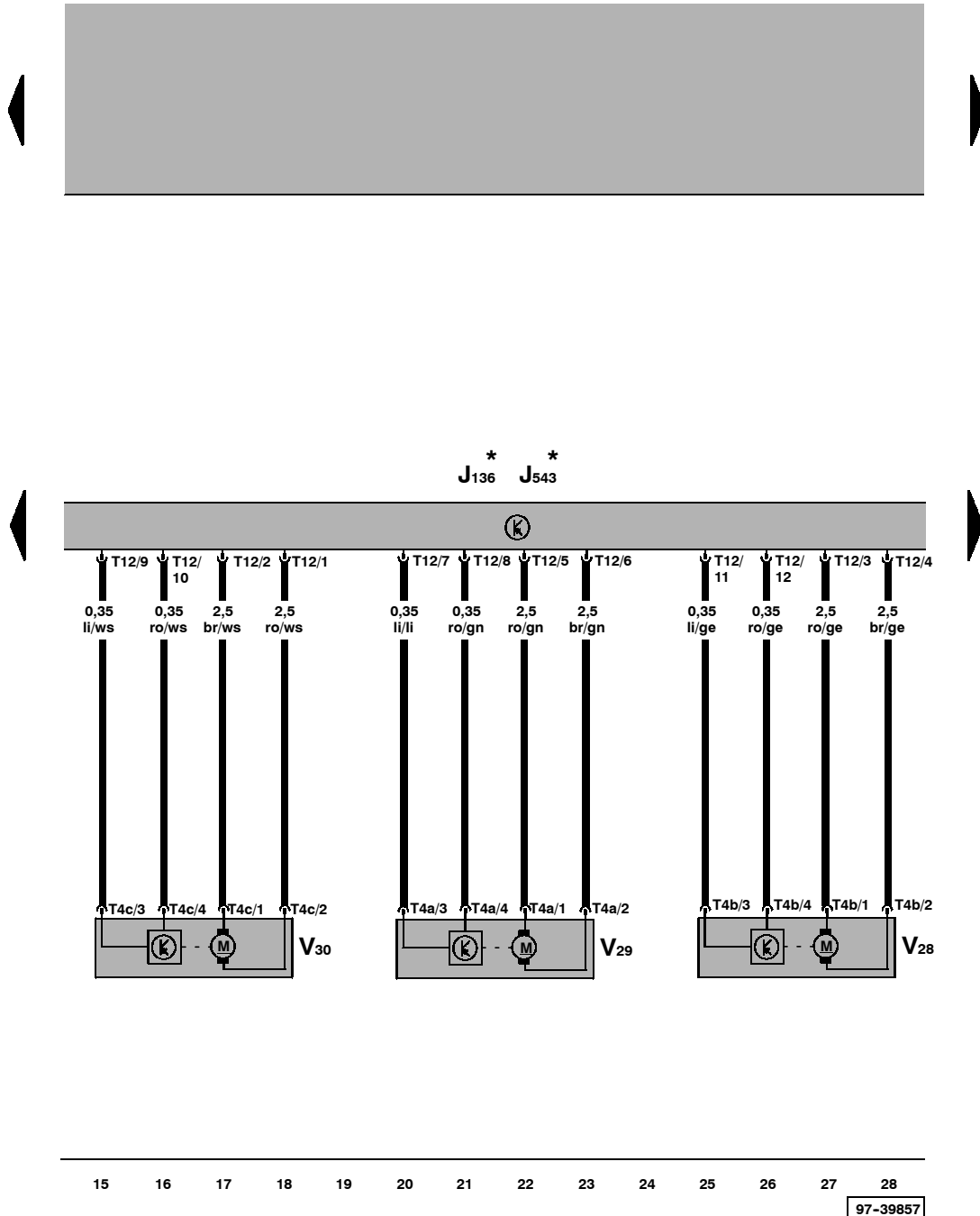
* - dependent on software

ws = white
 sw = black
 ro = red
 br = brown
 gn = green
 bl = blue
 gr = grey
 li = lilac
 ge = yellow
 or = orange

Memory Seat Control Module, Motor for front and rear height adjustment, driver seat, Driver's seat fore/aft adjusting motor

- J136 - Memory Seat Control Module
- J543 - Driver's Seat/Mirror Position Control Module
- T4a - 4-Pin Connector, black, on Motor for front height adjustment, driver seat
- T4b - 4-Pin Connector, black, on Driver's seat fore/aft adjusting motor
- T4c - 4-Pin Connector, black, on Motor for rear height adjustment, driver seat
- T12 - 12-Pin Connector, black, on Memory Seat Control Module
- V28 - Driver's seat fore/aft adjusting motor
- V29 - Motor for front height adjustment, driver seat
- V30 - Motor for rear height adjustment, driver seat

* - dependent on software

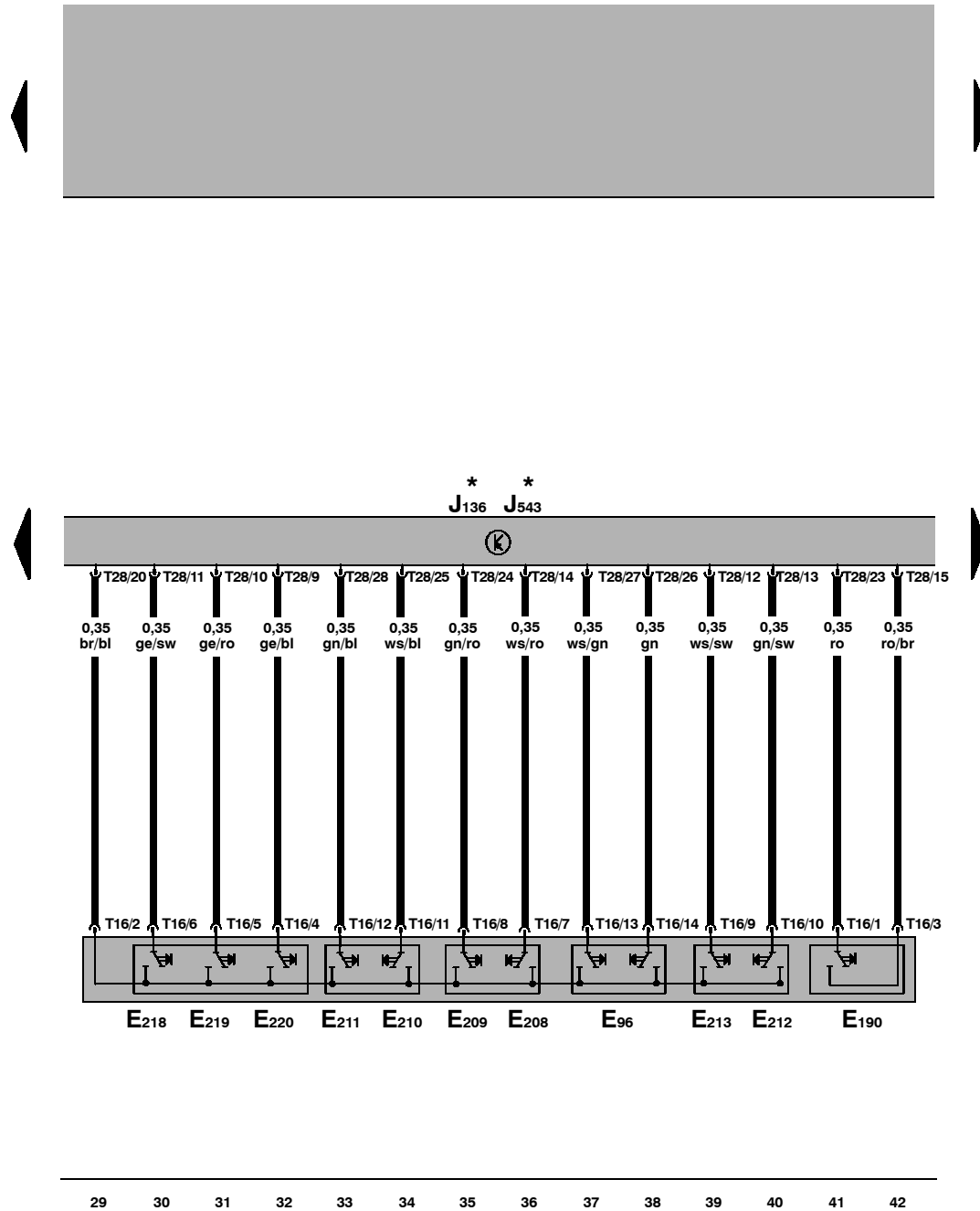


ws = white
 sw = black
 ro = red
 br = brown
 gn = green
 bl = blue
 gr = grey
 li = lilac
 ge = yellow
 or = orange

Memory Seat Control Module, Buttons for driver, memory seat, Button for front, rear and length adjustment

- E96 - Driver's Backrest Adjustment Switch
- E190 - Seat Memory Lock-out Button
- E208 - Button for front height adjustment, upwards, driver seat
- E209 - Button for front height adjustment, downwards, driver seat
- E210 - Button for rear height adjustment, upwards, driver seat
- E211 - Button for rear height adjustment, downwards, driver seat
- E212 - Button for length adjustment, forward, driver seat
- E213 - Button for length adjustment, backward, driver seat
- E218 - Button for driver 1, memory seat
- E219 - Button for driver 2, memory seat
- E220 - Button for driver 3, memory seat
- J136 - Memory Seat Control Module
- J543 - Driver's Seat/Mirror Position Control Module
- T16 - 16-Pin Connector, black
- T28 - 28-Pin Connector, on Memory Seat Control Module

* - dependent on software

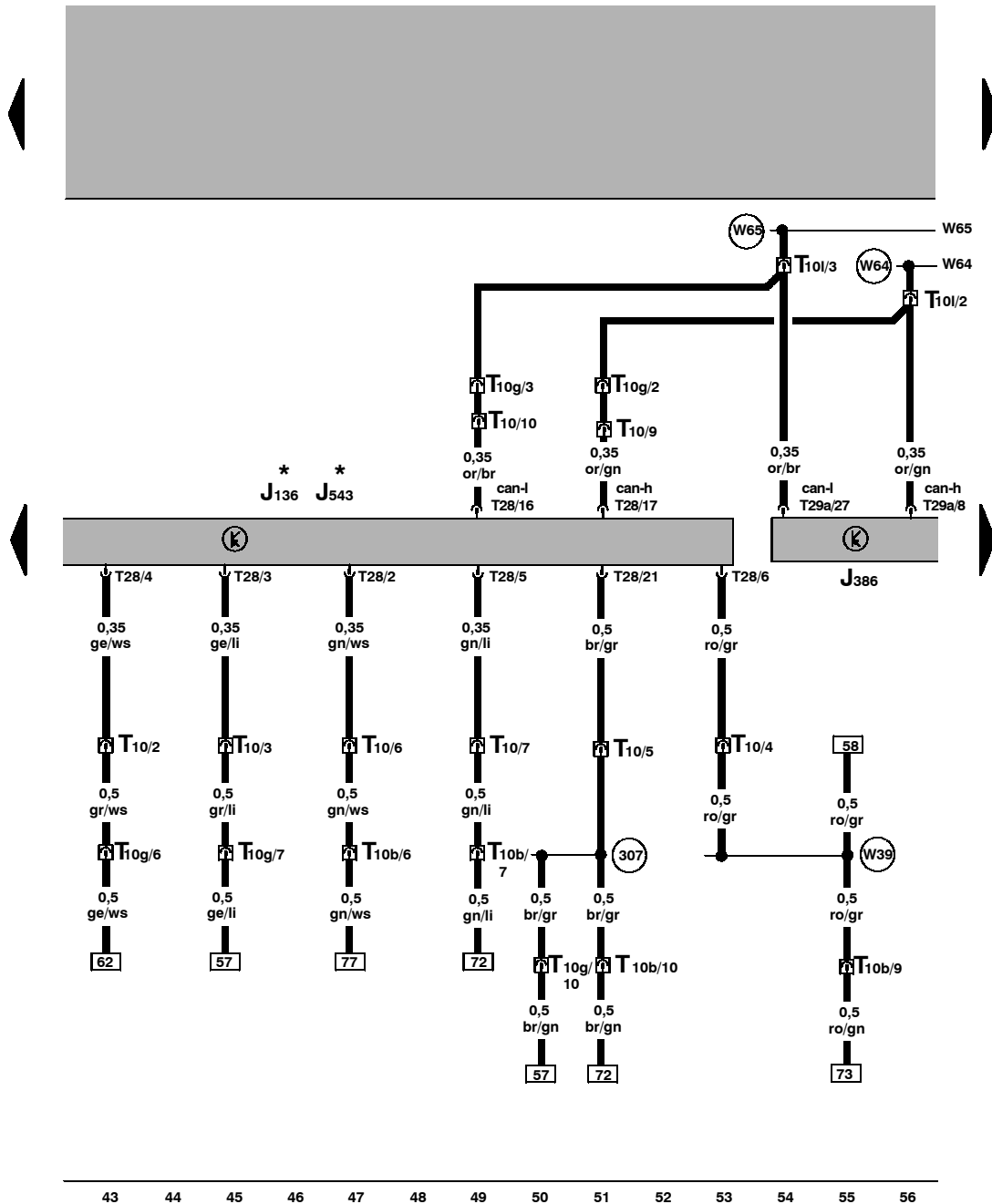


Memory Seat Control Module, Door control module, driver side

- J136 - Memory Seat Control Module
- J543 - Driver's Seat/Mirror Position Control Module
- J386 - Door control module, driver side
- T10 - 1-Pin Connector, brown, under driver's seat
- T10b - 10-Pin Connector, green, connector station A-pillar, right
- T10g - 10-Pin Connector, grey, connector station A-pillar, left
- T10l - 10-Pin Connector, black
- T28 - 28-Pin Connector, on Memory Seat Control Module
- T29a - 29-Pin Connector, on Door control module, driver side

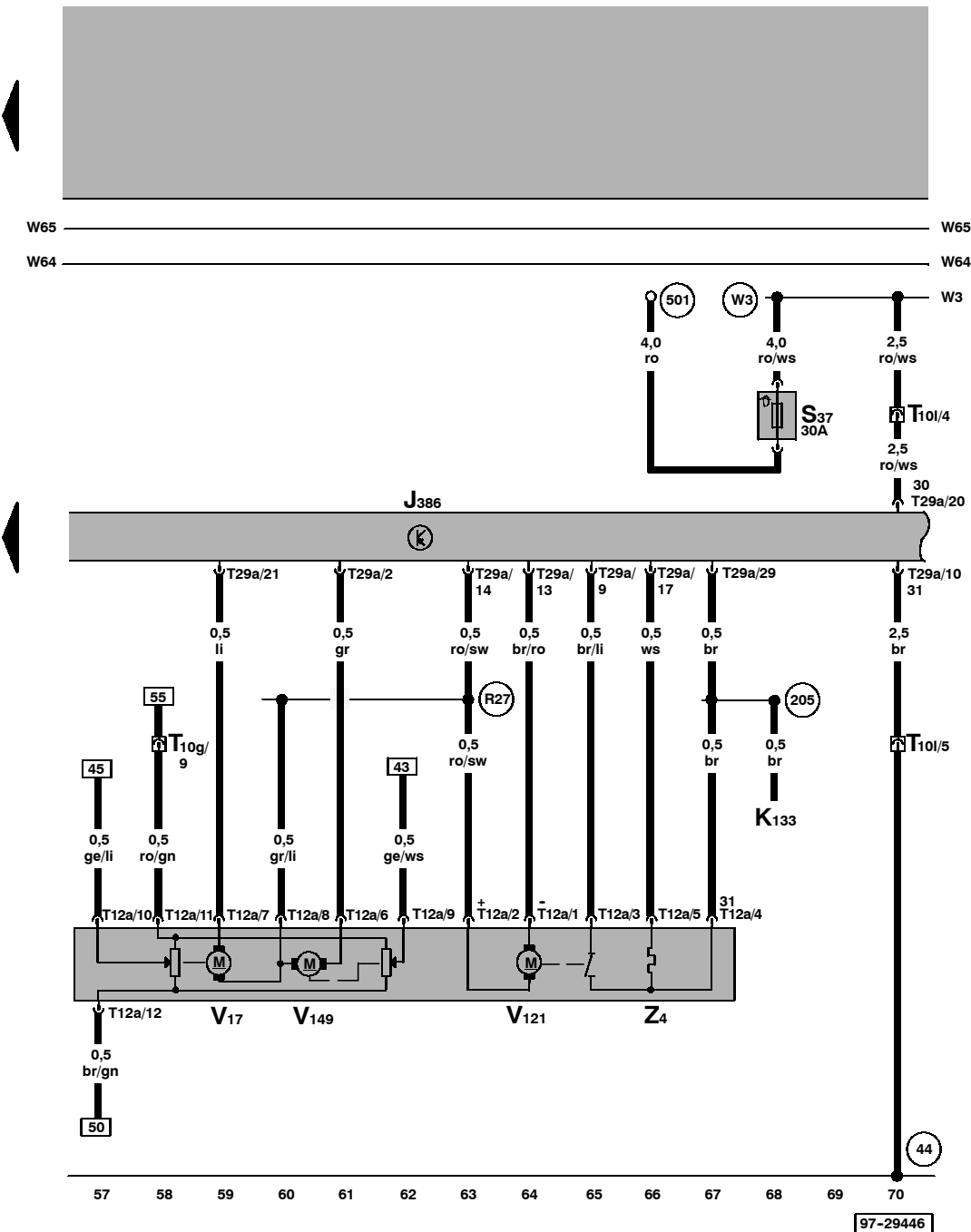
- (307) - Ground Connection for Sensor (floor wiring harness)
- (W39) - Connection for Mirror Memory (floor wiring harness)
- (W64) - CAN-Bus High Connection - Convenience (in floor wiring harness)
- (W65) - CAN-Bus Low Connection - Convenience (in floor wiring harness)

* - dependent on software



ws = white
 sw = black
 ro = red
 br = brown
 gn = green
 bl = blue
 gr = grey
 li = lilac
 ge = yellow
 or = orange

Door Control module, driver side, Motor for fold-in mirror, Motor for mirror, Heated outside mirror, driver side

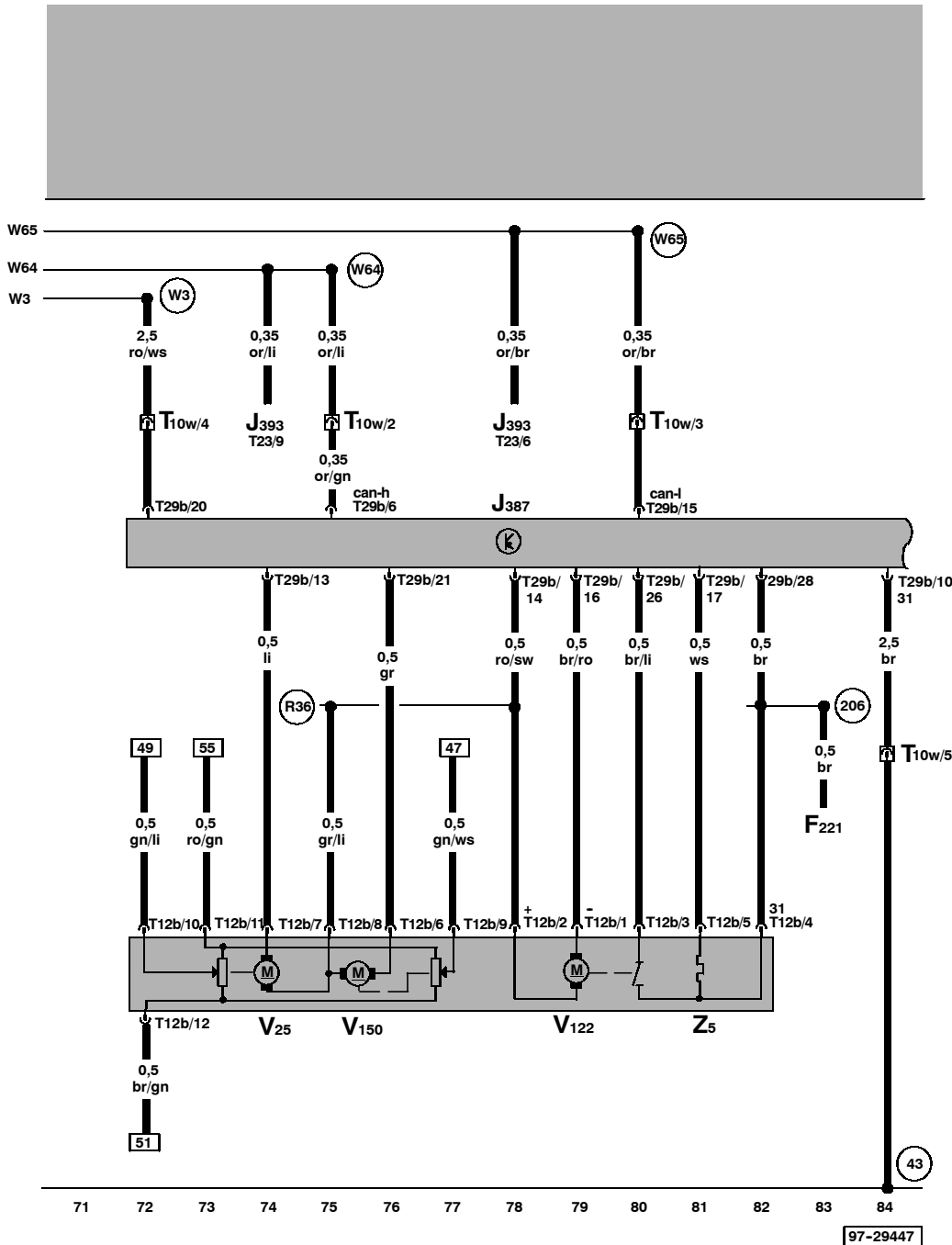


- J386 - Door control module, driver side
- K133 - Warning light for central locking -SAFE-
- S37 - Power Window Fuse
- T10g - 10-Pin Connector, grey, connector station A-pillar, left
- T10l - 10-Pin Connector, black
- T12a - 12-Pin Connector, black
- T29a - 29-Pin Connector, on Door control module, driver side
- V17 - Driver's Side Mirror Adjustment Motor
- V121 - Motor for fold-in mirror, driver side
- V149 - Motor for mirror adjustment, driver side
- Z4 - Heated outside mirror, driver side

- (44) - Ground connection, on left A-pillar, lower part
- (205) - Ground connection, in driver's door wiring harness
- (501) - Threaded connection -2- (30) on the relay plate
- (R27) - wire connection (power mirror), in driver's door wiring harness
- (W3) - wire connection, in rear wiring harness

ws = white
 sw = black
 ro = red
 br = brown
 gn = green
 bl = blue
 gr = grey
 li = lilac
 ge = yellow
 or = orange

Door control module, passenger side, Motor for fold-in mirror , Motor for mirror, Heated outside mirror, passenger side



- F221 - Lock unit for central locking, passenger side
- J387 - Door control module, passenger side
- J393 - Central control module for comfort system
- T10w- 10-Pin Connector, black, connector station A-pillar, right
- T12b - 12-Pin Connector, black
- T23 - 23-Pin Connector
- T29b - 29-Pin Connector, on Door control module, passenger side
- V25 - Passenger's Side Mirror Adjustment Motor
- V122 - Motor for fold-in mirror, passenger side
- V150 - Motor for mirror adjustment, passenger side
- Z5 - Heated outside mirror, passenger side

- (43) - Ground connection, on right A-pillar, lower part
- (206) - Ground connection, in passenger's door wiring harness
- (R36) - Connection (mirror adjustment) in door wiring harness, passenger side
- (W3) - wire connection, in rear wiring harness
- (W64) - CAN-Bus High Connection - Convenience (in floor wiring harness)
- (W65) - CAN-Bus Low Connection - Convenience (in floor wiring harness)

ws = white
 sw = black
 ro = red
 br = brown
 gn = green
 bl = blue
 gr = grey
 li = lilac
 ge = yellow
 or = orange