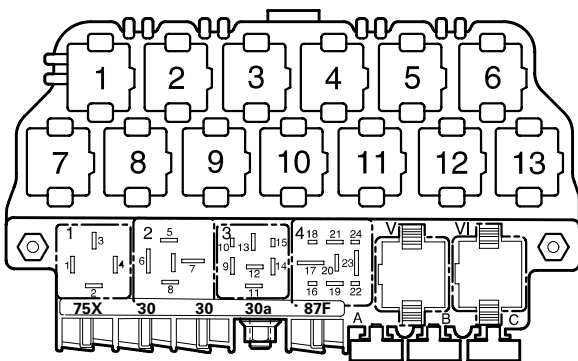


Automatic day/night interior mirror,

Rainsensor

from August 1998

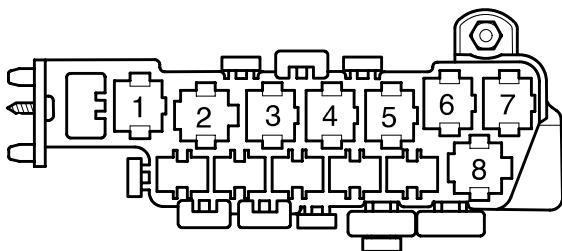
Deviate relay location and fuseplacements as well as the locations of multiple connectors see section "component locations".



97-20676

Relay location on the thirteenfold auxiliary relay panel, above relay panel:

Relay panel:

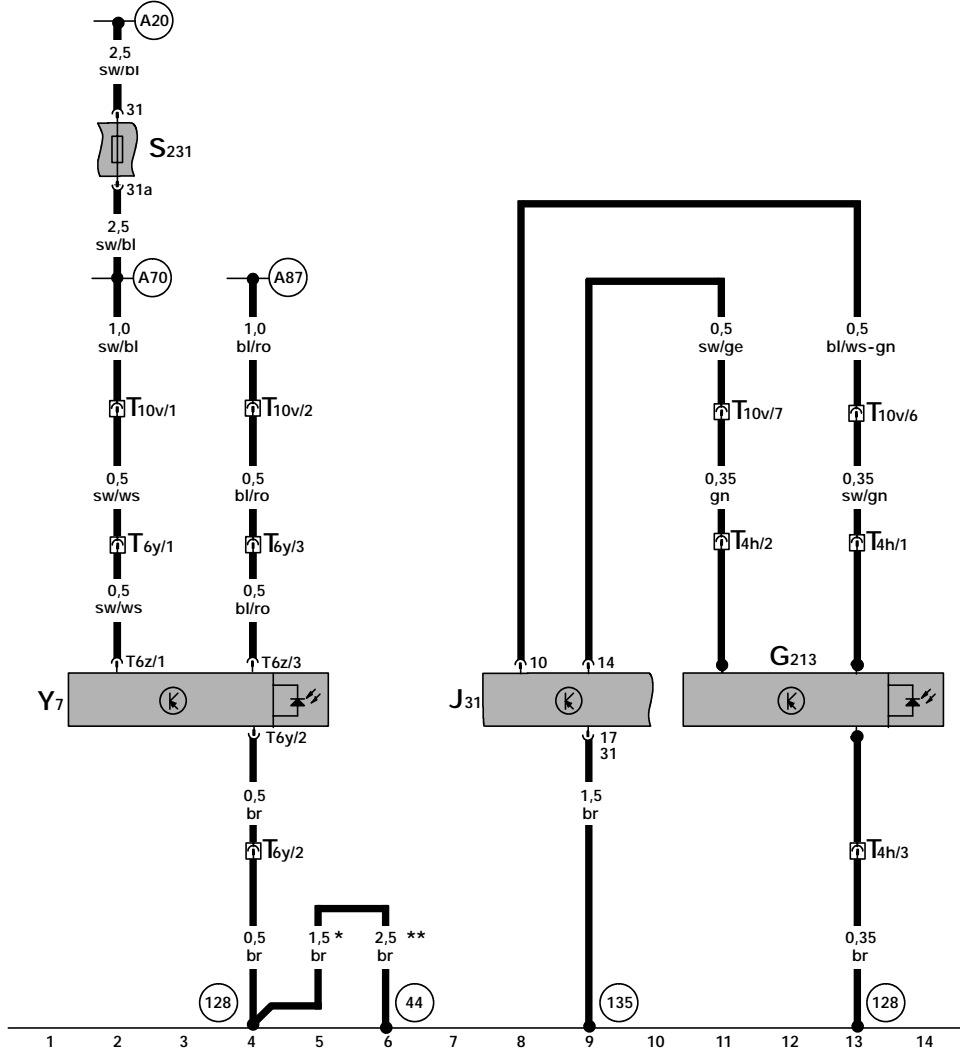


97-20515

Relay location on the eightfold auxiliary relay panel, behind relay panel:

Fuse colors

30 A - green
 25 A - white
 20 A - yellow
 15 A - blue
 10 A - red
 7,5 A - brown
 5 A - beige



ws = white
 sw = black
 ro = red
 br = brown
 gn = green
 bl = blue
 gr = grey
 li = violet
 ge = yellow

97-22927

- G213 - Rainsensor (on automatic day/night interior mirror)
- J31 - Wiper/Washer Intermittent Relay
- S231 - Fuse 31 in fuse holder
- T4h - 4-Pin Connector, black, near mirror under the roof
- T6y - 6-Pin Connector, black, near mirror under the roof
- T6z - 6-Pin Connector
- T10v - 6-Pin Connector, green, connector station A-pillar, left
- Y7 - Automatic day/night interior mirror
- (44) - Ground connection, on left A-pillar, lower part
- (128) - Ground connection -1-, in interior light wiring harness

- (135) - Ground connection -2-, in instrument panel wiring harness
- (A20) - wire conection (15a), in instrument panel wiring harness
- (A70) - Connector (15a, fuse 231) , in instrument panel wiring harness
- (A87) - Connector (reverse lamp), im instrument panel wiring harness

* - valid for vehicles without sunroof
 ** - valid for vehicles equipped with sunroof