

Instrument panel

Instrument panel, removing and installing

CAUTION!

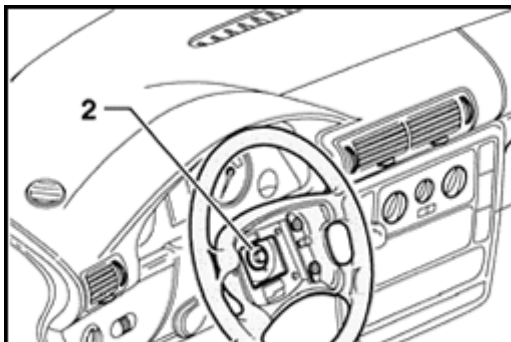
Before working on the electrical system; disconnect battery Ground (GND) strap.

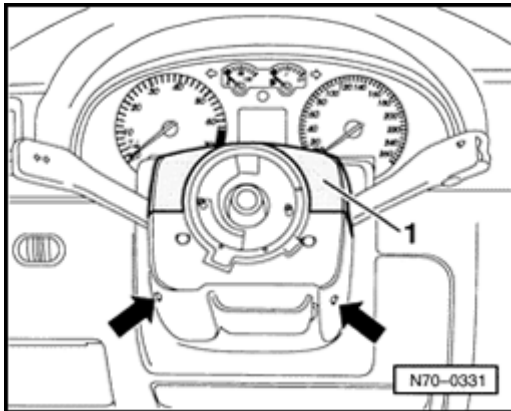
Removing

Note:

Before disconnecting the battery, obtain radio anti-theft code.

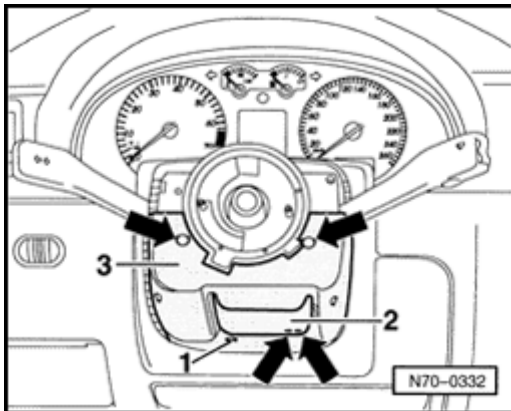
- Remove center console ⇒ [page 68-10](#) .
- Remove airbag unit driver side ⇒ [page 69-38](#) .
- A** - Remove hex head bolt -2- (60 Nm - must be replaced).
- Place steering wheel-1- in center position (wheels straight ahead).
- Remove steering wheel -1- from steering column.





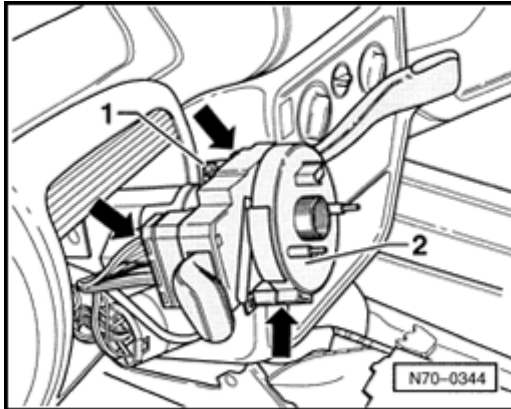
A

- Unscrew two Phillips-head screws (arrows)
- Remove upper trim for steering column switch -1-



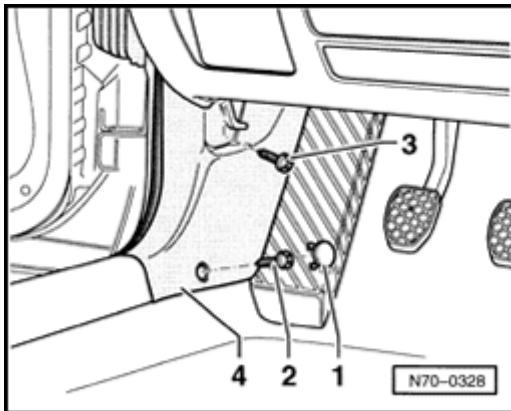
A

- Unscrew four Phillips-head screws (arrows)
- Unscrew inner hex head bolts -1-
- Release height adjustment for steering wheel -2-
- Remove lower trim for steering column switch -3-



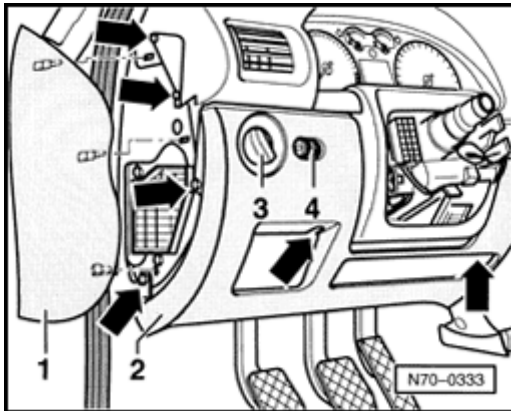
A

- Loosen inner hex head bolt -1-.
- Remove connectors (arrows) from steering column switch.
- Remove steering column switch



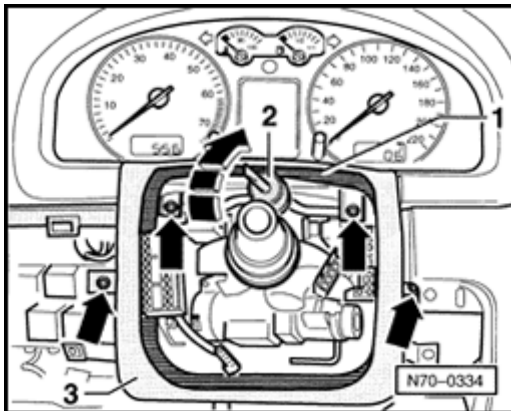
A

- Pry off cover cap -1-
- Unscrew bolts -2- and -3-.
- Unclip lower A-pillar trim -4- from sill plate and remove.



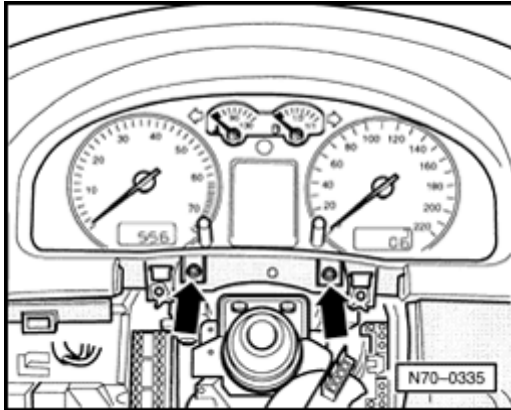
A

- Unclip -1- cover.
- Unscrew bolts (arrows).
- Remove shelf driver side -2-.
- Remove connector from light switch -3- and from adjuster for automatic vertical aim control system -4-.



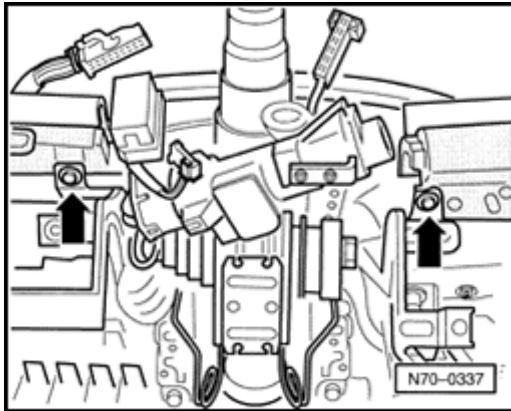
A

- Slide cover -1- upward and secure with tooling aid (e.g. screwdriver handle) -2-.
- Remove four screws (arrows).
- Remove cover -3-.



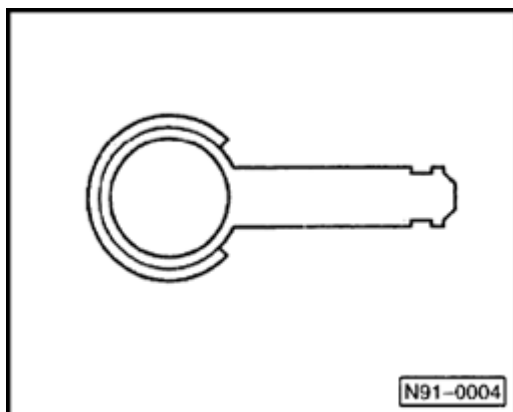
A

- Remove two bolts (arrows)
- Remove instrument cluster.
- Disconnect connector.



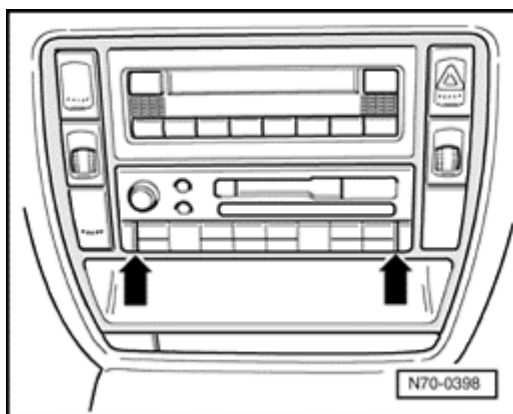
A

- Remove two bolts (arrows)

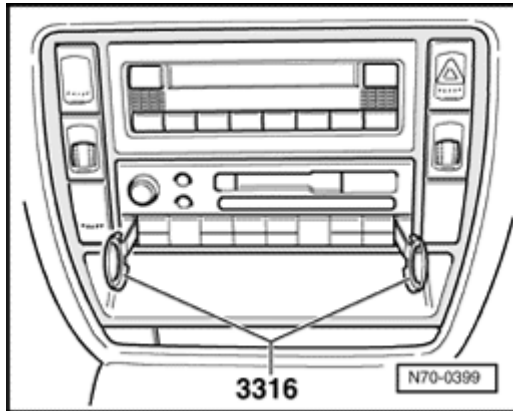


▲ For the removal of the radio use tool for radio 3316.

The unlocking tool for radio 3316 consists of two similar individual parts.



▲ - Insert unlocking tool for radio 3316 in the slot (arrows) until it unlocks

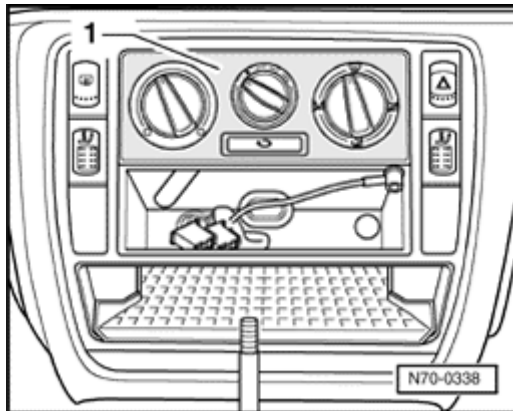


A

- Remove radio at handles of tool from instrument panel.

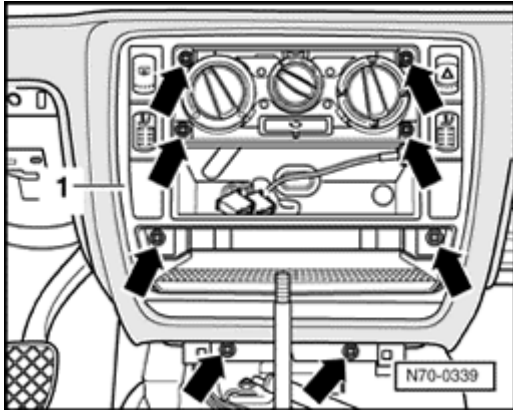
Notes:

- ◆ *Release tool for radio 3316 should not be pushed to the side or tilted.*
- ◆ *To remove the tool the side tabs on the radio must be pressed inward.*
- Remove connector.

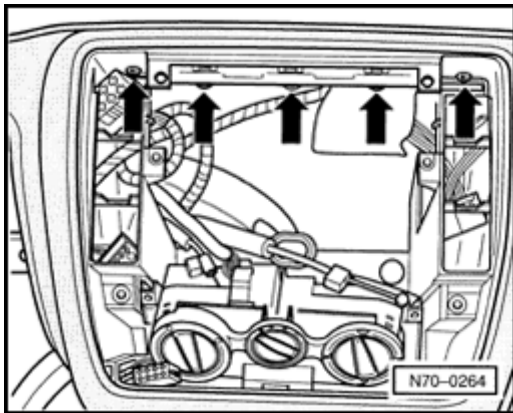


A

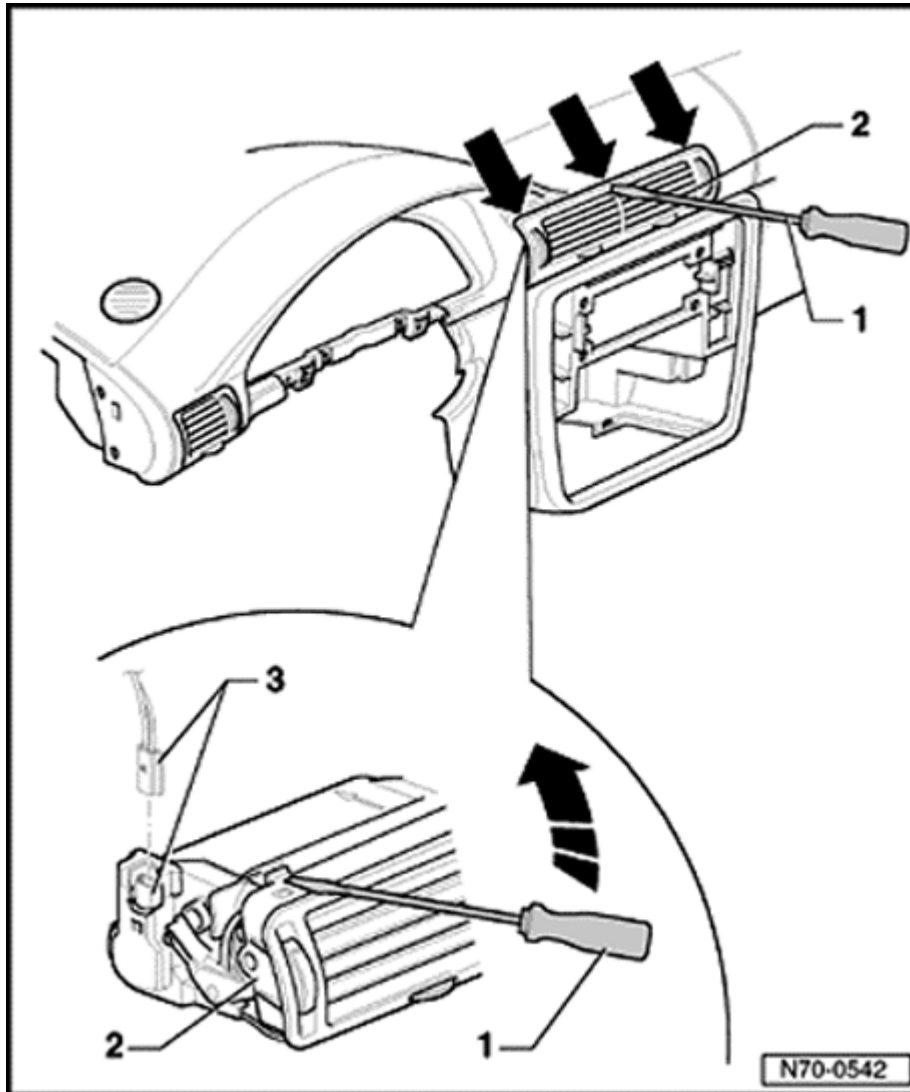
- Unclip -1- trim.



- A
- Unscrew eight bolts (arrows)
- Remove cover dash panel center cover -1- and take out connector.

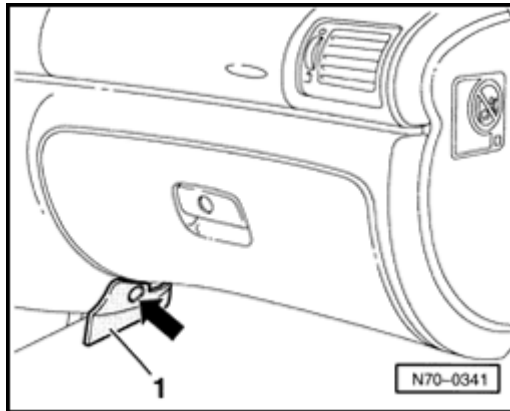


- A
- Remove five screws (arrows).

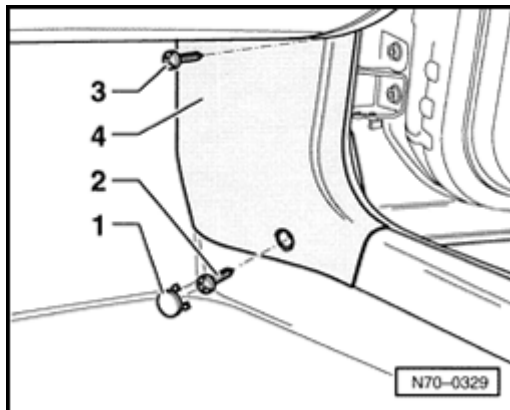
**Note:**

If reinstalling the same dash panel, disconnect connector -3- and leave outlets -2- and wiring installed.

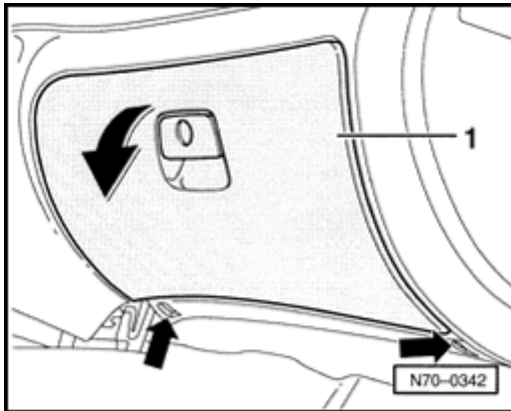
- With a flat screwdriver -1- release three clips (arrows).
- Maintain tension of outlets -2-, in order to avoid clips from locking again.
- Remove outlets -2- from dash panel and disconnect connector -3-.



- A
- Unscrew bolt (arrow)
 - Remove trim -1-.

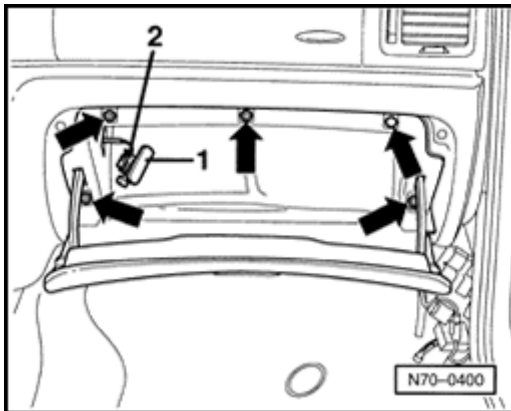


- A
- Pry off cover cap -1-
 - Remove screws -2- and -3-.
 - Unclip lower A-pillar trim passenger side -4- from sill plate and remove.



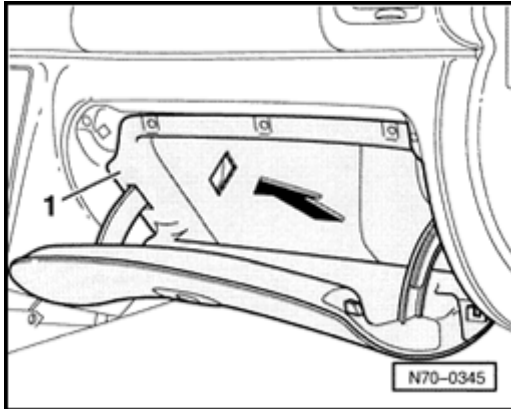
A

- Unscrew bolts (arrows)
- Open glove compartment -1-.

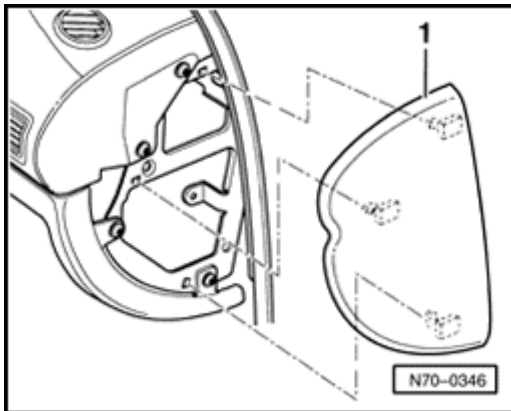


A

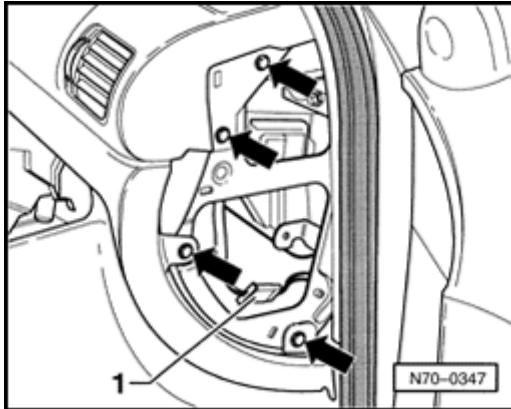
- Unscrew bolts (arrows)
- Carefully pry out light for glove compartment -1- with a screwdriver, from the top and remove connector -2-.



- A - Remove glove compartment liner -1- from instrument panel.



- A - Pry off cover -1-.



A

- Unscrew hex bolts (arrows).
- Disconnect connector -1-.
- Lift out instrument panel

Installing

- Install in reverse order of removal.

Notes:

- ◆ *After disconnecting the battery make sure that the vehicle equipment (radio, clock and power window regulators) are checked according to repair manual and/or operating instructions.*
- ◆ *If warning light (K75) for airbag signals a malfunction after assembly, erase DTC memory with Scan Tool V.A.G 1551 and check again.*

⇒ [Repair Manual, Body On Board Diagnostic \(OBD\), Repair Group 01](#)